



Slides

5.1 Standard Slides

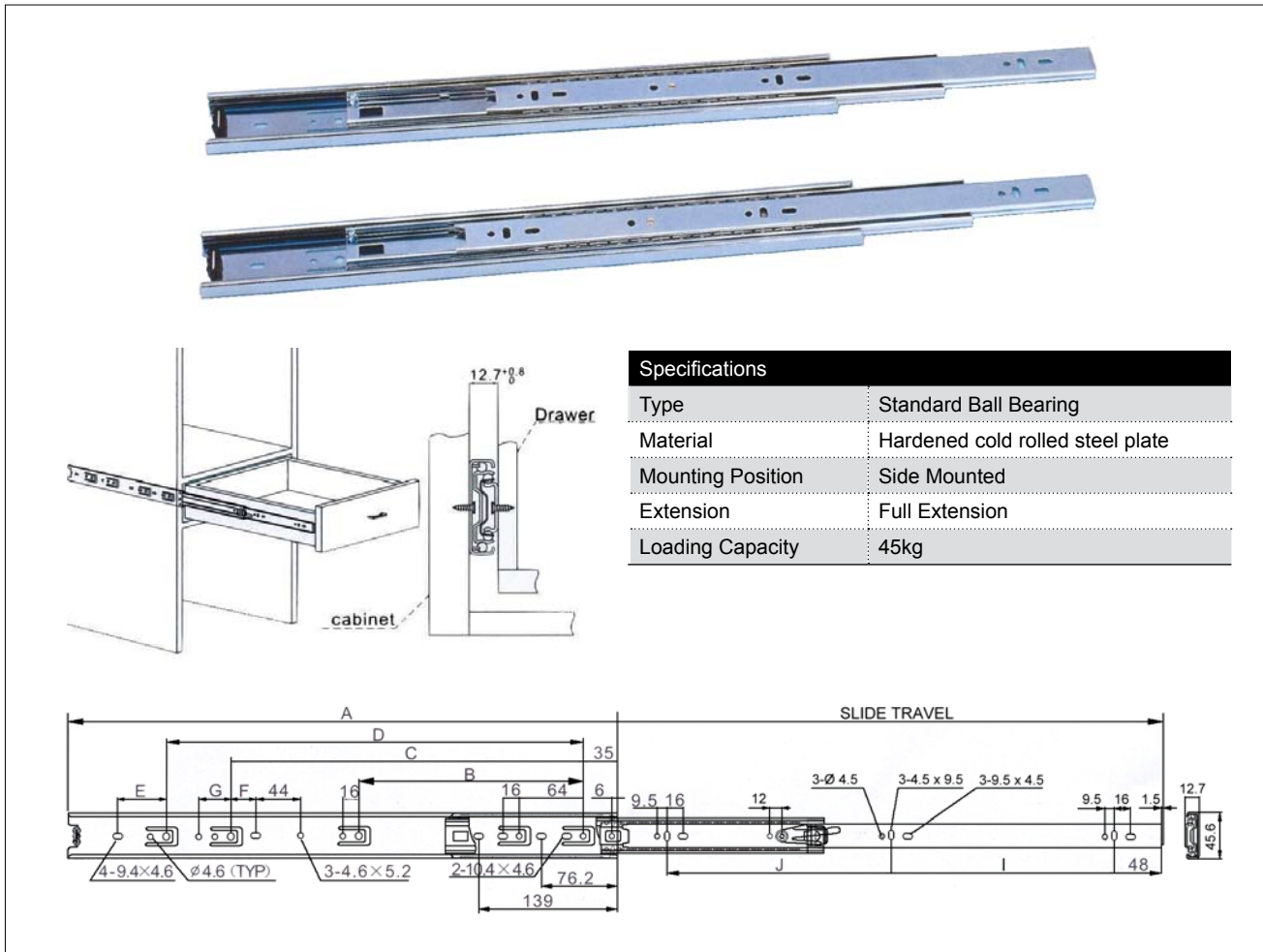
5.2 Soft Closing Slides

5.3 Pocket Drawer Slides

5.4 Metal-Sided Drawer Slides

5.1 Standard Slides

45kg - Side Mounted Full Extension Slide (formerly 4501)



Specifications

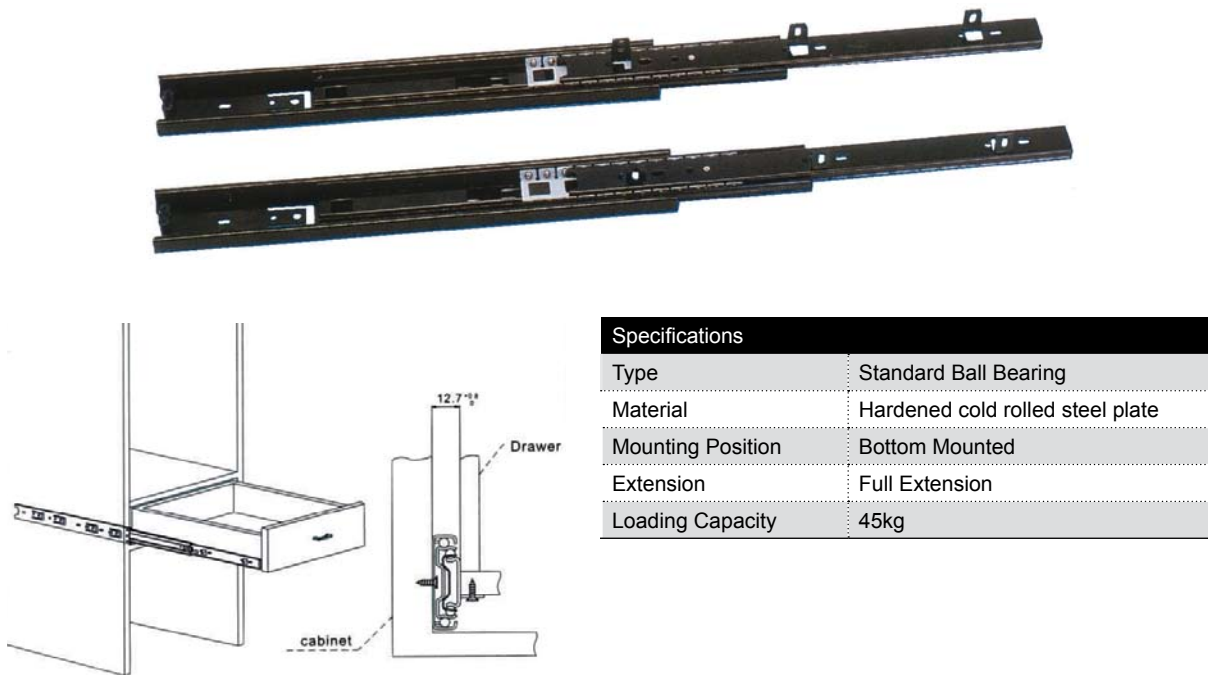
| | |
|-------------------|----------------------------------|
| Type | Standard Ball Bearing |
| Material | Hardened cold rolled steel plate |
| Mounting Position | Side Mounted |
| Extension | Full Extension |
| Loading Capacity | 45kg |

Fastening Position for Cabinet Member

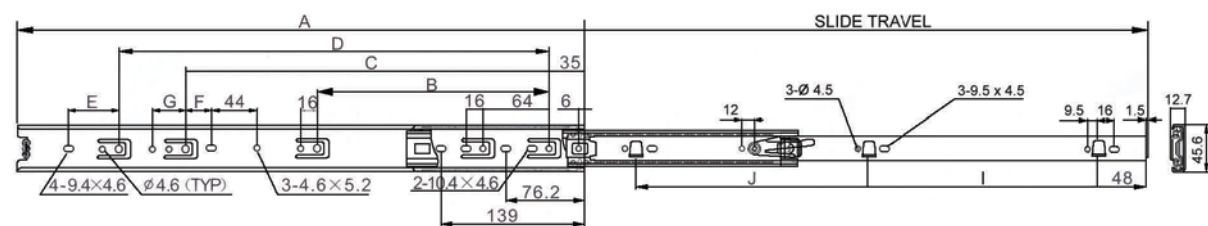
| Item No. | Length A | Slide Travel | A | B | C | D | E | F | I | J |
|---------------|-------------|--------------|-----|-----|-----|----|------|----|-----|-----|
| SD01-250 ZP | 250 | 250 | 148 | - | - | - | - | - | 176 | - |
| SD01-300 ZP | 300 | 300 | 224 | - | - | - | - | - | 96 | 128 |
| SD01-350 ZP | 350 | 350 | 224 | 288 | - | 50 | - | - | 128 | 128 |
| SD01-400 ZP | 400 | 400 | 224 | 352 | - | 50 | - | - | 160 | 160 |
| SD01-450 ZP | 450 | 450 | 224 | 352 | - | - | 25.4 | 32 | 160 | 192 |
| SD01-500 ZP | 500 | 500 | 224 | 352 | 416 | - | 25.4 | 32 | 192 | 224 |
| SD01-550 ZP | 550 | 550 | 224 | 352 | 416 | 50 | 25.4 | 32 | 224 | 224 |
| SD01-600 ZP | 600 | 600 | 224 | 352 | 480 | 50 | 25.4 | 32 | 256 | 256 |
| SD01-700 ZP | 700 | 700 | 224 | 352 | 544 | 50 | 25.4 | 32 | 288 | 288 |
| SD01-800 ZP | 800 | 800 | 224 | 352 | 544 | 50 | 25.4 | 32 | 288 | 288 |
| Finish | Zinc Plated | | | | | | | | | |
| SD01-250 BZ | 250 | 250 | 148 | - | - | - | - | - | 176 | - |
| SD01-300 BZ | 300 | 300 | 224 | - | - | - | - | - | 96 | 128 |
| SD01-350 BZ | 350 | 350 | 224 | 288 | - | 50 | - | - | 128 | 128 |
| SD01-400 BZ | 400 | 400 | 224 | 352 | - | 50 | - | - | 160 | 160 |
| SD01-450 BZ | 450 | 450 | 224 | 352 | - | - | 25.4 | 32 | 160 | 192 |
| SD01-500 BZ | 500 | 500 | 224 | 352 | 416 | - | 25.4 | 32 | 192 | 224 |
| SD01-550 BZ | 550 | 550 | 224 | 352 | 416 | 50 | 25.4 | 32 | 224 | 224 |
| SD01-600 BZ | 600 | 600 | 224 | 352 | 480 | 50 | 25.4 | 32 | 256 | 256 |
| Finish | Black Zinc | | | | | | | | | |

5.1 Standard Slides

45kg - Bottom Mounted Full Extension Slide (formerly 4502)



| Specifications | |
|-------------------|----------------------------------|
| Type | Standard Ball Bearing |
| Material | Hardened cold rolled steel plate |
| Mounting Position | Bottom Mounted |
| Extension | Full Extension |
| Loading Capacity | 45kg |

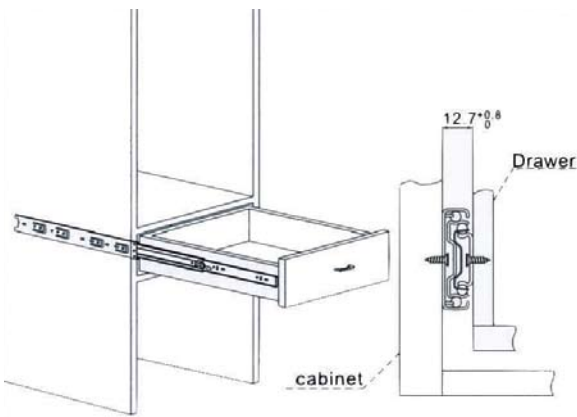


Fastening Position for Cabinet Member

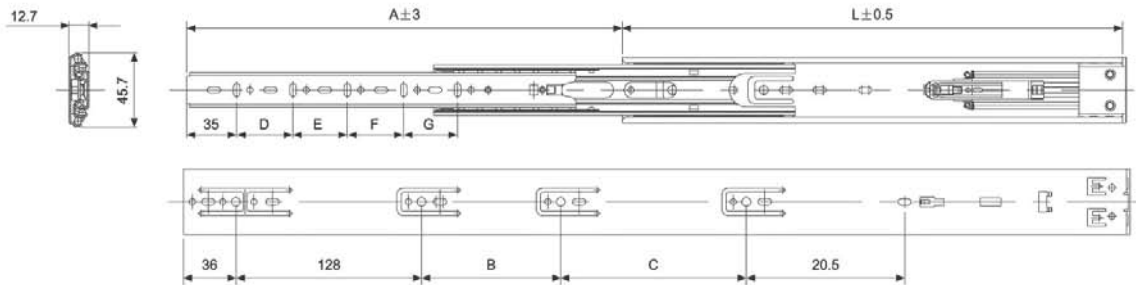
| Item No. | Length A | Slide Travel | A | B | C | D | E | F | I | J |
|---------------|-------------|--------------|-----|-----|-----|----|------|----|-----|-----|
| SD02-250 ZP | 250 | 250 | 148 | - | - | - | - | - | 176 | - |
| SD02-300 ZP | 300 | 300 | 224 | - | - | - | - | - | 96 | 128 |
| SD02-350 ZP | 350 | 350 | 224 | 288 | - | 50 | - | - | 128 | 128 |
| SD02-400 ZP | 400 | 400 | 224 | 352 | - | 50 | - | - | 160 | 160 |
| SD02-450 ZP | 450 | 450 | 224 | 352 | - | - | 25.4 | 32 | 160 | 192 |
| SD02-500 ZP | 500 | 500 | 224 | 352 | 416 | - | 25.4 | 32 | 192 | 224 |
| SD02-550 ZP | 550 | 550 | 224 | 352 | 416 | 50 | 25.4 | 32 | 224 | 224 |
| SD02-600 ZP | 600 | 600 | 224 | 352 | 480 | 50 | 25.4 | 32 | 256 | 256 |
| Finish | Zinc Plated | | | | | | | | | |
| SD02-250 BZ | 250 | 250 | 148 | - | - | - | - | - | 176 | - |
| SD02-300 BZ | 300 | 300 | 224 | - | - | - | - | - | 96 | 128 |
| SD02-350 BZ | 350 | 350 | 224 | 288 | - | 50 | - | - | 128 | 128 |
| SD02-400 BZ | 400 | 400 | 224 | 352 | - | 50 | - | - | 160 | 160 |
| SD02-450 BZ | 450 | 450 | 224 | 352 | - | - | 25.4 | 32 | 160 | 192 |
| SD02-500 BZ | 500 | 500 | 224 | 352 | 416 | - | 25.4 | 32 | 192 | 224 |
| SD02-550 BZ | 550 | 550 | 224 | 352 | 416 | 50 | 25.4 | 32 | 224 | 224 |
| SD02-600 BZ | 600 | 600 | 224 | 352 | 480 | 50 | 25.4 | 32 | 256 | 256 |
| Finish | Black Zinc | | | | | | | | | |

5.2 Soft Closing Slides

35kg - Side Mounted Full Extension Slide (formerly 4505)



| Specifications | |
|-------------------|----------------------------------|
| Type | Ball Bearing with Soft Closing |
| Material | Hardened cold rolled steel plate |
| Mounting Position | Side Mounted |
| Extension | Full Extension |
| Loading Capacity | 35kg |

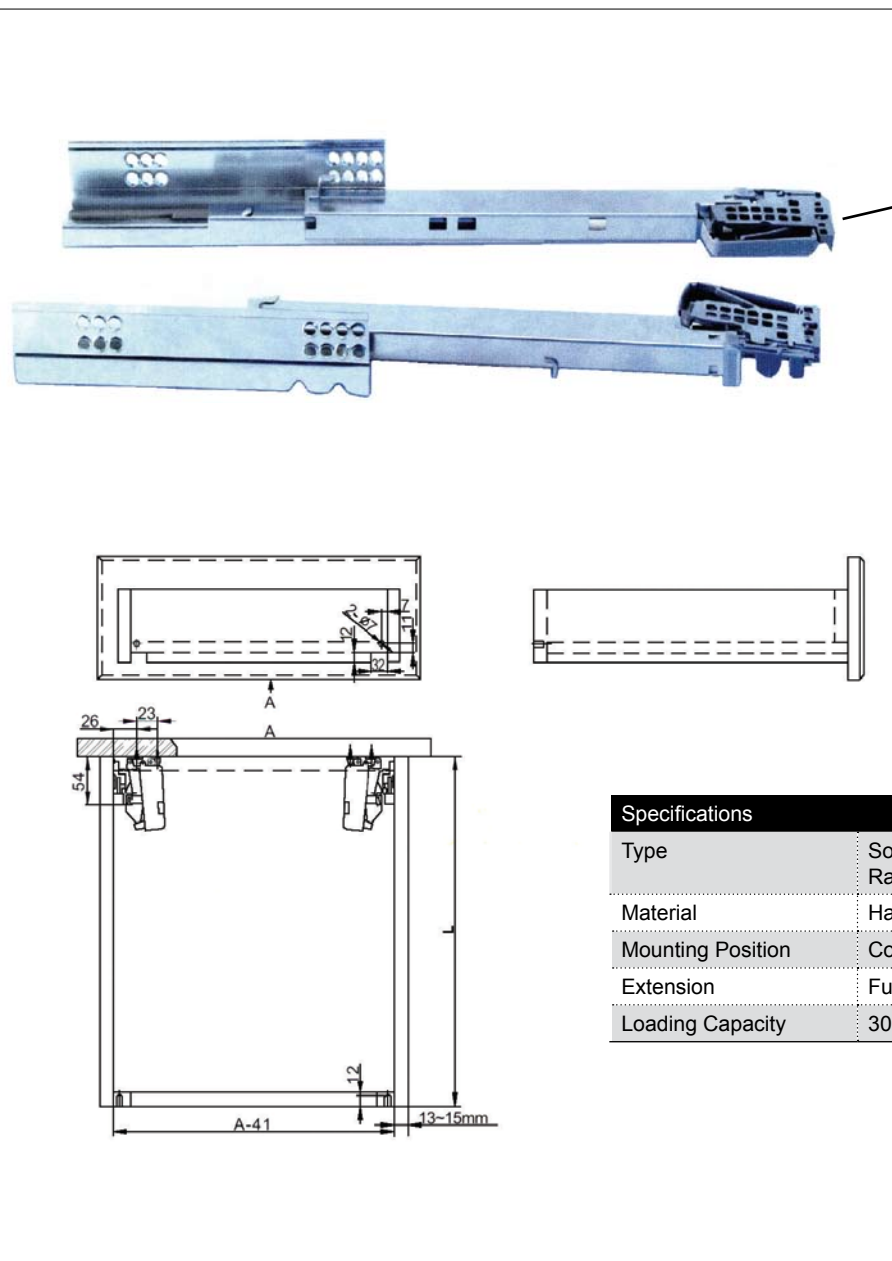


Fastening Position for Cabinet Member

| Item No. | Length A | A | B | C | D | E | F | G |
|---------------|-------------|-----|----|-----|-----|-----|----|---|
| SC01-350 ZP | 350 | 295 | - | - | 98 | 93 | - | - |
| SC01-400 ZP | 400 | 345 | - | - | 128 | 96 | - | - |
| SC01-450 ZP | 450 | 395 | 96 | - | 128 | 128 | - | - |
| SC01-500 ZP | 500 | 445 | 96 | - | 128 | 192 | - | - |
| SC01-550 ZP | 550 | 495 | 96 | 96 | 128 | 192 | 64 | - |
| SC01-600 ZP | 600 | 545 | 96 | 128 | 128 | 224 | 64 | - |
| Finish | Zinc Plated | | | | | | | |

5.2 Soft Closing Slides

30kg - Undermount Full Extension Slide with front clips (formerly 708)

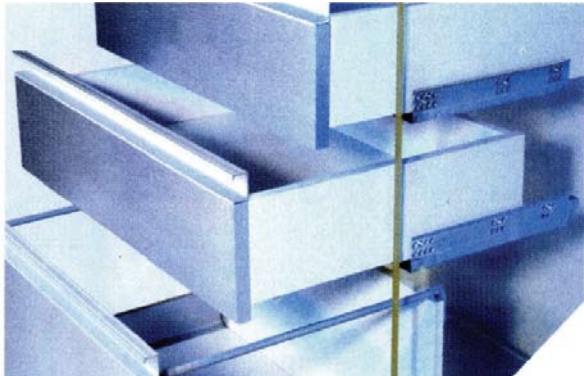


| Specifications | |
|-------------------|---|
| Type | Soft Closing with 50mm Closing Range with Front Clips |
| Material | Hardened cold rolled steel plate |
| Mounting Position | Concealed Undermount |
| Extension | Full Extension |
| Loading Capacity | 30kg |

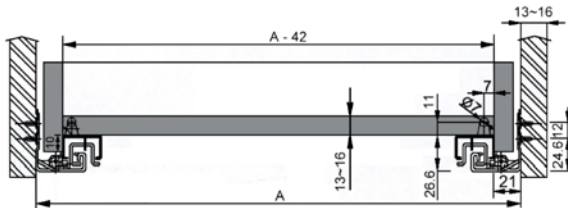
| Item No. | Length mm | Cabinet Depth mm | Set / Box |
|---------------|-------------|------------------|-----------|
| SC02-300 ZP | 300 | 317 | 10 |
| SC02-350 ZP | 350 | 367 | 10 |
| SC02-400 ZP | 400 | 417 | 10 |
| SC02-450 ZP | 450 | 467 | 10 |
| SC02-500 ZP | 500 | 517 | 10 |
| SC02-550 ZP | 550 | 567 | 10 |
| Finish | Zinc Plated | | |

5.2 Soft Closing Slides

30kg - Undermount Full Extension Slide with front clips...continue

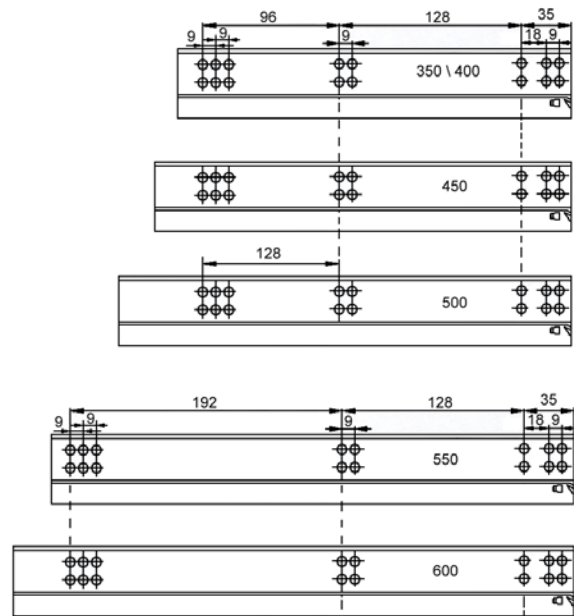


Installation Diagram

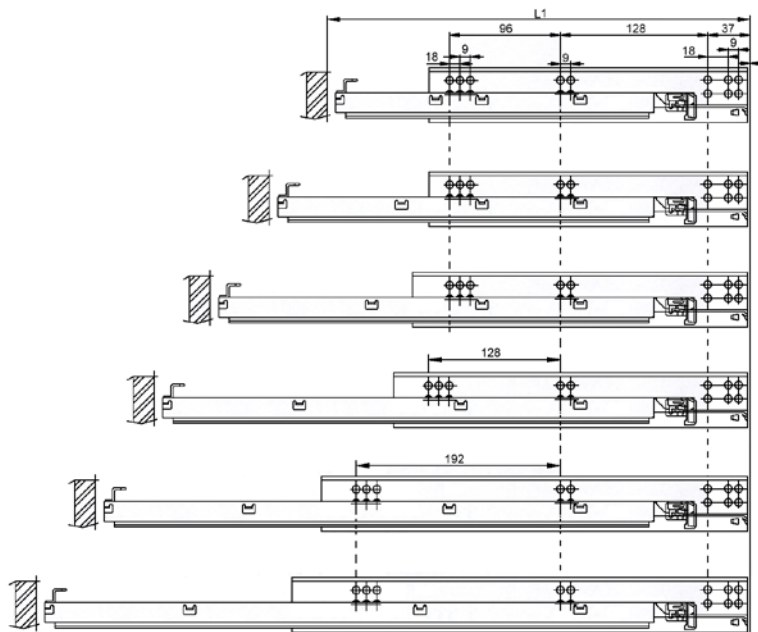


Note: A = Width of inside cabinet

Drilling Hole Diagram

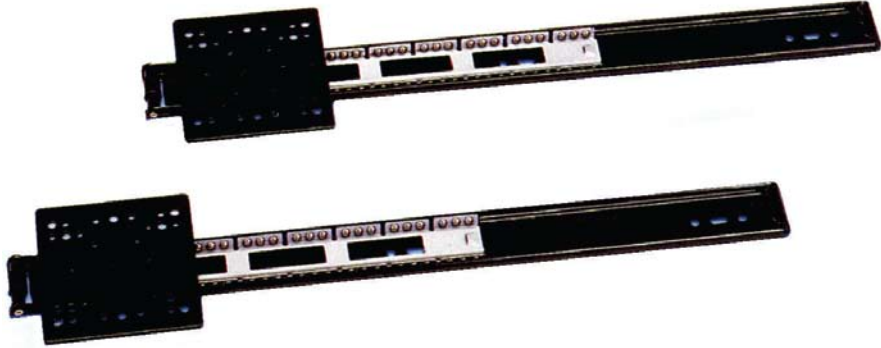


Fastening Position for Cabinet Member



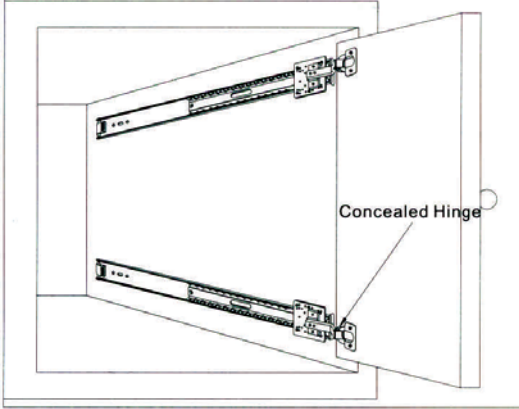
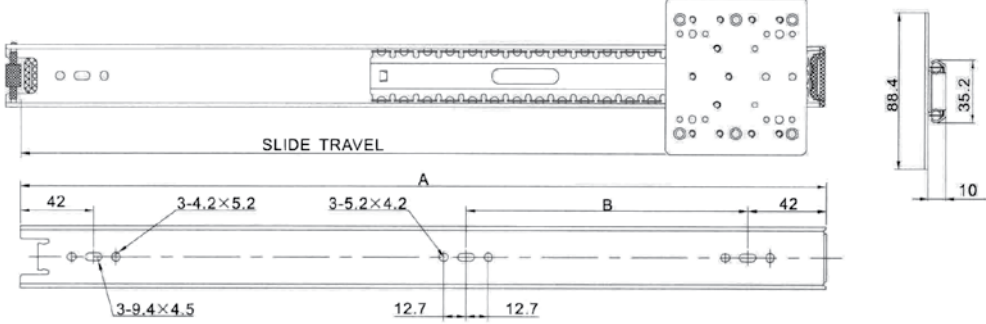
5.3 Pocket Drawer Slides

15kg - Side Mounted Full Extension Slide (formerly 3501)



Specifications

| | |
|-------------------|---|
| Type | Pocket Drawer Slide Horizontal & Vertical System |
| Material | Hardened cold rolled steel plate |
| Mounting Position | Side (use with concealed hinges) |
| Extension | Full Extension |
| Loading Capacity | 15kg |

Fastening Position for Cabinet Member

| Item No. | Length A | Slide Travel | B |
|---------------|-------------|--------------|-----|
| PD01-406 ZP | 406 | 311 | 160 |
| PD01-457 ZP | 457 | 362 | 160 |
| PD01-508 ZP | 508 | 413 | 192 |
| PD01-559 ZP | 559 | 464 | 224 |
| Finish | Zinc Plated | | |

