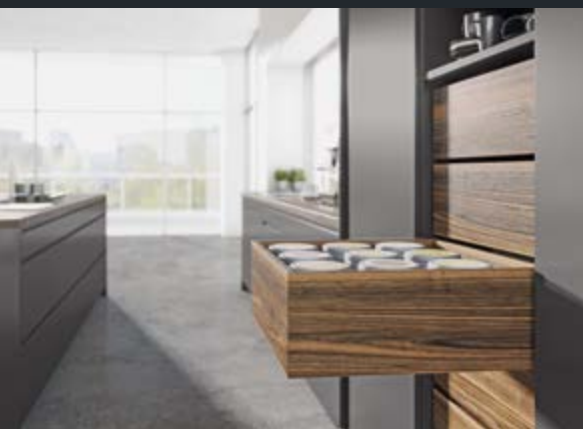


As individual as you:  
**AvanTech YOU drawer system**  
with Actro 5D drawer runner



Technik für Möbel

**Hettich**

# AvanTech YOU double walled drawer system



## As individual as you – AvanTech YOU

The new AvanTech YOU drawer system scores from design diversity and creative flexibility, from concealed working parts and perfect performance as well as from an efficient product concept geared to the customer.

**Design distinctive drawers:** the AvanTech YOU drawer is distinguished by immaculate beauty from its slimline and sleek 13 mm drawer side profile. And by the ability to turn personal ideas into reality every time.

**Get a variety of clever functions:** one drawer, two runners and numerous user friendly functions. Flexibly combinable with each other by using one and the same drilling pattern.

**Efficient and cost effective production:** the comprehensive platform concept and perfect product adjustments to production and assembly processes guarantee cost effectiveness and efficient work flows while at the same time providing the basis for a broad product lineup.



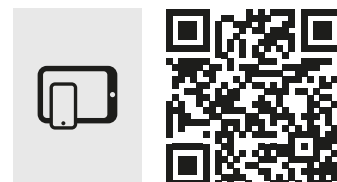
**Design diversity and creative flexibility:** different shapes, colours and materials consistently continue furniture design on the inside too.



**Many different options for customisation:** creative design flexibility in every detail. Attractive highlights are added with design profile and DesignCapes.



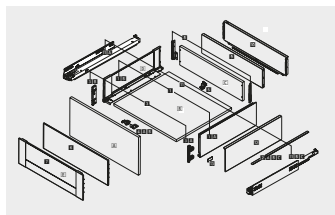
**Precision designed furniture:** AvanTech YOU competently combines technology, functionality and performance to suit any preference.



[hettich.com/short/704c1a](https://hettich.com/short/704c1a)

**Find out more:** You can get inspiration and further product details on our website.

## ► Summary



### AvanTech YOU

► Range summary	4 - 5
► Exploded drawing	6
► Overview of components	7



### AvanTech YOU drawer

► Height 77 mm	8 - 9
► Height 101 mm	10 - 13
► Height 139 mm	14 - 17



### AvanTech YOU pot-and-pan drawer

► Height 187 mm	18 - 21
► Height 251 mm	22 - 23

### AvanTech YOU Inlay pot-and-pan drawer

► Height 187 mm	24 - 26
-----------------	---------



### AvanTech YOU

► Rear panel	28 - 29
► Front panel for internal drawer / internal pot-and-pan drawer	30 - 35



### AvanTech YOU design elements / other accessories

► Design elements	36 - 38
► Other accessories	39 - 42



### AvanTech YOU drawer runners

► Actro YOU / Push to open Silent opening system for Actro YOU	44 - 47
► Quadro YOU / Push to open Silent opening system for Quadro YOU	48 - 51
Actro 5D drawer runners for wooden drawers	53 - 57



### Supplementary products

► Interior organisation, range summary	59
► Waste collecting systems	71 - 72
► Assembly aids	73
Quality criteria	87



### Hettich Technical Assistant

► Installation / adjustment	
► Service	

[hettich.com/short/c964f5](https://hettich.com/short/c964f5)

# AvanTech YOU double walled drawer system

- ▶ Range summary
- ▶ Powder coated steel, silver / white / anthracite



Drawer, height 77 mm

8 - 9



Drawer, height 101 mm

10 - 13



Drawer, height 139 mm

14 - 17



Pot-and-pan drawer, height 187 mm

18 - 21



Pot-and-pan drawer, height 251 mm

22 - 23



Inlay pot-and-pan drawer, height 187 mm

24 - 26



Internal drawer, height 101 / 139 mm,  
internal pot-and-pan drawer, height 187 mm

30 - 35



Design options

36 - 38



Other accessories

39 - 42



AvanTech YOU drawer runners  
Actro YOU / Quadro YOU

44 - 51



Push to open Silent

46 / 50



Interior organisation

60 - 67



# AvanTech YOU double walled drawer system

- ▶ Range summary
- ▶ Powder coated steel, silver / white / anthracite



Solutions with bottom cutout

68 - 70



Waste collecting systems

71 - 72



Assembly and planning aids

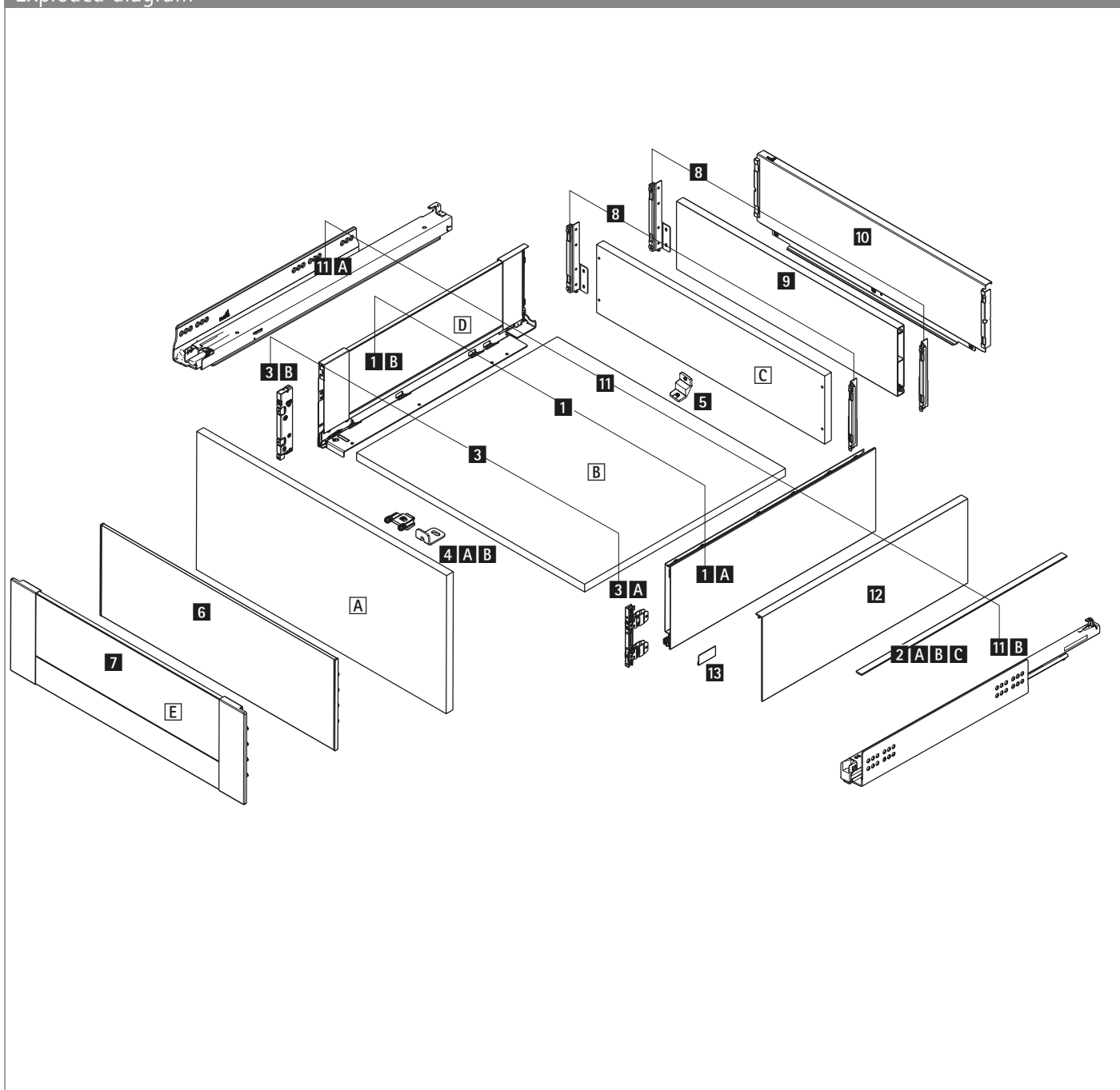
74 - 86

# AvanTech YOU double walled drawer system

## ► Exploded drawing / Overview of components



Exploded diagram



# AvanTech YOU double walled drawer system

## ► Exploded drawing / Overview of components

### AvanTech YOU system components

#### Basic components

**1** Drawer side profile, left and right

... **1 A** AvanTech YOU or

... **1 B** AvanTech YOU Inlay

**2** Design profile for top side of AvanTech YOU drawer side profile

**A** Front, see front options

**3** Front connectors, left and right

... **3 A** for AvanTech YOU or

... **3 B** for AvanTech YOU Inlay

**4 A / B** Stabiliser for front panel / internal front panel

**C** Rear panel, see rear panel options

**5** Rear panel stabiliser

#### Front panel options

**A** Front panel

**6** Front panel for internal drawer / internal pot-and-pan drawer

**7** Customisable front panel for internal drawer / internal pot-and-pan drawer

#### Rear panel options

**C** Wooden rear panel

**8** Rear panel connector, left and right

**9** Rear panel profile for cutting to length

**10** Steel rear panel in standard cabinet body widths (not available)

#### Design options

**2 A / B / C** Design profile in drawer side profile colour / foil wrapped / customisable

**12** DesignCape

**13** Branding clip

#### Drawer runners

**11 A** Actro YOU full extension runner

**11 B** Quadro YOU full extension runner

#### Wooden elements cut to size

**A** Front panel

**B** Bottom panel

**C** Wooden rear panel

**D** AvanTech YOU Inlay - insert in any chosen material

**E** Customisable internal front panel - insert in any chosen material

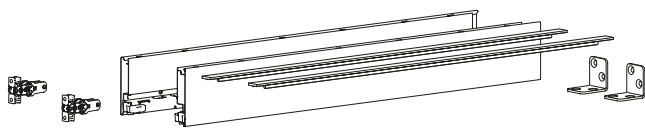


# AvanTech YOU double walled drawer system

- ▶ Drawer height 77 mm
- ▶ Powder coated steel, silver / white / anthracite



## 1 Drawer side profile set, height 77 mm



- ▶ Integrated vertical, lateral and tilt adjustment
- ▶ Steel, powder coated

Set comprises:

- ▶ **1** 1 drawer side profile, left and right
- ▶ **2** 2 design profiles in drawer side profile colour
- ▶ **3** 2 drawer front connectors for screwing on
- ▶ **5** 2 rear panel stabilisers
- ▶ Fixing material

Note:

- ▶ For design options, see pages 36 - 38

Nominal length mm	Order no. / surface finish			PU
	silver	white	anthracite	
500	9 255 242	9 255 282	9 255 322	1 set

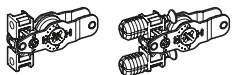
## 5 Rear panel stabiliser



- ▶ For wooden rear panel, height 77 mm
- ▶ 1 for cabinet body width < 600 mm; 2 each for ≥ 600 mm; 3 each for ≥ 800 mm; 4 each = 1200 mm
- ▶ Steel

Order no.	PU
0 079 665	1/100 ea.

## 3 A Drawer front connector for drawer side profile, height 77 mm



- ▶ For screwing on or knocking in
- ▶ Steel

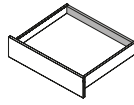
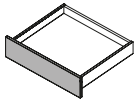
Mounting option	Order no.	PU
for screwing on	9 255 832	1/100 ea.
for knocking in	9 255 833	1/100 ea.



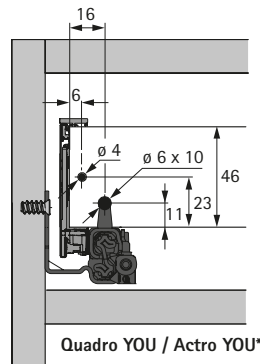
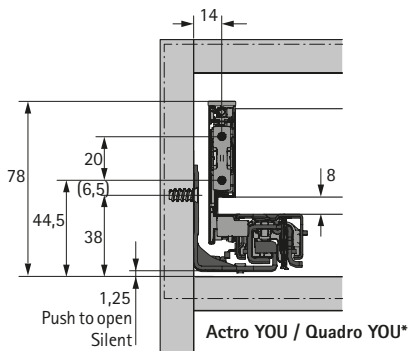
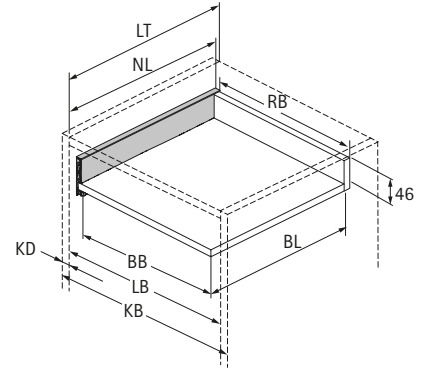
# AvanTech YOU double walled drawer system

- ▶ Drawer height 77 mm
- ▶ Powder coated steel, silver / white / anthracite

## Planning / installation dimensions



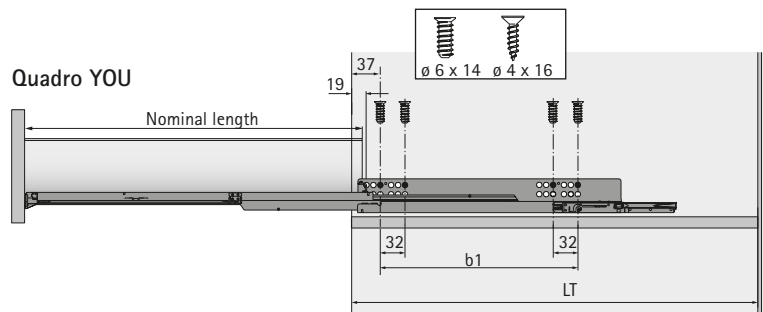
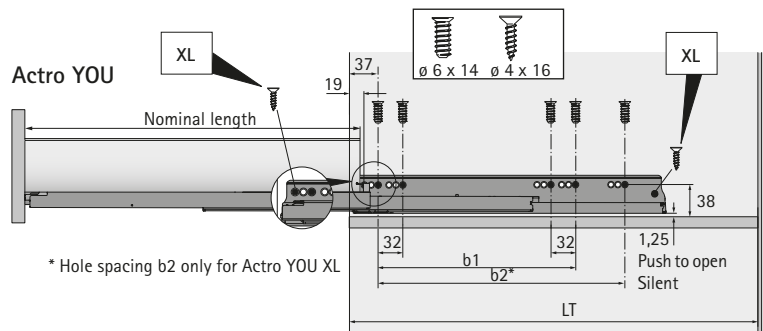
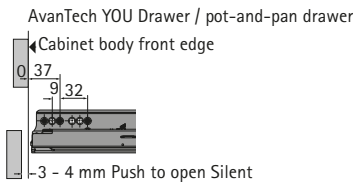
\* All dimensions identical for Actro YOU and Quadro YOU



Dimension	mm
BL	NL - 26
BB	LB - 24
RB	LB - 24
LT	NL + 3

BB Bottom panel width	KB Cabinet body width	NL Nominal length	LB Clear inside width
BL Bottom panel length	RB Rear panel width	KD Cabinet body side thicknesses	LT Clear inside depth

## Positions for attaching Actro YOU / Quadro YOU drawer runner



Nominal length mm	Hole spacing mm	
	b1	b2*
270	160	
300	160	
350	224	
400	224	
450	256	288
500	256	320
550	256	320
600	256	320
650	256	416

## Information

▶ Rear panel options	28 - 29	▶ Actro YOU / Quadro YOU drawer runners	44 - 51
▶ Internal front panel options	30 - 35	▶ Push to open Silent	46 / 50
▶ Design options	36 - 38	▶ Quality criteria	87
▶ Other accessories	39 - 42		



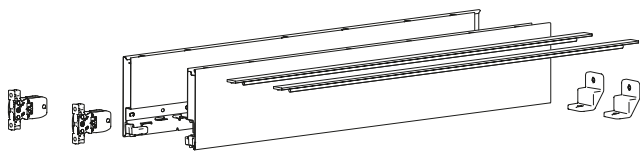
hettich.com/short/f47201

# AvanTech YOU double walled drawer system

- ▶ Drawer height 101 mm
- ▶ Powder coated steel, silver / white / anthracite



## 1 Drawer side profile set, height 101 mm



- ▶ Integrated vertical, lateral and tilt adjustment
- ▶ Steel, powder coated

Set comprises:

- ▶ **1** 1 drawer side profile, left and right
- ▶ **2** 2 design profiles in drawer side profile colour
- ▶ **3** 2 drawer front connectors for screwing on
- ▶ **5** 2 rear panel stabilisers
- ▶ Fixing material

Note:

- ▶ For design options, see pages 36 - 38

Nominal length mm	Order no. / surface finish			PU
	silver	white	anthracite	
270	9 255 244	9 255 284	9 255 324	1 set
300	9 255 245	9 255 285	9 255 325	1 set
350	9 255 246	9 255 286	9 255 326	1 set
400	9 255 247	9 255 287	9 255 327	1 set
450	9 255 248	9 255 288	9 255 328	1 set
500	9 255 249	9 255 289	9 255 329	1 set
550	9 255 250	9 255 290	9 255 330	1 set
600	9 255 251	9 255 291	9 255 331	1 set
650	9 255 252	9 255 292	9 255 332	1 set

## 5 Rear panel stabiliser



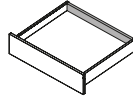
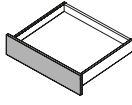
- ▶ For wooden and aluminium rear panels
- ▶ 1 for cabinet body width  $\geq 600$  mm; 2 each for  $\geq 800$  mm; 3 each = 1200 mm
- ▶ Plastic

Order no.	PU
9 257 702	1/200 ea.

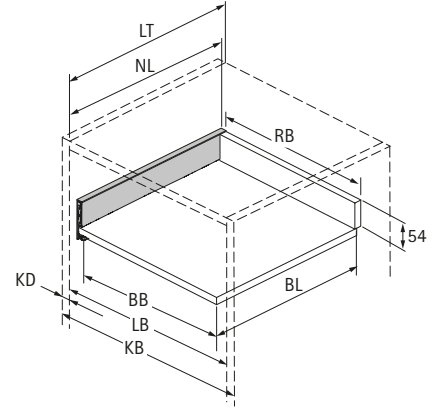
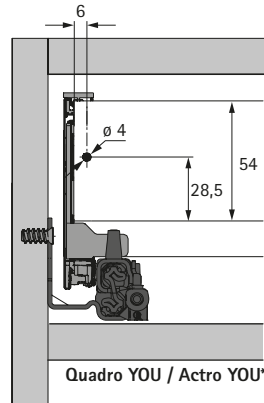
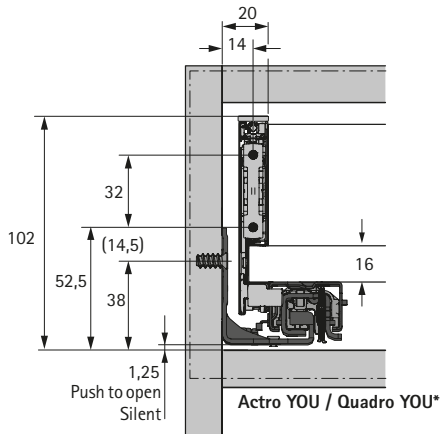
# AvanTech YOU double walled drawer system

- ▶ Drawer height 101 mm
- ▶ Powder coated steel, silver / white / anthracite

## Planning / installation dimensions



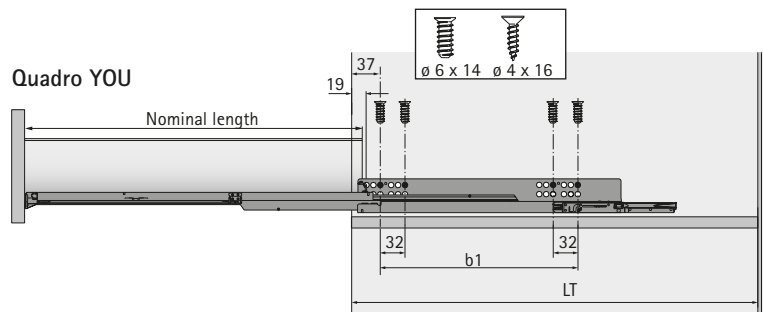
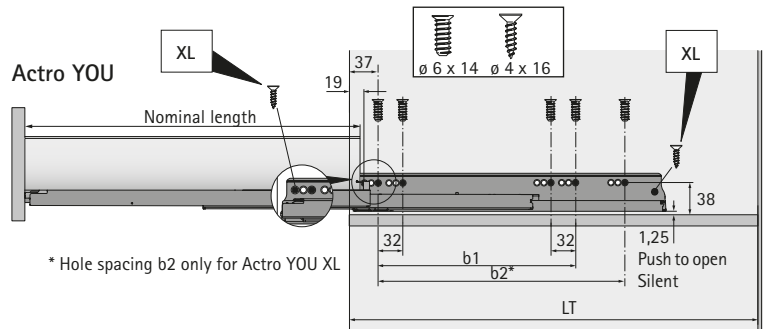
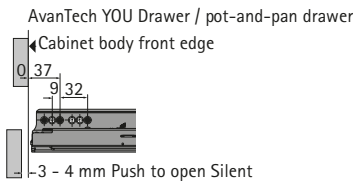
\* All dimensions identical for Actro YOU and Quadro YOU



BB Bottom panel width	KB Cabinet body width	NL Nominal length	LB Clear inside width
BL Bottom panel length	RB Rear panel width	KD Cabinet body side thicknesses	LT Clear inside depth

Dimension		mm
BL		NL - 21
BB		LB - 24
RB		LB - 24
LT		NL + 3
LT	Internal drawer / internal pot-and-pan drawer	NL + 12
LT	Internal drawer / internal pot-and-pan drawer Push to open Silent	NL + 21

## Positions for attaching Actro YOU / Quadro YOU drawer runner



Nominal length mm	Hole spacing mm b1	b2*
270	160	
300	160	
350	224	
400	224	
450	256	288
500	256	320
550	256	320
600	256	320
650	256	416

## Information

▶ Rear panel options	28 - 29	▶ Actro YOU / Quadro YOU drawer runners	44 - 51
▶ Internal front panel options	30 - 35	▶ Push to open Silent	46 / 50
▶ Design options	36 - 38	▶ Quality criteria	87
▶ Other accessories	39 - 42		



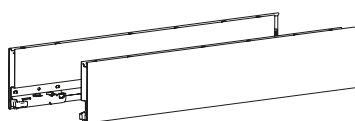
hettich.com/short/d35234

# AvanTech YOU double walled drawer system

- ▶ Drawer height 101 mm
- ▶ Powder coated steel, silver / white / anthracite



## 1 A Drawer side profile, height 101 mm



- ▶ **2 A / B / C** Design profile must be ordered separately
- ▶ **3 A** Drawer front connector must be ordered separately
- ▶ **12** DesignCape can be ordered separately
- ▶ Integrated vertical, lateral, depth and tilt adjustment
- ▶ Powder coated steel

Nominal length mm	Order no. / surface finish / mounting side						PU
	silver		white		anthracite		
	left	right	left	right	left	right	
400	9 255 014	9 255 015	9 255 094	9 255 095	9 255 174	9 255 175	20 ea.
450	9 255 016	9 255 017	9 255 096	9 255 097	9 255 176	9 255 177	20 ea.
500	9 255 018	9 255 019	9 255 098	9 255 099	9 255 178	9 255 179	20 ea.

## 2 A Design profile drawer side profile colour



- ▶ Any chosen top edge for drawer side profile
- ▶ For clipping on
- ▶ Plastic, solid coloured

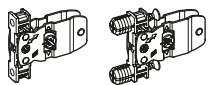
Nominal length mm	Order no. / surface finish			PU
	silver	white	anthracite	
400	9 255 807	9 255 816	9 255 825	1/200 ea.
450	9 255 808	9 255 817	9 255 826	1/200 ea.
500	9 255 809	9 255 818	9 255 827	1/200 ea.



# AvanTech YOU double walled drawer system

- ▶ Drawer height 101 mm
- ▶ Powder coated steel, silver / white / anthracite

## 3 A Drawer front connector for drawer side profile, height 101 mm



- ▶ For screwing on or knocking in
- ▶ Steel

Mounting option	Order no.	PU
for screwing on	9 255 835	1/200 ea.
for knocking in	9 255 836	1/200 ea.

## 5 Rear panel stabiliser



- ▶ For wooden and aluminium rear panels
- ▶ 1 each for  $\geq 600$  mm cabinet width;
- ▶ 2 each  $\geq 800$  mm;
- ▶ 3 each = 1200 mm
- ▶ Plastic

Order no.	PU
9 257 702	1/200 ea.

### Information

▶ Rear panel options	28 - 29	▶ Actro YOU / Quadro YOU drawer runners	44 - 51
▶ Internal front panel options	30 - 35	▶ Push to open Silent	46 / 50
▶ Design options	36 - 38	▶ Quality criteria	87
▶ Other accessories	39 - 42		



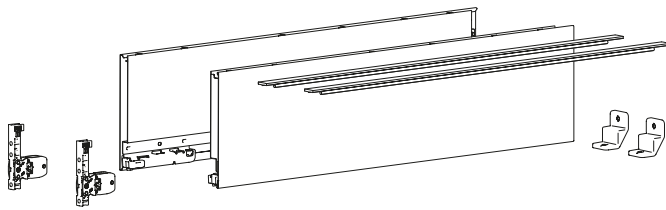
[hettich.com/short/738f41](https://hettich.com/short/738f41)

# AvanTech YOU double walled drawer system

- ▶ Drawer height 139 mm
- ▶ Powder coated steel, silver / white / anthracite



## 1 Drawer side profile set, height 139 mm



- ▶ Integrated vertical, lateral and tilt adjustment
- ▶ Steel, powder coated

Set comprises:

- ▶ **1** 1 drawer side profile, left and right
- ▶ **2** 2 design profiles in drawer side profile colour
- ▶ **3** 2 drawer front connectors for screwing on
- ▶ **5** 2 rear panel stabilisers
- ▶ Fixing material

Note:

- ▶ For design options, see pages 36 - 38

Nominal length mm	Order no. / surface finish			PU
	silver	white	anthracite	
300	9 255 254	9 255 294	9 255 334	1 set
350	9 255 255	9 255 295	9 255 335	1 set
400	9 255 256	9 255 296	9 255 336	1 set
450	9 255 257	9 255 297	9 255 337	1 set
500	9 255 258	9 255 298	9 255 338	1 set
550	9 255 259	9 255 299	9 255 339	1 set
600	9 255 260	9 255 300	9 255 340	1 set

## 5 Rear panel stabiliser



- ▶ For wooden and aluminium rear panels
- ▶ 1 for cabinet body width  $\geq 600$  mm; 2 each for  $\geq 800$  mm; 3 each = 1200 mm
- ▶ Plastic

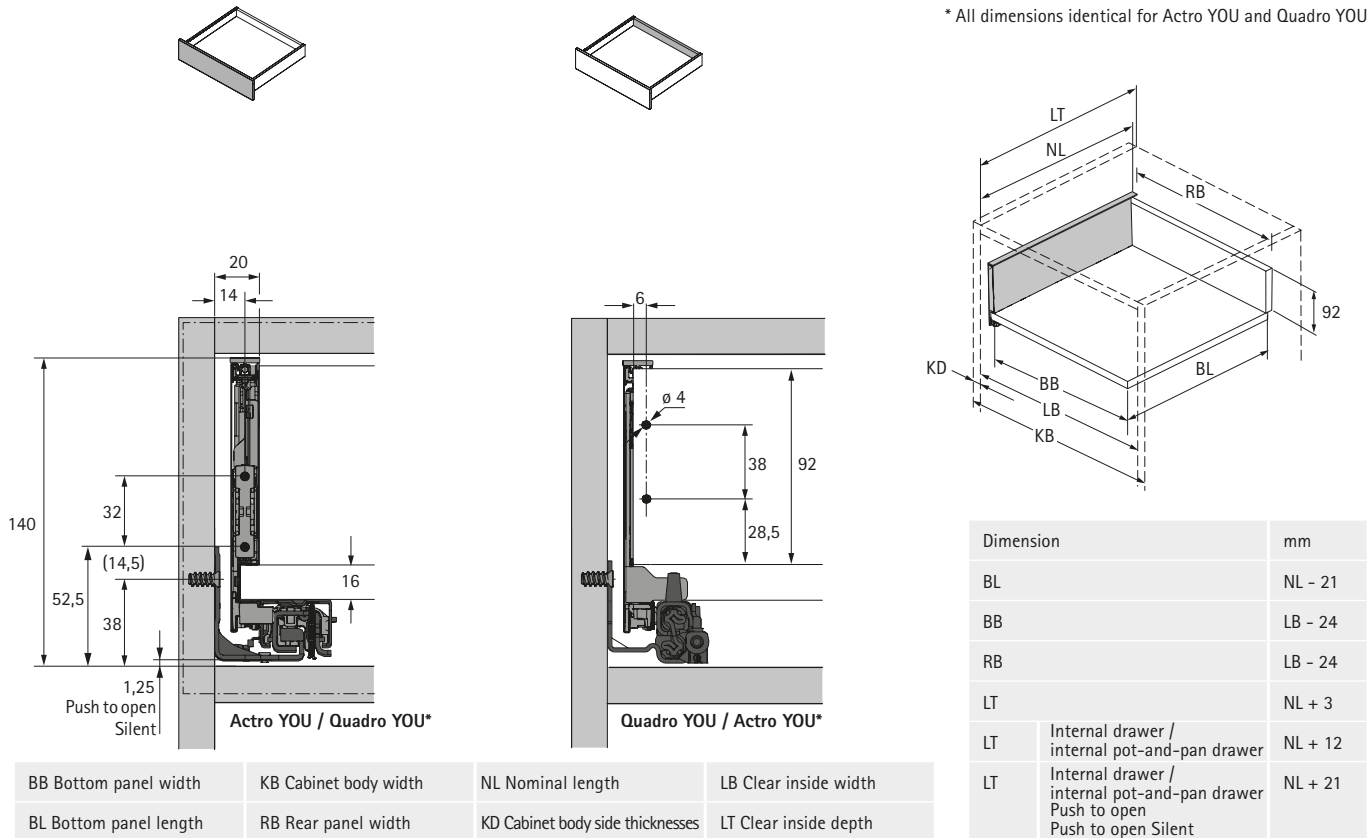
Order no.	PU
9 257 702	1/200 ea.

# AvanTech YOU double walled drawer system

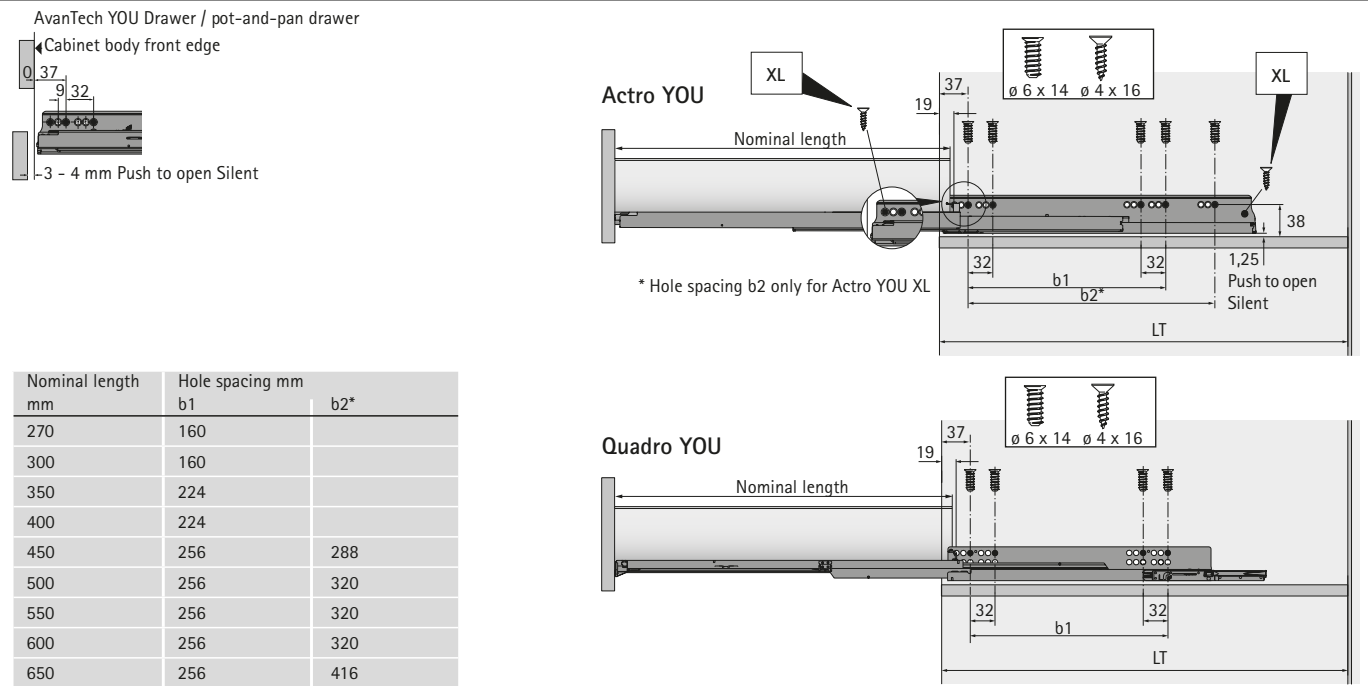
- ▶ Drawer height 139 mm
- ▶ Powder coated steel, silver / white / anthracite

## Planning / installation dimensions

\* All dimensions identical for Actro YOU and Quadro YOU



## Positions for attaching Actro YOU / Quadro YOU drawer runner



## Information

- |                                |         |   |         |
|--------------------------------|---------|---|---------|
| ▶ Rear panel options           | 28 - 29 | ▶ Actro YOU / Quadro YOU drawer runners | 44 - 51 |
| ▶ Internal front panel options | 30 - 35 | ▶ Push to open Silent                   | 46 / 50 |
| ▶ Design options               | 36 - 38 | ▶ Quality criteria                      | 87      |
| ▶ Other accessories            | 39 - 42 |   |         |



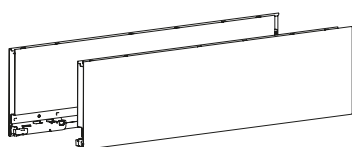
[hettich.com/short/70a9e7](https://hettich.com/short/70a9e7)

# AvanTech YOU double walled drawer system

- ▶ Drawer height 139 mm
- ▶ Powder coated steel, silver / white / anthracite



## 1 A Drawer side profile, height 139 mm



- ▶ **2 A / B / C** Design profile must be ordered separately
- ▶ **3 A** Drawer front connector must be ordered separately
- ▶ **12** DesignCape can be ordered separately
- ▶ Integrated vertical, lateral, depth and tilt adjustment
- ▶ Powder coated steel

Nominal length mm	Order no. / surface finish / mounting side						PU
	silver		white		anthracite		
	left	right	left	right	left	right	
400	9 255 032	9 255 033	9 255 112	9 255 113	9 255 192	9 255 193	20 ea.
450	9 255 034	9 255 035	9 255 114	9 255 115	9 255 194	9 255 195	20 ea.
500	9 255 036	9 255 037	9 255 116	9 255 117	9 255 196	9 255 197	20 ea.

## 2 A Design profile drawer side profile colour



- ▶ Any chosen top edge for drawer side profile
- ▶ For clipping on
- ▶ Plastic, solid coloured

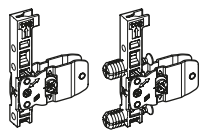
Nominal length mm	Order no. / surface finish			PU
	silver	white	anthracite	
400	9 255 807	9 255 816	9 255 825	1/200 ea.
450	9 255 808	9 255 817	9 255 826	1/200 ea.
500	9 255 809	9 255 818	9 255 827	1/200 ea.



# AvanTech YOU double walled drawer system

- ▶ Drawer height 139 mm
- ▶ Powder coated steel, silver / white / anthracite

## 3 A Drawer front connector for drawer side profile, height 139 mm



- ▶ For screwing on or knocking in
- ▶ Steel

Mounting option	Order no.	PU
for screwing on	9 257 884	1/200 ea.
for knocking in	9 257 885	1/200 ea.

## 5 Rear panel stabiliser



- ▶ For wooden and aluminium rear panels
- ▶ 1 each for  $\geq 600$  mm cabinet width;
- ▶ 2 each  $\geq 800$  mm;
- ▶ 3 each = 1200 mm
- ▶ Plastic

Order no.	PU
9 257 702	1/200 ea.

### Information

▶ Rear panel options	28 - 29	▶ Actro YOU / Quadro YOU drawer runners	44 - 51
▶ Internal front panel options	30 - 35	▶ Push to open Silent	46 / 50
▶ Design options	36 - 38	▶ Quality criteria	87
▶ Other accessories	39 - 42		



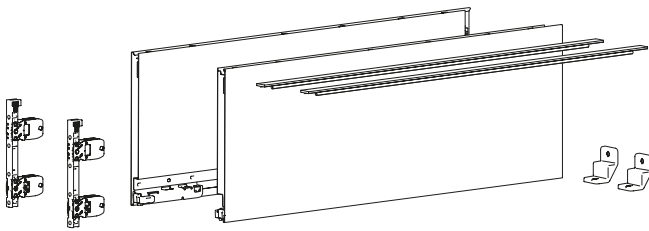
[hettich.com/short/7213bd](https://hettich.com/short/7213bd)

# AvanTech YOU double walled drawer system

- ▶ Pot-and-pan drawer, height 187 mm
- ▶ Powder coated steel, silver / white / anthracite



## 1 Drawer side profile set, height 187 mm



- ▶ Integrated vertical, lateral and tilt adjustment
- ▶ Steel, powder coated

Set comprises:

- ▶ **1** 1 drawer side profile, left and right
- ▶ **2** 2 design profiles in drawer side profile colour
- ▶ **3** 2 drawer front connectors for screwing on
- ▶ **5** 2 rear panel stabilisers
- ▶ Fixing material

Note:

- ▶ For design options, see pages 36 - 38

Nominal length mm	Order no. / surface finish			PU
	silver	white	anthracite	
270	9 255 262	9 255 302	9 255 342	1 set
300	9 255 263	9 255 303	9 255 343	1 set
350	9 255 264	9 255 304	9 255 344	1 set
400	9 255 265	9 255 305	9 255 345	1 set
450	9 255 266	9 255 306	9 255 346	1 set
500	9 255 267	9 255 307	9 255 347	1 set
550	9 255 268	9 255 308	9 255 348	1 set
600	9 255 269	9 255 309	9 255 349	1 set
650	9 255 270	9 255 310	9 255 350	1 set

## 5 Rear panel stabiliser



- ▶ For wooden and aluminium rear panels
- ▶ 1 for cabinet body width  $\geq 600$  mm; 2 each for  $\geq 800$  mm; 3 each = 1200 mm
- ▶ Plastic

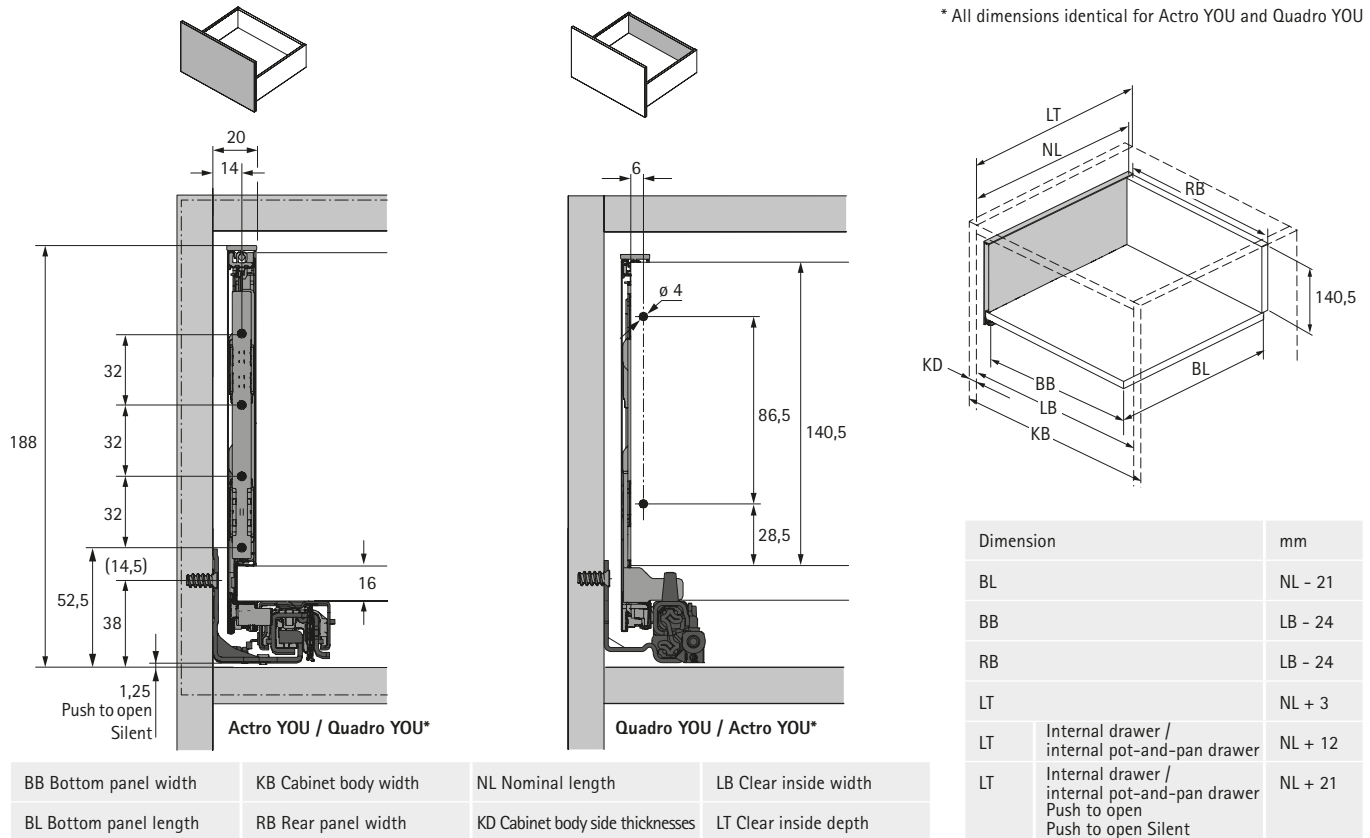
Order no.	PU
9 257 702	1/200 ea.

# AvanTech YOU double walled drawer system

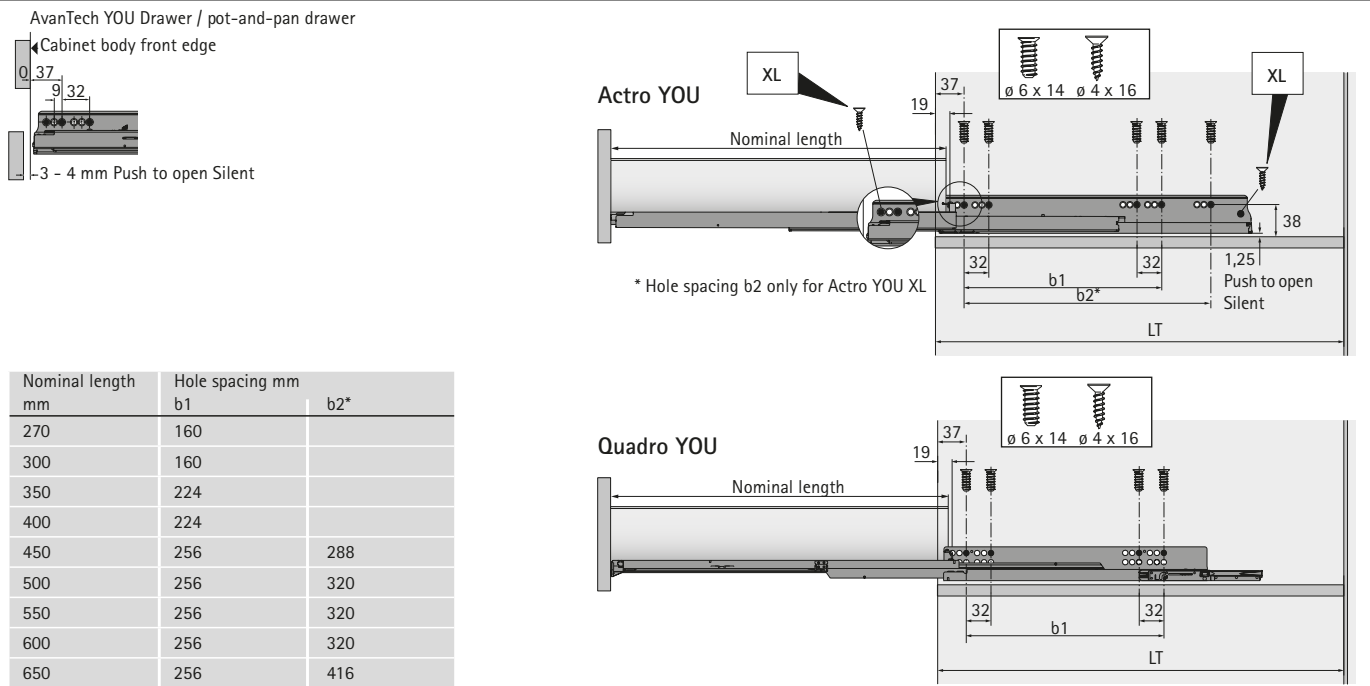
- ▶ Pot-and-pan drawer, height 187 mm
- ▶ Powder coated steel, silver / white / anthracite

## Planning / installation dimensions

\* All dimensions identical for Actro YOU and Quadro YOU



## Positions for attaching Actro YOU / Quadro YOU drawer runner



## Information

- |                                |         |   |         |
|--------------------------------|---------|---|---------|
| ▶ Rear panel options           | 28 - 29 | ▶ Actro YOU / Quadro YOU drawer runners | 44 - 51 |
| ▶ Internal front panel options | 30 - 35 | ▶ Push to open Silent                   | 46 / 50 |
| ▶ Design options               | 36 - 38 | ▶ Quality criteria                      | 87      |
| ▶ Other accessories            | 39 - 42 |   |         |



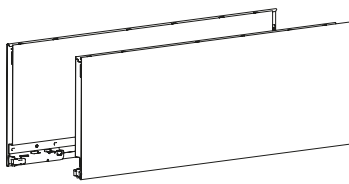
[hettich.com/short/846f21](https://hettich.com/short/846f21)

# AvanTech YOU double walled drawer system

- ▶ Pot-and-pan drawer, height 187 mm
- ▶ Powder coated steel, silver / white / anthracite



## 1 A Drawer side profile, height 187 mm



- ▶ **2 A / B / C** Design profile must be ordered separately
- ▶ **3 A** Drawer front connector must be ordered separately
- ▶ **12** DesignCape can be ordered separately
- ▶ Integrated vertical, lateral, depth and tilt adjustment
- ▶ Powder coated steel

Nominal length mm	Order no. / surface finish / mounting side						PU
	silver		white		anthracite		
	left	right	left	right	left	right	
400	9 255 050	9 255 051	9 255 130	9 255 131	9 255 210	9 255 211	10 ea.
450	9 255 052	9 255 053	9 255 132	9 255 133	9 255 212	9 255 213	10 ea.
500	9 255 054	9 255 055	9 255 134	9 255 135	9 255 214	9 255 215	10 ea.

## 2 A Design profile drawer side profile colour



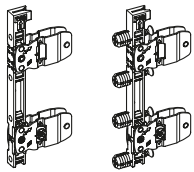
- ▶ Any chosen top edge for drawer side profile
- ▶ For clipping on
- ▶ Plastic, solid coloured

Nominal length mm	Order no. / surface finish			PU
	silver	white	anthracite	
400	9 255 807	9 255 816	9 255 825	1/200 ea.
450	9 255 808	9 255 817	9 255 826	1/200 ea.
500	9 255 809	9 255 818	9 255 827	1/200 ea.

# AvanTech YOU double walled drawer system

- ▶ Pot-and-pan drawer, height 187 mm
- ▶ Powder coated steel, silver / white / anthracite

## 3 A Drawer front connector for drawer side profile, height 187 / 251 mm



- ▶ For screwing on or knocking in
- ▶ Steel

Mounting option	Order no.	PU
for screwing on	<b>9 255 838</b>	1/200 ea.
for knocking in	<b>9 255 839</b>	1/200 ea.

## 5 Rear panel stabiliser



- ▶ For wooden and aluminium rear panels
- ▶ 1 each for  $\geq 600$  mm cabinet width;
- ▶ 2 each  $\geq 800$  mm;
- ▶ 3 each = 1200 mm
- ▶ Plastic

Order no.	PU
<b>9 257 702</b>	1/200 ea.

### Information

▶ Rear panel options	28 - 29	▶ Actro YOU / Quadro YOU drawer runners	44 - 51
▶ Internal front panel options	30 - 35	▶ Push to open Silent	46 / 50
▶ Design options	36 - 38	▶ Quality criteria	87
▶ Other accessories	39 - 42		



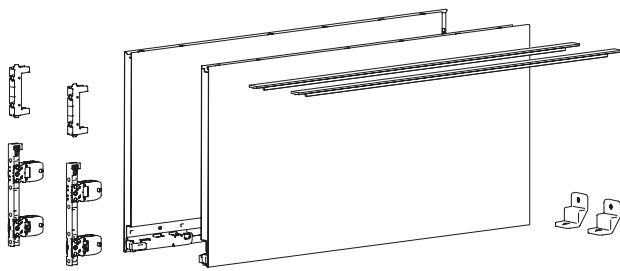
[hettich.com/short/7ebe71](https://hettich.com/short/7ebe71)

# AvanTech YOU double walled drawer system

- ▶ Pot-and-pan drawer, height 251 mm
- ▶ Powder coated steel, silver / white / anthracite



## 1 Drawer side profile set, height 251 mm



- ▶ Integrated vertical, lateral and tilt adjustment
- ▶ Steel, powder coated

Set comprises:

- ▶ **1** 1 drawer side profile, left and right
- ▶ **2** 2 design profiles in drawer side profile colour
- ▶ **3** 2 drawer front connectors for screwing on
- ▶ **3** 2 front connector stabilisers, for screwing on
- ▶ **5** 2 rear panel stabilisers
- ▶ Fixing material

Note:

- ▶ For design options, see pages 36 - 38

Nominal length mm	Order no. / surface finish			PU
	silver	white	anthracite	
350	9 255 273	9 255 313	9 255 353	1 set
400	9 255 274	9 255 314	9 255 354	1 set
450	9 255 275	9 255 315	9 255 355	1 set
500	9 255 276	9 255 316	9 255 356	1 set
550	9 255 277	9 255 317	9 255 357	1 set
600	9 255 278	9 255 318	9 255 358	1 set
650	9 255 279	9 255 319	9 255 359	1 set

## 5 Rear panel stabiliser



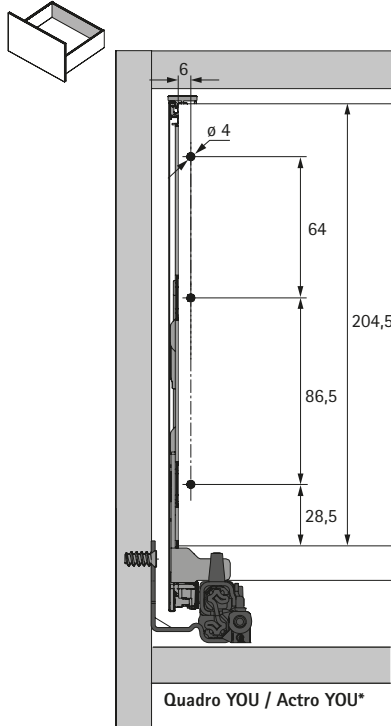
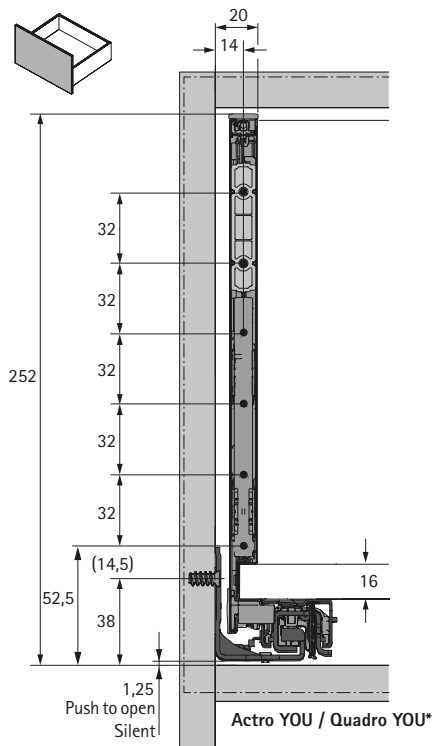
- ▶ For wooden and aluminium rear panels
- ▶ 1 for cabinet body width  $\geq 600$  mm; 2 each for  $\geq 800$  mm; 3 each = 1200 mm
- ▶ Plastic

Order no.	PU
9 257 702	1/200 ea.

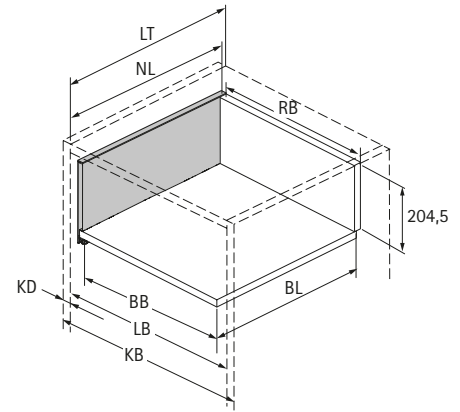
# AvanTech YOU double walled drawer system

- ▶ Pot-and-pan drawer, height 251 mm
- ▶ Powder coated steel, silver / white / anthracite

## Planning / installation dimensions



\* All dimensions identical for Actro YOU and Quadro YOU



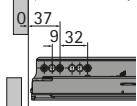
Dimension	mm
BL	NL - 21
BB	LB - 24
RB	LB - 24
LT	NL + 3

BB Bottom panel width	KB Cabinet body width	NL Nominal length	LB Clear inside width
BL Bottom panel length	RB Rear panel width	KD Cabinet body side thicknesses	LT Clear inside depth

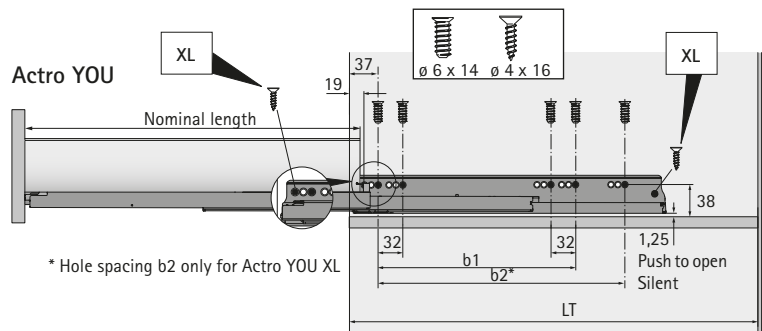
## Positions for attaching Actro YOU / Quadro YOU drawer runner

AvanTech YOU Drawer / pot-and-pan drawer

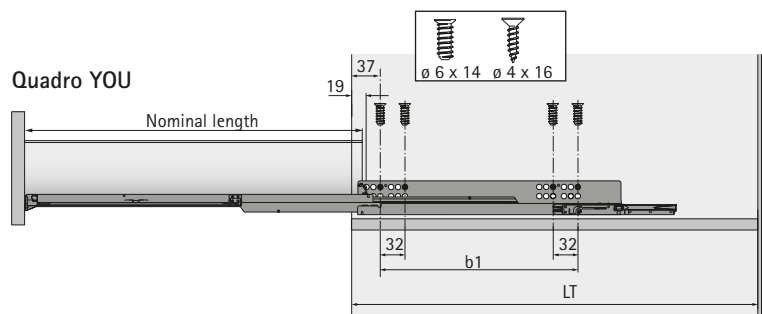
◀ Cabinet body front edge



◀ -3 - 4 mm Push to open Silent



\* Hole spacing b2 only for Actro YOU XL



Nominal length mm	Hole spacing mm b1	b2*
270	160	
300	160	
350	224	
400	224	
450	256	288
500	256	320
550	256	320
600	256	320
650	256	416

## Information

- |                                |         |   |         |
|--------------------------------|---------|---|---------|
| ▶ Rear panel options           | 28 - 29 | ▶ Actro YOU / Quadro YOU drawer runners | 44 - 51 |
| ▶ Internal front panel options | 30 - 35 | ▶ Push to open Silent                   | 46 / 50 |
| ▶ Design options               | 36 - 38 | ▶ Quality criteria                      | 87      |
| ▶ Other accessories            | 39 - 42 |   |         |



[hettich.com/short/c61880](https://hettich.com/short/c61880)

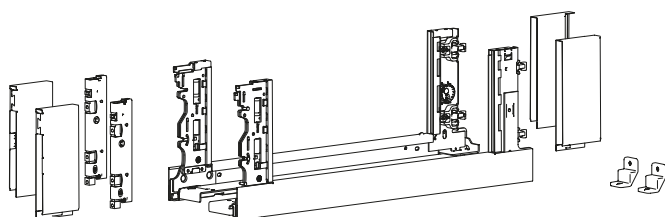


# AvanTech YOU double walled drawer system

- ▶ Inlay pot-and-pan drawer, height 187 mm
- ▶ Powder coated steel, silver / white / anthracite



## 1 Inlay drawer side profile set, height 187 mm



- ▶ Integrated vertical, lateral and tilt adjustment
- ▶ For using materials in a thickness of 10 mm
- ▶ Steel, powder coated

Set comprises:

- ▶ **1** 1 Inlay drawer side profile, left and right
- ▶ 2 caps, front, left and right
- ▶ 2 caps, rear, left and right
- ▶ **3** 2 drawer front connectors for Inlay drawer side profile for screwing on
- ▶ **5** 2 rear panel stabilisers
- ▶ Fixing material

Note:

- ▶ For material thickness of 8 mm please use additional adapter, see page xx
- ▶ For design options, see pages 36 - 38

Nominal length mm	Order no. / surface finish			PU
	silver	white	anthracite	
350	9 257 173	9 257 180	9 257 187	1 set
400	9 257 174	9 257 181	9 257 188	1 set
450	9 257 175	9 257 182	9 257 189	1 set
500	9 257 176	9 257 183	9 257 190	1 set
550	9 257 177	9 257 184	9 257 191	1 set
600	9 257 178	9 257 185	9 257 192	1 set
650	9 257 179	9 257 186	9 257 193	1 set

## 5 Rear panel stabiliser



- ▶ For wooden and aluminium rear panels
- ▶ 1 for cabinet body width  $\geq$  600 mm; 2 each for  $\geq$  800 mm; 3 each = 1200 mm
- ▶ Plastic

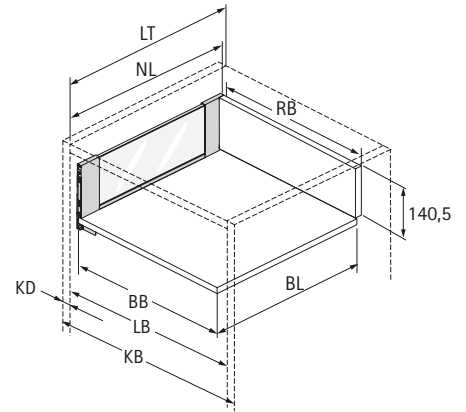
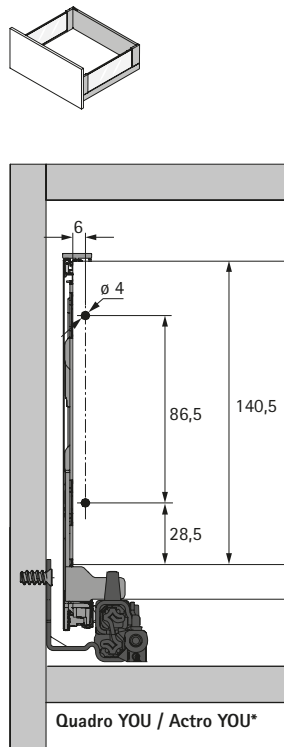
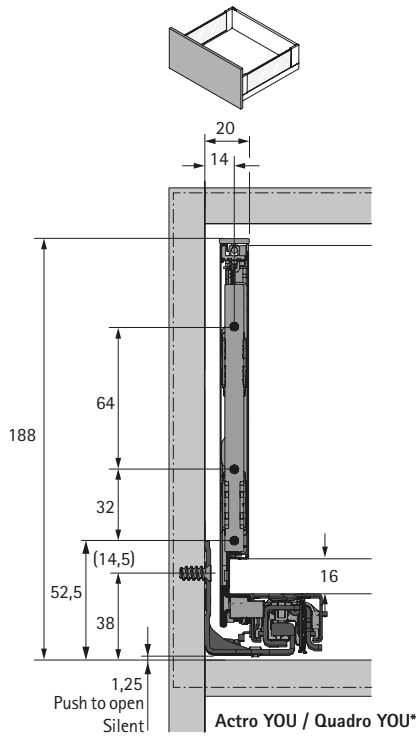
Order no.	PU
9 257 702	1/200 ea.

# AvanTech YOU double walled drawer system

- ▶ Inlay pot-and-pan drawer, height 187 mm
- ▶ Powder coated steel, silver / white / anthracite

## Planning / installation dimensions

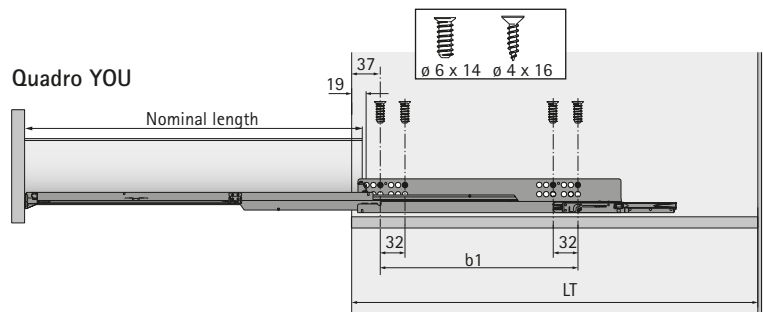
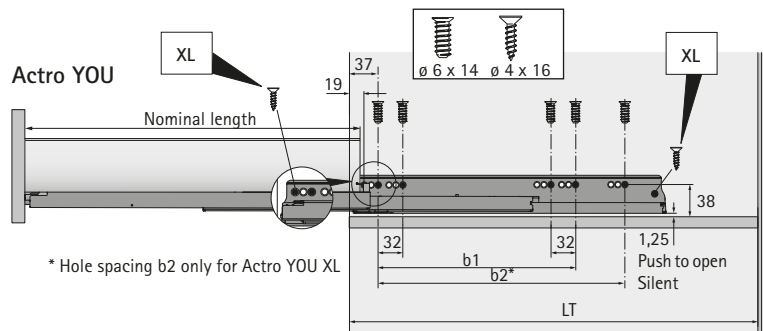
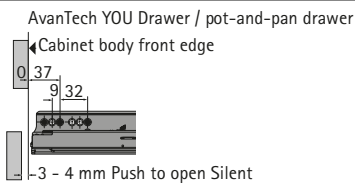
\* All dimensions identical for Actro YOU and Quadro YOU



BB Bottom panel width	KB Cabinet body width	NL Nominal length	LB Clear inside width
BL Bottom panel length	RB Rear panel width	KD Cabinet body side thicknesses	LT Clear inside depth

Dimension	mm
BL	NL - 21
BB	LB - 24
RB	LB - 24
LT	NL + 3
LT	Internal drawer / internal pot-and-pan drawer NL + 12
LT	Internal drawer / internal pot-and-pan drawer Push to open Silent NL + 21

## Positions for attaching Actro YOU / Quadro YOU drawer runner



Nominal length mm	Hole spacing mm b1	b2*
270	160	
300	160	
350	224	
400	224	
450	256	288
500	256	320
550	256	320
600	256	320
650	256	416

## Information

- |                                |         |   |         |
|--------------------------------|---------|---|---------|
| ▶ Rear panel options           | 28 - 29 | ▶ Actro YOU / Quadro YOU drawer runners | 44 - 51 |
| ▶ Internal front panel options | 30 - 35 | ▶ Push to open Silent                   | 46 / 50 |
| ▶ Design options               | 36 - 38 | ▶ Quality criteria                      | 87      |
| ▶ Other accessories            | 39 - 42 |   |         |



[hettich.com/short/48a747](http://hettich.com/short/48a747)

# AvanTech YOU double walled drawer system

- ▶ Inlay pot-and-pan drawer, height 187 mm
- ▶ Powder coated steel, silver / white / anthracite

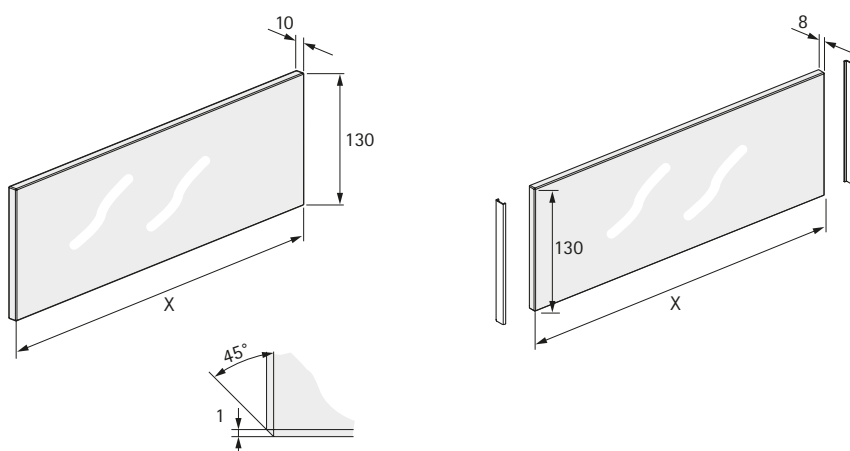
## Adapter for Inlay drawer side profile



- ▶ For using materials in a thickness of 8 mm
- ▶ 2 adapters are required for each drawer side profile
- ▶ Plastic, transparent

Order no.	PU
9 268 677	100 ea.

## Planning / installation dimensions



	10 mm	8 mm
NL mm	X mm	X mm
350	227	225
400	277	275
450	327	325
500	377	375
550	427	425
600	477	475
650	527	525

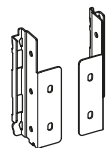
▶ For ready to assembled glass inserts please refer to page 39



# AvanTech YOU double walled drawer system

- ▶ Rear panel
- ▶ Aluminium profile / accessories

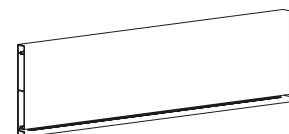
## 8 Connector for rear panel



- ▶ Connector for customised rear panel / rear panel profile for cutting to length
- ▶ Power coated steel

Nominal height mm	Order no. / surface finish / mounting side						PU
	silver		white		anthracite		
	left	right	left	right	left	right	
101	9 257 666	9 257 667	9 257 678	9 257 679	9 257 690	9 257 691	20 ea.
139	9 257 668	9 257 669	9 257 680	9 257 681	9 257 692	9 257 693	20 ea.
187	9 257 670	9 257 671	9 257 682	9 257 683	9 257 694	9 257 695	20 ea.
251	9 257 672	9 257 673	9 257 684	9 257 685	9 257 696	9 257 697	20 ea.

## 9 Rear panel profile for cutting to length



- ▶ For variable and standard cabinet body widths
- ▶ Length 2000 mm
- ▶ Powder coated aluminium

Nominal height mm	Order no. / surface finish			PU
	silver	white	anthracite	
101	9 257 300	9 257 305	9 257 310	1 ea.
139	9 257 301	9 257 306	9 257 311	1 ea.
187	9 257 302	9 257 307	9 257 312	1 ea.
251	9 257 303	9 257 308	9 257 313	1 ea.

### Information

▶ AvanTech YOU drawer	8 - 17	▶ Design options / accessories	36 - 38
▶ AvanTech YOU pot-and-pan drawer	18 - 23	▶ Actro YOU / Quadro YOU drawer runners	44 - 51
▶ AvanTech YOU Inlay pot-and-pan drawer	24 - 26	▶ Push to open Silent	46 / 50
▶ Internal front panel options	30 - 35	▶ Quality criteria	87

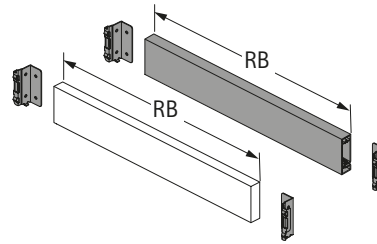
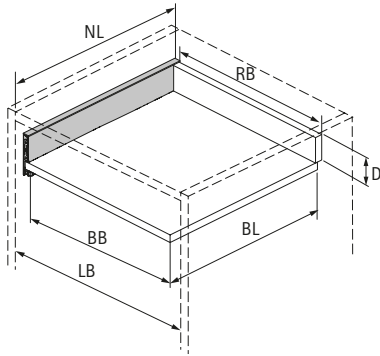
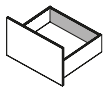


[hettich.com/short/e15a29](https://hettich.com/short/e15a29)

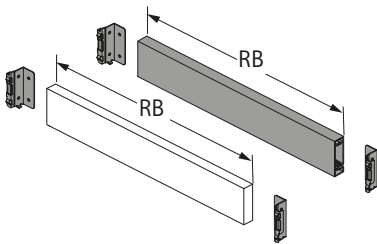
# AvanTech YOU double walled drawer system

- ▶ Rear panel
- ▶ Aluminium profile / accessories

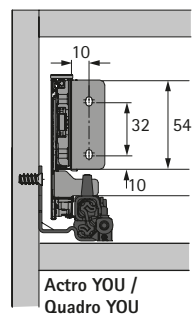
## Planning / installation dimensions



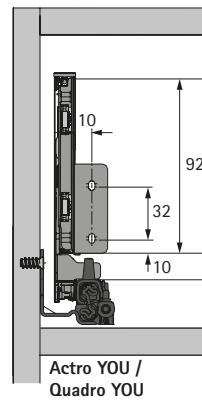
BL	NL - 21
BB	LB - 24
RB	LB - 41
D H 101	54
D H 139	92
D H 187	140,5
D H 251	204,5



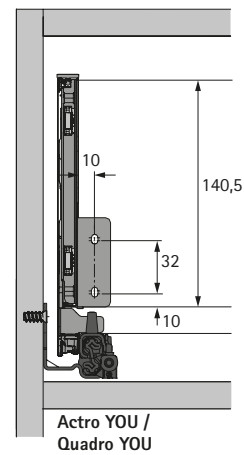
H 101



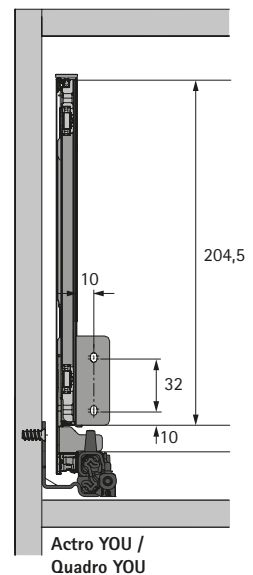
H 139



H 187



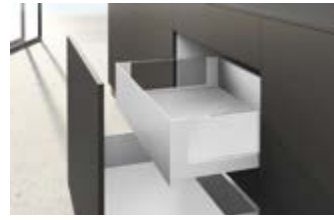
H 251



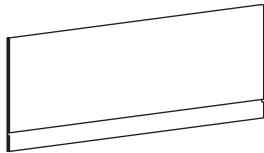
# AvanTech YOU double walled drawer system

- ▶ Front panel for internal drawer / internal pot-and-pan drawer
- ▶ Drawer side profile heights 101, 139, 187 mm

## 6 Front panel for internal drawer / internal pot-and-pan drawer



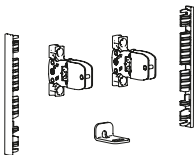
### 6 A Internal front profile for cutting to length



- ▶ **6 B** or **6 C** set of connectors for internal front panel must be ordered separately
- ▶ For variable and standard cabinet body widths
- ▶ Length 2000 mm
- ▶ Powder coated aluminium

Nominal height mm	Order no. / colour			PU
	silver	white	anthracite	
101	9 257 269	9 257 273	9 257 277	1 ea.
139	9 257 270	9 257 274	9 257 278	1 ea.
187	9 257 271	9 257 275	9 257 279	1 ea.

### 6 B Set of connectors for internal front profile for cutting to length, for use with drawer side profile



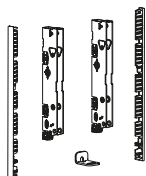
- ▶ For combining with **6 A** internal front profile for cutting to length
- ▶ Steel / plastic

Set comprises:

- ▶ 1 drawer front connector for drawer side profile, left and right
- ▶ 2 end caps
- ▶ 1 stabiliser for internal front panel
- ▶ Fixing material

Nominal height mm	Order no. / colour			PU
	silver	white	anthracite	
101	9 257 611	9 257 615	9 257 619	1 set
139	9 257 612	9 257 616	9 257 620	1 set
187	9 257 613	9 257 617	9 257 621	1 set

### 6 C Set of connectors for internal front profile for cutting to length, for use with Inlay drawer side profile



- ▶ For combining with **6 A** internal front profile for cutting to length
- ▶ Steel / plastic

Set comprises:

- ▶ 1 front connector for Inlay drawer side profile, left and right
- ▶ 2 end caps
- ▶ 1 stabiliser for internal front panel
- ▶ Fixing material

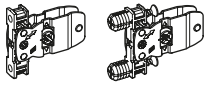
Nominal height mm	Order no. / colour			PU
	silver	white	anthracite	
187	9 257 623	9 257 625	9 257 627	1 set



# AvanTech YOU double walled drawer system

- ▶ Front panel for internal drawer / internal pot-and-pan drawer
- ▶ Drawer side profile heights 101, 139, 187 mm

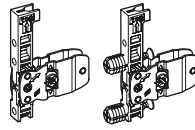
## 3 A Drawer front connector for drawer side profile, height 101 mm



- ▶ For screwing on or knocking in
- ▶ Steel

Mounting option	Order no.	PU
for screwing on	9 255 835	1/200 ea.
for knocking in	9 255 836	1/200 ea.

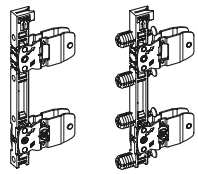
## 3 A Drawer front connector for drawer side profile, height 139 mm



- ▶ For screwing on or knocking in
- ▶ Steel

Mounting option	Order no.	PU
for screwing on	9 257 884	1/200 ea.
for knocking in	9 257 885	1/200 ea.

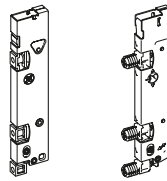
## 3 A Drawer front connector for drawer side profile, height 187 mm



- ▶ For screwing on or knocking in
- ▶ Steel

Mounting option	Order no.	PU
for screwing on	9 255 838	1/200 ea.
for knocking in	9 255 839	1/200 ea.

## 3 B Drawer front connector for Inlay drawer side profile, height 187 mm



- ▶ For screwing on or knocking in
- ▶ Steel

Mounting option	Order no.	PU
for screwing on	9 257 257	1/200 ea.
for knocking in	9 257 258	1/200 ea.

## 4 B Stabiliser for internal front panel



- ▶ For stabilising wide internal front panels
- ▶ Recommended for cabinet bodies in widths of 600 mm and over
- ▶ Plastic

Order no.	PU
9 257 641	100 ea.

## Catch for internal front panel profile



- ▶ Not suitable for customisable internal front panel
- ▶ Plastic

- Set comprises:
- ▶ 1 catch
  - ▶ 1 housing for catch
  - ▶ Fixing material

Order no. / colour			PU
silver	white	anthracite	
9 257 734	9 257 735	9 257 736	1 set

## Information

▶ AvanTech YOU drawer	8 - 17	▶ Design options / accessories	36 - 38
▶ AvanTech YOU pot-and-pan drawer	18 - 23	▶ Actro YOU / Quadro YOU drawer runners	44 - 51
▶ AvanTech YOU Inlay pot-and-pan drawer	24 - 26	▶ Push to open Silent	46 / 50
▶ Rear panel options	28 - 29	▶ Quality criteria	87

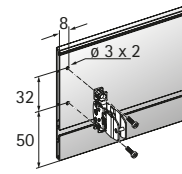
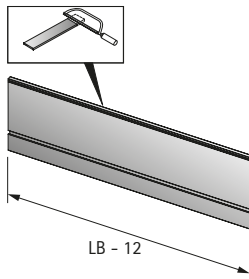
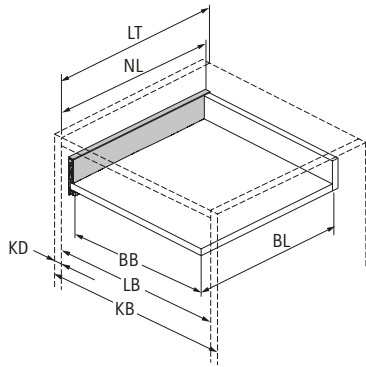


[hettich.com/short/0f9fe2](https://hettich.com/short/0f9fe2)

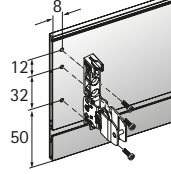
# AvanTech YOU double walled drawer system

- ▶ Front panel for internal drawer / internal pot-and-pan drawer
- ▶ Drawer side profile heights 101, 139, 187 mm

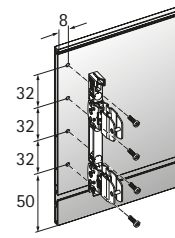
## Planning / installation dimensions



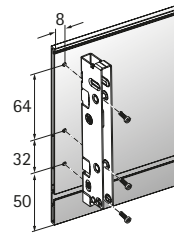
H 101



H 139



H 187

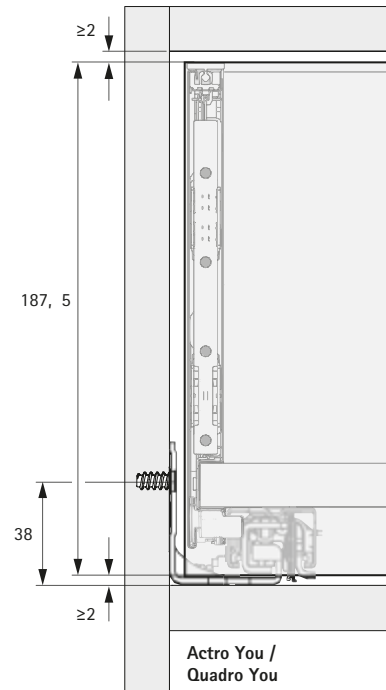
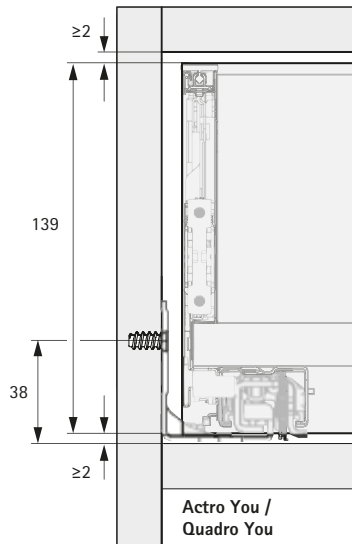
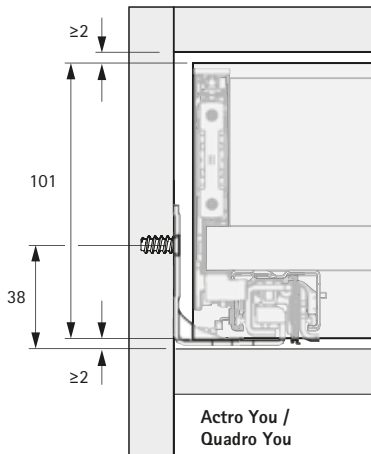


Inlay

H 101

H 139

H 187



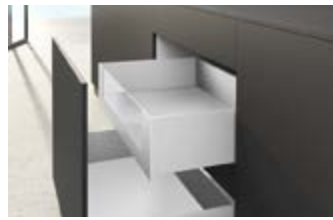
BB Bottom panel width	KB Cabinet body width	NL Nominal length	LB Clear inside width
BL Bottom panel length	RB Rear panel width	KD Cabinet body side thicknesses	LT Clear inside depth



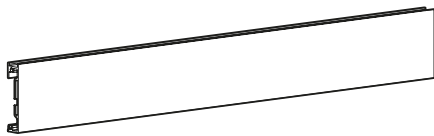
# AvanTech YOU double walled drawer system

- ▶ Customisable front panel for internal pot-and-pan drawer
- ▶ Drawer side profile height 187 mm

## 7 Customisable front panel for internal drawer / pot-and-pan drawer



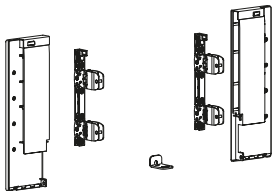
### 7 A Support profile for customisable internal front panel



- ▶ **7 B** or **7 C** Connector for customisable front panel must be ordered separately
- ▶ For using materials in a thickness of 10 mm
- ▶ For variable and standard cabinet body widths
- ▶ Length 2000 mm
- ▶ Powder coated aluminium

Nominal height mm	Order no. / colour			PU
	silver	white	anthracite	
187	9 257 663	9 257 664	9 257 665	1 ea.

### 7 B Set of connectors for customisable front panel, height 187 mm, for use with drawer side profile



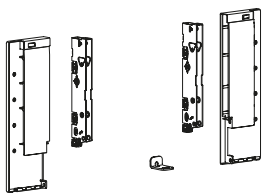
- ▶ **7 A** Support profile for customisable internal front panel must be ordered separately
- ▶ For combining with 10 mm glass inlay or any chosen material
- ▶ With premounted drawer front connector
- ▶ Powder coated steel

Set comprises:

- ▶ 1 connector for customisable internal front panel, left and right
- ▶ 1 drawer front connector for drawer side profile, left and right
- ▶ 1 cover cap, left and right
- ▶ Fixing material

Nominal height mm	Order no. / colour			PU
	silver	white	anthracite	
187	9 257 651	9 257 652	9 257 653	1 set

### 7 C Connector for customisable front panel, height 187 mm, for use with Inlay drawer side profile



- ▶ **7 A** Support profile for customisable internal front panel must be ordered separately
- ▶ For combining with 10 mm glass inlay or any chosen material
- ▶ With premounted drawer front connector
- ▶ Powder coated steel

Set comprises:

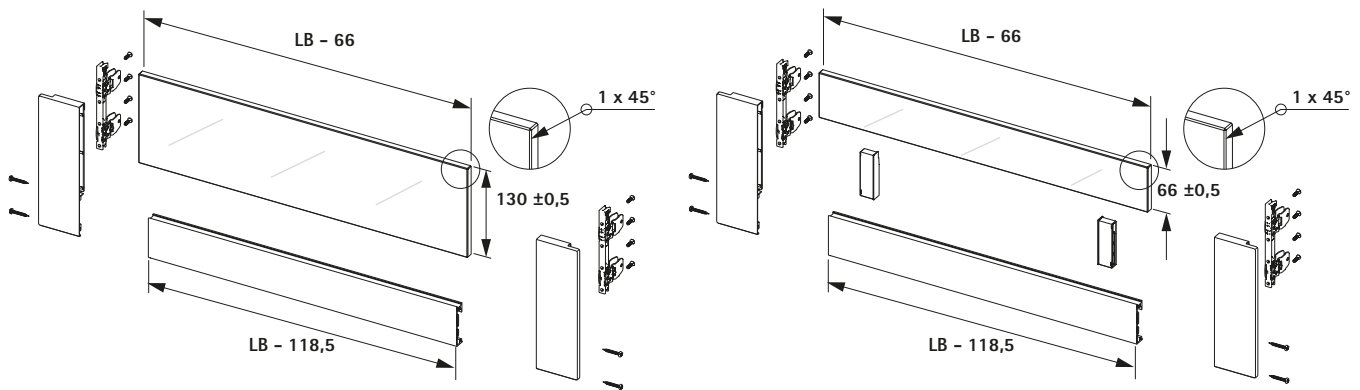
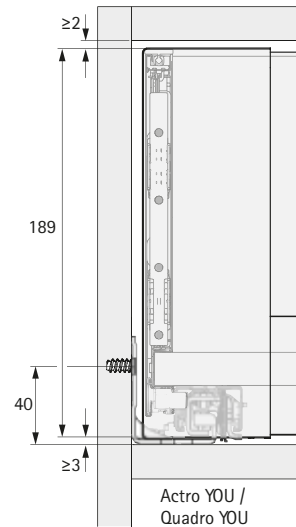
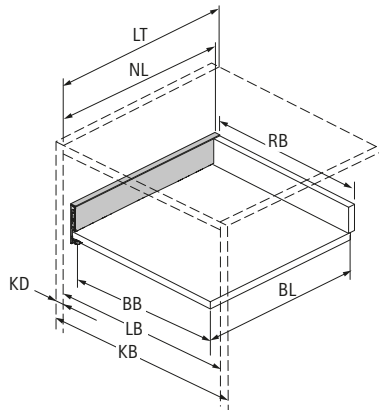
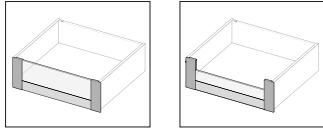
- ▶ 1 connector for customisable internal front panel, left and right
- ▶ 1 front connector for Inlay drawer side profile, left and right
- ▶ 1 cover cap, left and right
- ▶ Fixing material

Nominal height mm	Order no. / colour			PU
	silver	white	anthracite	
187	9 257 657	9 257 658	9 257 659	1 set

# AvanTech YOU double walled drawer system

## ► Customisable front panel for internal pot-and-pan drawer

### Planning / installation dimensions



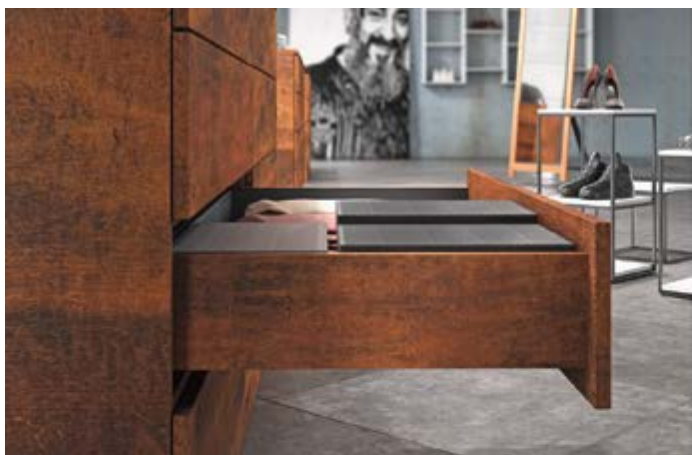
BB Bottom panel width	KB Cabinet body width	NL Nominal length	LB Clear inside width
BL Bottom panel length	RB Rear panel width	KD Cabinet body side thicknesses	LT Clear inside depth

### Information

► AvanTech YOU drawer	8 - 17	► Design options / accessories	36 - 38
► AvanTech YOU pot-and-pan drawer	18 - 23	► Actro YOU / Quadro YOU drawer runners	44 - 51
► AvanTech YOU Inlay pot-and-pan drawer	24 - 26	► Push to open Silent	46 / 50
► Rear panel options	28 - 29	► Quality criteria	87



[hettich.com/short/4bc65a](https://hettich.com/short/4bc65a)



### AvanTech YOU fascinates!

The AvanTech YOU drawer system provides a huge amount of design flexibility in terms of colour, shape and material, giving you the key to successfully turning your own furniture design ideas into reality. Incredibly easy to achieve with AvanTech YOU, whatever personal character you want a design to reflect is a matter for you to decide. With a simple click, design profiles or DesignCapes conjure an accentuated, visual transformation. AvanTech YOU Inlay, the elegant drawer side profile with glass inlay, does away

with the boundaries between space and furniture and focuses the eye on furniture design. With this versatile system, however, you can let your own imagination run free. With the option of using any chosen materials, your ideas become distinctive solutions that stand apart! Whether for use in the bathroom, living room or kitchen – your wishes are easily fulfilled with the broad diversity of this product range and the many different ways of creating furniture with a look of individuality.

# AvanTech YOU double walled drawer system

## ► Design options



### 2 B Design profile in accent colour



- Any chosen top edge for drawer side profile
- For clipping on
- Plastic, foil wrapped

Nominal length mm	Order no. / surface finish					PU
	aluminium	stainless steel	chrome	oak	walnut	
270	9 255 759	9 255 768	9 255 777	9 255 786	9 255 795	1/100 ea.
300	9 255 760	9 255 769	9 255 778	9 255 787	9 255 796	1/100 ea.
350	9 255 761	9 255 770	9 255 779	9 255 788	9 255 797	1/100 ea.
400	9 255 762	9 255 771	9 255 780	9 255 789	9 255 798	1/100 ea.
450	9 255 763	9 255 772	9 255 781	9 255 790	9 255 799	1/100 ea.
500	9 255 764	9 255 773	9 255 782	9 255 791	9 255 800	1/100 ea.
550	9 255 765	9 255 774	9 255 783	9 255 792	9 255 801	1/100 ea.
600	9 255 766	9 255 775	9 255 784	9 255 793	9 255 802	1/100 ea.
650	9 255 767	9 255 776	9 255 785	9 255 794	9 255 803	1/100 ea.

### 2 C Customisable design profile

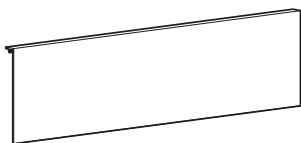


- Support for any chosen versions of the design profile
- Length 2000 mm
- For clipping on
- Grey plastic with adhesive strip

Order no.	PU
9 255 831	1/50 ea.



### 12 DesignCape



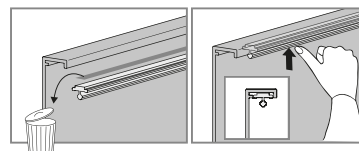
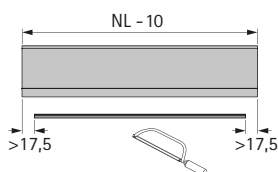
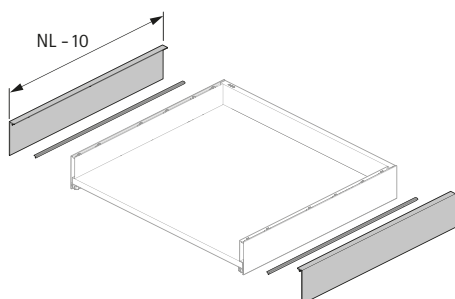
- For clipping on
- Length 2000 mm
- Aluminium

Set comprises:

- Aluminium profile
- Fixing material

Nominal height mm	Order no. / surface finish		PU
	aluminium look	stainless steel look	
101	9 257 643	9 257 647	1 set
187	9 257 645	9 257 649	1 set

### Installation



### 13 Branding clip



- Available on request with any chosen imprint or customer logo
- For clipping on
- Plastic

Finish	Order no.	PU
silver with Hettich logo	9 257 703	1/200 ea.
white with Hettich logo	9 257 704	1/200 ea.
anthracite with Hettich logo	9 257 705	1/200 ea.
silver	9 270 185	1/200 ea.
white	9 270 186	1/200 ea.
anthracite	9 270 187	1/200 ea.

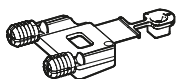
### Information

► AvanTech YOU drawer	8 - 17	► Actro YOU / Quadro YOU drawer runners	44 - 51
► AvanTech YOU pot-and-pan drawer	18 - 23	► Push to open Silent	46 / 50
► AvanTech YOU Inlay pot-and-pan drawer	24 - 26	► Quality criteria	87
► Rear panel options	28 - 29		



[hettich.com/short/52d4ec](https://hettich.com/short/52d4ec)

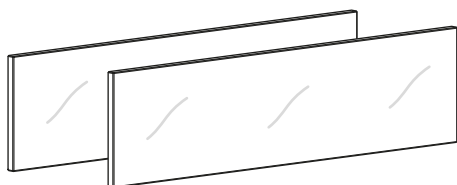
### 4 A Front stabiliser



- For stabilising wide and / or high front panels
- Recommended for use in cabinet bodies in widths of 600 mm and over and / or front panel heights of 450 mm
- Plastic, anthracite

Order no.	PU
9 123 080	1/150 ea.

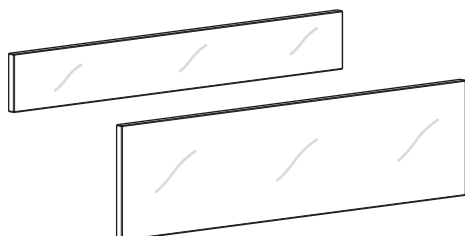
### Glass inserts for AvanTech YOU Inlay drawer side profile



- Clear glass, satin finished edge

Nominal length mm	Order no.	PU
350	9 283 178	1 set
400	9 283 179	1 set
450	9 283 180	1 set
500	9 283 181	1 set
550	9 283 182	1 set
600	9 283 183	1 set
650	9 283 184	1 set

### Glass inserts for AvanTech YOU customisable internal front panel



- Clear glass, satin finished edge

Cabinet body width mm	Order no. / height mm		PU
	height 66 mm	height 130 mm	
450	9 283 185	9 283 189	1 ea.
600	9 283 186	9 283 190	1 ea.
900	9 283 187	9 283 191	1 ea.
1200	9 283 188	9 283 192	1 ea.

### Information

► AvanTech YOU drawer	8 - 17	► Actro YOU / Quadro YOU drawer runners	44 - 51
► AvanTech YOU pot-and-pan drawer	18 - 23	► Push to open Silent	46 / 50
► AvanTech YOU Inlay pot-and-pan drawer	24 - 26	► Quality criteria	87
► Rear panel options	28 - 29		



[hettich.com/short/233e1f](https://hettich.com/short/233e1f)

## AvanTech YOU double walled drawer system

- ▶ Other accessories
- ▶ Connection for front panels from 10 mm

Fascinated by solutions.  
We call it

# Fascin[action]

Feel style



### Excitingly different

Whether an airy light purist look, classy combined facing panels in glass or exclusive materials – your creative flexibility is suddenly endless. Drawer front panels can be reduced to a thickness of 10 mm. This also makes a lightweight front in heavy materials. With unchanged attachment positions, all very easy and straightforward.

Ideal in combination with Sensys thin door hinges for an overall look of harmony.

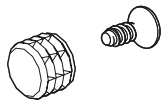
### Technical details in brief

- ▶ For front panels in thicknesses of 10 mm and over
- ▶ 10 mm socket for optimum fit in soft materials (MDF transverse tensile strength  $> 0.6 \text{ N/mm}^2$ , chipboard transverse tensile strength  $> 0.45 \text{ N/mm}^2$ )
- ▶ Self tapping screws for optimum fit in hard materials (e.g. solid surface material, natural stone, artificial stone, ceramic)
- ▶ Use with standard drawer front connector
- ▶ The attachment method must be suitable for the type and quality of door material and tested for a secure fit

# AvanTech YOU double walled drawer system

- ▶ Other accessories
- ▶ Connection for front panels from 10 mm

## Connector for front panels from 10 mm



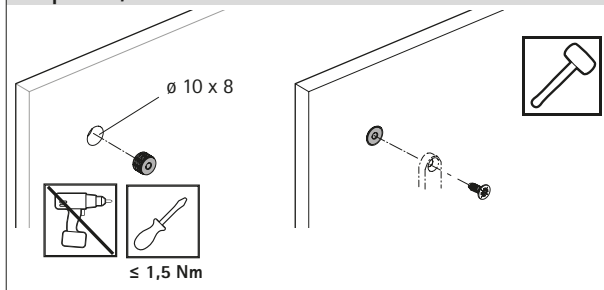
Set comprises:

- ▶ 10 sockets,  $\varnothing 10 \times 8$  mm
- ▶ 10 self tapping screws,  $\varnothing 3.5 \times 16$  mm

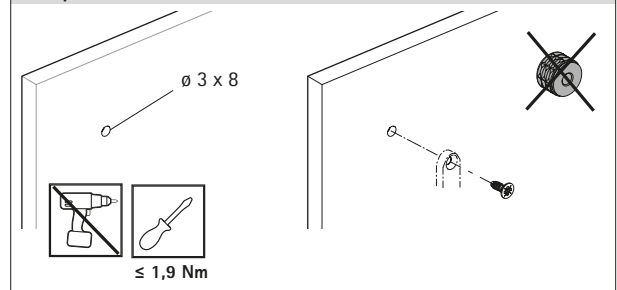
Order no.	PU
9 268 149	1 set

## Installation

### Chipboard, MDF



### HPL, solid surface materials



[www.hettich.com/short/b3b596](http://www.hettich.com/short/b3b596)

The attachment method must be suitable for the type and quality of door material and tested for a secure fit.

# AvanTech YOU double walled drawer system

- ▶ Other accessories
- ▶ Screws

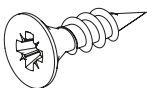
## Direct fixing screws



- ▶ Countersunk head
- ▶ Pozidrive screw
- ▶ Steel

Dimensions mm	Finish	Order no.	PU
ø 6 x 14	nickel plated	<b>9 137 114</b>	200 ea.
ø 6.3 x 14	galvanised	<b>0 051 265</b>	200 ea.

## Chipboard screws / countersunk head



- ▶ Countersunk head
- ▶ Pozidrive screw
- ▶ Steel

Dimensions mm	Finish	Order no.	PU
ø 3.5 x 16	nickel plated	<b>0 071 925</b>	200 ea.
ø 4 x 16	nickel plated	<b>0 010 085</b>	200 ea.

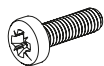
## Chipboard screws / panhead



- ▶ Panhead
- ▶ Pozidrive screw
- ▶ Steel

Dimensions mm	Finish	Order no.	PU
ø 3.5 x 6.5	galvanised	<b>9 278 225</b>	200 ea.
ø 3.5 x 12	galvanised	<b>0 045 167</b>	200 ea.
ø 3.5 x 20	galvanised	<b>0 045 168</b>	200 ea.
ø 3.5 x 30	galvanised	<b>9 278 224</b>	200 ea.

## Self tapping screw / panhead



- ▶ Panhead
- ▶ Pozidrive screw
- ▶ Steel

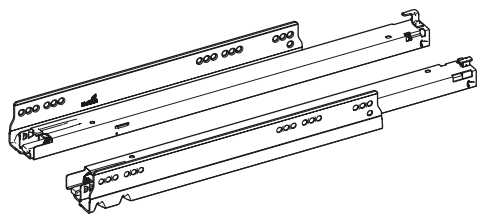
Dimensions mm	Finish	Order no.	PU
ø 3.5 x 12	galvanised	<b>9 279 197</b>	100 ea.



# AvanTech YOU double walled drawer system

- ▶ Actro YOU drawer runner with Silent System
- ▶ For AvanTech YOU or wooden drawers

## 11 A Actro YOU drawer runner with Silent System



- ▶ Full extension runner for combining with AvanTech YOU system drawer or wooden drawer with catches
- ▶ Integrated Silent System
- ▶ Optionally upgradable with Push to open Silent
- ▶ Load capacity 10 / 40 / 70 kg
- ▶ Load capacity to EN 15338, Level 3
- ▶ Galvanised steel

### Load class S (10 kg)

Nominal length mm	Order no.	PU
270	9 256 968	1 pair
300	9 256 969	1 pair
350	9 256 971	1 pair

### Load class L (40 kg)

Nominal length mm	Order no. / mounting side		PU	Order no.	PU
	left	right			
270	-	-		9 256 999	1 pair
300	-	-		9 257 000	1 pair
350	-	-		9 257 002	1 pair
400	9 256 984	9 256 985	10 ea.	9 257 004	1 pair
450	9 256 988	9 256 989	10 ea.	9 257 006	1 pair
500	9 256 992	9 256 993	10 ea.	9 257 008	1 pair
550	-	-		9 257 010	1 pair
600	-	-		9 268 681	1 pair

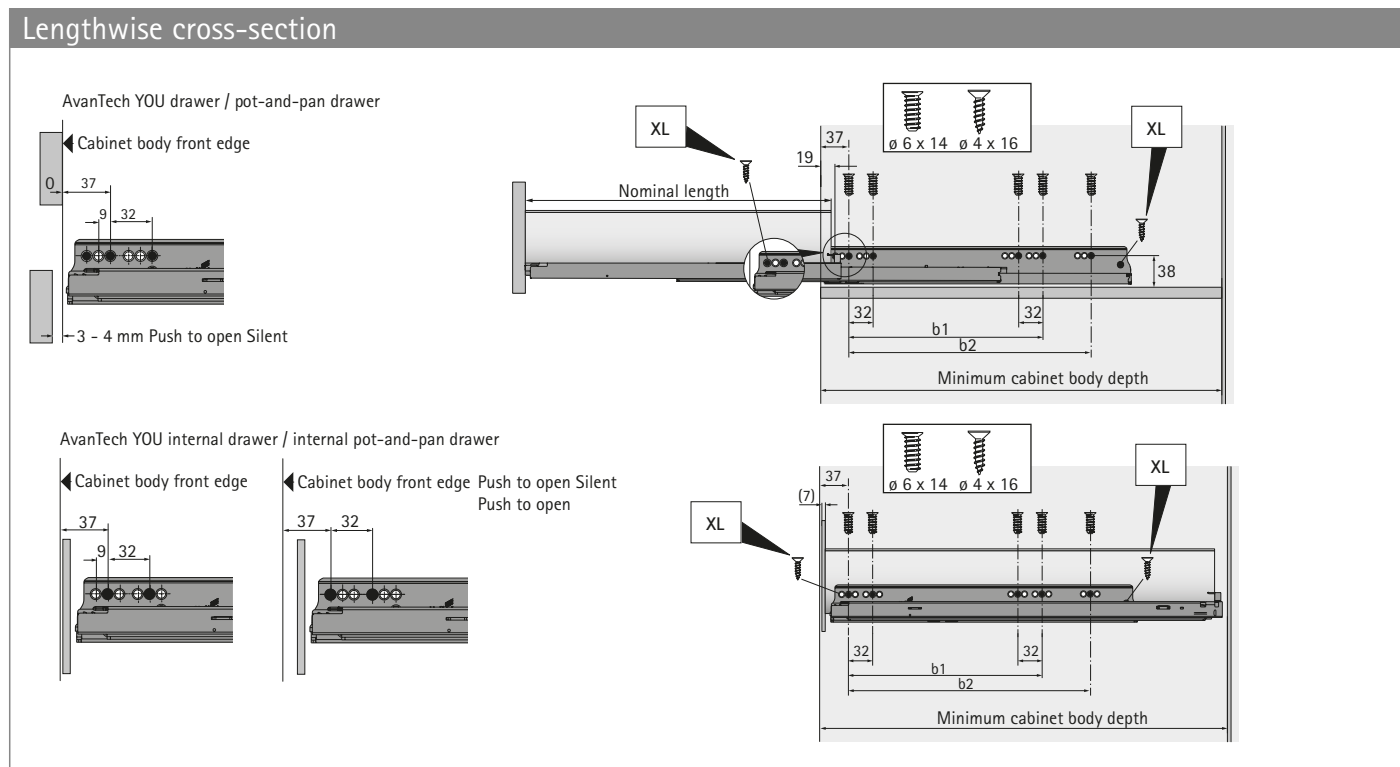
### Load class XL (70 kg)

Nominal length mm	Order no.	PU
450	9 257 034	1 pair
500	9 257 036	1 pair
550	9 257 038	1 pair
600	9 257 040	1 pair
650	9 257 041	1 pair



# AvanTech YOU double walled drawer system

- ▶ Actro YOU drawer runner with Silent System
- ▶ For AvanTech YOU or wooden drawers

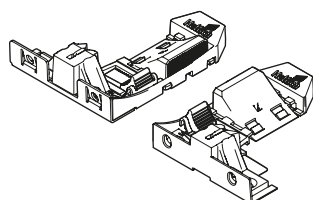


### Installation dimensions with Silent System / Push to open Silent

Nominal length mm	Hole spacing b1 mm	Hole spacing b2 mm*	Drawer / pot-and-pan drawer Minimum cabinet body depth mm	Internal drawer / internal pot-and-pan drawer Minimum cabinet body depth mm
270	160		273	282
300	160		303	312
350	224		353	362
400	224		403	412
450	256	288	453	462
500	256	320	503	512
550	256	320	553	562
600	256	320	603	612
650	256	416	653	662

\* Hole spacing b2 only for Actro XL

### Actro YOU catch



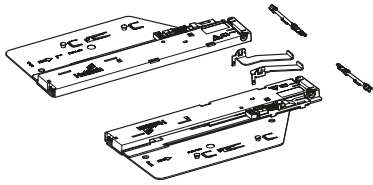
- ▶ For using Actro YOU with wooden drawers
- ▶ Height adjustment up to + 3 mm
- ▶ Zinc die-cast / plastic

Cabinet side	Order no.	PU
left / right	<b>9 257 265</b>	1/5 pair
left	<b>9 257 263</b>	100 ea.
right	<b>9 257 264</b>	100 ea.

# AvanTech YOU double walled drawer system

## ► Push to open Silent opening system for Actro YOU

### Push to open Silent opening system for Actro YOU



- Can be used with AvanTech YOU system drawer on Actro YOU drawer runner with Silent System
- Optional synchronisation possible

Set comprises:

- 1 Push to open Silent unit, left and right
- 1 activator, left and right
- 2 adapters for synchronisation

Total weight kg	Actro kg	Nominal length mm	Order no.	PU
< 10	10	270 - 350	<b>9 257 890</b>	1 set
8 - 20	40	270 - 650	<b>9 257 891</b>	1 set
10 - 40	40	270 - 650	<b>9 257 892</b>	1 set
20 - 70	70	400 - 650	<b>9 257 893</b>	1 set

### Recommendation for drawer (front panel height up to approx. 150 mm)\*

Nominal length mm	Nominal width mm											
	275	300	350	400	500	600	700	800	900	1000	1100	1200
270												
300												
350												
400												
450												
500												
550												
650												

### Recommendation for pot-and-pan drawer (front panel height up to approx. 300 mm, light to medium duty loading)\*

Nominal length mm	Nominal width mm											
	275	300	350	400	500	600	700	800	900	1000	1100	1200
270												
300												
350												
400												
450												
500												
550												
650												

### Recommendation for pot-and-pan drawer (front panel height up to approx. 300 mm, carrying heavy load, e.g. with stacks of plates)\*

Nominal length mm	Nominal width mm											
	275	300	350	400	500	600	700	800	900	1000	1100	1200
270												
300												
350												
400												
450												
500												
550												
650												

Order no. Push to open Silent:

**9 257 890**

**9 257 891**

**9 257 892**

**9 257 893**

\* Recommendations for applications (front panel 19 mm chipboard, normal household loading), please refer to our online configurator to get more exact recommendations for customer chosen front panel dimensions and materials.

# AvanTech YOU double walled drawer system

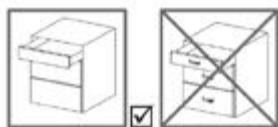
## ► Push to open Silent opening system for Actro YOU

### Optional synchronisation for Push to open Silent



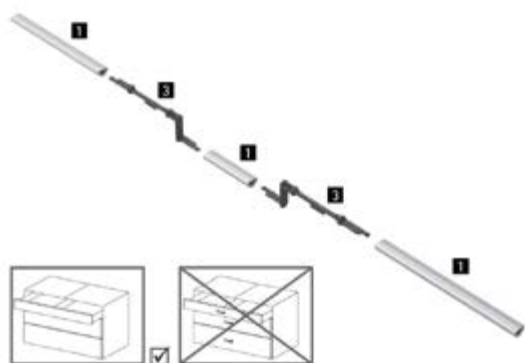
- Synchronisation bar:
- For cutting to length
  - Length 2000 mm
  - Aluminium anodised

- Connector:
- For connecting 2 synchronisation bars
  - Plastic, grey.



Article	Order no.	PU
<b>1</b> Synchronisation bar	<b>9 236 718</b>	1/100 ea.
<b>2</b> Connectors	<b>9 221 295</b>	1/20 ea.

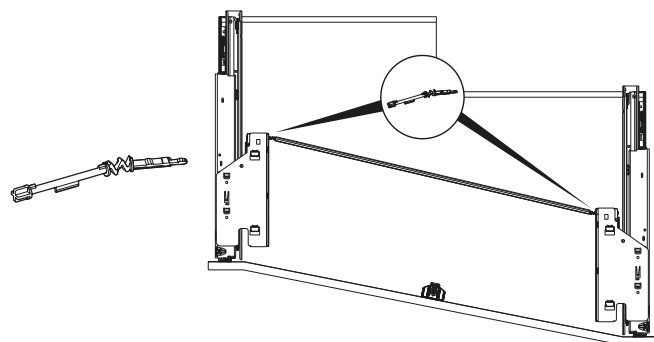
### Optional multisynchronisation for Push to open Silent



- Synchronisation bar for cutting to length, 2000 mm
- Aluminium, anodised, grey plastic

Article	Order no.	PU
<b>1</b> Synchronisation bar	<b>9 236 718</b>	1/100 ea.
<b>3</b> Connectors	<b>9 278 452</b>	1/200 ea.

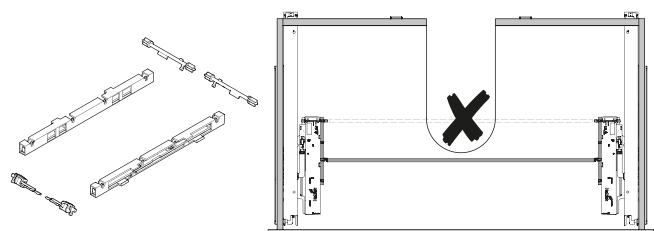
### Optional flexible adapter for synchronisation



- For use in conjunction with lowered drawer runners (angled fronts)
- Replaces the adapter for synchronisation in the Push to open Silent set

Order no.	PU
<b>9 262 213</b>	1/20 ea.

### Optional synchronisation deflector for Push to open Silent



- For moving the synchronisation bar by 50, 90 or 140 mm

- Set comprises:
- 2 housings
  - 2 adapters for Push to open unit
  - 2 adapters for synchronisation bar

Order no.	PU
<b>9 278 453</b>	1 set

### Information

► AvanTech YOU drawer	8 - 17	► Design options / accessories	36 - 38
► AvanTech YOU pot-and-pan drawer	18 - 23	► Push to open Silent	46 / 50
► AvanTech YOU Inlay pot-and-pan drawer	24 - 26	► Quality criteria	87
► Rear panel options	28 - 29		

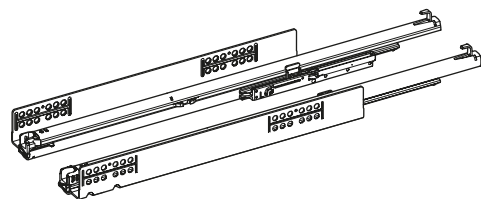


[hettich.com/short/c1ccfc](http://hettich.com/short/c1ccfc)

# AvanTech YOU double walled drawer system

- ▶ Quadro YOU drawer runner with Silent System
- ▶ For AvanTech YOU or wooden drawers

## 11 B Quadro YOU drawer runner with Silent System



- ▶ Full extension runner for combining with AvanTech YOU system drawer or wooden drawer with catches
- ▶ Integrated Silent System
- ▶ Optionally upgradable with Push to open Silent
- ▶ Load capacity 10 / 30 kg
- ▶ Load capacity to EN 15338, Level 3
- ▶ Galvanised steel

### Load class S (10 kg)

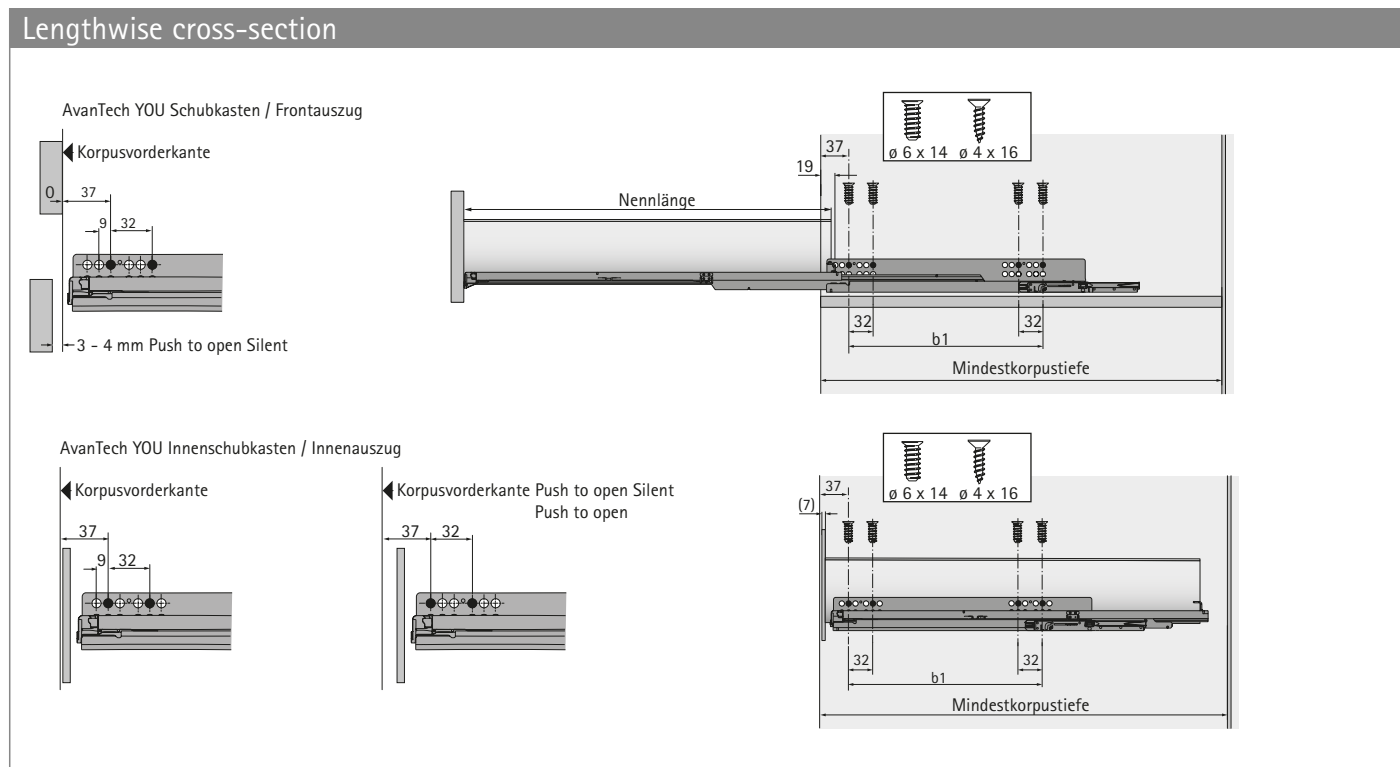
Nominal length mm	Order no.	PU
270	9 256 953	1 pair
300	9 256 954	1 pair
350	9 256 956	1 pair

### Load class M (30 kg)

Nominal length mm	Order no. / mounting side		PU	Order no.	PU
	left	right			
270	-	-		9 256 883	1 pair
300	-	-		9 256 884	1 pair
350	-	-		9 256 886	1 pair
400	9 256 864	9 256 865	20 ea.	9 256 888	1 pair
450	9 256 868	9 256 869	20 ea.	9 256 890	1 pair
500	9 256 872	9 256 873	20 ea.	9 256 892	1 pair
550	-	-		9 256 894	1 pair
600	-	-		9 256 896	1 pair

# AvanTech YOU double walled drawer system

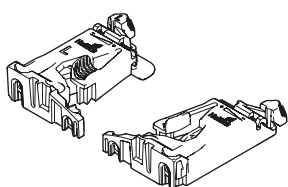
- ▶ Quadro YOU drawer runner with Silent System
- ▶ For AvanTech YOU or wooden drawers



## Installation dimensions with Silent System / Push to open Silent

Nominal length mm	Hole spacing b1 mm	Drawer / pot-and-pan drawer Minimum cabinet body depth mm	Internal drawer / internal pot-and-pan drawer Minimum cabinet body depth mm
270	160	273	282
300	160	303	312
350	224	353	362
400	224	403	412
450	256	453	462
500	256	503	512
550	256	553	562
600	256	603	612

## Quadro YOU catch



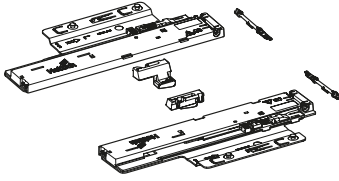
- ▶ For using Quadro YOU with wooden drawers
- ▶ Height adjustment up to + 3 mm
- ▶ Plastic

Cabinet side	Order no.	PU
left / right	<b>9 257 262</b>	1/5 pair
left	<b>9 257 260</b>	100 ea.
right	<b>9 257 261</b>	100 ea.

# AvanTech YOU double walled drawer system

## ► Push to open Silent opening system for Quadro YOU

### Push to open Silent opening system for Quadro YOU



- Can be used with AvanTech YOU system drawer on Quadro YOU drawer runner with Silent System
- Optional synchronisation possible

Set comprises:

- 1 Push to open Silent unit, left and right
- 1 activator, left and right
- 2 adapters for synchronisation

Total weight kg	Load class Quadro kg	Nominal length mm	Order no.	PU
< 10	10	270 - 350	<b>9 257 894</b>	1 set
8 - 20	30	270 - 600	<b>9 257 895</b>	1 set
10 - 30	30	350 - 600	<b>9 257 896</b>	1 set

### Recommendation for drawer (front panel height up to approx. 150 mm, light loading)\*

Nominal length mm	Nominal width mm												
	275	300	350	400	450	500	550	600	700	800	900	1000	1200
270													
300													
350													
400													
450													
500													
550													
600													

### Recommendation for pot-and-pan drawer (front panel height up to approx. 300 mm, medium duty loading)\*

Nominal length mm	Nominal width mm												
	275	300	350	400	450	500	550	600	700	800	900	1000	1200
270													
300													
350													
400													
450													
500													
550													
600													

### Recommendation for pot-and-pan drawer, heavy duty (front panel height up to approx. 300 mm, heavy duty loading, e.g. with stacks of plates)\*

Nominal length mm	Nominal width mm												
	275	300	350	400	450	500	550	600	700	800	900	1000	1200
270													
300													
350													
400													
450													
500													
550													
600													

Order no. Push to open Silent:

**9 257 894**

**9 257 895**

**9 257 896**

\* Recommendations for applications (front panel 19 mm chipboard, normal household loading), please refer to our online configurator to get more exact recommendations for customer chosen front panel dimensions and materials.

# AvanTech YOU double walled drawer system

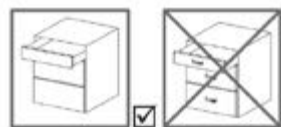
## ▶ Push to open Silent opening system for Quadro YOU

### Optional synchronisation for Push to open Silent



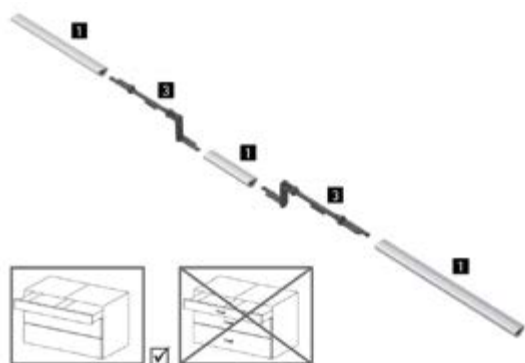
- Synchronisation bar:
- ▶ For cutting to length
  - ▶ Length 2000 mm
  - ▶ Aluminium anodised

- Connector:
- ▶ For connecting 2 synchronisation bars
  - ▶ Plastic, grey.



Article	Order no.	PU
<b>1</b> Synchronisation bar	<b>9 236 718</b>	1/100 ea.
<b>2</b> Connectors	<b>9 221 295</b>	1/20 ea.

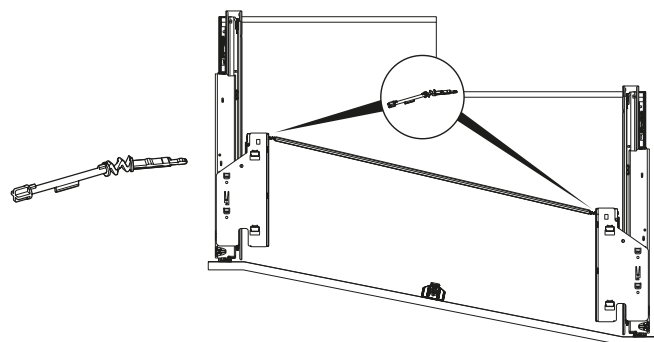
### Optional multisynchronisation for Push to open Silent



- ▶ Synchronisation bar for cutting to length, 2000 mm
- ▶ Aluminium, anodised, grey plastic

Article	Order no.	PU
<b>1</b> Synchronisation bar	<b>9 236 718</b>	1/100 ea.
<b>3</b> Connectors	<b>9 278 452</b>	1/200 ea.

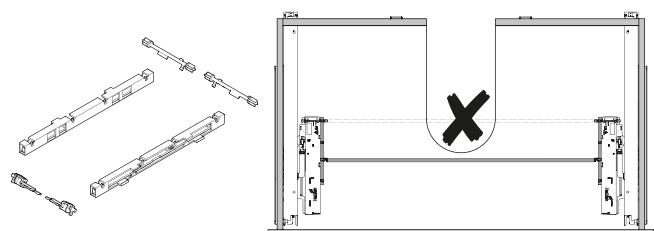
### Optional flexible adapter for synchronisation



- ▶ For use in conjunction with lowered drawer runners (angled fronts)
- ▶ Replaces the adapter for synchronisation in the Push to open Silent set

Order no.	PU
<b>9 262 213</b>	1/20 ea.

### Optional synchronisation deflector for Push to open Silent



- ▶ For moving the synchronisation bar by 50, 90 or 140 mm

- Set comprises:
- ▶ 2 housings
  - ▶ 2 adapters for Push to open unit
  - ▶ 2 adapters for synchronisation bar

Order no.	PU
<b>9 278 453</b>	1 set

### Information

▶ AvanTech YOU drawer	8 - 17	▶ Design options / accessories	36 - 38
▶ AvanTech YOU pot-and-pan drawer	18 - 23	▶ Push to open Silent	46 / 50
▶ AvanTech YOU Inlay pot-and-pan drawer	24 - 26	▶ Quality criteria	87
▶ Rear panel options	28 - 29		



[hettich.com/short/b889be](https://hettich.com/short/b889be)





# Drawer runners for wooden drawers

## ▶ Actro 5D drawer runners



### Precision that gets things moving

The Actro 5D drawer runner is simply the perfect choice for unique furniture design, narrow reveals and large front panels. Adjusting in 5 directions, front panel reveal

alignment meets the most exacting demands. Excellent running performance and incredible stability provide supreme quality you can feel and hear.



**Make a great impact with smooth running action:**  
Actro 5D, smooth running and synchronised



**Fascinate with minimal reveals:**  
5-way adjustment for extremely narrow reveals



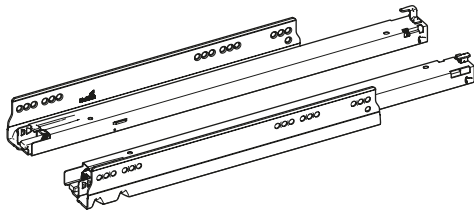
**Impress with stability:**  
up to 70 kg load capacity



**Effortlessly handleless:**  
Push to open Silent combines elegance with convenience

# Drawer runners for wooden drawers

## ▶ Actro 5D full extension runner with Silent System, optionally with Push to open Silent



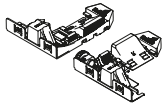
- ▶ **Silent System** - the integrated Silent System closes the drawer quietly and gently
- ▶ Catch for convenient slide on installation must be ordered separately
- ▶ Tool-less, intuitive vertical adjustment up to + 3 mm, lateral adjustment up to +/- 1.5 mm, radial adjustment up to +/- 1.5 mm and tilt adjustment + 4 mm
- ▶ Optional: depth adjustment up to +/- 2 mm
- ▶ Optional: Push to open Silent opening system
- ▶ Load capacity to EN 15338, Level 3
- ▶ Galvanised steel, suitable for rooms exposed to moisture

Nominal length / drawer length NL mm	Order no. sets	PU	Order no. / mounting side		PU
			left	right	
<b>Load class XS (10 kg)</b>					
250	9 257 054	1 set	-	-	-
270	9 257 055	1 set	-	-	-
300	9 257 056	1 set	-	-	-
320	9 257 057	1 set	-	-	-
350	9 257 058	1 set	-	-	-
<b>Load class L (40 kg)</b>					
350	9 257 089	1 set	-	-	-
380	9 257 090	1 set	-	-	-
400	9 257 091	1 set	-	-	-
420	9 257 092	1 set	-	-	-
450	9 257 093	1 set	9 257 075	9 257 076	10 ea.
480	9 257 094	1 set	-	-	-
500	9 257 095	1 set	9 257 079	9 257 080	10 ea.
520	9 257 096	1 set	-	-	-
550	9 257 097	1 set	-	-	-
600	9 268 684	1 set	-	-	-
<b>Load class XL (70 kg)</b>					
580	9 257 126	1 set	-	-	-
600	9 257 127	1 set	-	-	-
650	9 257 128	1 set	-	-	-
700	9 257 129	1 set	-	-	-
750	9 257 130	1 set	-	-	-

# Drawer runners for wooden drawers

## ▶ Actro 5D full extension runner with Silent System, optionally with Push to open Silent

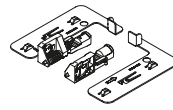
### Actro 5D catch



- ▶ Tool-less, intuitive side adjustment up to +/- 1.5 mm
- ▶ Height adjustment up to + 3 mm
- ▶ Die-cast zinc / plastic

Cabinet side	Order no.	PU
left / right	<b>9 257 268</b>	1 pair
left	<b>9 257 266</b>	100 ea.
right	<b>9 257 264</b>	100 ea.

### Depth adjustment

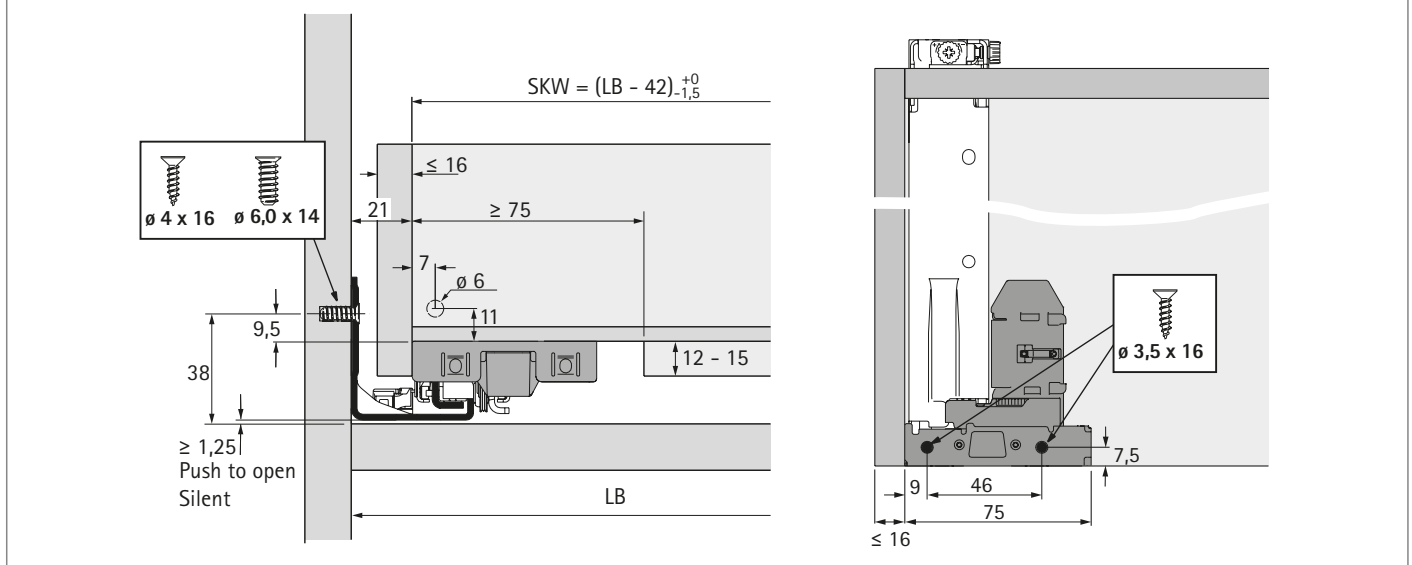


- ▶ Tool-less installation and adjustment up to + 4 mm
- ▶ For optional use with inset front panels
- ▶ Plastic, grey

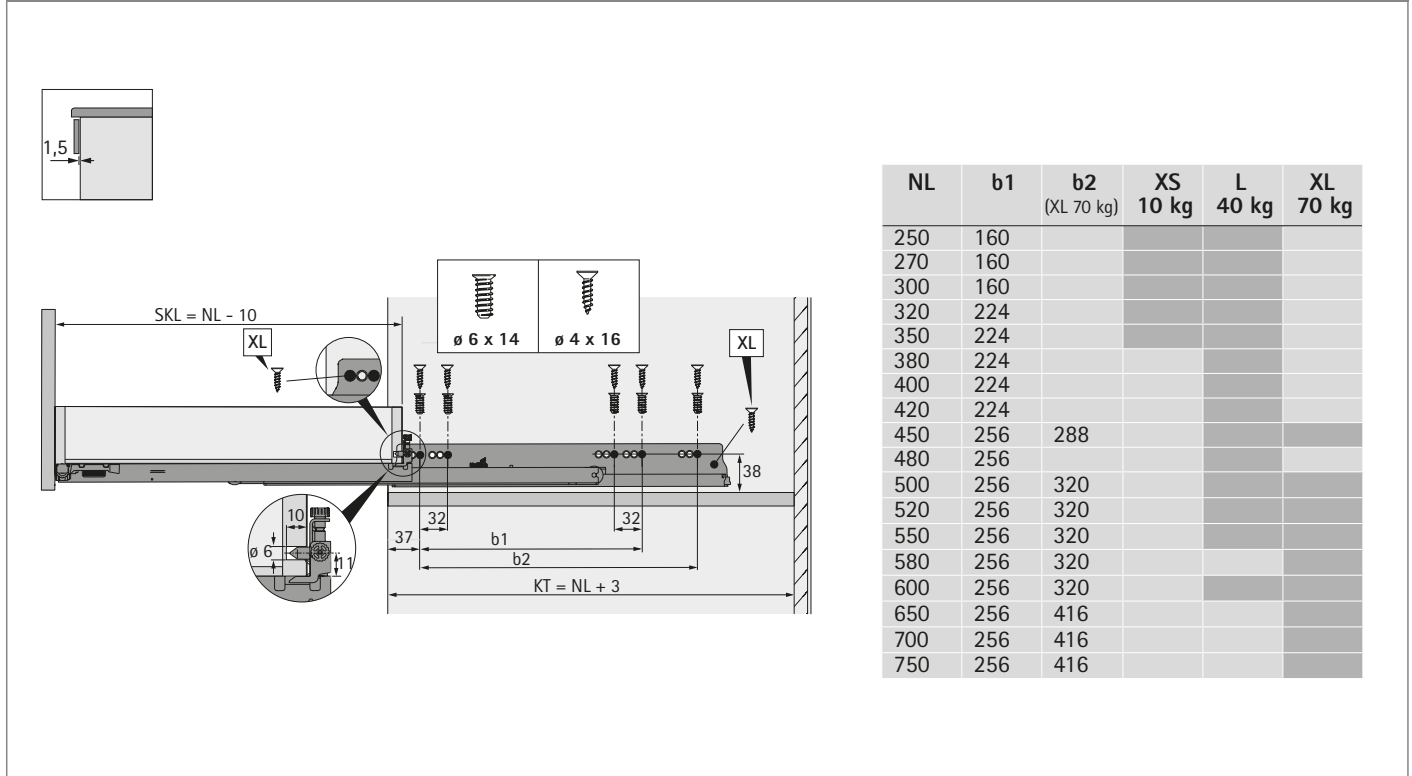
Set comprises:  
 ▶ 2 depth adjusters  
 ▶ 2 activators

Cabinet side	Order no.	PU
left / right	<b>9 257 706</b>	1 set

### Front cross section



### Side cross section

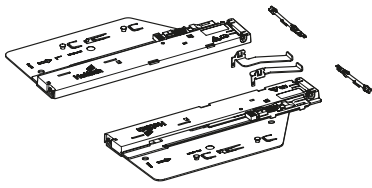


NL	b1	b2 (XL 70 kg)	XS 10 kg	L 40 kg	XL 70 kg
250	160				
270	160				
300	160				
320	224				
350	224				
380	224				
400	224				
420	224				
450	256	288			
480	256	288			
500	256	320			
520	256	320			
550	256	320			
580	256	320			
600	256	320			
650	256	416			
700	256	416			
750	256	416			

# Drawer runners for wooden drawers

## ▶ Push to open Silent opening system for Actro 5D

### Push to open Silent opening system for Actro 5D



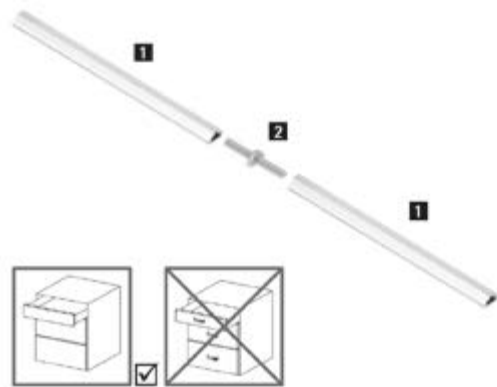
- ▶ Can be used with AvanTech YOU system drawer on Actro YOU drawer runner with Silent System
- ▶ Optional synchronisation possible

Set comprises:

- ▶ 1 Push to open Silent unit, left and right
- ▶ 1 activator, left and right
- ▶ 2 adapters for synchronisation

Total weight kg	Load class Actro kg	Nominal length mm	Order no.	PU
< 10	XS (10 kg)	270 - 350	<b>9 257 890</b>	1 set
8 - 20	L (40 kg)	270 - 650	<b>9 257 891</b>	1 set
10 - 40	L (40 kg)	270 - 650	<b>9 257 892</b>	1 set
20 - 70	XL (70 kg)	400 - 650	<b>9 257 893</b>	1 set

### Optional synchronisation for Push to open Silent



Synchronisation bar:

- ▶ For cutting to length
- ▶ Length 2000 mm
- ▶ Aluminium anodised

Connector:

- ▶ For connecting 2 synchronisation bars
- ▶ Plastic, grey

Article	Order no.	PU
<b>1</b> Synchronisation bar	<b>9 236 718</b>	1/100 ea.
<b>2</b> Connectors	<b>9 221 295</b>	1/20 ea.

# Drawer runners for wooden drawers

## ► Push to open Silent opening system for Actro 5D

### Recommendation for drawer (front panel height up to approx. 150 mm)\*

Nominal length mm	Nominal width mm												
	275	300	350	400	450	500	550	600	700	800	900	1000	1200
250 - 300													
320 - 350													
380 - 550													
580 - 750													

### Recommendation for pot-and-pan drawer (front panel height up to approx. 300 mm, medium duty loading)\*

Nominal length mm	Nominal width mm												
	275	300	350	400	450	500	550	600	700	800	900	1000	1200
250 - 300													
320 - 350													
380													
400 - 550													
580 - 750													

### Recommendation for pot-and-pan drawer (front panel height up to approx. 300 mm, carrying heavy load, e.g. with stacks of plates)\*

Nominal length mm	Nominal width mm												
	275	300	350	400	450	500	550	600	700	800	900	1000	1200
250 - 300													
320 - 350													
380													
400 - 550													
580 - 750													

Order no. Push to open Silent:

**9 257 890**

**9 257 891**

**9 257 892**

**9 257 893**

\* Recommendations for standard applications (front panel 19 mm chipboard, normal household loading), please refer to our online configurator to get more exact recommendations for customer chosen front panel dimensions and materials.



[hettich.com/short/a9ab20](https://hettich.com/short/a9ab20)



## Attractive on the outside. Intelligent inside.

The interior organisation solutions for the AvanTech YOU and ArciTech drawer systems bring a neat and tidy look to all parts of the home and to every walk of life in next

to no time at all. Pleasing the eye, all contents are easily and safely stored away with understated elegance and intelligent details.



### Perfectly balanced and matched to needs:

Intelligent solutions for all levels of perceived quality. Inserts made of plastic, steel or wood provide a place for everything that needs to be in easy reach.



### Versatile and individually tailored:

Personal storage spaces can be practically structured and organised to suit individual needs.



### Practical and easily found:

Practical details and clever functions make everything easier to find, enhancing user convenience.



### Modular and clearly structured:

Perfectly organised with just a few elements.



# Interior organisation system for AvanTech YOU

## ► Range summary, interior organisation



**OrgaTray 440**  
► for drawers / internal drawers

60



**OrgaTray 470**  
► for drawers / internal drawers

61



**OrgaTray 270**  
► for drawers / internal drawers

62 - 63



**OrgaTray 630**  
► for drawers / internal drawers

64



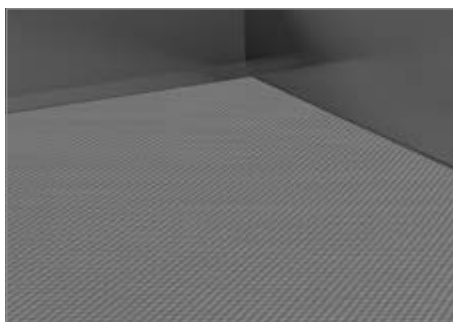
**OrgaStore 830**  
► for (internal) pot-and-pan drawers

65



**OrgaStore 270**  
► for (internal) pot-and-pan drawers

66



**Anti-slip mat**  
► for drawers / pot-and-pan drawers

67



**OrgaTray 510**  
► for drawers / pot-and-pan drawers

68



**Banio**  
► for drawers / pot-and-pan drawers

69



**Metal surround for U bend cutout**  
► for drawers / pot-and-pan drawers

70



**Waste collecting system**  
► AvanTech YOU Pull

71 - 72

# Interior organisation system for AvanTech YOU

## ► For drawers and internal drawers



- Can be used from 139 mm height
- Height 55 mm
- Plastic

### OrgaTray 440

Width mm	Order no. / colour / depth mm						PU
	silver		white		anthracite		
	370 - 440	441 - 520	370 - 440	441 - 520	370 - 440	441 - 520	
175 - 200	9 194 917	9 194 930	9 194 948	9 194 961	9 194 979	9 194 992	1 ea.
201 - 250	9 194 918	9 194 931	9 194 949	9 194 962	9 194 980	9 194 993	1 ea.
251 - 300	9 194 919	9 194 932	9 194 950	9 194 963	9 194 981	9 194 994	1 ea.
301 - 350	9 194 920	9 194 933	9 194 951	9 194 964	9 194 982	9 194 995	1 ea.
351 - 400	9 194 921	9 194 934	9 194 952	9 194 965	9 194 983	9 194 996	1 ea.
401 - 450	9 194 922	9 194 935	9 194 953	9 194 966	9 194 984	9 194 997	1 ea.
451 - 500	9 194 923	9 194 936	9 194 954	9 194 967	9 194 985	9 194 998	1 ea.
501 - 600	9 194 924	9 194 937	9 194 955	9 194 968	9 194 986	9 194 999	1 ea.
601 - 700	9 194 925	9 194 938	9 194 956	9 194 969	9 194 987	9 195 000	1 ea.
701 - 800	9 194 926	9 194 939	9 194 957	9 194 970	9 194 988	9 195 001	1 ea.
801 - 900	9 194 927	9 194 940	9 194 958	9 194 971	9 194 989	9 195 002	1 ea.
1091 - 1150	9 194 929	9 194 942	9 194 960	9 194 973	9 194 991	9 195 004	1 ea.

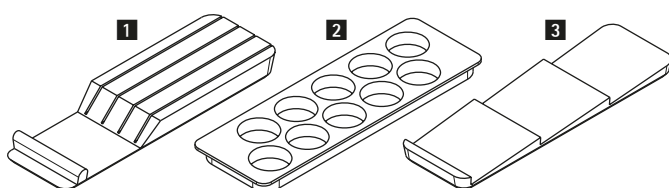
### Divider

D 370 - 440												
D 441 - 520												
W	175-200	201-250	251-300	301-350	351-400	401-450	451-500	501-600	601-700	701-800	801-900	1091-1150
NW												
AvanTech You		300	350	400	450	500	550	600	700	800	900	1200
ArciTech	300	350	400	450	500	550	600	700	800	900	1000	1200

\* = knife and spice rack can be incorporated

D = Depth W = Width NW = Nominal width

### Knife holder and spice rack



- Beech, lacquered

Article	Order no.	PU
1 Knife holder	0 074 430	1 ea.
2 Spice rack, standing, ø 53 mm	0 044 934	1 ea.
3 Spice rack, lying flat	9 079 207	1 ea.



[hettich.com/short/a728d8](https://hettich.com/short/a728d8)



# Interior organisation system for AvanTech YOU

## ► For drawers and internal drawers



- Can be used from cabinet body width of 450 mm
- 2 can be fitted in cabinet bodies in widths of 800 mm and over
- Height 50 mm
- Plastic

### OrgaTray 470

Nominal length mm	Order no. / colour			PU
	silver	white	anthracite	
500	9 207 220	9 207 224	9 207 227	1 ea.
550	9 207 222	9 207 226	9 207 238	1 ea.

### Divider

NL 500	D 474		NL 550	D 524	
W	326		326		

NL = Nominal length    D = Depth    W = Width



[hettich.com/short/187ab8](https://hettich.com/short/187ab8)

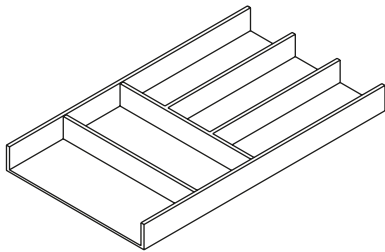
# Interior organisation system for AvanTech YOU

## ► For drawers and internal drawers



- High quality interior organisation system made of wood
- Variable in width
- Various cabinet body widths can be provided by combining individual articles
- It is recommended to fit an anti-slip mat
- Can be combined with OrgaTray 630
- Beech, anthracite lacquered

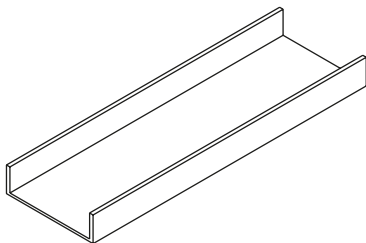
### OrgaTray 270, cutlery tray



- Dimensions: W 270 x H 43 x L 423 / 473 mm

Nominal length mm	Order no.	PU
450	<b>9 278 291</b>	1 ea.
500	<b>9 278 292</b>	1 ea.

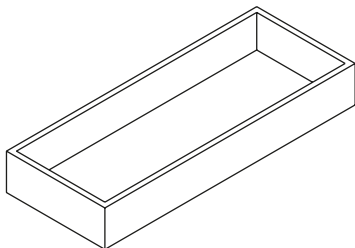
### OrgaTray 270, multifunction insert



- Dimensions: W 150 x H 43 x L 423 / 473 mm

Nominal length mm	Order no.	PU
450	<b>9 278 293</b>	1 ea.
500	<b>9 278 294</b>	1 ea.

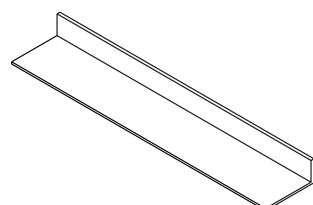
### OrgaTray 270, tray



- Dimensions: W 300 x H 43 x L 105.5 / 118 mm

Length mm	Order no.	PU
105.5	<b>9 278 302</b>	1 ea.
118	<b>9 278 301</b>	1 ea.

### OrgaTray 270, lengthways filler



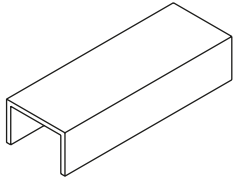
- For use in nominal lengths of 550, 600 and 650 mm
- Dimensions: W 600 / 1200 x H 43 x L 100 mm

Width mm	Order no.	PU
600	<b>9 278 313</b>	1 ea.
1200	<b>9 279 203</b>	1 ea.

# Interior organisation system for AvanTech YOU

## ► For drawers and internal drawers

### OrgaTray 270, connecting element



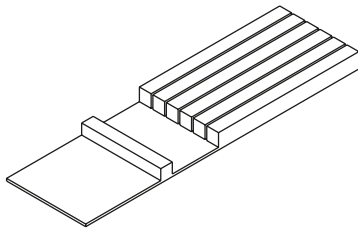
- For connecting cutlery organiser, multifunction insert and tray
- Aluminium, anodised

Set comprises:

- 4 connecting elements

Order no.	PU
9 278 312	1 set

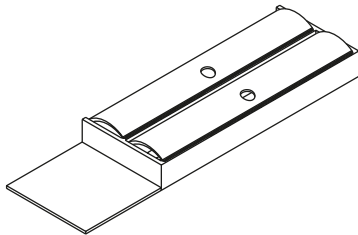
### OrgaTray 270, knife holder



- For fitting into the multifunction insert
- Dimensions: W 137 x H 26 x L 423 / 473 mm

Nominal length mm	Order no.	PU
450	9 278 295	1 ea.
500	9 278 296	1 ea.

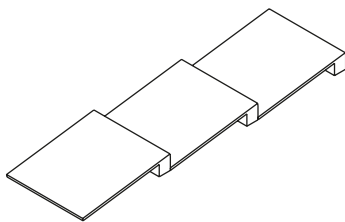
### OrgaTray 270, roll holder



- For fitting into the multifunction insert
- Dimensions: W 137 x H 38 x L 423 / 473 mm

Nominal length mm	Order no.	PU
450	9 278 297	1 ea.
500	9 278 298	1 ea.

### OrgaTray 270, spice rack



- For fitting into the multifunction insert
- Dimensions: W 137 x H 26 x L 423 / 473 mm

Nominal length mm	Order no.	PU
450	9 278 299	1 ea.
500	9 278 300	1 ea.

### Information

- Anti-slip mat 67
- OrgaTray 630 64



[hettich.com/short/ba236d](https://hettich.com/short/ba236d)

# Interior organisation system for AvanTech YOU

## ► For drawers and internal drawers



- Can be used from cabinet body width of 350 mm
- 2 can be fitted in cabinet bodies in widths of 800 mm and over
- Height 43 mm
- Powder coated steel
- It is recommended to fit an anti-slip mat
- Can be combined with OrgaTray 270

### OrgaTray 630

Nominal length mm	Order no. / colour			PU
	silver	white	anthracite	
450	9 278 315	9 278 331	9 278 318	1 ea.
500	9 278 316	9 278 332	9 278 319	1 ea.
550	9 278 317	9 278 333	9 278 320	1 ea.

### Divider

NL	D	W	NW
450	423	271	≥ 350 ≥ 400
500	473	271	≥ 350 ≥ 400
550	523	271	≥ 350 ≥ 400

NL = Nominal length    D = Depth    W = Width    NW = Nominal width

### Information

- Anti-slip mat 67
- OrgaTray 270 62 - 63



[hettich.com/short/fedb49](https://hettich.com/short/fedb49)

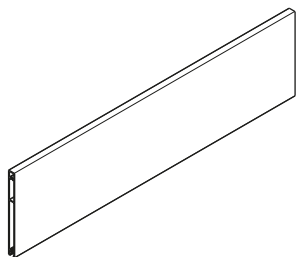
# Interior organisation system for AvanTech YOU

## ► For pot-and-pan drawers and internal pot-and-pan drawers



- For variable or standard cabinet body width
- For use from nominal length of 300 mm
- It is recommended to fit an anti-slip mat

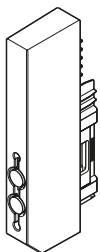
### OrgaStore 830, profile



- Height 120 mm
- Length 2000 mm
- For cutting to length
- Powder coated aluminium

Colour	Order no.	PU
silver	9 182 247	1 ea.
white	9 182 249	1 ea.
anthracite	9 182 250	1 ea.

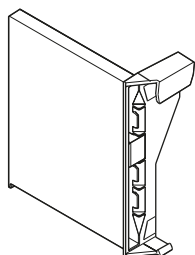
### OrgaStore 830, adapter



- Height 125 mm
- Plugs onto the profile without the need for tools
- Two adapters are required for a set
- Plastic

Colour	Order no.	PU
silver	9 278 248	1/30 ea.
white	9 230 269	1/30 ea.
anthracite	9 230 268	1/30 ea.

### OrgaStore 830, lengthwise divider



- Height 125 mm
- Plastic

Colour	Order no.	PU
silver	9 278 250	1/15 ea.
white	9 182 230	1/15 ea.
anthracite	9 278 249	1/15 ea.

### Information

- Anti-slip mat

67



[hettich.com/short/e7d460](https://hettich.com/short/e7d460)

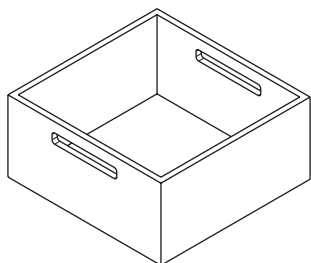
# Interior organisation system for AvanTech YOU

## ► For pot-and-pan drawers and internal pot-and-pan drawers



- High quality interior organisation system made of wood
- Variable in width
- Various cabinet body widths can be provided by combining individual articles
- It is recommended to fit an anti-slip mat
- Beech, anthracite lacquered

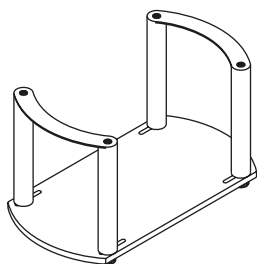
### OrgaStore 270, box



- Two boxes can be fitted one behind the other in nominal length of 500 mm
- Dimensions: W 231 x L 237 x H 110 mm

Order no.	PU
9 278 309	1 ea.

### OrgaStore 230, plate holder



- Continuous adjustment for any plate diameter
- Dimensions: W 180 x L 340 x H 191 mm

Order no.	PU
9 278 310	1 ea.

### Information

- Anti-slip mat

67

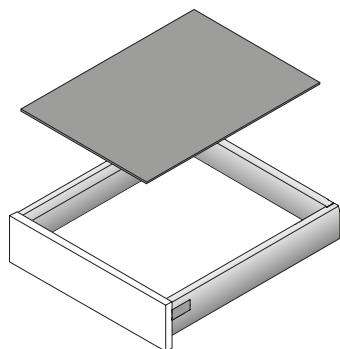
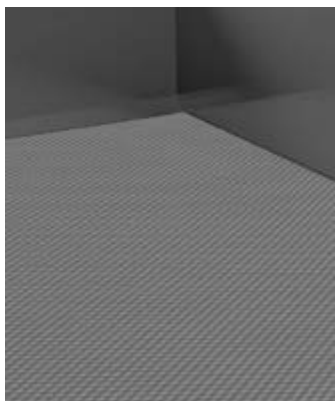


[hettich.com/short/36944e](https://hettich.com/short/36944e)

# Interior organisation system for AvanTech YOU

► For drawers / internal drawers and pot-and-pan drawers / internal pot-and-pan drawers

## Anti-slip mat



- For inserting into the drawer or pot-and-pan drawer
- 5 m roller
- Plastic

Nominal length mm	Order no. / colour			PU
	anthracite	white	black	
500	9 209 580	9 209 573	9 213 636	1 ea.
650	9 209 582	9 209 575	9 213 637	1 ea.

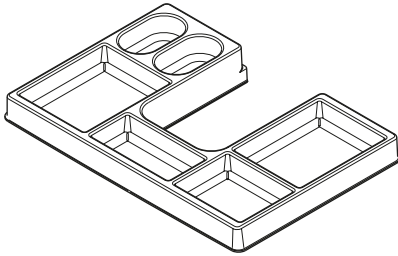
# Interior organisation system for AvanTech YOU

## ► Solutions with bottom cutout



- Can be used from 550 mm cabinet body width and 350 mm nominal length
- Height 35 mm plus bottom cover
- Plastic

### OrgaTray 510



Colour	Order no.	PU
silver	9 207 045	1 ea.
white	9 207 046	1 ea.
anthracite	9 207 047	1 ea.



[hettich.com/short/264688](https://hettich.com/short/264688)



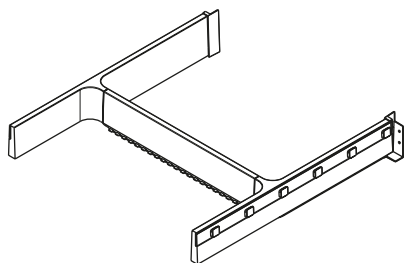
# Interior organisation system for AvanTech YOU

## ► Solutions with bottom cutout



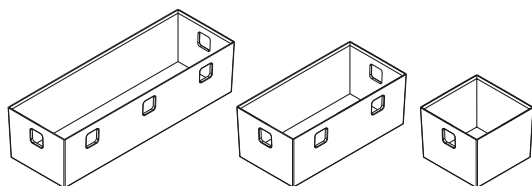
- Can be used from 139 mm height
- Can be used for nominal lengths up to 500 mm
- Recommended for use with cabinet bodies in widths of 600 mm and over
- Height 65 mm plus bottom cover
- Plastic

### Banio frame set



Colour	Order no.	PU
grey	9 153 387	1 set
white	9 153 385	1 set
dark grey	9 207 259	1 set

### Banio tray set



Set comprises:

- 1 tray, 84 x 84 x 65 mm
- 1 tray, 84 x 168 x 65 mm
- 1 tray, 84 x 252 x 65 mm

Colour	Order no.	PU
translucent white	9 153 388	1 set
translucent, graphite grey	9 207 260	1 set



[hettich.com/short/36efe4](https://hettich.com/short/36efe4)

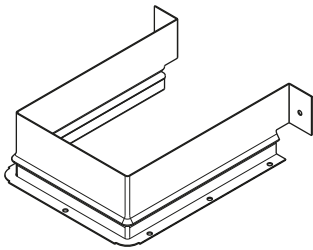
# Interior organisation system for AvanTech YOU

## ► Solutions with bottom cutout



- Can be used for nominal lengths of 300 mm and over
- Use recommended on cabinet bodies in a width of 400 mm and over
- Height 53 mm plus bottom cover
- Powder coated steel

### Metal surround for U bend cutout - square

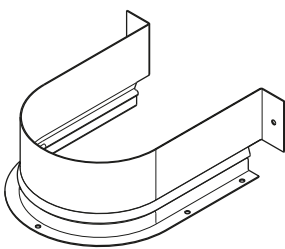


Colour	Order no.	PU
silver	9 278 342	1 ea.
white	9 278 344	1 ea.
anthracite	9 278 343	1 ea.



- Can be used from 139 mm height
- Can be used for nominal lengths of 300 mm and over
- Use recommended on cabinet bodies in a width of 400 mm and over
- Height 67 mm plus bottom cover
- Powder coated steel

### Metal surround for U bend cutout - round



Colour	Order no.	PU
silver	9 204 282	1 ea.
white	9 204 283	1 ea.
anthracite	9 204 284	1 ea.



[hettich.com/short/b80122](https://www.hettich.com/short/b80122)

# Waste collecting systems

- ▶ Waste collecting systems behind front panels
- ▶ AvanTech YOU Pull



- ▶ Top running waste collecting system for AvanTech YOU drawer, 101 mm high
- ▶ The AvanTech YOU Pull frame is fitted instead of the drawer bottom panel
- ▶ Frame can be equipped as required with various bins and accessories
- ▶ Please order bin separately
- ▶ Please order AvanTech YOU drawer components separately
- ▶ Powder coated steel, anthracite

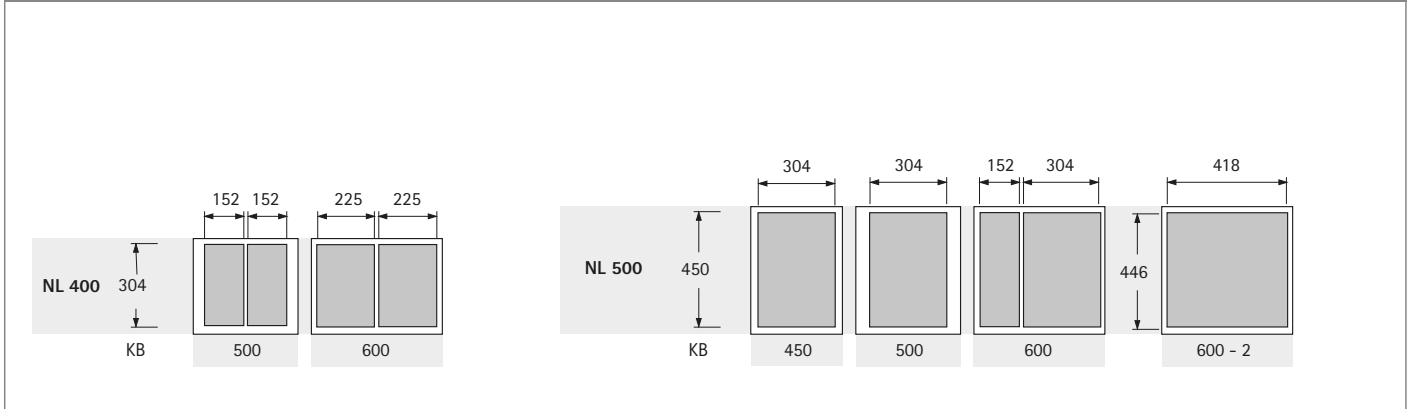
Set comprises:

- ▶ 1 fitted frame including front stay and lid
- ▶ Fixing material

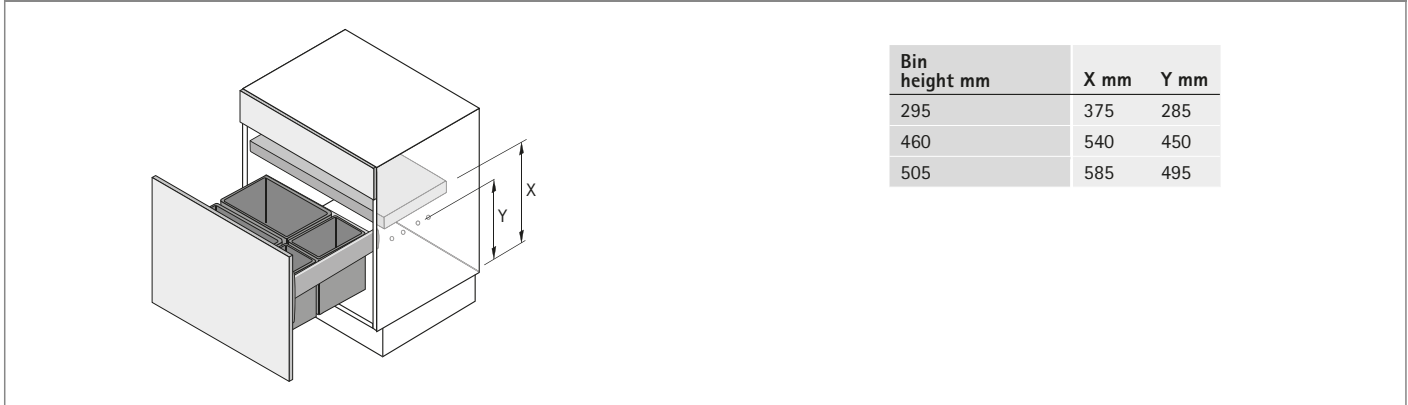
## AvanTech YOU Pull frame

For cabinet body width mm	Type	Order no. / Nominal length mm		PU
		400	500	
450			9 278 334	1 set
500		9 278 339	9 278 335	1 set
600		9 278 340	9 278 336	1 set
600	600 - 2 (for 2 x 40 l)		9 278 337	1 set

## Partitioning



## Planning dimensions



# Waste collecting systems

- ▶ Waste collecting systems behind front panels
- ▶ AvanTech YOU Pull



- ▶ For fitting any chosen component in the AvanTech YOU Pull frame
- ▶ Plastic bin with sturdy double handle
- ▶ As standard, all bins are supplied without lid
- ▶ Lids must be ordered separately, see below
- ▶ The lid heights specified below are total dimensions, the additional height for all lids is 2 mm

## Bin

Article	Material / finish	Width mm	Depth mm	Height mm	Order no.	PU
Bin 11 l	Plastic anthracite	152	304	295	<b>9 279 391</b>	1 ea.
Bin 17 l	Plastic anthracite	225	304	295	<b>9 279 392</b>	1 ea.
Bin 29 l	Plastic anthracite	225	304	460	<b>9 279 393</b>	1 ea.
Bin 40 l	Plastic anthracite	223	418	505	<b>9 279 394</b>	1 ea.

## Lid

Article	Material / finish	Width mm	Depth mm	Height mm	Order no.	PU
Lid 11 l	Plastic anthracite	152	304	21	<b>9 279 397</b>	1 ea.
Lid 17 / 29 l	Plastic anthracite	225	304	21	<b>9 279 398</b>	1 ea.
Lid 40	Plastic anthracite	223	418	21	<b>9 279 399</b>	1 ea.

## Information

- ▶ AvanTech YOU drawer components 10 - 13



[hettich.com/short/2573dc](https://www.hettich.com/short/2573dc)

# Assembly and planning aids

## ► Summary of ranges

Workshop installation  
Summary

74



Assembly aids and drilling jigs  
Summary

76



Drills and bits  
Summary

79





## Working ergonomically in the workshop too

Ergonomic workplaces help to keep staff in good health and boost work productivity in the long term. This is particularly true in the workshop. The power assisted LegaDrive Systems lifting column system moves work benches to any preferred height simply at the press of a button. The bench used for storing the materials needed can also be set to the perfect

height for ergonomic access. This takes the effort out of working at any machine while also avoiding back strain. LegaDrive Systems is extremely sturdy, double telescoping and suitable for working in the seated or standing position, particularly in the workshop.



**Maximum convenience:**  
Motor driven, always the right working height at the press of a button.



**Maximum adjustment range:**  
With an adjustment range of 620 - 1295 mm, work can be done either sitting or standing.



**Maximum stability:**  
Extra-sturdy overall system for the workshop with very high lifting capacity (160 kg).



[hettich.com/short/dd7070](https://hettich.com/short/dd7070)

**Find out more:**  
You can get inspiration and further product details on our website.

# LegaDrive Systems desk support

- ▶ Desk support sets
- ▶ Power assisted height adjustment

## Desk support set Work Basic for workshops



- ▶ Desk support set for workshop workplaces, e.g. for assembly aids for drawers, drilling and insertion machines
- ▶ Desk support set with continuous foot extension for two opposing work stations
- ▶ For variable desk top sizes:
  - depth 1000 mm
  - width 1200 - 1800 mm
- ▶ Desk top support frames adjustable in width in increments of 50 mm
- ▶ Motor-driven height adjustment 620 - 1295 mm
- ▶ Lifting range 675 mm
- ▶ Lifting weight max. 160 kg each for evenly loaded desks (lifting weight = payload + desk top with desk top supports)
- ▶ Height adjustment with soft start
- ▶ Nominal voltage 230 V / 50 Hz
- ▶ Low energy consumption (standby 0.3 W max.)
- ▶ Speed 40 mm/s
- ▶ With collision detection (no personal protection)


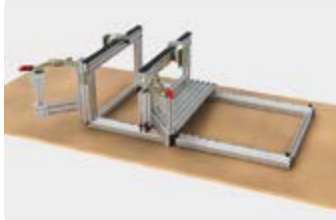

### Set comprises:

- ▶ 4 LegaDrive HD electrically telescoping lifting columns
- ▶ 2 foot extension, 970 mm
- ▶ 2 sets of width adjustable desk top support frames
- ▶ 2 electronic control units
- ▶ 2 EU mains power connection cables, length 3000 mm
- ▶ 1 Basic handset
- ▶ 1 cascading cable, short
- ▶ Installation material
- ▶ Installation instructions

Order no.	PU
9 260 670	1 set

# Assembly aids for drawers

## ► Range summary / technical comparison

	AvanFit 300 	AvanFit 200 	AvanFit 100 
Page	77	77	77
Description	Stationary assembly aid	Stationary assembly aid	Movable assembly aid
Suitable for installation	AvanTech YOU drawers and pot-and-pan drawers	AvanTech YOU drawers and pot-and-pan drawers	AvanTech YOU drawers and pot-and-pan drawers



# Assembly aids for drawers and pot-and-pan drawers

## ▶ AvanFit YOU

### AvanFit 300



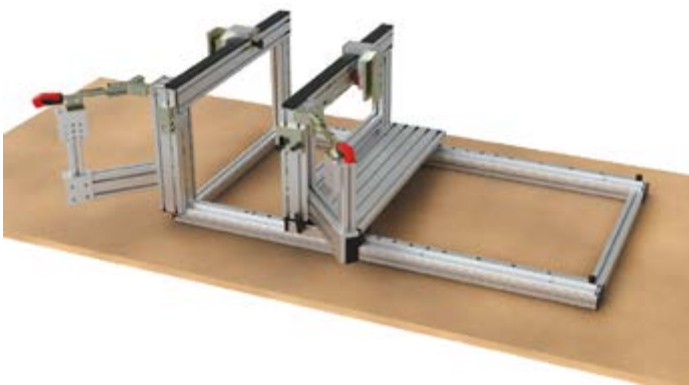
- ▶ For assembling AvanTech drawers – standard and pot & pan
- ▶ Manual component positioning, pneumatic operation
- ▶ All settings on the machine to be done without tools
- ▶ Air pressure 6 – 8 bar / 100 psi
- ▶ Capacity up to 65 drawers per hour
- ▶ Metal frame

#### Technical data:

- ▶ Machine footprint 2,000 mm x 1,400 mm
- ▶ Assembly machine needs to be secure on work bench
- ▶ Cycle time: 45 seconds
- ▶ All standard drawer widths can be set up via fixed stops without tools
- ▶ All individual widths can be adjusted manually and locked in

Order no.	PU
9 219 690	1 ea.

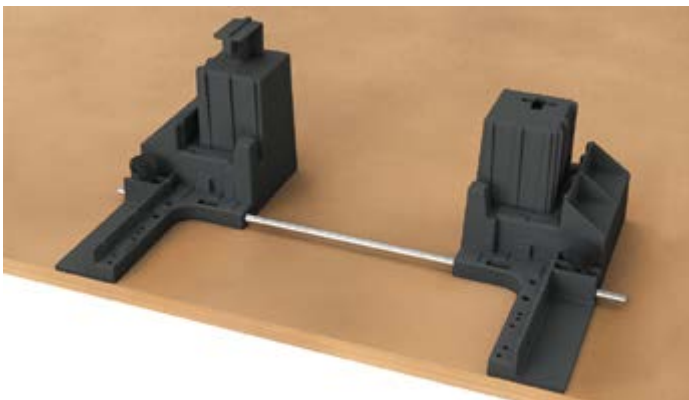
### AvanFit 200



- ▶ For assembling AvanTech YOU drawers and pot-and-pan drawers
- ▶ Manual component positioning and assembling
- ▶ All settings can be made without the need for tools
- ▶ Aluminium frame
- ▶ Capacity: up to 30 drawers an hour

Order no.	PU
9 219 689	1 ea.

### AvanFit 100



- ▶ For assembling AvanTech YOU drawers and pot-and-pan drawers
- ▶ Manual component positioning and assembling
- ▶ All settings can be made without the need for tools
- ▶ Plastic
- ▶ Capacity: up to 10 drawers an hour

Order no.	PU
9 219 678	1 ea.



[hettich.com/short/534749](https://hettich.com/short/534749)

## Knock in tool



- ▶ For knocking in the drawer side clamps into the drawer base
- ▶ Galvanised steel, plastic

Order no.	PU
9 275 330	1 ea.

## Stacking profile for AvanTech YOU



- ▶ For stacking drawers
- ▶ Plastic
- ▶ Length 80 mm

Design	Order no.	PU
101 mm	9 254 996	1/120 ea.
139 mm	9 257 810	1/90 ea.
187 mm	9 257 811	1/60 ea.

## Cabinet body drilling jig for runners



- ▶ Can be used for:
  - Actro YOU, Quadro YOU runner system for AvanTech YOU
  - Actro 5D runner system for wooden drawers
  - Actro runner system for ArciTech
  - Quadro for InnoTech / InnoTech Atira
  - Quadro for wooden drawers (slide on and plug on installation, partial and full extension runners)
  - Quadro for Systema Top 2000
  - KA ball bearing runners
  - FR roller runner systems
- ▶ Plastic

Order no.	PU
9 257 327	1 ea.



[hettich.com/short/6ea47a](https://www.hettich.com/short/6ea47a)

# Drilling jigs

- ▶ For front / rear panel fixing
- ▶ Range summary / technical comparison

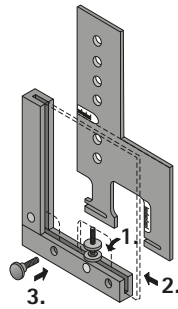


	Practica	BlueJig FB
Page	80 - 81	82 - 83
Suitable for installation	Front panels / rear panels of AvanTech YOU drawers	Front panel fixings and railing bars for AvanTech YOU drawers

# Drilling jigs

- ▶ Practica
- ▶ For front panel connector

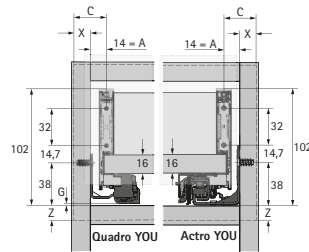
## Face angle application



- ▶ Face angle application for combination with Practica drilling jig for AvanTech YOU
- ▶ Aluminium

Order no.	PU
0 078 093	1 ea.

## Practica for AvanTech YOU



- ▶ For installing the front panel connector for
  - AvanTech YOU drawer / pot-and-pan drawer
- ▶ AvanTech YOU adjustment range
  - Side front panel overlay: up to +25 mm
  - Front panel height: from bottom edge of drawer runner, up to +22 mm
- ▶ Aluminium

Page reference:

- ▶ For accessory sleeve drill, see page 86

Order no.	PU
9 257 320	1 ea.

## Practica 240



For drilling holes for connecting the front panel to AvanTech YOU:

- ▶ Low drawer side profile H 77
- ▶ Plastic
- ▶ Hardened steel drilling bushes for 10 mm drill bit with depth setting ring

Page reference:

- ▶ For accessory drill, see page 86

Order no.	PU
9 257 318	1 ea.

## Practica 250 for AvanTech YOU



For drilling holes for connecting the front panel to AvanTech YOU:

- ▶ Drawer / pot-and-pan drawer
- ▶ Plastic
- ▶ Hardened steel drilling bushes for 10 mm drill bit with depth setting ring

Page reference:

- ▶ For accessory drill, see page 86
- ▶ For drawer front connector screw on version: centring drill bit 2.5 mm, see page 86

Order no.	PU
9 219 328	1 ea.

# Drilling jigs

- ▶ Practica
- ▶ For front panel connector, rear panel connector

## Practica 265 for AvanTech YOU



For drilling holes for connecting the aluminium front panels to AvanTech YOU:

- ▶ Plastic
- ▶ Hardened steel drilling bushes for 3 mm drill bit

Order no.	PU
9 254 997	1 ea.

## Practica 275 for AvanTech YOU



For drilling wooden rear panels / aluminium AvanTech YOU:

- ▶ Drawer side profile connectors
- ▶ Drawer side profile heights 101 / 139 / 187 / 251 mm
- ▶ Plastic
- ▶ Hardened steel drilling bushes for 4 mm drill bit

Page reference:

- ▶ For accessory drill, see page 86

Order no.	PU
9 257 321	1 ea.

## Practica 295 for AvanTech YOU



For drilling the wooden drawer rear panel / AvanTech YOU:

- ▶ Drawer side profile connectors
- ▶ C hook mount, drawer profile height 77 mm
- ▶ Plastic
- ▶ Hardened steel drilling bushes for 4 mm and 6 mm drill bits
- ▶ C hook drilling with 6 mm drill bit and depth setting ring

Order no.	PU
9 257 322	1 ea.



[hettich.com/short/f63fb1](https://hettich.com/short/f63fb1)

# Drilling jigs

- ▶ BlueJig FC
- ▶ For AvanTech YOU

## BlueJig AvanTech 105

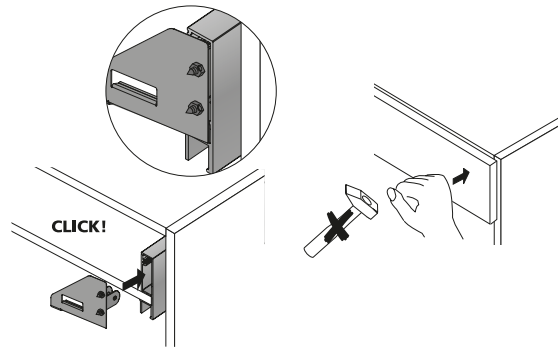


For marking hole centre for attaching the drawer front connector to AvanTech YOU:

- ▶ Drawer height 101 / 139 mm
- ▶ Steel
- ▶ Drawer front connector with centring tips

Order no.	PU
9 257 323	1 set

## Aligning the centre punch up against the drawer



## BlueJig AvanTech 205



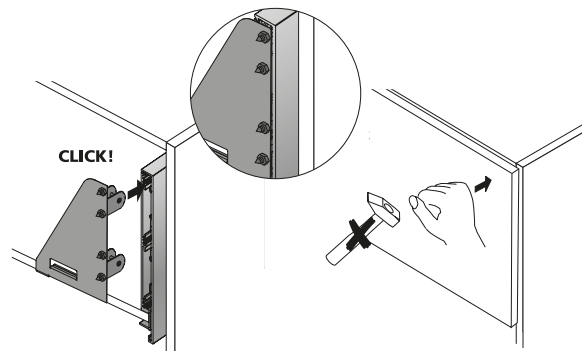
For marking hole centre for attaching the drawer front connector to AvanTech YOU:

- ▶ Drawer height 187 / 251 mm
- ▶ Steel
- ▶ Drawer front connector with centring tips

Set comprises:  
▶ 2 BlueJig AvanTech YOU 205 (right / left)

Order no.	PU
9 257 324	1 set

## Aligning the centre punch up against the drawer



# Drilling jigs

- ▶ BlueJig FB
- ▶ For AvanTech YOU

## BlueJig AvanTech 305 Inlay



For marking holes for attaching drawer front connector for AvanTech YOU Inlay:

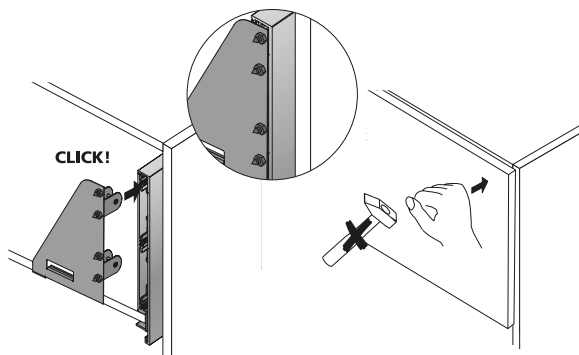
- ▶ Drawer height 187 mm
- ▶ Steel
- ▶ Drawer front connector with centring tips

Set comprises:

- ▶ 2 BlueJig AvanTech YOU 305 (right / left)

Order no.	PU
9 257 331	1 set

## Aligning the centre punch up against the drawer



## Drilling jigs

- ▶ BlueJig Actro YOU / Quadro YOU / Push to open
- ▶ For fitting Actro YOU / Quadro YOU to wooden drawers, adjusting Push to open

### BlueJig Actro YOU



- ▶ For drilling the hole for the C hook and catches on Actro 5D and Actro YOU runners on wooden drawers
- ▶ Plastic with hardened drilling bushes in steel
- ▶ Please order accessory twist drill separately

Order no.	PU
9 257 813	1 ea.

### BlueJig Quadro YOU



- ▶ For drilling the hole for the C hook and catches on Quadro YOU runners on wooden drawers
- ▶ Plastic with hardened drilling bushes in steel
- ▶ Please order accessory twist drill separately

Order no.	PU
9 257 325	1 ea.

### BlueJig Push to open



- ▶ For adjusting the drawer front gap with Push to open Silent opening system on drawer runners:
  - Actro 5D
  - Actro YOU
  - Quadro YOU
- ▶ Plastic

Order no.	PU
9 257 326	1 ea.



# Knock in tools

## ▶ AvanTech YOU front panel connectors

### Knock in tool for AvanTech YOU drawer front connector



▶ For knocking in the AvanTech YOU drawer front connector

Design	Order no.	PU
Drawer side profile height 77 mm	<b>9 257 316</b>	1 ea.
Drawer side profile height 101 / 139 mm	<b>9 257 314</b>	1 ea.
Drawer side profile height 187 / 251 mm	<b>9 257 315</b>	1 ea.
Drawer side profile height 187 mm, Inlay	<b>9 257 317</b>	1 ea.
Centring piece H251	<b>9 254 995</b>	1 ea.

# Wood drill bits

## ▶ Sleeve drill / centring drill bit

### Sleeve drill



- ▶ Minimal drill wear as the drill bit does not come into contact with the jig
- ▶ Precision drill bit guidance through sleeve
- ▶ Adjustable drill depth stop
- ▶ Can be used with Accura, Practica, Lift Advanced drilling jigs

Page reference:

- ▶ For Practica drilling jig, see pages 80 - 81

Description	Diameter mm	Order no.	PU
Sleeve drill	2.5	9 257 329	1 ea.
Spare drill bit without sleeve	2.5	9 270 887	1 ea.

### Centring drill bit



- ▶ HS drill bit
- ▶ Nickel plated
- ▶ Hexagonal shaft
- ▶ Overall length 112 mm

Diameter mm	Order no.	PU
2.5	9 257 319	1 ea.

# Drawer systems

## ► Quality criteria

### Quality that meets all the demands

The quality of the drawer systems is monitored continuously. Hettich fittings comply with the national and international quality standards of the markets our customers operate in. The diagrams below show some of the tests Hettich fittings are required to pass.

#### Application area

Hettich drawer systems are suitable for use in living room, kitchen, bathroom and office furniture both in the home and business environment.

#### Load capacity and guards preventing unintentional detachment / removal

The load capacity indicated (to DIN EN 15338) is understood to mean the weight of the drawer itself, including contents, in kg. The applicable level is shown on the product. The load capacity refers to a reference length of 500 mm. The load capacity may vary for other

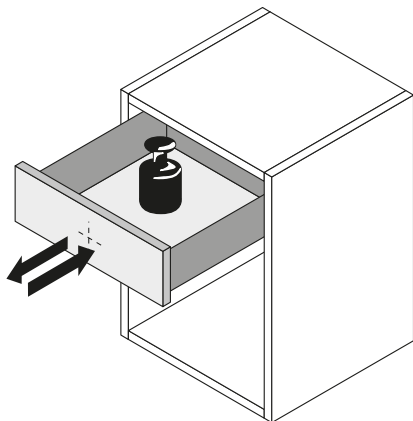
nominal lengths. All Hettich drawer systems feature guards to prevent the drawer from rolling out and being removed unintentionally and meet the requirements of the impact test in a test frame to EN 15338. Fitted in the proper manner, the drawer systems are suitable for furniture defined in EN 14749. The maximum front panel height depends in particular on the material, drawer size and drawer runner. Testing is conducted on drawers with a 130 mm front panel height and pot-and-pan drawers with a 300 mm front panel height. We will be pleased to provide any further information you may require.

#### Corrosion test

Hettich runner systems satisfy the requirements on corrosion defined in DIN EN 15338, 72 hour condensation water test to DIN EN 6270.

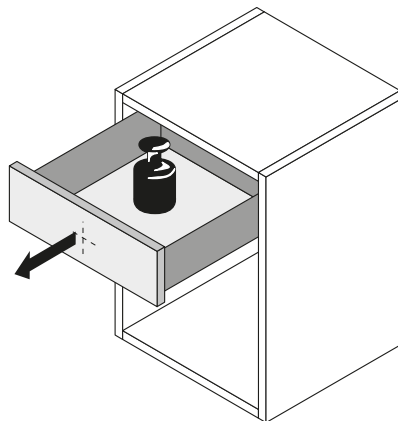
### Wear test

The fully laden drawer must remain in proper working order after opening and closing it for a defined number of times at a defined test velocity.



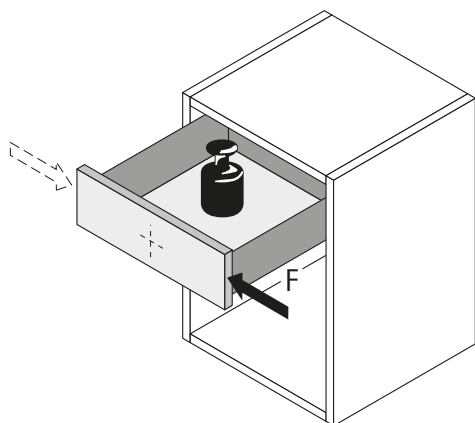
### Retention-on-opening test

The fully laden drawer is abruptly opened all the way several times at a defined test velocity.



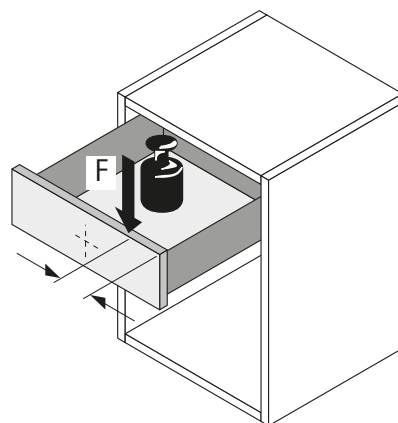
### Horizontal load test

Opened all the way, the fully laden drawer is additionally exposed to horizontal strain from a defined lateral force.

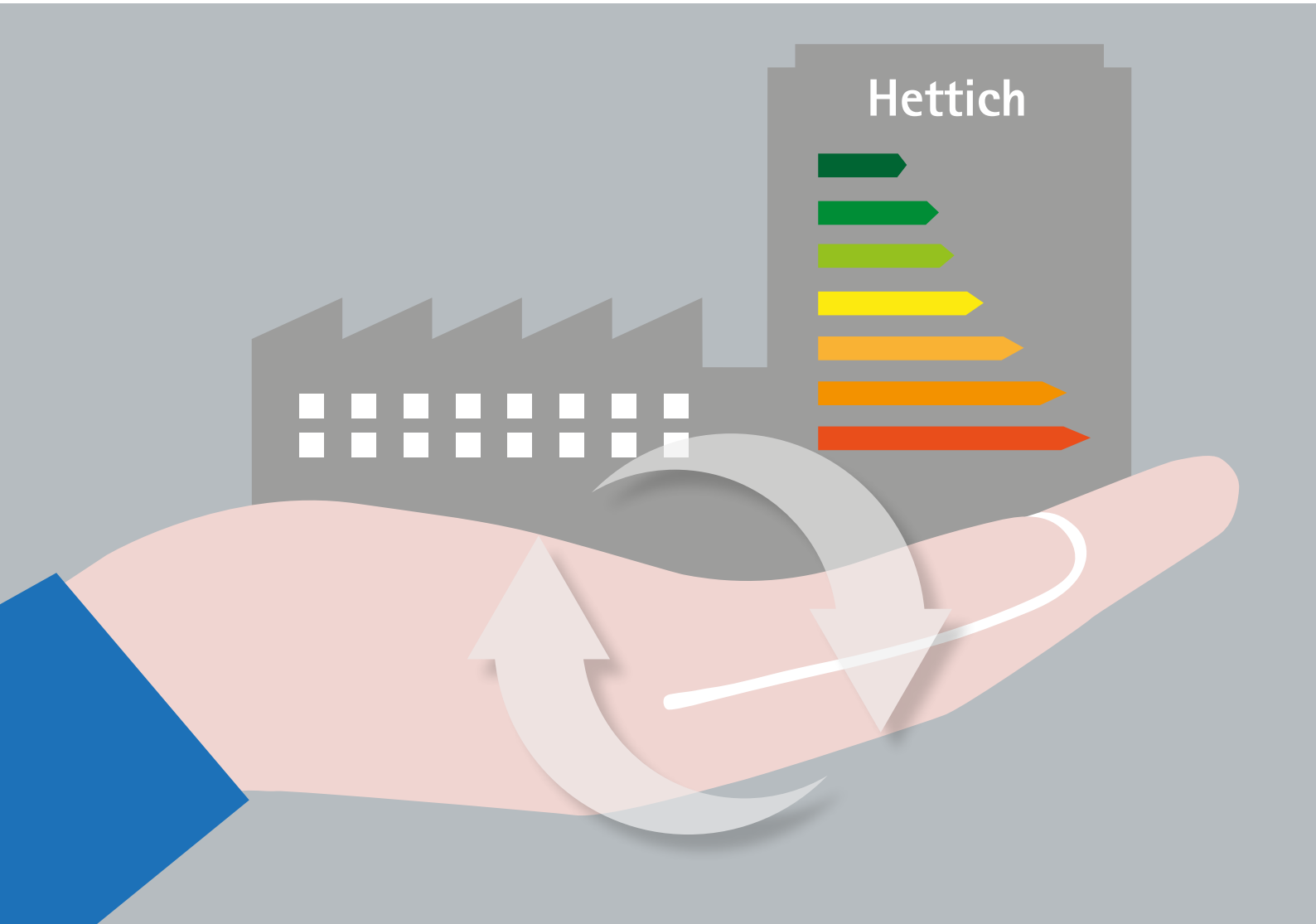


### Vertical strain test

Opened all the way, the drawer is additionally exposed to vertical strain from a defined eccentric force.



We are improving our environmental performance – as proven by EMAS, the world's most stringent environmental management system.



Our corporate principles include taking responsibility for preserving the natural basis of life. This is where we regard statutory provisions as minimum requirements. Over and above meeting statutory requirements, it is imperative for all members of staff to act in a way that conserves energy and resources in their own particular work environment in order to overcome the global ecological challenges of the near future. In the same way, using energy and resources efficiently also plays a key part in maintaining our competitive edge.

The group wide Environmental Department was established back in 1992, with its sustainability principles of environmental protection and occupational health and safety having consistently set the framework for leading the company group forward in this direction since 1993. Introduced in 1996, the environmental management systems complying with the European EMAS Regulation (Eco Management and Audit Scheme), including ISO 14.001, are of central impor-

tance in this context. These implemented a targeted approach to identifying and realising the potentials for using energy and resources in an efficient manner as well as to ensuring conformity with the law. The results are nothing short of impressive.

#### **Environmentally friendly projects**

Innovative projects are the mark of our approach to environmental management. For instance, the primary-energy requirement of our new production facilities is up to 75% below the specifications demanded in building legislation. The exemplary, consistent use of wood-based materials in constructing our commercial buildings puts us on the forefront of using resource-conserving, renewable building materials that take enormous quantities of climate-damaging CO<sub>2</sub> out of the atmosphere while they are growing.

Since 2015, we have been trying out three new vehicles, each employing different propulsion systems, to test the



practical suitability of electric mobility in a variety of usage situations. At our Indian production plant, heavy metals are absorbed from concentrated waste water using an innovative method that involves living algae. At our factory in China, a solar-powered system provides staff accommodation and the canteen with hot water.

Numerous awards reflect our commitment to the environment. In 2009, the European Commission gave our zero-energy Hettich Forum building the Green Building Award at national level. In 2016, we won the sustainability prize from the East Westphalian Business Environment Foundation for an environment education project carried out over 20 years.

### Success stories

Between 1997 and 2015, for example, we have managed to reduce environmental pollution from manufacturing our drawer runners and drawer systems at the Kirchlengern-Bünde production facility as follows:

- ▶ Specific water consumption 45%
- ▶ Specific power consumption 10%
- ▶ Specific heat consumption 73%
- ▶ Specific CO<sub>2</sub> emission 30%

Technik für Möbel



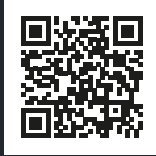
Order no.	Page	Order no.	Page	Order no.	Page	Order no.	Page
0 010 085	42	9 194 951	60	9 204 283	70	9 255 050	20
0 044 934	60	9 194 952	60	9 204 284	70	9 255 051	20
0 045 167	42	9 194 953	60	9 207 045	68	9 255 052	20
0 045 168	42	9 194 954	60	9 207 046	68	9 255 053	20
0 051 265	42	9 194 955	60	9 207 047	68	9 255 054	20
0 071 925	42	9 194 956	60	9 207 220	61	9 255 055	20
0 074 430	60	9 194 957	60	9 207 222	61	9 255 094	12
0 078 093	80	9 194 958	60	9 207 224	61	9 255 095	12
0 079 665	8	9 194 960	60	9 207 226	61	9 255 096	12
9 079 207	60	9 194 961	60	9 207 227	61	9 255 097	12
9 123 080	39	9 194 962	60	9 207 238	61	9 255 098	12
9 137 114	42	9 194 963	60	9 207 259	69	9 255 099	12
9 153 385	69	9 194 964	60	9 207 260	69	9 255 112	16
9 153 387	69	9 194 965	60	9 209 573	67	9 255 113	16
9 153 388	69	9 194 966	60	9 209 575	67	9 255 114	16
9 182 230	65	9 194 967	60	9 209 580	67	9 255 115	16
9 182 247	65	9 194 968	60	9 209 582	67	9 255 116	16
9 182 249	65	9 194 969	60	9 213 636	67	9 255 117	16
9 182 250	65	9 194 970	60	9 213 637	67	9 255 130	20
9 194 917	60	9 194 971	60	9 219 328	80	9 255 131	20
9 194 918	60	9 194 973	60	9 219 678	77	9 255 132	20
9 194 919	60	9 194 979	60	9 219 689	77	9 255 133	20
9 194 920	60	9 194 980	60	9 219 690	77	9 255 134	20
9 194 921	60	9 194 981	60	9 221 295	47	9 255 135	20
9 194 922	60	9 194 982	60	9 221 295	51	9 255 174	12
9 194 923	60	9 194 983	60	9 221 295	56	9 255 175	12
9 194 924	60	9 194 984	60	9 230 268	65	9 255 176	12
9 194 925	60	9 194 985	60	9 230 269	65	9 255 177	12
9 194 926	60	9 194 986	60	9 236 718	47	9 255 178	12
9 194 927	60	9 194 987	60	9 236 718	51	9 255 179	12
9 194 929	60	9 194 988	60	9 236 718	56	9 255 192	16
9 194 930	60	9 194 989	60	9 254 995	85	9 255 193	16
9 194 931	60	9 194 991	60	9 254 996	78	9 255 194	16
9 194 932	60	9 194 992	60	9 254 997	81	9 255 195	16
9 194 933	60	9 194 993	60	9 255 014	12	9 255 196	16
9 194 934	60	9 194 994	60	9 255 015	12	9 255 197	16
9 194 935	60	9 194 995	60	9 255 016	12	9 255 210	20
9 194 936	60	9 194 996	60	9 255 017	12	9 255 211	20
9 194 937	60	9 194 997	60	9 255 018	12	9 255 212	20
9 194 938	60	9 194 998	60	9 255 019	12	9 255 213	20
9 194 939	60	9 194 999	60	9 255 032	16	9 255 214	20
9 194 940	60	9 195 000	60	9 255 033	16	9 255 215	20
9 194 942	60	9 195 001	60	9 255 034	16	9 255 242	8
9 194 948	60	9 195 002	60	9 255 035	16	9 255 244	10
9 194 949	60	9 195 004	60	9 255 036	16	9 255 245	10
9 194 950	60	9 204 282	70	9 255 037	16	9 255 246	10

Order no.	Page	Order no.	Page	Order no.	Page	Order no.	Page
9 255 247	10	9 255 302	18	9 255 357	22	9 255 802	37
9 255 248	10	9 255 303	18	9 255 358	22	9 255 803	37
9 255 249	10	9 255 304	18	9 255 359	22	9 255 807	12
9 255 250	10	9 255 305	18	9 255 759	37	9 255 807	16
9 255 251	10	9 255 306	18	9 255 760	37	9 255 807	20
9 255 252	10	9 255 307	18	9 255 761	37	9 255 808	12
9 255 254	14	9 255 308	18	9 255 762	37	9 255 808	16
9 255 255	14	9 255 309	18	9 255 763	37	9 255 808	20
9 255 256	14	9 255 310	18	9 255 764	37	9 255 809	12
9 255 257	14	9 255 313	22	9 255 765	37	9 255 809	16
9 255 258	14	9 255 314	22	9 255 766	37	9 255 809	20
9 255 259	14	9 255 315	22	9 255 767	37	9 255 816	12
9 255 260	14	9 255 316	22	9 255 768	37	9 255 816	16
9 255 262	18	9 255 317	22	9 255 769	37	9 255 816	20
9 255 263	18	9 255 318	22	9 255 770	37	9 255 817	12
9 255 264	18	9 255 319	22	9 255 771	37	9 255 817	16
9 255 265	18	9 255 322	8	9 255 772	37	9 255 817	20
9 255 266	18	9 255 324	10	9 255 773	37	9 255 818	12
9 255 267	18	9 255 325	10	9 255 774	37	9 255 818	16
9 255 268	18	9 255 326	10	9 255 775	37	9 255 818	20
9 255 269	18	9 255 327	10	9 255 776	37	9 255 825	12
9 255 270	18	9 255 328	10	9 255 777	37	9 255 825	16
9 255 273	22	9 255 329	10	9 255 778	37	9 255 825	20
9 255 274	22	9 255 330	10	9 255 779	37	9 255 826	12
9 255 275	22	9 255 331	10	9 255 780	37	9 255 826	16
9 255 276	22	9 255 332	10	9 255 781	37	9 255 826	20
9 255 277	22	9 255 334	14	9 255 782	37	9 255 827	12
9 255 278	22	9 255 335	14	9 255 783	37	9 255 827	16
9 255 279	22	9 255 336	14	9 255 784	37	9 255 827	20
9 255 282	8	9 255 337	14	9 255 785	37	9 255 831	37
9 255 284	10	9 255 338	14	9 255 786	37	9 255 832	8
9 255 285	10	9 255 339	14	9 255 787	37	9 255 833	8
9 255 286	10	9 255 340	14	9 255 788	37	9 255 835	13
9 255 287	10	9 255 342	18	9 255 789	37	9 255 835	31
9 255 288	10	9 255 343	18	9 255 790	37	9 255 836	13
9 255 289	10	9 255 344	18	9 255 791	37	9 255 836	31
9 255 290	10	9 255 345	18	9 255 792	37	9 255 838	21
9 255 291	10	9 255 346	18	9 255 793	37	9 255 838	31
9 255 292	10	9 255 347	18	9 255 794	37	9 255 839	21
9 255 294	14	9 255 348	18	9 255 795	37	9 255 839	31
9 255 295	14	9 255 349	18	9 255 796	37	9 256 864	48
9 255 296	14	9 255 350	18	9 255 797	37	9 256 865	48
9 255 297	14	9 255 353	22	9 255 798	37	9 256 868	48
9 255 298	14	9 255 354	22	9 255 799	37	9 256 869	48
9 255 299	14	9 255 355	22	9 255 800	37	9 256 872	48
9 255 300	14	9 255 356	22	9 255 801	37	9 256 873	48

Order no.	Page	Order no.	Page	Order no.	Page	Order no.	Page
9 256 883	48	9 257 094	54	9 257 275	30	9 257 645	38
9 256 884	48	9 257 095	54	9 257 277	30	9 257 647	38
9 256 886	48	9 257 096	54	9 257 278	30	9 257 649	38
9 256 888	48	9 257 097	54	9 257 279	30	9 257 651	34
9 256 890	48	9 257 126	54	9 257 300	28	9 257 652	34
9 256 892	48	9 257 127	54	9 257 301	28	9 257 653	34
9 256 894	48	9 257 128	54	9 257 302	28	9 257 657	34
9 256 896	48	9 257 129	54	9 257 303	28	9 257 658	34
9 256 953	48	9 257 130	54	9 257 305	28	9 257 659	34
9 256 954	48	9 257 173	24	9 257 306	28	9 257 663	34
9 256 956	48	9 257 174	24	9 257 307	28	9 257 664	34
9 256 968	44	9 257 175	24	9 257 308	28	9 257 665	34
9 256 969	44	9 257 176	24	9 257 310	28	9 257 666	28
9 256 971	44	9 257 177	24	9 257 311	28	9 257 667	28
9 256 984	44	9 257 178	24	9 257 312	28	9 257 668	28
9 256 985	44	9 257 179	24	9 257 313	28	9 257 669	28
9 256 988	44	9 257 180	24	9 257 314	85	9 257 670	28
9 256 989	44	9 257 181	24	9 257 315	85	9 257 671	28
9 256 992	44	9 257 182	24	9 257 316	85	9 257 672	28
9 256 993	44	9 257 183	24	9 257 317	85	9 257 673	28
9 256 999	44	9 257 184	24	9 257 318	80	9 257 678	28
9 257 000	44	9 257 185	24	9 257 319	86	9 257 679	28
9 257 002	44	9 257 186	24	9 257 320	80	9 257 680	28
9 257 004	44	9 257 187	24	9 257 321	81	9 257 681	28
9 257 006	44	9 257 188	24	9 257 322	81	9 257 682	28
9 257 008	44	9 257 189	24	9 257 323	82	9 257 683	28
9 257 010	44	9 257 190	24	9 257 324	82	9 257 684	28
9 257 034	44	9 257 191	24	9 257 325	84	9 257 685	28
9 257 036	44	9 257 192	24	9 257 326	84	9 257 690	28
9 257 038	44	9 257 193	24	9 257 327	78	9 257 691	28
9 257 040	44	9 257 257	31	9 257 329	86	9 257 692	28
9 257 041	44	9 257 258	31	9 257 331	83	9 257 693	28
9 257 054	54	9 257 260	49	9 257 611	30	9 257 694	28
9 257 055	54	9 257 261	49	9 257 612	30	9 257 695	28
9 257 056	54	9 257 262	49	9 257 613	30	9 257 696	28
9 257 057	54	9 257 263	45	9 257 615	30	9 257 697	28
9 257 058	54	9 257 264	45	9 257 616	30	9 257 702	10
9 257 075	54	9 257 264	55	9 257 617	30	9 257 702	13
9 257 076	54	9 257 265	45	9 257 619	30	9 257 702	14
9 257 079	54	9 257 266	55	9 257 620	30	9 257 702	17
9 257 080	54	9 257 268	55	9 257 621	30	9 257 702	18
9 257 089	54	9 257 269	30	9 257 623	30	9 257 702	21
9 257 090	54	9 257 270	30	9 257 625	30	9 257 702	22
9 257 091	54	9 257 271	30	9 257 627	30	9 257 702	24
9 257 092	54	9 257 273	30	9 257 641	31	9 257 703	38
9 257 093	54	9 257 274	30	9 257 643	38	9 257 704	38



Order no.	Page	Order no.	Page	Order no.	Page
9 257 705	38	9 278 297	63	9 283 183	39
9 257 706	55	9 278 298	63	9 283 184	39
9 257 734	31	9 278 299	63	9 283 185	39
9 257 735	31	9 278 300	63	9 283 186	39
9 257 736	31	9 278 301	62	9 283 187	39
9 257 810	78	9 278 302	62	9 283 188	39
9 257 811	78	9 278 309	66	9 283 189	39
9 257 813	84	9 278 310	66	9 283 190	39
9 257 884	17	9 278 312	63	9 283 191	39
9 257 884	31	9 278 313	62	9 283 192	39
9 257 885	17	9 278 315	64		
9 257 885	31	9 278 316	64		
9 257 890	46	9 278 317	64		
9 257 890	56	9 278 318	64		
9 257 891	46	9 278 319	64		
9 257 891	56	9 278 320	64		
9 257 892	46	9 278 331	64		
9 257 892	56	9 278 332	64		
9 257 893	46	9 278 333	64		
9 257 893	56	9 278 334	71		
9 257 894	50	9 278 335	71		
9 257 895	50	9 278 336	71		
9 257 896	50	9 278 337	71		
9 260 670	75	9 278 339	71		
9 262 213	47	9 278 340	71		
9 262 213	51	9 278 342	70		
9 268 149	41	9 278 343	70		
9 268 677	26	9 278 344	70		
9 268 681	44	9 278 452	47		
9 268 684	54	9 278 452	51		
9 270 185	38	9 278 453	47		
9 270 186	38	9 278 453	51		
9 270 187	38	9 279 197	42		
9 270 887	86	9 279 203	62		
9 275 330	78	9 279 391	72		
9 278 224	42	9 279 392	72		
9 278 225	42	9 279 393	72		
9 278 248	65	9 279 394	72		
9 278 249	65	9 279 397	72		
9 278 250	65	9 279 398	72		
9 278 291	62	9 279 399	72		
9 278 292	62	9 283 178	39		
9 278 293	62	9 283 179	39		
9 278 294	62	9 283 180	39		
9 278 295	63	9 283 181	39		
9 278 296	63	9 283 182	39		



Order no.: 9\_293\_684  
2007-003\_AvanTech\_YOU\_07/20\_HAU/en

Technik für Möbel

