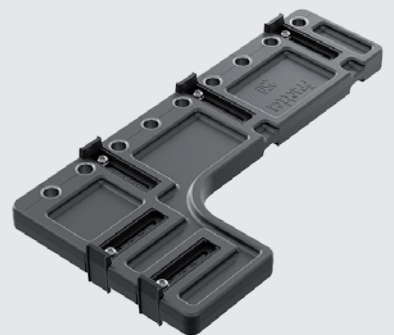
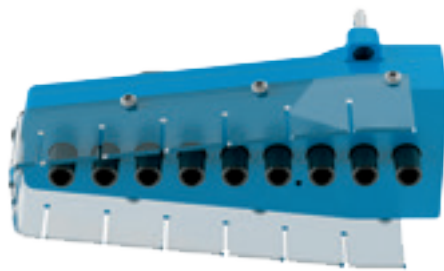
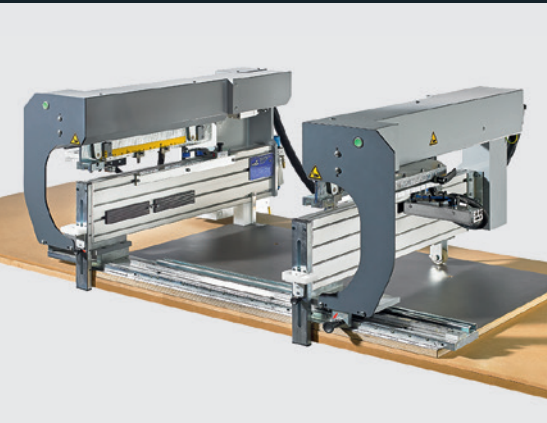


Hettich processing technology



Technik für Möbel


Hettich

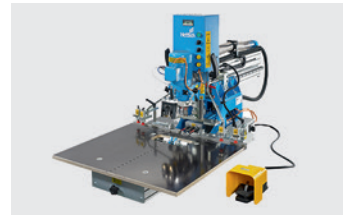
Assembly and planning aids

► Summary of ranges

BlueMax automatic drilling and insertion machines

Summary

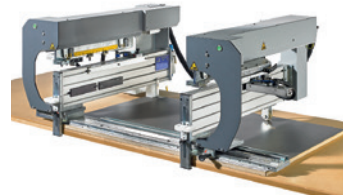
06 - 21



Assembly aids for drawer systems

Summary

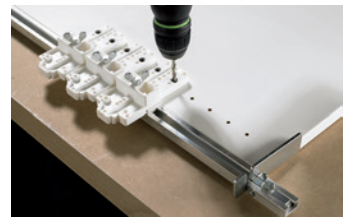
24 - 29



Assembly aids and drilling jigs

Summary

30 - 53



What Hettich machines can install

At a glance

Product	Page	Hole line	Hinges		
			Sensys	Intermat	Veosys
Automatic drilling and insertion machines					
BlueMax Mini Modular Plus	10	✓	✓	✓	✓
Interchangeable drilling unit, 6 spindles	10		✓	✓	✓
Interchangeable drilling unit, 4 spindles	11				
Interchangeable drilling unit, 9 spindles	11	✓	✓	✓	✓
Interchangeable drilling unit, 90°, 9 spindles	12				
BlueMax Mini Modular	14	✓	✓	✓	✓
Interchangeable drilling unit, 6 spindles	14		✓	✓	✓
Interchangeable drilling unit, 4 spindles	15				
Interchangeable drilling unit, 9 spindles	15	✓	✓	✓	✓
Interchangeable drilling unit, 90°, 9 spindles	16				
BlueMax Mini Typ 3	17		✓	✓	✓
BlueMax Mini type 2/6	18		✓	✓	✓
Assembly jigs for drawers					
AvanFit 100, 200, 300	25				
InnoFit 100, 300	29				
Knock in tools for assembly jigs	26, 29				
Drilling jigs and assembly accessories					
Accura drill body for hinges, mounting plates	32		✓	✓	✓
Accura drill body (depth adjustable) for hinges, mounting plates and drawer runners	33		✓	✓	✓
Exakta for hinges, mounting plates, connecting fittings and shelf supports	35	✓	✓	✓	✓
MultiBlue hole marking jig	36		✓	✓	✓
Drilling and hole marking templates for attaching front and rear panels to the drawer					
Practica AvanTech YOU	39				
Practica InnoTech Atira	39				
Practica 240	40				
Practica 250	40				
Practica 265	41				
Practica 275	41				
Practica 295	41				
BlueJig FB AvanTech YOU, 105 - 305	42, 43				
BlueJig FB InnoTech Atira	43				

Drawer systems				Runner systems					Sliding door systems			Further products		
AvanTech YOU	ArciTech	InnoTech Atrra	Easys	Actro for ArciTech	Actro YOU	Actro 5D	Quadro Quadro YOU	KA	SlideLine	WingLine	TopLine	VB 35	VB 36	Rastex
✓	✓	✓		✓	✓	✓	✓	✓	✓	✓	✓	✓	✓	✓
✓	✓	✓								✓		✓	✓	
✓											✓			
										✓	✓			
✓	✓	✓		✓	✓	✓	✓	✓						
✓	✓	✓		✓	✓	✓	✓	✓	✓	✓	✓	✓	✓	
✓	✓	✓								✓		✓	✓	
✓														
										✓	✓			
✓	✓	✓		✓	✓	✓	✓	✓						
✓	✓	✓							✓	✓	✓	✓	✓	
✓	✓	✓							✓	✓	✓	✓	✓	
✓														
		✓												
✓	✓	✓												
										✓				
			✓	✓	✓	✓	✓			✓				
										✓		✓	✓	✓
										✓		✓		✓
✓														
		✓												
✓														
✓	✓	✓												
✓														
✓														
✓														
✓														
		✓												

What Hettich machines can install

At a glance

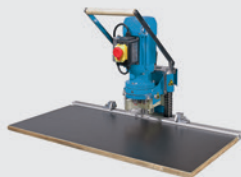
Product	Page	Hole line	Hinges			
			Sensys	Intermat	Veosys	Handleless opening
Drilling jigs for hinges						
DrillJig for hinges	45		✓	✓	✓	
BlueJig for hinges	46		✓	✓	✓	
Drilling jig (Push to open Pin) for hinges	47					✓
Installation aid (Push to open Pin) for hinges	48					✓
Drilling jigs for runners						
Cabinet drilling jig for runners	34					
BlueJig Actro YOU	51					
BlueJig Quadro YOU	51					
BlueJig Push to open	51					✓
BlueJig Quadro EB 20 Start	52					
BlueJig Quadro EB 20	52					
Knock in tools for drawer front connectors						
Knock in tools for AvanTech YOU drawer front connector	53					

Drawer systems				Runner systems					Sliding door systems			Further products		
AvanTech YOU	ArciTech	InnoTech Atrira	Easys	Actro for ArciTech	Actro YOU	Actro 5D	Quadro Quadro YOU	KA	SlideLine	WingLine	TopLine	VB 35	VB 36	Rastex
										✓				
										✓				
				✓	✓	✓	✓	✓						
						✓								
							✓							
						✓	✓							
							✓							
✓														

► Range summary / technical comparison

	BlueMax Mini Modular Plus	BlueMax Mini Modular	BlueMax Mini Typ 3
			
Page	10 - 12	14 - 16	17
Interchangeable drilling unit for	Hole lines, hinges, mounting plates, connecting fittings, drawer front connectors	Hole lines, hinges, mounting plates, connecting fittings	Hinges, Mounting plates, Connecting fittings
Motor power rating	1.1 kW / 400 V / 50 Hz, 3 phases	1.1 kW / 400 V / 50 Hz, 3 phases 1.3 kW / 230 V / 50 Hz, 1 phase	0.8 kW / 400 V / 50 Hz, 3 phases 0.8 kW / 230 V / 50 Hz, 1 phase
Capability of using hole line unit turned through 90°	Special drilling unit offset by 90°	Special unit offset by 90°	-
Pneumatic workpiece hold down clamp	x	x	x
Work bench	W 800 mm x D 1,870 mm	W 570 mm x L 800 mm	W 410 mm x D 800 mm
LCD display	x	-	-
Depth adjustment	90 mm	80 mm	80 mm
Horizontal drilling unit	x	-	-

BlueMax Mini, type 2 / 6



18

Hinges, Mounting plates,
Connecting fittings

0.8 kW / 230 V / 50 Hz, 1 phase

-

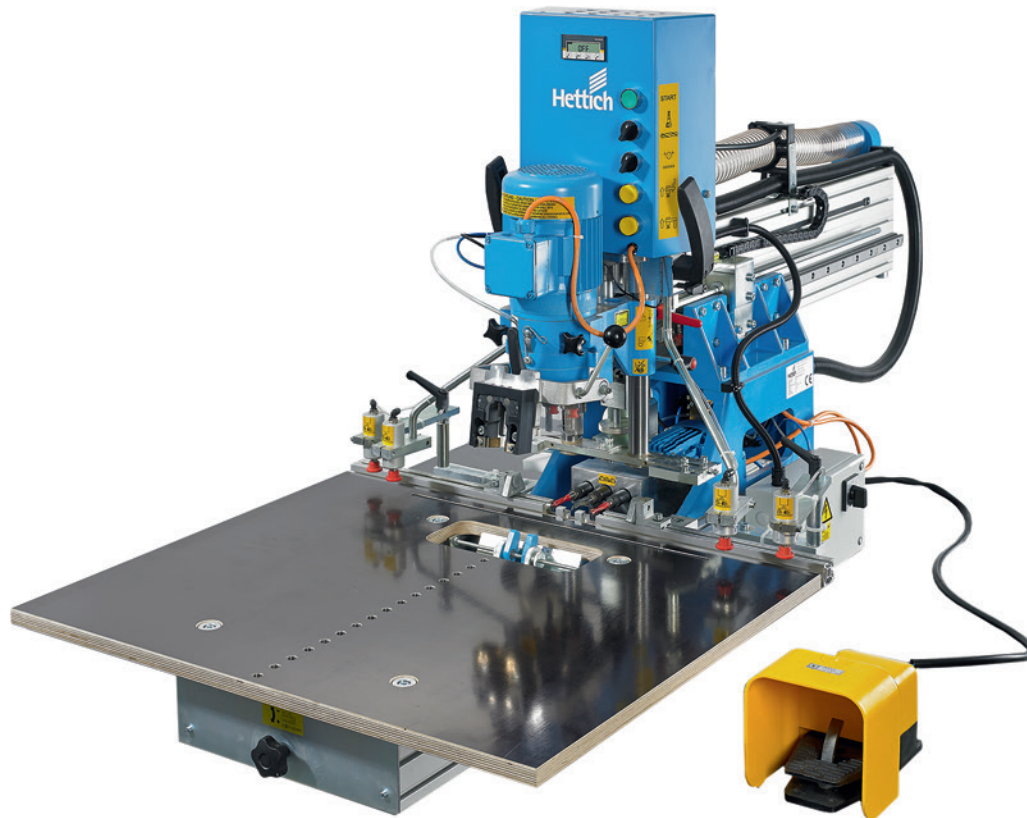
-

W 410 mm x D 800 mm

-

80 mm

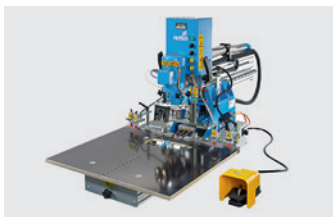
-



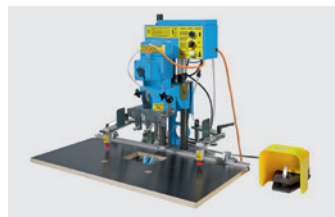
For masterfully crafted furniture.

BlueMax automatic drilling and insertion machines from Hettich give you precision results in the furniture workshop. Interchangeable drilling units and the pneumatic hold-down clamp save time and effort – for efficient and cost effective work processes. The BlueMax Modular automatic drilling and insertion machine drills holes for hinges,

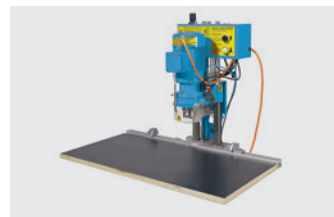
mounting plates, connecting fittings, runners and System 32 holes quickly and accurately. The BlueMax range has exactly the right machine model for your specific needs. In one model range, the machines are based on one principle and can be matched to growing demands at any time.



Maximum convenience: BlueMax Mini Modular Plus, the compact range with interchangeable drilling unit technology, horizontal drilling unit and digital display.



Easy handling: BlueMax Mini Modular, the compact, upgradable range with interchangeable drilling unit technology. For time saving work and maximum precision.



The key basic functions: the BlueMax Mini type 3 brings efficiency and absolute precision to your furniture workshop.

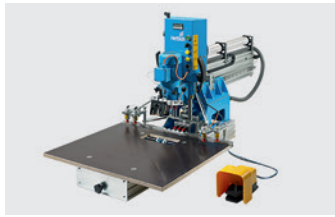


hettich.com/short/d48dfa

Also suitable for mobile use: the BlueMax Mini type 2 / 6 is particularly compact and is even suitable for mobile use on the construction site.

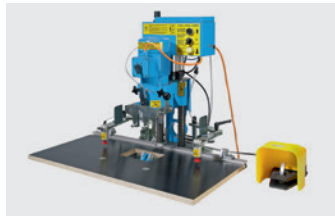
BlueMax automatic drilling and insertion machines

► Summary



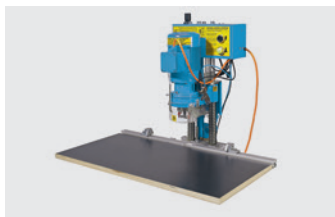
BlueMax Mini Modular Plus
Accessories

10
11 - 12, 20 - 21



BlueMax Mini Modular
Accessories

14
15 - 16, 20 - 21



BlueMax Mini, type 3
Accessories

17
19 - 21



BlueMax Mini, type 2 / 6
Accessories

18
19 - 21

BlueMax Mini

▶ BlueMax Mini Modular Plus with accessories

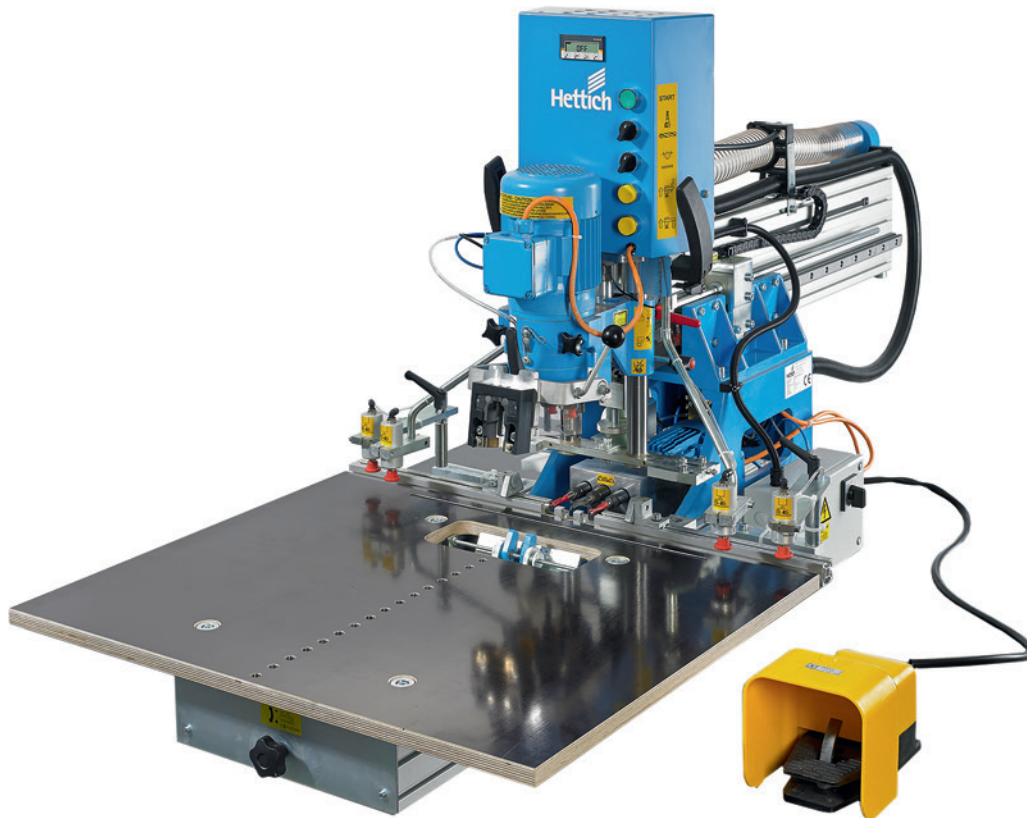
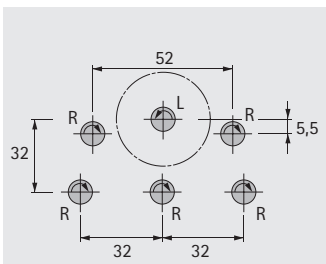


Photo shows optional equipment

BlueMax Mini Modular Plus with accessories

Drilling pattern



Compact automatic drilling and insertion machine with interchangeable drilling unit

- ▶ Pneumatic stroke
- ▶ Mechanical drilling stroke limiter
- ▶ Drum stops for 22, 37, 57 mm
- ▶ 600 mm depth adjustment with LCD display
- ▶ 1 interchangeable drilling unit, 6 spindles and quick release chuck
- ▶ 6 drill chucks for quick release chuck
- ▶ 1 tool shelf
- ▶ 4 hold-down clamps (2 left / 2 right)
- ▶ 1 centre stop with scale
- ▶ 1 laser
- ▶ 2 pendulum stops
- ▶ Power supply: 400 V / 50 Hz / 3 phases
- ▶ Motors: vertical drilling unit 1.1 kW
- ▶ Space required: 800 mm width x 1870 mm depth x 920 mm height
- ▶ Accessory press-in frame, foot switch, insertion dies and drill bits must be ordered separately

Page reference:

- ▶ For accessory press-in frame, see page 12
- ▶ For foot switch, see page 12
- ▶ For insertion dies, see page 19
- ▶ For drill bits, see page 20

Article type	Order no.	PU
without horizontal drilling unit	9 206 112	1 ea.
with horizontal drilling unit, 3 spindles	9 206 114	1 ea.

Interchangeable drilling unit, System 32 hole line drillings



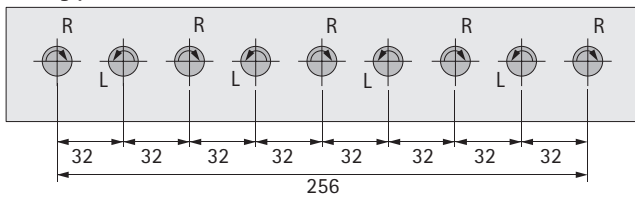
- Interchangeable drilling unit for System 32 hole line drilling with 2 continuation stops (left / right)

Page reference:

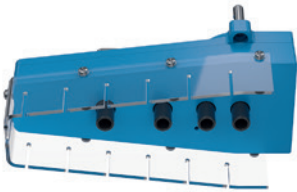
- For set of drill bits for interchangeable drilling unit, 9 spindles, see page 20

Description	Order no.	PU
Interchangeable drilling unit, 9 spindles with quick release chuck and drill holders	9 131 505	1 ea.

Drilling pattern



Interchangeable drilling unit, 4 spindles, 90°



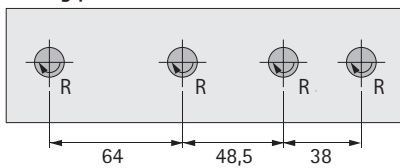
- Interchangeable drilling unit for drilling the wooden rear panel, H 101-251, for AvanTech YOU
- Please order drill bits separately

Page reference:

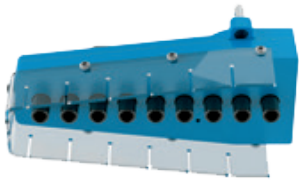
Drills, see page 20

Order no.	PU
9 283 054	1 ea.

Drilling pattern



Interchangeable drilling unit, System 32 hole line 90°



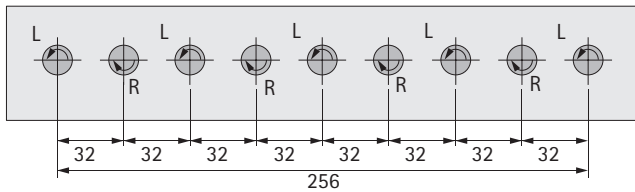
- Interchangeable drilling unit, offset 90° for drilling holes for runners in System 32
- Please order drill bits separately

Page reference:

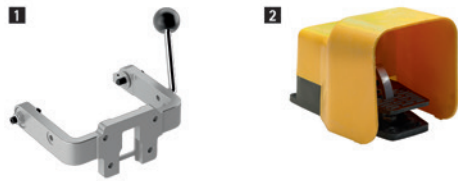
- For drill bits, see page 20

Description	Order no.	PU
Interchangeable drilling unit, 9 spindles, 90° with quick release chuck and drill holders	9 131 507	1 ea.

Drilling pattern



Other accessories



- Accessories for customising the BlueMax Mini Modular Plus

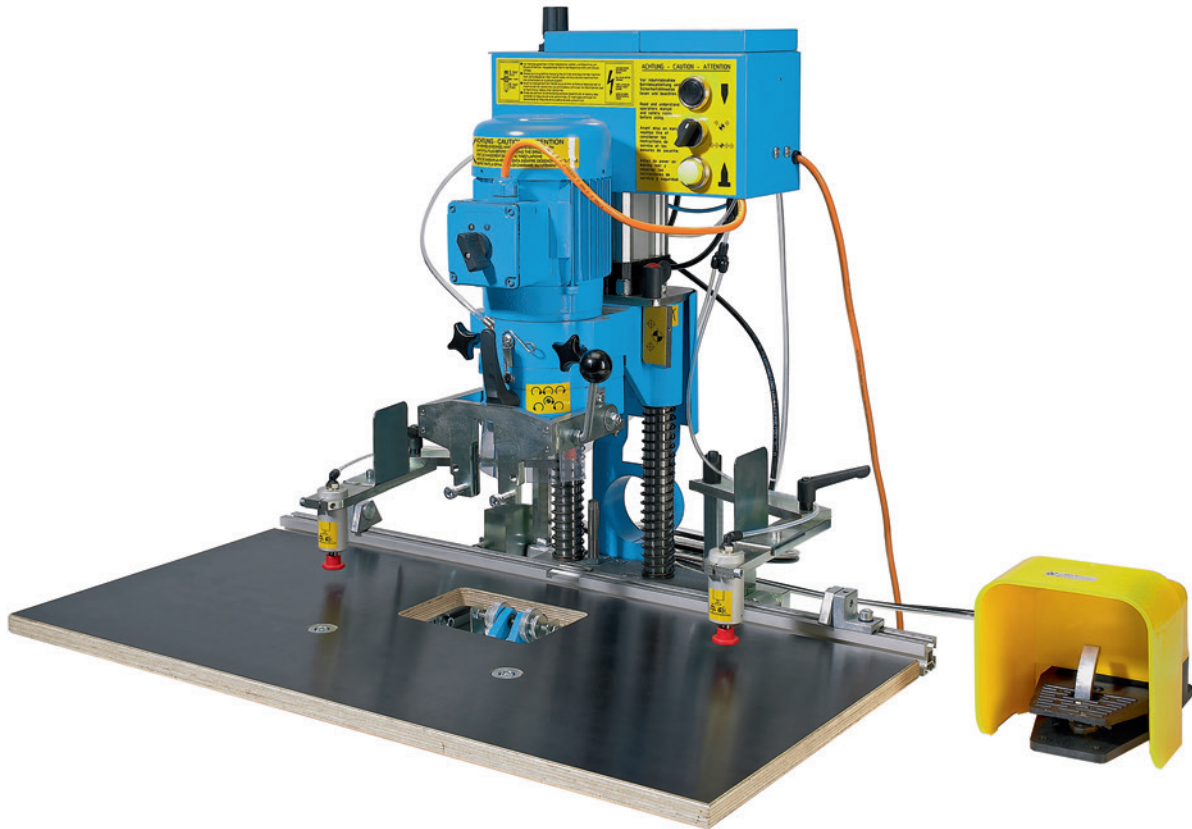
Description	Order no.	PU
1 Press-in frame for interchangeable drilling unit	9 132 100	1 ea.
2 Foot switch	9 216 143	1 ea.



hettich.com/short/4c1c15

BlueMax Mini

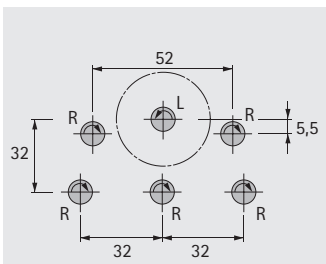
► BlueMax Mini Modular with accessories



Please note: photo shows optional equipment not offered in Australia

BlueMax Mini Modular

Drilling pattern



Compact automatic drilling and insertion machine with interchangeable drilling unit

- Pneumatic stroke
- Adjustable machine bench
- Mechanical drilling stroke limiter
- 2 drum stops for 22, 37, 57 mm depth adjustment of the fence
- 1 interchangeable drilling unit, 6 spindles and quick release chuck
- 6 drill chucks for quick release chuck
- 1 tool shelf
- 2 hold-down clamps (left / right)
- 1 centre stop with scale
- 2 pendulum stops
- Please order accessories, insertion dies and drill bits separately

Page reference:

- For accessories, see page 16
- For insertion dies, see page 19
- For drill bits, see page 20

Connection to	Order no.	PU
1.1 kW / 400 V / 50 Hz / 3 phases	9 132 099	1 ea.
1.3 kW / 230 V / 50 Hz / 1 phase	9 156 786	1 ea.

Interchangeable drilling unit, System 32 hole line drillings



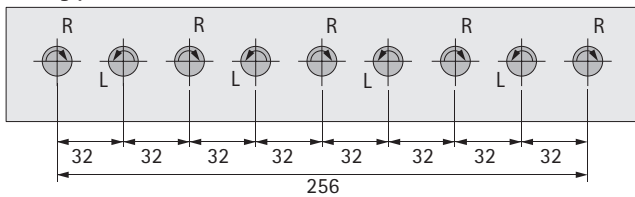
- Interchangeable drilling unit for System 32 hole line drilling with 2 continuation stops (left / right)

Page reference:

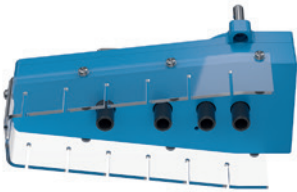
- For set of drill bits for interchangeable drilling unit, 9 spindles, see page 20

Description	Order no.	PU
Interchangeable drilling unit, 9 spindles with quick release chuck and drill holders	9 131 505	1 ea.

Drilling pattern



Interchangeable drilling unit, 4 spindles, 90°



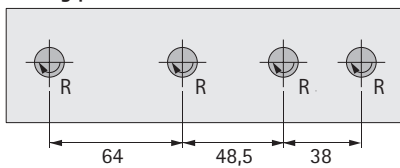
- Interchangeable drilling unit for drilling the wooden rear panel, H101-251, for AvanTech YOU
- Please order drill bits separately

Page reference:

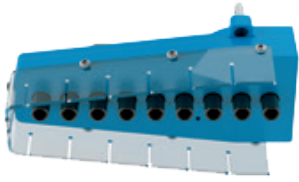
Drills, see page 20

Order no.	PU
9 283 054	1 ea.

Drilling pattern



Interchangeable drilling unit, System 32 hole line 90°



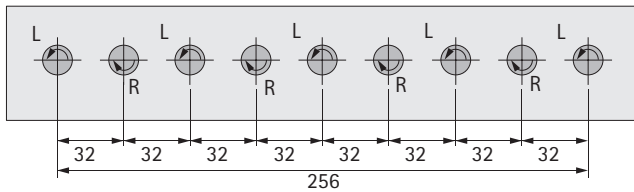
- Interchangeable drilling unit, offset 90° for drilling holes for runners in System 32
- Please order drill bits separately

Page reference:

- For drill bits, see page 20

Description	Order no.	PU
Interchangeable drilling unit, 9 spindles, 90° with quick release chuck and drill holders	9 131 507	1 ea.

Drilling pattern



Other accessories

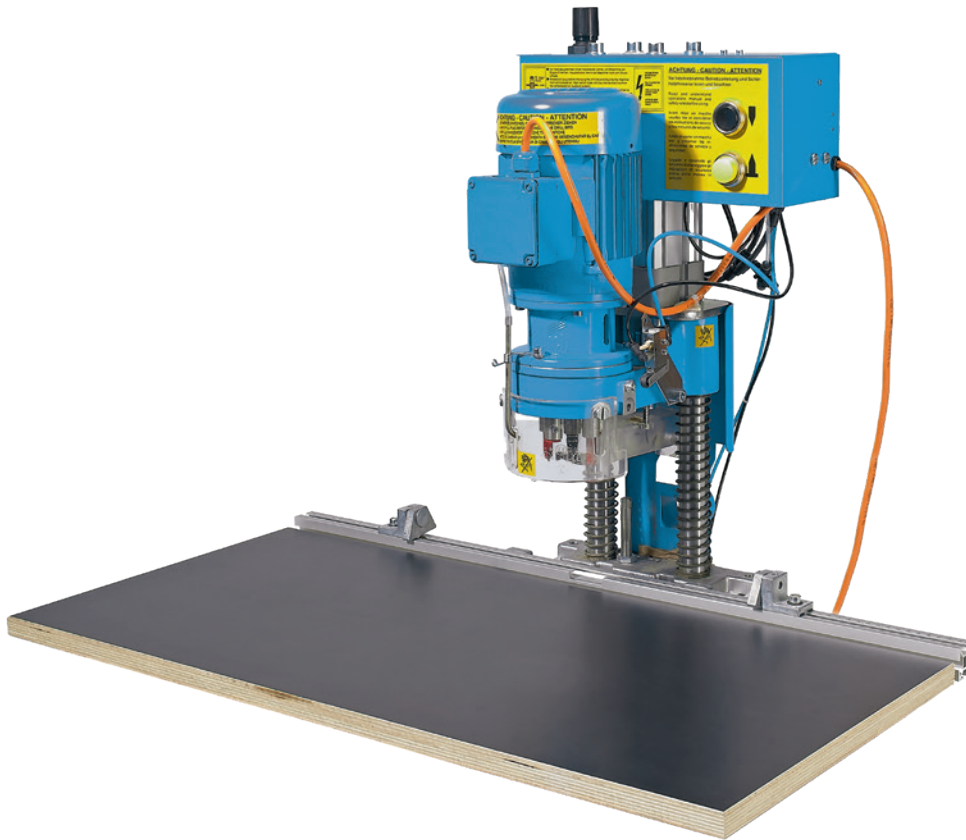


- Accessories for customising

Description	Order no.	PU
1 Press-in frame for interchangeable drilling unit	9 132 100	1 ea.

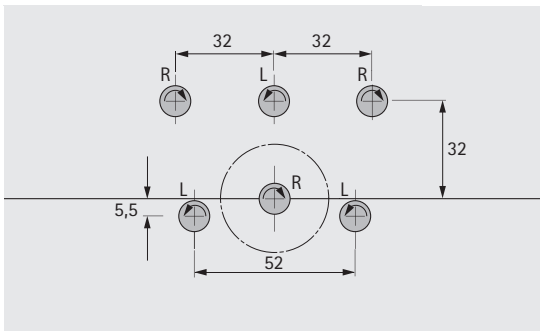


hettich.com/short/ce18ae



BlueMax Mini, type 3

Drilling pattern



- 6-spindle boring head with integrated drilling depth stop (13 mm pre-adjusted)
- 230 V/50 Hz/1-phase/1.3 kW or 400 V/50 Hz/3-phase/1.1 kW
- Timber worktop
- Fence and 2 pendulum stops
- Pneumatic stroke movement and hold-down
- Insertion unit
- Dust removal
- 3 pre-adjusted fixed stops for fence
- Quick release chucks
- For drilling and inserting Sensys and Intermat hinges, mounting plates, InnoTech Atira and MultiTech front connector

Connection to	Order no.	PU
230 V/50 Hz/1-phase/1.3 kW	0 040 675	1
400 V/50 Hz/3-phase/1.1 kW	0 040 676	1

Page reference:

- For accessories, see page 19
- For drill bits, see page 20

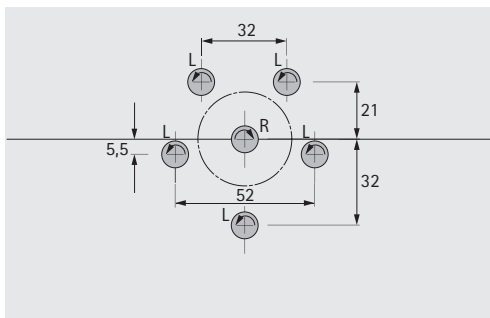


[hettich.com/short/5c8aea](https://www.hettich.com/short/5c8aea)



BlueMax Mini, type 2 / 6

Drilling pattern



Compact power drill with hand lever

- Drilling unit with 6 drilling spindles
- Fence with work bench
- 1 set of drill bits (1 x \varnothing 35 mm right hand, 2 x \varnothing 10 mm left hand)
- 2 pendulum stops
- Please order drill bits separately

Page reference:

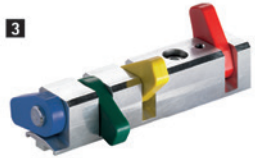
- For accessories, see page 19
- For drill bits, see page 20

Connection to	Order no.	PU
0.8 kW / 230 V / 50 Hz / 1 phase	0 020 266	1 ea.



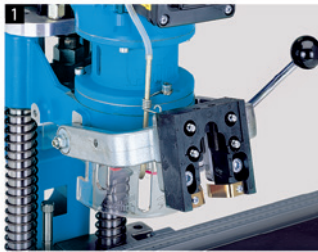
[hettich.com/short/59625d](https://www.hettich.com/short/59625d)

Other accessories



Description	Order no.	PU
1 2 quick clamping levers for adjusting fence	0 072 152	1 set
2 Pendulum stop for left / right-hand fence	0 061 285	1 ea.
3 Maxi Stop pendulum-stop system	0 051 502	1 ea.

Other accessories



Description	Order no.	PU
1 Press-in frame for BlueMax mini type 3	0 070 032	1 ea.
2 Pneumatic hold-down clamp for BlueMax Mini, type 3	0 072 146	1 ea.
3 2000 mm scaled fence extension with scale for BlueMax Mini	0 061 268	1 ea.

Insertion die for BlueMax Mini Modular and BlueMax Mini Type 3



► For pressing in hinges

Description	Order no.	PU
For Sensys / Interimat hinges with knock in cup	9 180 604	1 ea.

Drill bits



- Turning left or right
- Turning direction colour coded: right = black, left = red
- Length 57 mm
- Shaft diameter 10 mm

Diameter mm	Order no. / Drilling direction		PU
	left	right	
5	0 053 949	0 053 950	1 ea.
8	0 053 818	0 053 817	1 ea.
10	0 053 951	0 053 952	1 ea.
15	9 106 107	9 106 102	1 ea.
20	9 106 113	9 106 104	1 ea.
30		9 106 103	1 ea.
35	9 106 120	9 106 101	1 ea.
40		9 106 121	1 ea.

- 35 mm RH drill bit with no tip
- Tip length 1 mm
- Suitable for use with thin material

Diameter mm	Order no. / Drilling direction		PU
		right	
35		9 125 451	1 ea.

Sets of drill bits



- Various sets of drill bits for BlueMax Modular Mini drilling and insertion machines

Description	Order no.	PU
Set of hinge drill bits for interchangeable drilling unit, 9 spindles, for BlueMax Mini Modular Plus, BlueMax Mini Modular (5 x ø 5 mm right hand, 4 x ø 5 mm left hand)	9 131 483	1 set
Set of hinge drill bits for BlueMax Mini, type 3, BlueMax Mini, type 2 / 6 (1 x ø 35 mm right hand, 2 x ø 10 mm left hand)	0 072 144	1 set

Drill bit for Practica 265



- ▶ Turning right
- ▶ Length 57 mm
- ▶ Drill diameter 4 mm
- ▶ Shaft diameter 10 mm

Order no.	PU
9 288 979	1 ea.

Quick change chuck for drill bits

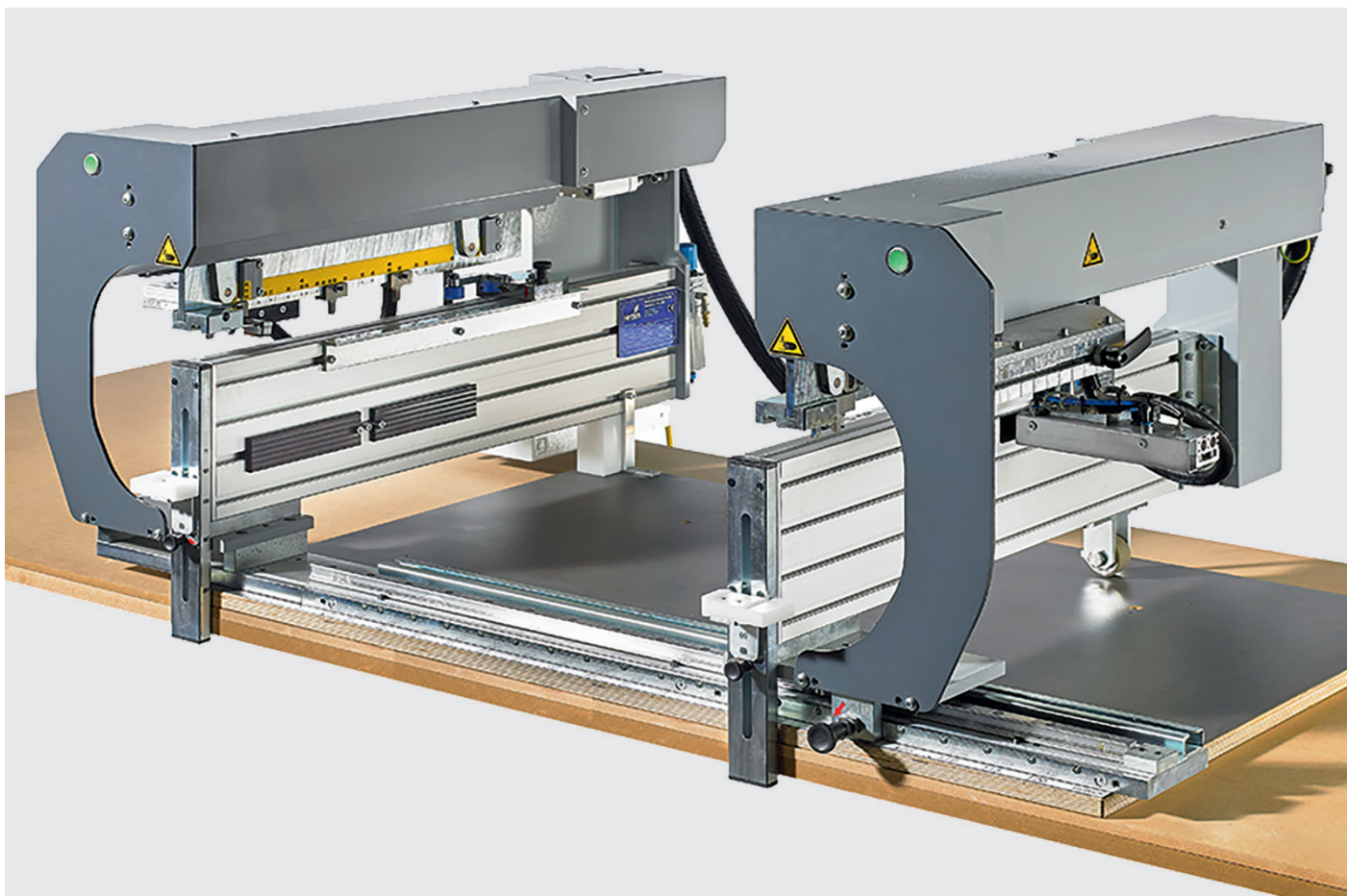


- ▶ Drill chuck for interchangeable drilling unit with quick release chuck

Order no.	PU
9 131 497	1 ea.



[hettich.com/short/59625d](https://www.hettich.com/short/59625d)



Saving time while achieving precise work results

You can now receive active support in meeting the technical challenges encountered in the furniture workshop: from Hettich's intelligent work assistants. These make the various production steps faster, more accurate and more reliable. Valuable assistance in the processing

and assembly of drawers, runners, hinges, mounting plates, connecting fittings, drawer fronts, handles etc. You can significantly increase your work efficiency with Hettich work assistants.



Drilling the systematic way: the Accura drilling jig with various drill bodies is the versatile modular system for your furniture workshop.



For fitting drawer fronts with effortless ease: Practica drilling jig.



Efficient and fast: with the DrillJig drilling jig, you can install connecting fittings and hinges in next to no time.

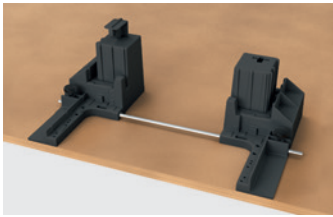


hettich.com/short/1ba5ca

Precision positioning: using the BlueJig Griff drilling jig, furniture handles and knobs reliably find their correct position.

Assembly aids and drilling jigs

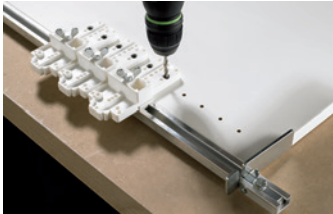
► Summary



Assembly aids for drawers

- For AvanTech and InnoTech Atira
- Range summary / technical comparison

24, 28



Drilling jigs

- For hinges and mounting plates
- For runners, connecting fittings and handles
- Range summary / technical comparison

30 - 31



Drilling jigs for front / rear panel fixing

- For AvanTech and InnoTech Atira
- Range summary / technical comparison

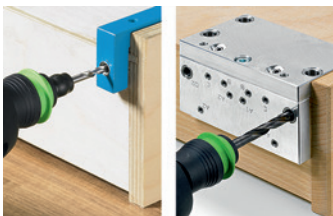
38



Drilling jigs for mounting hinges

- Range summary / technical comparison

44



Drilling jigs for installing runners, handles and knobs

- For Quadro drawer runners on wooden drawers,
- Actro 5D /Actro YOU /Quadro YOU on wooden drawers
- Range summary / technical comparison

50




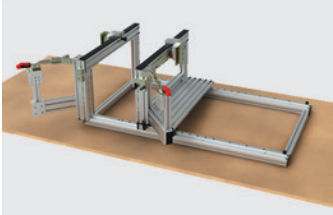
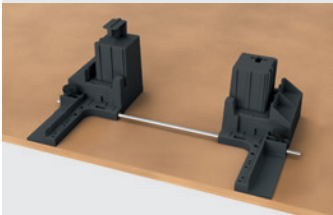
Tooling for knocking in hinges / drawers and drilling jigs for slide on installation

- Knock in tools for AvanTech knock in front connectors

53

Assembly aids for drawers

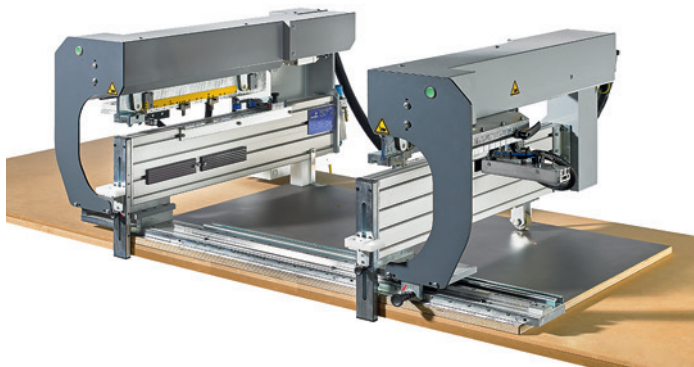
► Range summary / technical comparison

	AvanFit 300 	AvanFit 200 	AvanFit 100 
Page	25	25	25
Description	Stationary assembly aid	Stationary assembly aid	Transportable assembly aid
Suitable for installation of	AvanTech YOU drawers and pot-and-pan drawers	AvanTech YOU drawers and pot-and-pan drawers	AvanTech YOU drawers and pot-and-pan drawers
Efficiency	Up to 65 drawers an hour	Up to 30 drawers an hour	Up to 10 drawers an hour

Assembly aids for drawers

▶ AvanFit

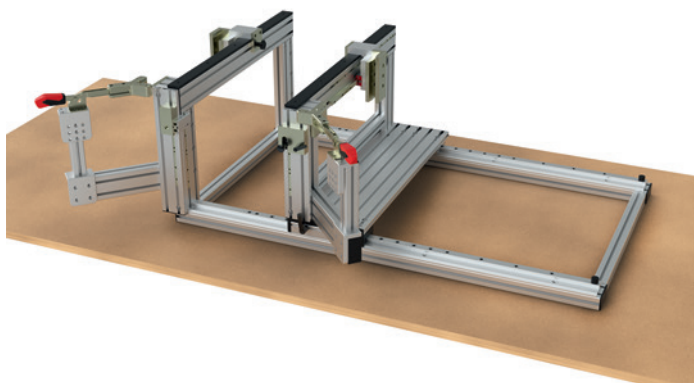
AvanFit 300



- ▶ For assembling AvanTech YOU drawers and pot-and-pan drawers
- ▶ Manual system positioning and pneumatic system pressing
- ▶ All settings can be made without the need for tools
- ▶ Power supply 110 / 230 V and 50 / 60 Hz
- ▶ Air pressure 6 - 8 bar / 100 psi
- ▶ Capacity: up to 65 drawers an hour
- ▶ Metal frame

Order no.	PU
9 277 500	1 ea.

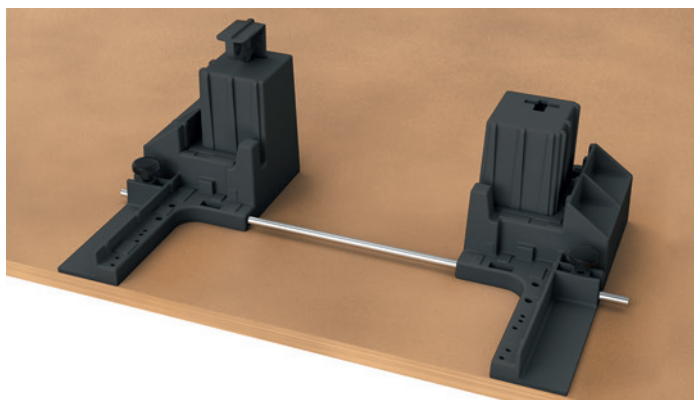
AvanFit 200



- ▶ For assembling AvanTech YOU drawers and pot-and-pan drawers
- ▶ Manual component positioning and assembling
- ▶ All settings can be made without the need for tools
- ▶ Aluminium frame
- ▶ Capacity: up to 30 drawers an hour

Order no.	PU
9 219 689	1 ea.

AvanFit 100



- ▶ For assembling AvanTech YOU drawers and pot-and-pan drawers
- ▶ Manual component positioning and assembling
- ▶ All settings can be made without the need for tools
- ▶ Plastic
- ▶ Capacity: up to 10 drawers an hour

Order no.	PU
9 219 678	1 ea.

Assembly aids for drawers

► Knock in tool for AvanTech YOU

Attachmentset H 77 for AvanFit 100



- For assembling AvanTech YOU H77 drawers
- Attachment set
- Can only be used in combination with AvanFit 100
- Plastic

Order no.	PU
9 300 517	1 Set

Knock in tool



- For installing AvanTech YOU
- For knocking in the drawer base clamps into the drawer side profile
- Galvanised steel, plastic

Order no.	PU
9 275 330	1 ea.

Knock in tool



- For installing AvanTech YOU
- For knocking in the rear panel clip into the drawer side profile
- Galvanised steel, plastic


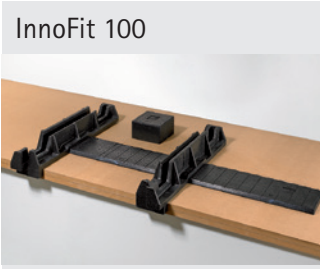
Order no.	PU
9 285 182	1 ea.



[hettich.com/short/56af53](https://www.hettich.com/short/56af53)

Assembly aids for drawers

► Range summary / technical comparison

	InnoFit 300	InnoFit 100
		
Page	29	29
Description	Stationary assembly aid	Transportable assembly aid
Suitable for installation of	InnoTech / InnoTech Atira drawers and pot-and-pan drawers	InnoTech / InnoTech Atira drawers and pot-and-pan drawers
Efficiency	Up to 65 drawers an hour	Up to 15 drawers an hour

Assembly aids for drawers

- ▶ InnoFit / InnoFit Atira
- ▶ Knock in tool for InnoTech Atira

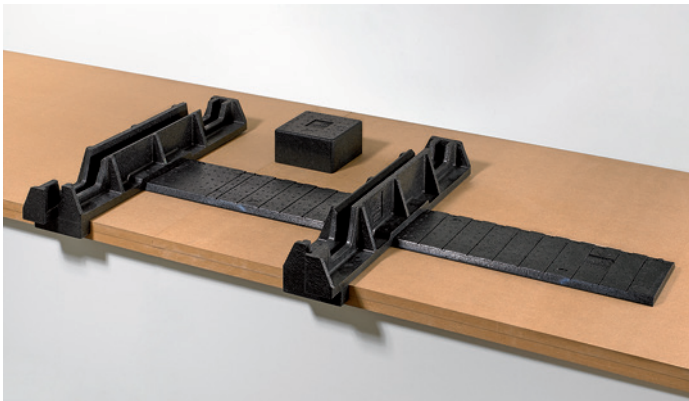
InnoFit 300



- ▶ For assembling InnoTech / InnoTech Atira drawers and pot-and-pan drawers
- ▶ Manual component positioning, pneumatic pressing
- ▶ All settings can be made without the need for tools
- ▶ Air pressure 6 - 8 bar / 100 psi
- ▶ Capacity: up to 65 drawers an hour
- ▶ Metal frame

Order no.	PU
9 019 743	1 ea.

InnoFit 100



- ▶ For assembling InnoTech / InnoTech Atira drawers and pot-and-pan drawers
- ▶ Manual component positioning and assembling
- ▶ All settings can be made without the need for tools
- ▶ Capacity: up to 15 drawers an hour
- ▶ Lightweight foamed plastic

Order no.	PU
0 045 555	1 ea.

Knock in tool

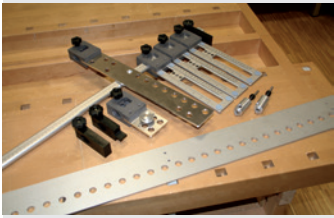

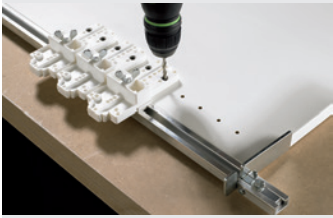


- ▶ For installing InnoTech Atira
- ▶ For knocking in the drawer base clamps into the drawer side profile
- ▶ Galvanised steel, plastic

Order no.	PU
0 078 091	1 ea.

Drilling jigs

- ▶ For hinges, mounting plates, runners, connecting fittings and handles
- ▶ Range summary / technical comparison

	<p>Accura</p> 	<p>Cabinet body drilling jig for runners</p> 	<p>Exakta</p> 
Page	32 - 33	34	35
Description	Ruler drilling jig with various modular system drilling templates and sleeve drills	Cabinet body drilling jig for runners	Ruler drilling jig with versatile drill body
Suitable for installation of	System 32 fittings, hinges, mounting plates, runners, handles and knobs	Runners Actro YOU, Quadro YOU, Actro 5D, Actro, Quadro	Rastex 15 and VB 35, VB 36 connecting fittings, hinges, mounting plates and handles

Drilling jigs

- ▶ For hinges, mounting plates, runners, connecting fittings and handles
- ▶ Range summary / technical comparison

MultiBlue



36

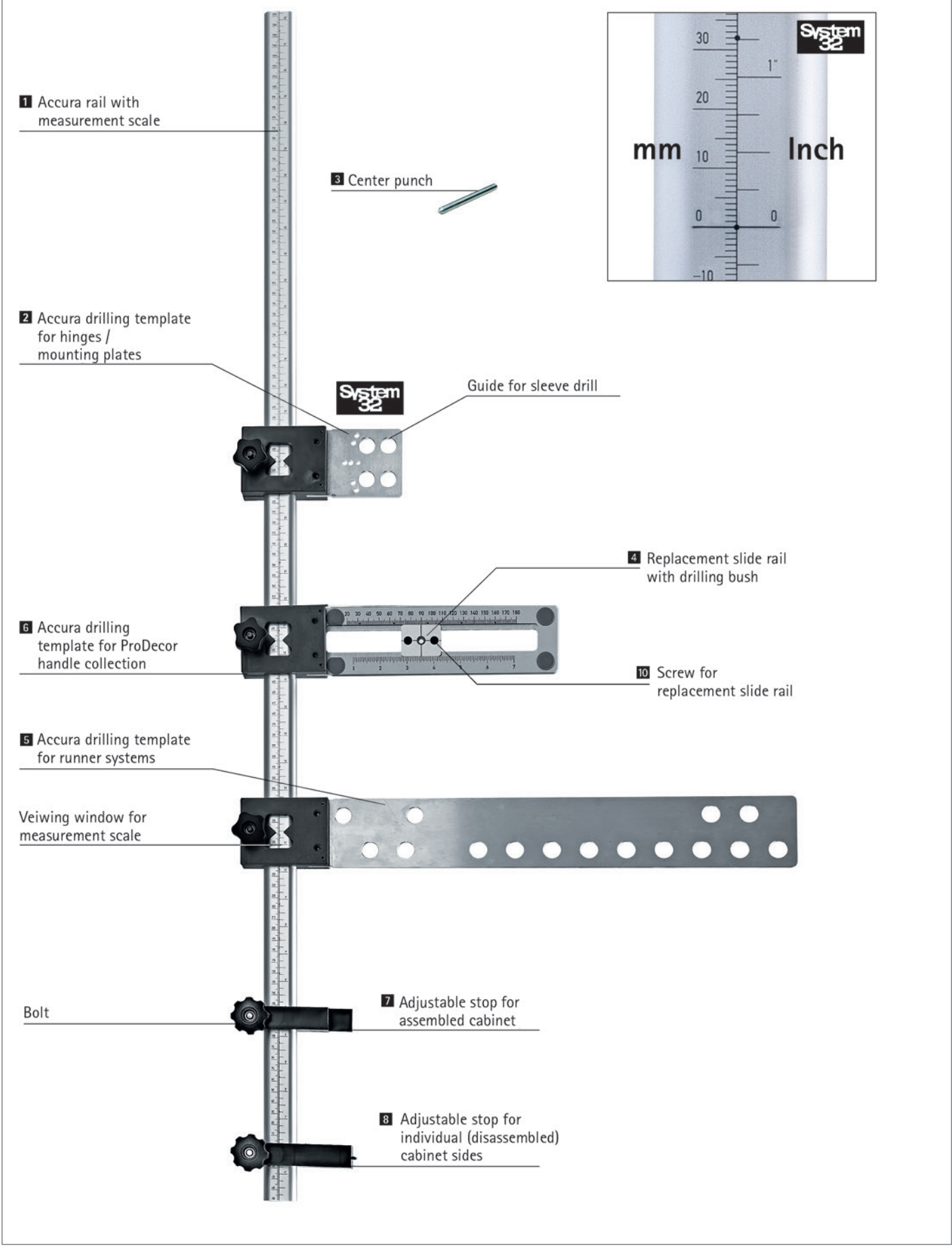
Small, versatile
hole marking jig

Rastex 25 and VB 35,
connecting fittings, hinges and
mounting plates

Drilling jigs

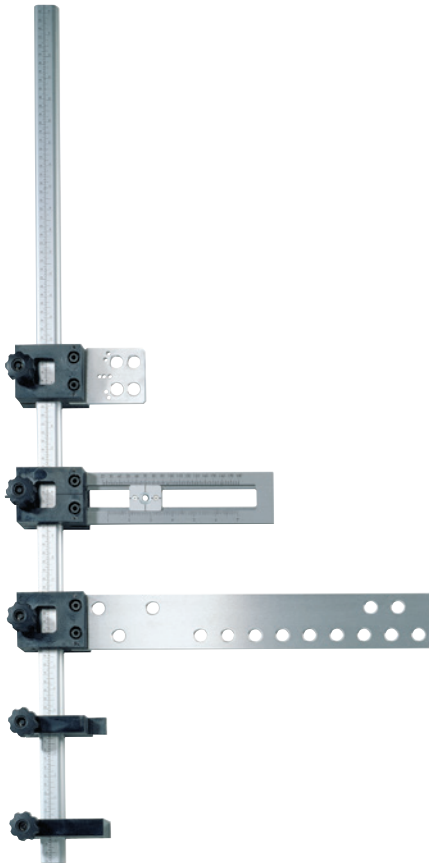
- ▶ Accura
- ▶ For hinges, mounting plates, runners and handles

Drilling jig Accura



Drilling jigs

- ▶ Accura
- ▶ For hinges, mounting plates, runners and handles



- ▶ Modular system drilling jig
- ▶ Providing versatility, a variety of drilling templates are available for mounting all sorts of fittings
- ▶ Efficient, economical and professional
- ▶ Stops can be used on the left and right
- ▶ Easy adjustment of drill bodies and stops via clamping screws
- ▶ Rail with measurement scale
- ▶ Dimension easy to find through viewing window in the drill body
- ▶ Drill body and rail in aluminium
- ▶ Using sleeve drill bits - minimum drill wear as the drill bit does not come into contact with the jig
- ▶ Please order sleeve drill accessories separately

The various Accura drilling templates can be used for mounting the following fittings:

- ▶ Actro YOU / Quadro YOU for AvanTech YOU
- ▶ Actro 5D / Quadro for wooden drawers
- ▶ Actro runners for ArciTech
- ▶ Quadro runners for InnoTech Atira
- ▶ Quadro runners with slide on assembly and full extension runner
- ▶ Ball bearing runners KA
- ▶ For Sensys, Intermat and mounting plates
- ▶ System 32, hole line drillings
- ▶ Handles with 2 or 3 plinths for a drill hole spacing of 64 mm or more
- ▶ Furniture knobs

Accura

Article	Order no.	PU
1 Accura rail with measurement scale, length 500 mm	0 044 764	1 ea.
1 Accura rail with measurement scale, length 1000 mm	0 070 263	1 ea.
2 Accura drill body with centring pin and marking element, aluminium / plastic, for hinges / mounting plates	0 013 841	1 ea.
3 Centring pin	0 023 680	1 ea.
4 Replacement slide rail with drilling bush for Accura drill body for handles and knobs	0 044 767	1 ea.
5 Accura drill body for runner systems, aluminium / plastic	0 070 265	1 ea.
6 Accura drill body for handles and knobs, aluminium / plastic	0 044 765	1 ea.
7 Adjustable stop for assembled cabinet body, plastic	0 070 267	1 ea.
8 Adjustable stop for individual (disassembled) cabinet body sides, plastic	0 070 266	1 ea.



hettich.com/short/490be5

Drilling jigs

- ▶ Accura
- ▶ Sleeve drill

Cabinet drilling jig for runners



- ▶ Can be used for:
 - Runner system, Actro YOU / Quadro YOU for AvanTech YOU
 - Actro 5D runner system for wooden drawers
 - Actro runner system for ArciTech
 - Runner system, Quadro for InnoTech Atira
 - Quadro for wooden drawers (slide on and installation, partial and full extension runners)
 - Ball bearing runners KA
- ▶ Plastic

Order no.	PU
9 257 327	1 ea.

Sleeve drill



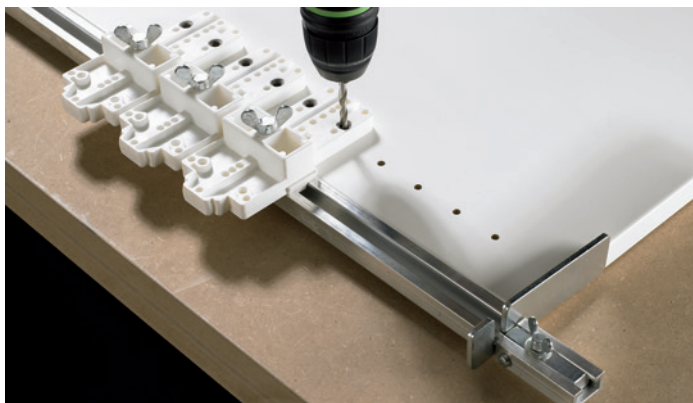
- ▶ Minimal drill wear as the drill bit does not come into contact with the jig
- ▶ Precision drill bit guidance through sleeve
- ▶ Adjustable drill depth stop
- ▶ Can be used with Accura, Practica

Description	Diameter mm	Order no.	PU
Sleeve drill	3	0 078 095	1 ea.
Sleeve drill	5	0 070 268	1 ea.
Sleeve drill	10	0 078 096	1 ea.
Spare drill bit without sleeve	3	0 079 004	1 ea.
Spare drill bit without sleeve	5	0 070 269	1 ea.
Spare drill bit without sleeve	10	0 079 005	1 ea.

Drilling jigs

- ▶ Exakta
- ▶ For hinges, mounting plates, connecting fittings and shelf supports

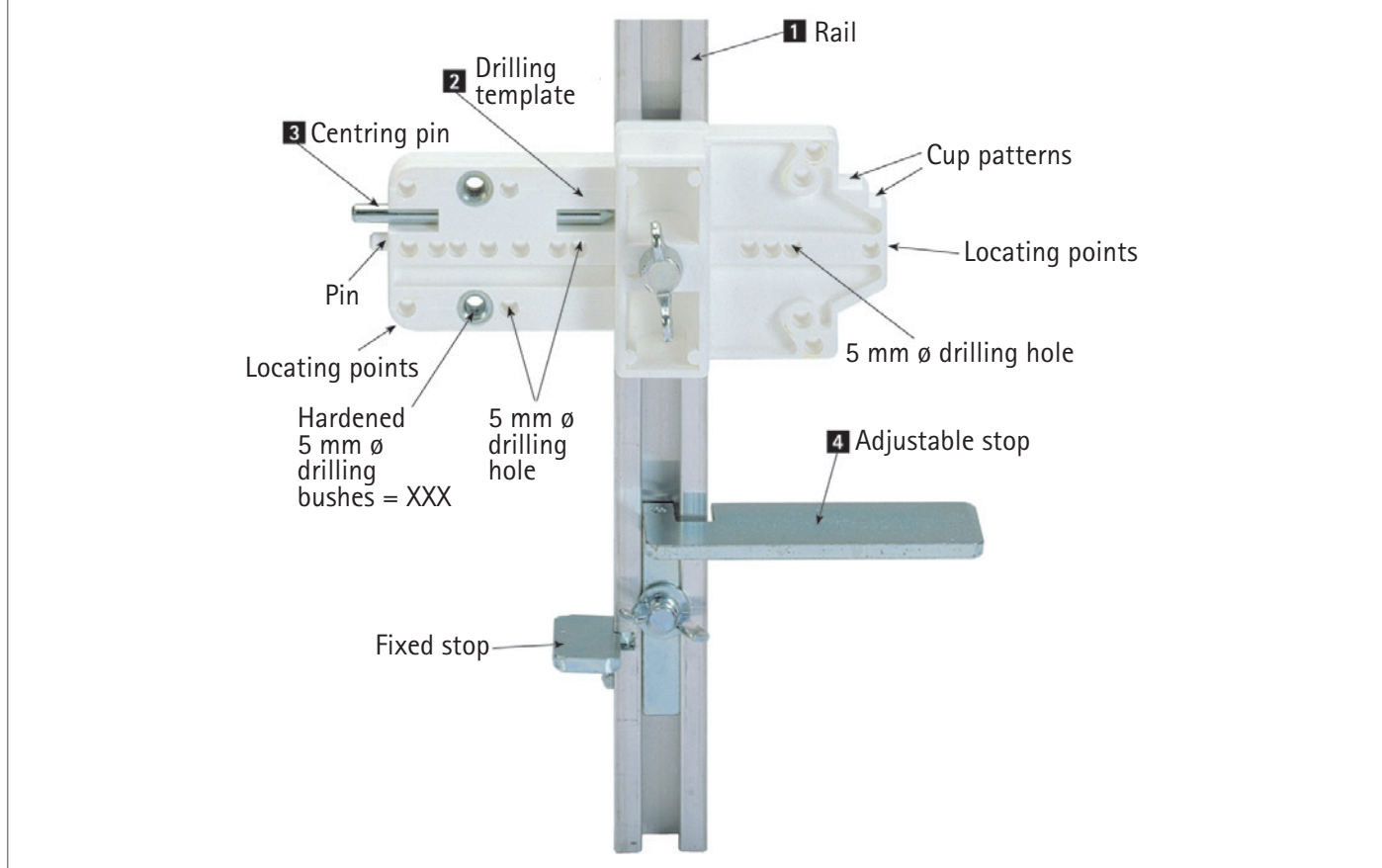
Exakta drilling jig



- ▶ Practical for small furniture batches, constructing samples and contract furnishing
- ▶ For greater accuracy and efficient production
- ▶ Application areas:
 - for drilling \varnothing 5 mm holes in System 32
 - for marking the holes for hinges and mounting plates
 - for marking the holes for VB 35 / 36 and Rastex 15 connecting fittings

Article	Order no.	PU
1 1000 mm rail with 2 stops (fixed and adjustable stop)	0 014 825	1 ea.
1 2000 mm rail with 2 stops (fixed and adjustable stop)	0 014 826	1 ea.
2 Drilling template	0 022 617	1 ea.
3 Centring pin	0 023 680	1 ea.
4 Adjustable stop	0 073 788	1 ea.

Exploded drawing

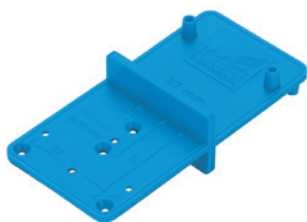


hettich.com/short/3cde38

Drilling jigs

- ▶ MultiBlue
- ▶ For hinges, mounting plates, connecting fittings and shelf supports

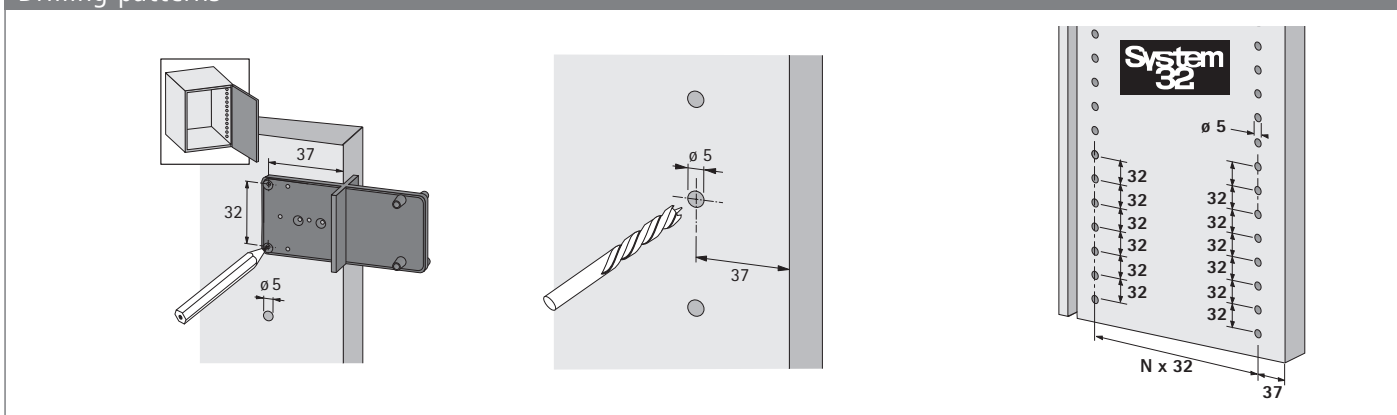
MultiBlue hole marking jig



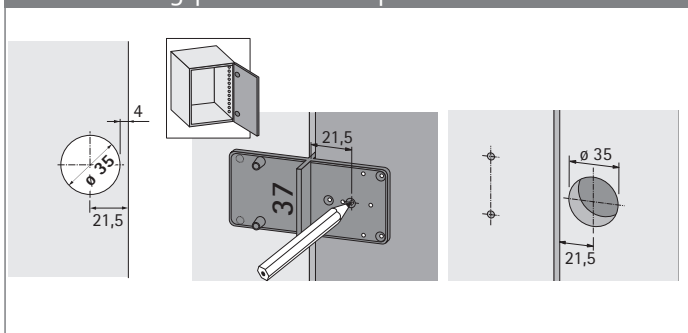
- ▶ Simple hole marking jig: the perfect aid for on site assembly whenever one or the other fitting has to be mounted professionally without the use of large machinery
- ▶ Practical, compact and multifunctional all in one
- ▶ The double sided MultiBlue hole marking jig is used to mark a hole centre for
 - Drill holes in System 32, e.g. for mounting plates, dowels, shelf supports
 - \varnothing 35 cup drillings with 4 mm cup distance for hinges
 - \varnothing 25 drill holes for Rastex 25 connecting fittings
 - \varnothing 20 drill holes for VB 35 connecting fittings
- ▶ Blue plastic

Order no.	PU
0 000 351	1 ea.

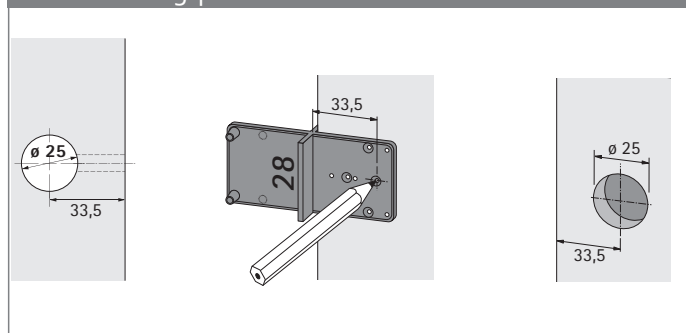
Drilling patterns



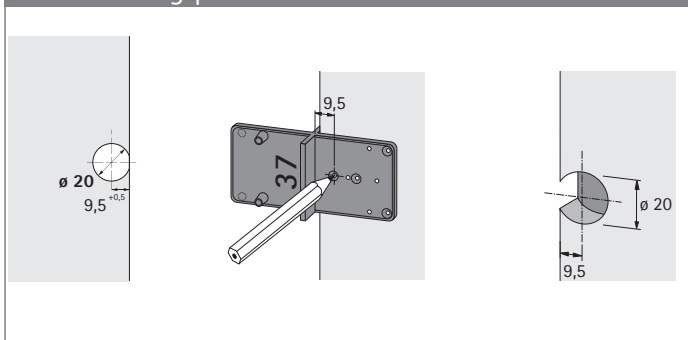
Hole marking position for cup dia. 35 mm



Hole marking position for Rastex 25



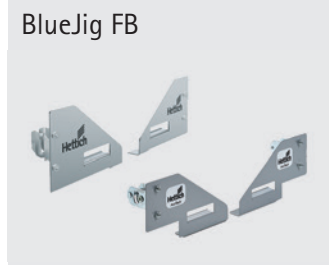
Hole marking position for VB 35



hettich.com/short/df7855

Drilling jigs

- ▶ For front / rear panel fixing
- ▶ Range summary / technical comparison



Page

39

40 - 43

Suitable for installation of

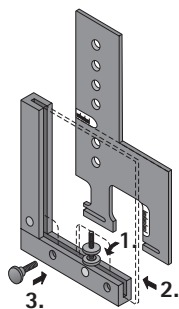
Front panels /rear panels of:
▶ AvanTech YOU drawers
▶ InnoTech Atira drawers

Front panel fixings for:
▶ AvanTech YOU drawers
▶ InnoTech Atira drawers

Drilling jigs

- ▶ Practica
- ▶ For connecting front panels

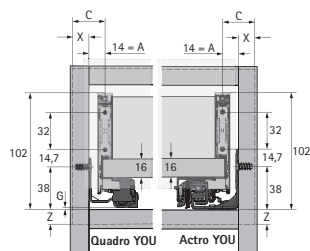
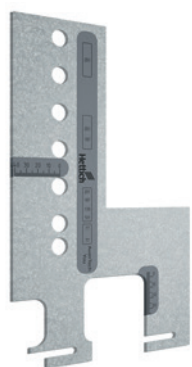
Face angle application



- ▶ Face angle application for combination with Practica drilling jig for
 - AvanTech YOU / InnoTech Atira
- ▶ Aluminium

Order no.	PU
0 078 093	1 ea.

Practica for AvanTech YOU

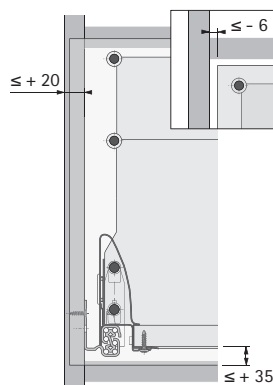
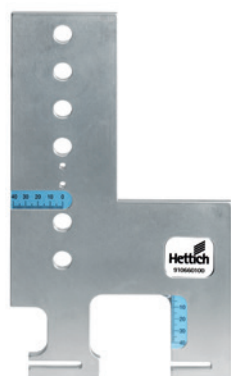


- ▶ For installing the front panel connector for
 - AvanTech YOU drawer / pot-and-pan drawer
- ▶ AvanTech YOU adjustment range
 - Side front panel overlay: up to +25 mm
 - Front panel height: from bottom edge of drawer runner, up to + 22 mm
- ▶ Aluminium

Page reference:
▶ For accessory sleeve drill, see page 34

Order no.	PU
9 257 320	1 ea.

Practica for InnoTech Atira



- ▶ For installing the front panel connector for
 - InnoTech Atira drawer / pot-and-pan drawer
 - InnoTech Atira pot-and-pan drawer with 2nd railing level
- ▶ Adjustment range
 - Side front panel overlay: up to - 6 mm, up to + 20 mm
 - Front panel height: up to + 35 mm from bottom edge of base
- ▶ Aluminium
- ▶ Please order sleeve drill accessories separately

Page reference:
▶ For accessory sleeve drill, see page 34

Order no.	PU
0 013 392	1 ea.

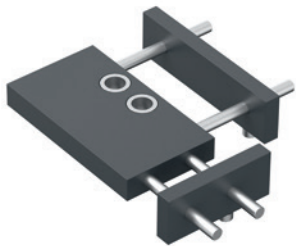


hettich.com/short/bd9571

Drilling jigs

- ▶ Practica
- ▶ For connecting front panels

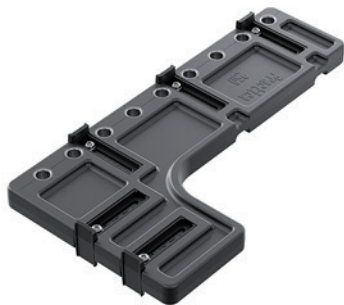
Practica 240 for AvanTech YOU



- For drilling holes for connecting the front panel to AvanTech YOU:
- ▶ Low drawer side profile H 77
 - ▶ Aluminium
 - ▶ Hardened steel drilling bushes for 10 mm drill bit with depth setting ring

Order no.	PU
9 257 318	1 ea.

Practica 250 for AvanTech YOU



- For drilling holes for connecting the front panel to AvanTech YOU:
- ▶ Drawer / pot-and-pan drawer
 - ▶ Plastic
 - ▶ Hardened steel drilling bushes for 10 mm drill bit with depth setting ring

Order no.	PU
9 219 328	1 ea.

Drilling jigs

- ▶ Practica
- ▶ For connecting front panels, rear panel fixing

Practica 265 for AvanTech YOU



For drilling holes for connecting the aluminium front panels to AvanTech YOU:

- ▶ Plastic
- ▶ Hardened steel drilling bushes for 3 mm drill bit

Order no.	PU
9 254 997	1 ea.

Practica 275 for AvanTech YOU



For drilling wooden / aluminium AvanTech YOU rear panels:

- ▶ Drawer side profile connectors
- ▶ Drawer side profile heights 101 / 139 / 187 / 251 mm
- ▶ Plastic
- ▶ Hardened steel drilling bushes for 4 mm drill bit
- ▶ 4 mm drill bit included in set

Page reference:
See separate drill bit on page 21

Order no.	PU
9 257 321	1 ea.

Practica 295 for AvanTech YOU



For drilling the AvanTech YOU wooden drawer rear panel:

- ▶ Drawer side profile connectors
- ▶ C hook mount, drawer profile height 77 mm
- ▶ Plastic
- ▶ Hardened steel drilling bushes for 4 mm and 6 mm drill bits
- ▶ C hook drilling with 6 mm drill bit and depth setting ring

Order no.	PU
9 257 322	1 ea.

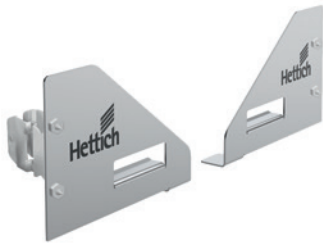


hettich.com/short/bd9571

Drilling jigs

- ▶ BlueJig FB
- ▶ For AvanTech YOU

BlueJig AvanTech 105



For marking hole centre for attaching the drawer front connector to AvanTech YOU:

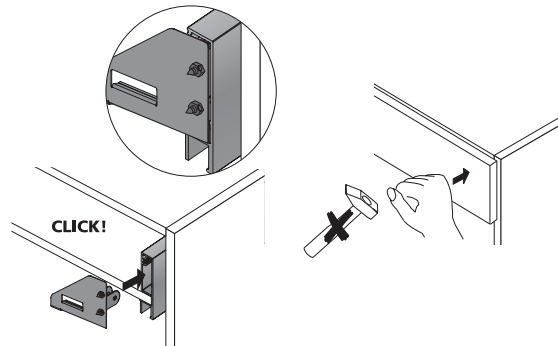
- ▶ Drawer height 101 / 139 mm
- ▶ Steel
- ▶ Drawer front connector with centring tips

Set comprises:

- ▶ 2 BlueJig AvanTech YOU 105 (right / left)

Order no.	PU
9 257 323	1 set

Aligning the centre punch up against the drawer



BlueJig AvanTech 205



For marking hole centre for attaching the drawer front connector to AvanTech YOU:

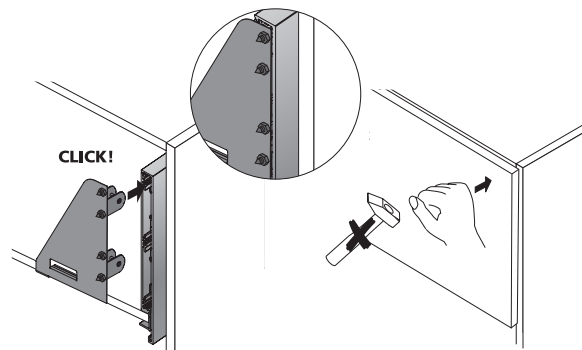
- ▶ Drawer height 187 mm / 251 mm
- ▶ Steel
- ▶ Drawer front connector with centring tips

Set comprises:

- ▶ 2 BlueJig AvanTech YOU 205 (right / left)

Order no.	PU
9 257 324	1 set

Aligning the centre punch up against the drawer



Drilling jigs

- ▶ BlueJig FB
- ▶ For AvanTech YOU, ArciTech

BlueJig AvanTech 305 Inlay



For marking hole centre for attaching the drawer front connector to AvanTech YOU Inlay:

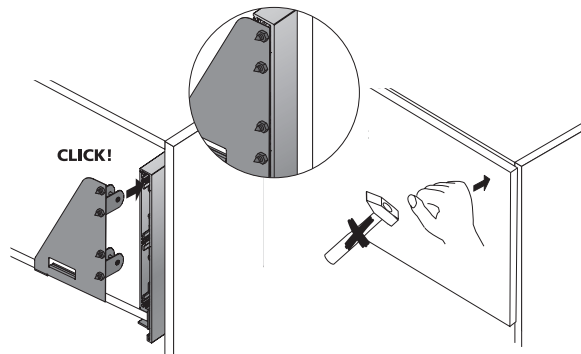
- ▶ Drawer height 187 mm
- ▶ Steel
- ▶ Drawer front connector with centring tips

Set comprises:

- ▶ 2 BlueJig AvanTech YOU 305 (right / left)

Order no.	PU
9 257 331	1 set

Aligning the centre punch up against the drawer



BlueJig IT

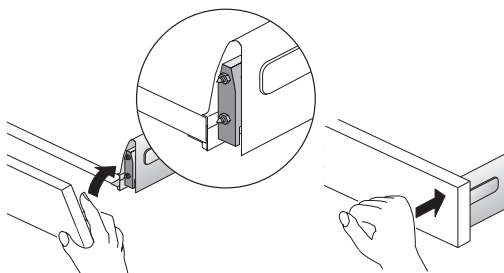


- ▶ For marking the holes for fitting InnoTech / InnoTech Atira drawer front connector
- ▶ Plastic / steel

Set comprises:

- ▶ 2 BlueJig IT

Order no.	PU
0 078 097	1 set



Insert hole marking jig in drawer profile

Align front panel and mark drilling positions

Drilling jigs

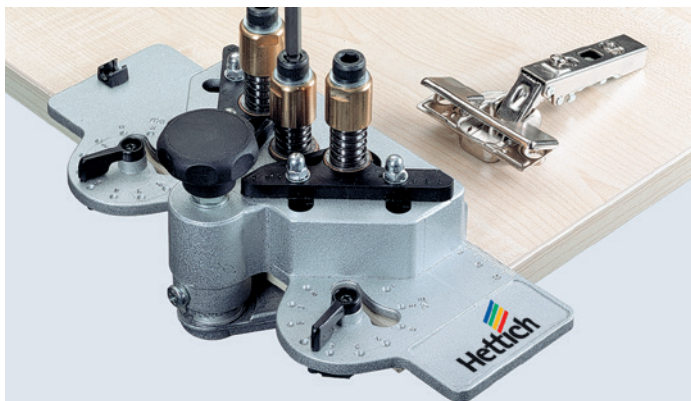
- ▶ For mounting hinges
- ▶ Range summary / technical comparison

	DrillJig Hinge	BlueJig Hinge	Push to open Pin
Page	45	46	47 - 48
Suitable for installation of	Hinges, mounting plates	Hinges, mounting plates	Push to open Pin

Drilling jigs

- ▶ DrillJig Hinge
- ▶ For hinges

DrillJig Hinge drilling jig, drill bit \varnothing 35 mm / 2 x \varnothing 10 mm



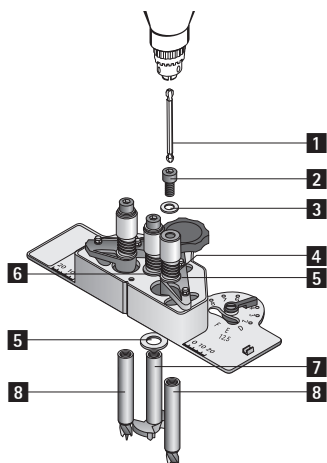
- ▶ For precision installation of hinges on one off or custom made items or for retrofitting furniture doors at the customer
- ▶ Precision, clean, angled hole drillings
- ▶ Carbide tipped drill bits
- ▶ No "running away" of the drill bit when drilling half moon drillings
- ▶ Precision, clean hole drilling for hinges and mounting plates
- ▶ Hand drills or cordless screwdriver required
- ▶ The DrillJig Hinge can be used for mounting the following hinge and mounting plate ranges:
 - Sensys, Intermat, cross mounting plates

Set comprises:

- ▶ 1 drill body for hinges
- ▶ 1 drill body for mounting plates
- ▶ 1 hexagonal driver
- ▶ 1 drill bit, \varnothing 35 mm, chucked
- ▶ 2 drill bits, \varnothing 10 or 2.5 mm, chucked

Article	Order no.	PU
DrillJig Hinge drilling jig, drill bit \varnothing 35 mm / 2 x \varnothing 10 mm	0 020 165	1 set

Accessories



Article	Order no.	PU
1 Hexagonal driver	0 020 695	1 ea.
2 Hexagon socket screw M8 x 16 DIN 912	0 020 689	1 ea.
3 Washer, 8.4 DIN 125, for DrillJig Hinge	9 131 491	1 ea.
4 Spring for DrillJig Hinge	9 131 488	1 ea.
5 Washer, 12 x 18 x 0.5, DIN 988, for DrillJig Hinge	9 131 492	1 ea.
6 Sleeve for DrillJig Hinge	9 131 487	1 ea.
7 Drill bit, \varnothing 35 mm	0 020 688	1 ea.
8 Drill bit, \varnothing 10 mm	0 020 687	1 ea.



[hettich.com/short/0fa55a](https://www.hettich.com/short/0fa55a)

Drilling jigs

- ▶ BlueJig Hinge
- ▶ For hinges

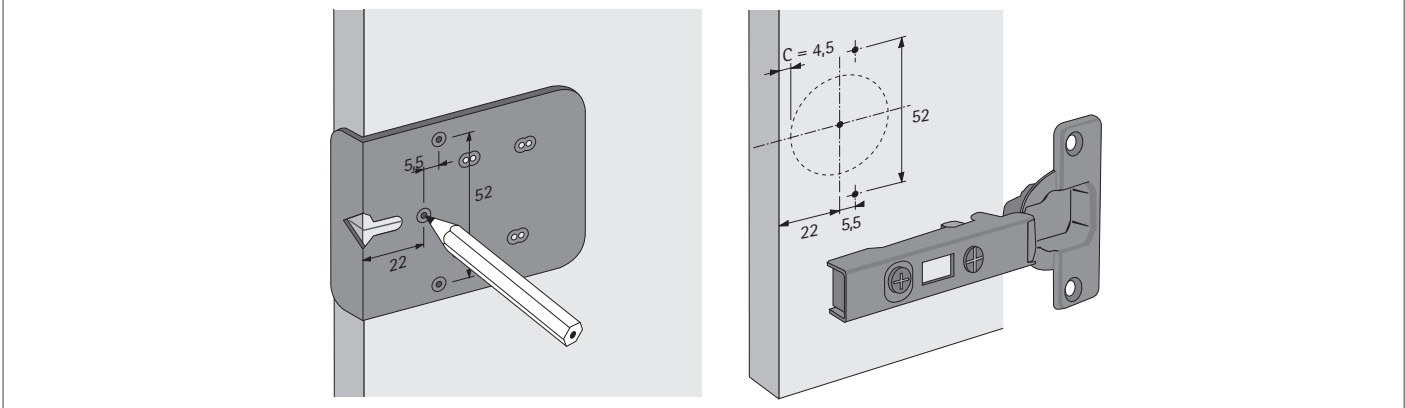
BlueJig Hinge



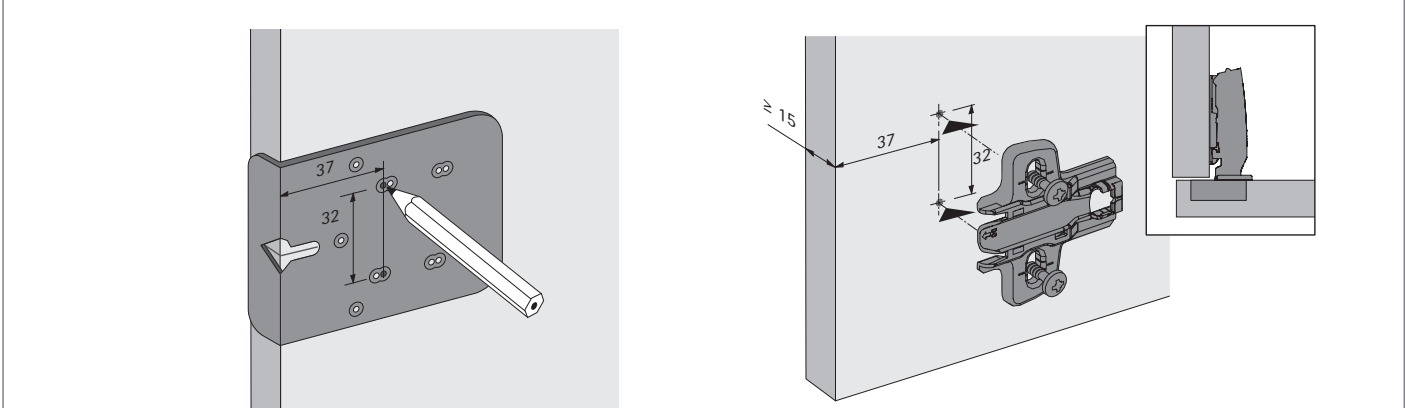
- ▶ Ideal for use on site
- ▶ For marking hole centre drilling patterns for hinges (drilling pattern TH) and cross mounting plates
- ▶ For overlay, half overlay and inset front panels
- ▶ Blue plastic

Order no.	PU
0 045 150	1 ea.

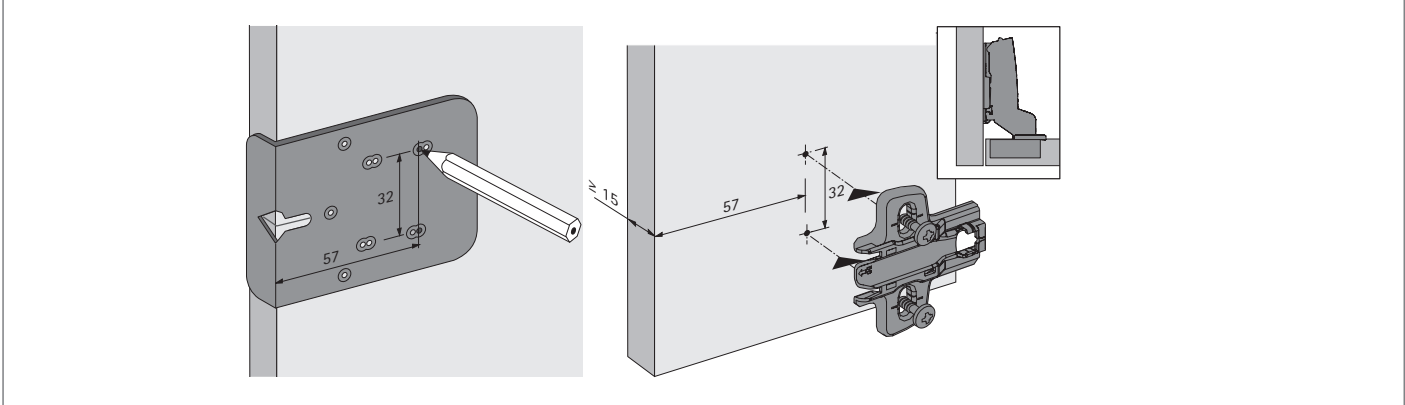
Hole marking position for hinges with TH drilling pattern



Hole marking position for cross mounting plate for overlay / half-overlay front



Hole marking position for cross mounting plate for inset front (19 mm thick)



Drilling jigs

- ▶ Drilling jig for Push to open drill in versions
- ▶ For hinges

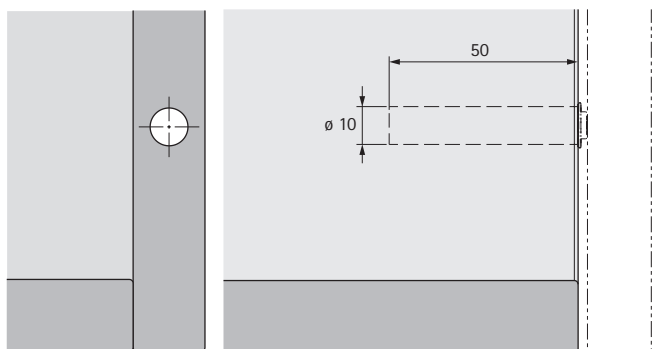
Drilling jig for Push to open



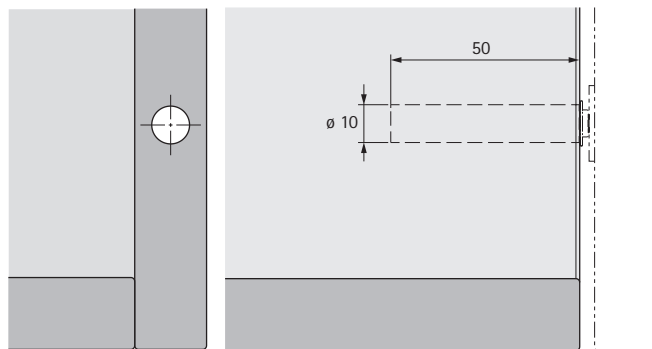
- ▶ For drilling the horizontal drill hole on the cabinet body for Push to open drill in versions
- ▶ Universal, for all material thicknesses
- ▶ Drilling bushes in hardened steel
- ▶ Plastic
- ▶ Drill bit and setting ring are not included

Order no.	PU
9 207 524	1 ea.

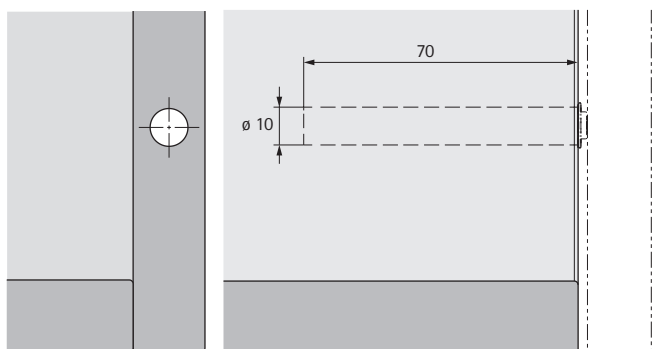
Drilling pattern for short travel, Push to open Pin



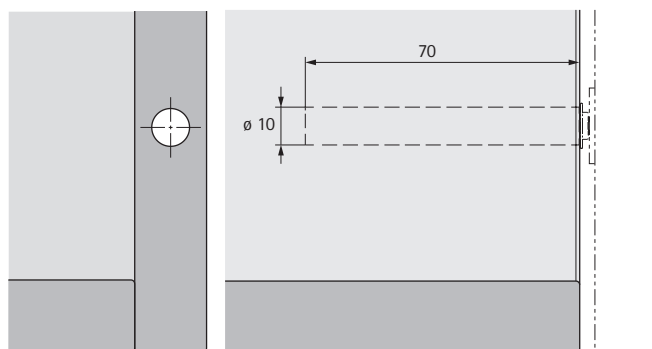
Drilling pattern for short travel, Push to open Magnet



Drilling pattern for long travel, Push to open Pin



Drilling pattern for long travel, Push to open Magnet



[hettich.com/short/d4383b](https://www.hettich.com/short/d4383b)

Push to open opening system for handleless furniture fronts

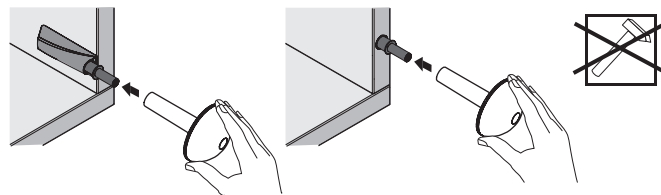
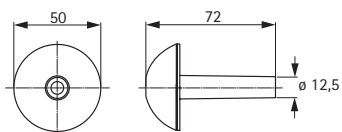
- ▶ Assembly aids
- ▶ Installation aid for Push to open

Installation aid for Push to open



- ▶ Press in aid for installing Push to open drill in versions
- ▶ Assists the process of pressing into adapter housings
- ▶ Assists the process of pressing into side panels
- ▶ Used by hand
- ▶ Plastic

Order no.	PU
9 090 888	1 ea.



Drilling jigs

- ▶ For installing runners, handles and knobs
- ▶ Range summary / technical comparison

BlueJig wooden drawers



Page	51 - 52
Suitable for installation of	Actro YOU/ Quadro YOU /Actro 5D / Quadro EB 20 for wooden drawers

Drilling jigs

- ▶ BlueJig Actro YOU, Push to open
- ▶ For fitting Actro YOU to wooden drawers, adjusting Push to open

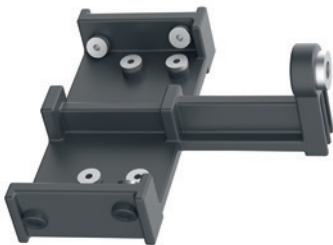
BlueJig Actro YOU



- ▶ For drilling the holes for the C hook and catch for Actro 5D / Actro YOU runners on wooden drawers
- ▶ Plastic with hardened drilling bushes in steel
- ▶ Please order twist drill accessories separately

Order no.	PU
9 257 813	1 ea.

BlueJig Quadro YOU



- ▶ For drilling the hole for the C hook on Quadro YOU runners and wooden drawers
- ▶ For drilling the holes for the catches on wooden drawers
- ▶ Plastic with hardened drilling bushes in steel
- ▶ Please order twist drill accessories separately

Order no.	PU
9 257 325	1 ea.

BlueJig Push to open



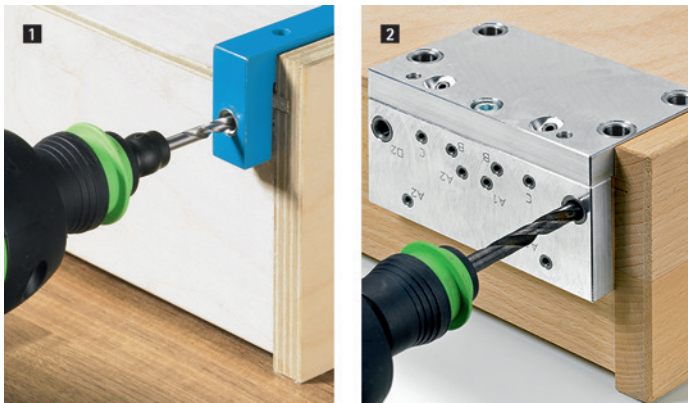
- ▶ For adjusting the drawer front gap with Push to open Silent opening system on drawer runners:
 - Actro 5D
 - Actro YOU
 - Quadro YOU
- ▶ Plastic

Order no.	PU
9 257 326	1 ea.

Drilling jigs

- ▶ BlueJig Quadro EB 20 Start, EB 20
- ▶ For fitting Quadro to wooden drawers

BlueJig Quadro EB 20 Start / BlueJig Quadro EB 20



Quadro EB 20 Start

- ▶ For drilling the $\varnothing 6$ mm hole for the C hook on Actro 5D / Actro YOU / Quadro YOU / Quadro runners for wooden drawers
- ▶ For marking the 8 mm \varnothing holes for catches for pull-out shelves / wooden drawers with flush bottom panel
- ▶ Black plastic with hardened steel drilling bush
- ▶ Please order twist drill accessories separately

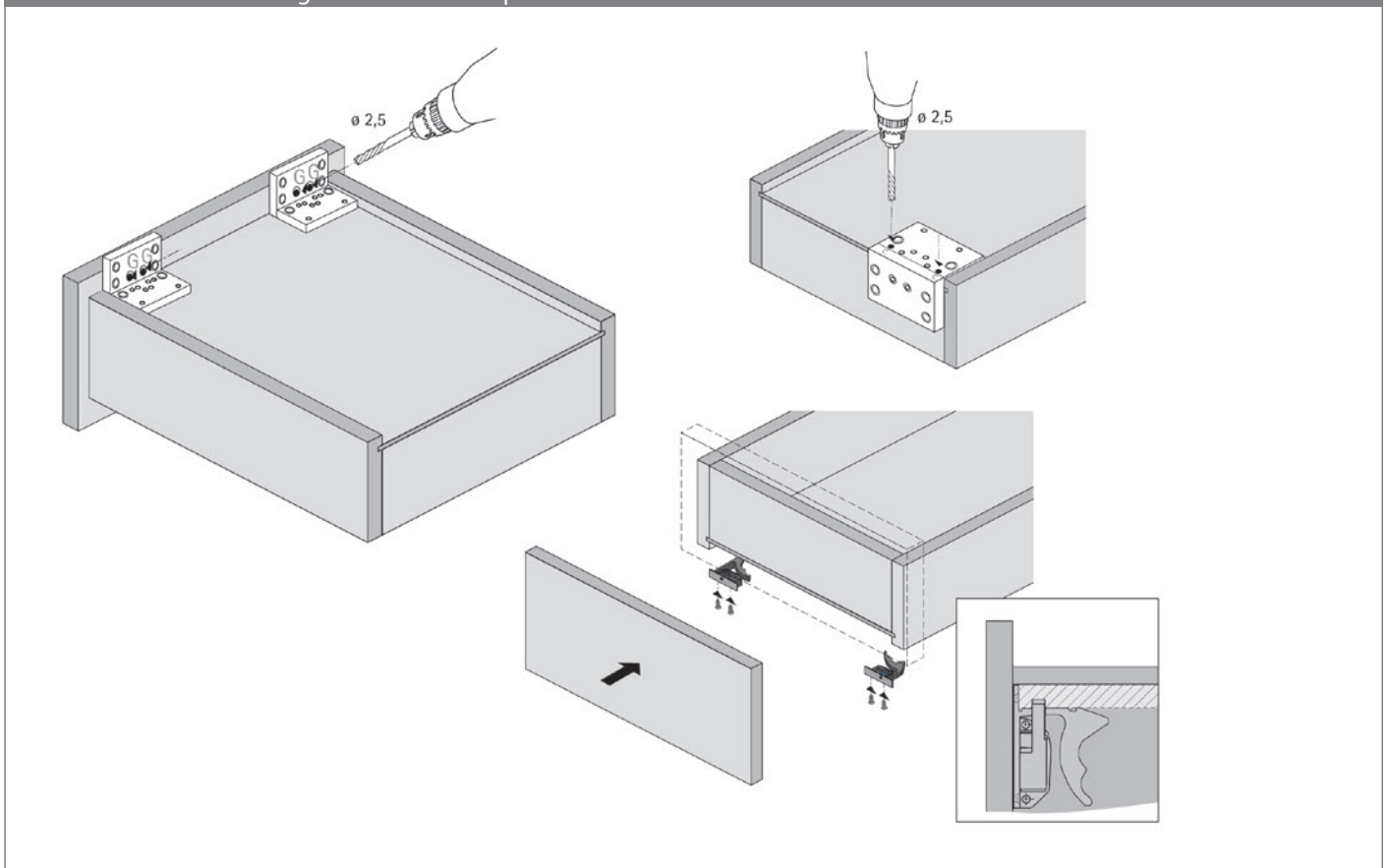
Quadro EB 20

- ▶ For drilling the holes for the C hook on Quadro runners for wooden drawers
- ▶ Positions
 - catches for wooden drawers and pull-out shelves
 - C hook for attaching runner to the rear panel
 - rear plug
 - front panel drilling
 - rear tilt adjuster

- ▶ Aluminium with hardened drill bushes made of steel
- ▶ Please order twist drill accessories separately

Article	Order no.	PU
1 BlueJig Quadro EB 20 Start	9 084 515	1 ea.
2 BlueJig Quadro EB 20	0 044 777	1 ea.

Wooden drawers with grooved bottom panel



Knock in tools

► AvanTech YOU drawer front connector

Knock in tool for AvanTech YOU drawer front connector



► For knocking in the AvanTech YOU drawer front connector

Design	Order no.	PU
Drawer side profile height 77 mm	9 257 316	1 ea.
Drawer side profile height 101 / 139 mm	9 257 314	1 ea.
Drawer side profile height 187 / 251 mm	9 257 315	1 ea.
Drawer side profile height 187 mm, Inlay	9 257 317	1 ea.
H251 centring element	9 254 995	1 ea.

Order number index

Order no.	Page	Order no.	Page
0 000 351	36	9 106 116	20
0 013 392	39	9 106 117	20
0 013 841	33	9 106 120	20
0 014 825	35	9 106 121	20
0 014 826	35	9 125 451	20
0 020 165	47	9 131 483	20
0 020 266	18	9 131 487	47
0 020 687	47	9 131 488	47
0 020 688	47	9 131 491	47
0 020 689	47	9 131 492	47
0 020 695	47	9 131 497	21
0 022 617	35	9 131 505	11, 15
0 023 680	33, 35	9 131 507	12, 16
0 040 675	17	9 132 099	14
0 040 676	17	9 132 100	12, 16
0 044 764	33	9 156 786	14
0 044 765	33	9 180 604	19
0 044 767	33	9 206 112	10
0 044 777	54	9 206 114	10
0 045 150	48	9 207 524	49
0 045 555	29	9 216 143	12
0 051 502	19	9 219 328	40
0 053 817	20	9 219 678	25
0 053 818	20	9 219 689	25
0 053 819	20	9 254 995	55
0 053 820	20	9 254 997	41
0 053 949	20	9 257 314	55
0 053 950	20	9 257 315	55
0 053 951	20	9 257 316	55
0 053 952	20	9 257 317	55
0 061 268	19	9 257 318	40
0 061 285	19	9 257 320	39
0 070 032	19	9 257 321	41
0 070 033	20	9 257 322	41
0 070 263	33	9 257 323	42
0 070 265	33	9 257 324	42
0 070 266	33	9 257 325	53
0 070 267	33	9 257 326	53
0 070 268	34	9 257 327	34
0 070 269	34	9 257 331	43
0 072 144	20	9 257 813	53
0 072 146	19	9 275 330	26
0 072 152	19	9 277 500	25
0 073 788	35	9 283 054	10, 11, 15
0 078 091	29	9 285 182	26
0 078 093	39	9 288 979	21
0 078 095	34	9 298 425	43
0 078 096	34	9 300 517	26
0 078 097	44		
0 079 004	34		
0 079 005	34		
9 019 743	29		
9 084 515	54		
9 090 888	50		
9 106 101	20		
9 106 102	20		
9 106 103	20		
9 106 104	20		
9 106 107	20		
9 106 113	20		

Technical information / Legal Notice

General technical conditions

The fitting instructions, screw fixing points and load capacity information provided in this catalogue assume proper attachment using screws specified by Hettich to a chipboard panel providing a screw pull out resistance of at least 1,000 N in accordance with EN 320.

Hettich accepts no responsibility for the load capacity of furniture and its components if other materials or other fastening methods are used; the furniture manufacturer must verify the load capacity.

The fitting situations shown in this catalogue are only intended to illustrate the possible options.

The furniture manufacturer is responsible for ensuring that furniture is designed in compliance with standards, in particular with regard to meeting the requirements on safety.

We will be pleased to provide any further information you may require.

General Terms of Sale and Delivery

All products and services will be provided exclusively on the basis of our General Terms and Conditions of Sale and Delivery that are published on our website at www.hettich-agb.com or which we will be pleased to send to you if you so request. We shall not acknowledge any of the supplier's terms and conditions that are contrary to or deviate from our General Terms and Conditions of Sale and Delivery.

Legal notice

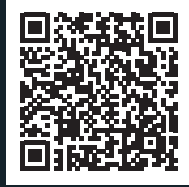
© Hettich Marketing- und Vertriebs GmbH & Co. KG

Gerhard-Lüking-Str. 10
32602 Vlotho · Germany

July 2023

We reserve all rights to this catalogue under copyright law. It shall not be permissible to duplicate this catalogue in any form either in whole or in part without our written consent. Subject to technical alterations. Errors and omissions excepted. Subject to colour variations.

Order no. 9 226 051



Technik für Möbel

