

**Lek**



**LIFETIME  
WARRANTY**

**DTC** MAGIC-PRO  
Global Quality Benchmark  
**Slimline Drawer System**



SLIMLINE | EASY INSTALLATION | LIFETIME WARRANTY



**LIFETIME  
WARRANTY**

**Magic-Pro is a perfect mix of function, elegance & fashionable statement.**

Remarkably versatile, flexible and boundless: Magic-Pro, the straight sided drawer system features a slim and elegant drawer side design.

Its multitude of design makes every kitchen, bathroom and bedroom interior unique. With a choice of three colours, glass sides in white, push to open and five different drawer side heights: 62mm/88mm/126mm/172mm/238mm, endless design options can be produced.

Magic-Pro's slim design creates more storage space, features 3 dimensional adjustments left & right, up & down and tilt adjustment. It allows for tool free assembly and removal of drawer front. The highly stable drawer construction ensures stable and smooth motion with soft closing for wide and high drawers.

For strength and durability this system comes in both 40kg and 60kg load capacity. All drawers are covered with a 100K cycles durability test and Lifetime Warranty.

The straight lines design, the minimal 13mm thickness, the well-crafted components and finishes, defines the nature of this sleek and elegant drawer. This Straight sided Drawer System will no doubt leave a lasting impression.

# CONTENT

## Soft Close Drawers

Soft Close Standard Drawers	6
Soft Close Inner Drawers	16

## Soft Close Glass Drawers

Soft Close Glass Drawers	28
Soft Close Inner Glass Drawers	32

## Push Open Drawers

Push Open Drawers	44
Push Open Inner Drawers	52

## Assembly and Adjustments 62

## Marking Jigs 68

## Accessories 70

## References 72



# Soft Close Drawers

**Concealed Full Extension**

**Tool Free Assembly** and removal of drawer

**Silent System** guarantees smooth run without noise

**Dynamic Load Capacity** 40kg/60kg

**3D Adjustment**



# Super Low Drawer

N Height - 62.5mm

Concealed Full Extension

Load Capacity: 40kg

Finish: Silk White

**3D Adjustment:**

Up & down adjustment: ±1mm

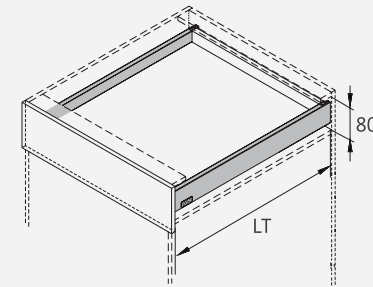
Left & right adjustment: ±1mm

Tilt adjustment: + 1.5, -2.5mm



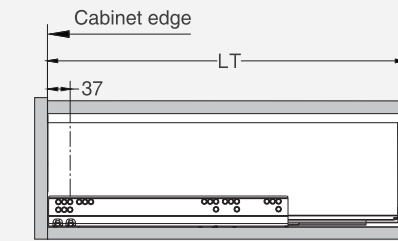
## SPACE REQUIREMENT

LT = Internal Cabinet Depth  
LT = NL + 3



## PLANNING

NL - Nominal Slide Length  
LT - Internal Cabinet Depth LT=NL+3  
Soft close slides/LT=NL+3



Standard drawer

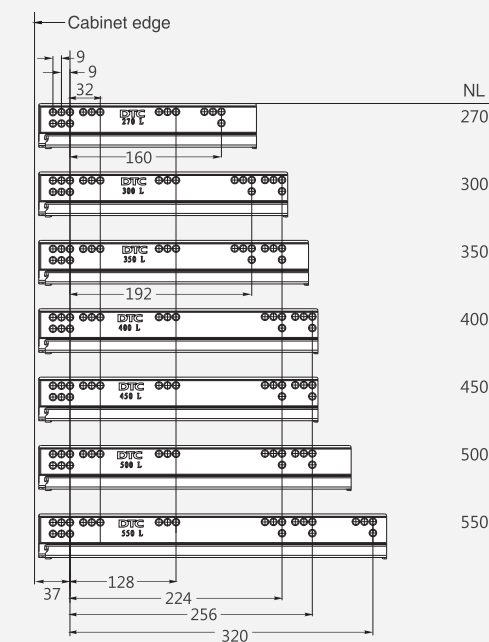
## CABINET WIDTHS (MM)

300, 350, 400, 450, 500, 600,  
800, 900, 1100, 1200

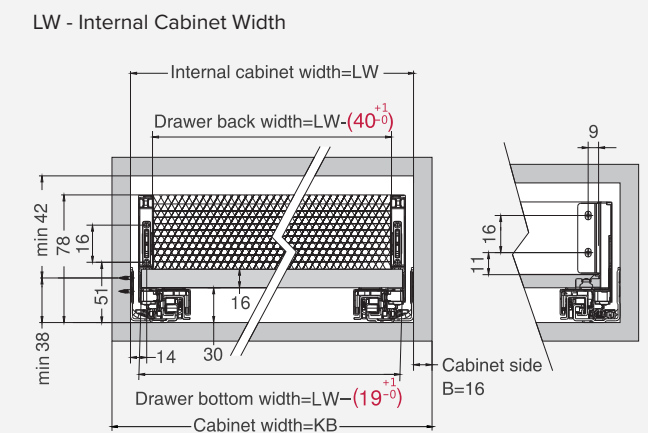
## 1 SOFT CLOSE DRAWER KIT

DEPTH, MM	SILK WHITE
400	DM1-062400
450	DM1-062450
500	DM1-062500

## SCREW POSITIONS (MM)

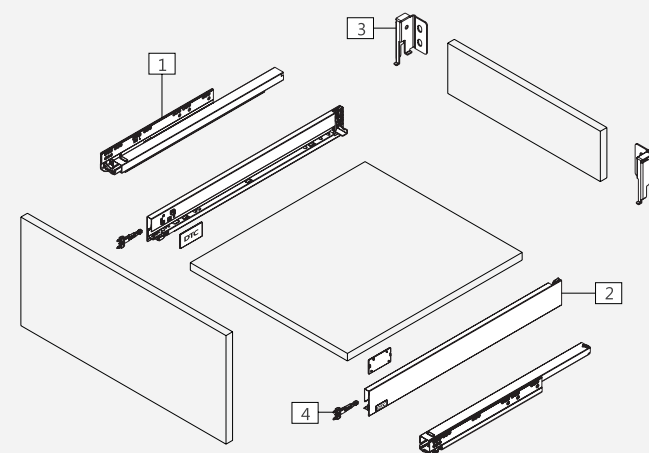


## INSTALLATION DIMENSIONS (MM)

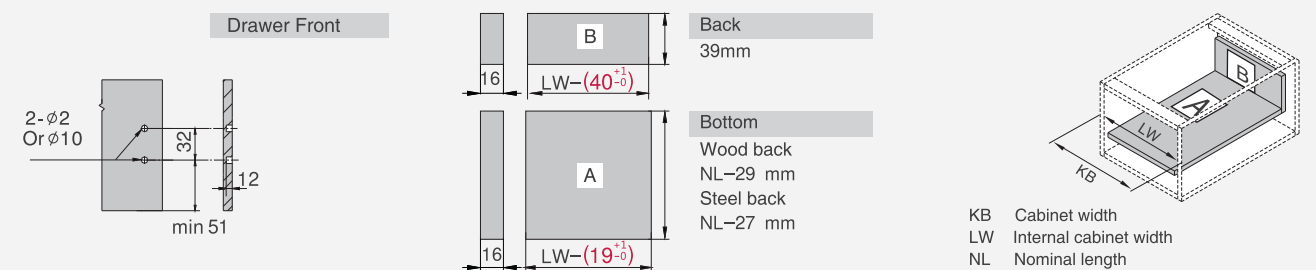


## 2 KIT CONTENT

- 1 1 set **Soft Closing Slides** (left / right)
- 2 1 set **Drawer Sides** (left / right)
- 3 1 set **Back Fixing Brackets** (left / right)
- 4 1 set **Front Fixing Brackets** (left / right)



## DRAWER FRONT, BACK AND BOTTOM DIMENSIONS (MM)





# Low Drawer

M Height - 88mm

Concealed Full Extension

Load Capacity: 40kg

Finish: Silk White, Grey Matt or Black

**3D Adjustment:**

Up & down adjustment: ±2mm

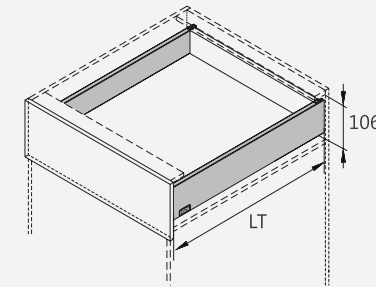
Left & right adjustment: ±1.5mm

Tilt adjustment: + 1.5, -2.5mm



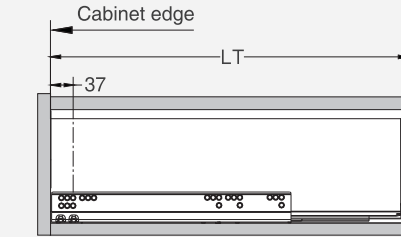
## SPACE REQUIREMENT

LT = Internal Cabinet Depth  
LT = NL + 3



## PLANNING

NL - Nominal Slide Length  
LT - Internal Cabinet Depth LT=NL+3  
Soft close slides/LT=NL+3



Standard drawer

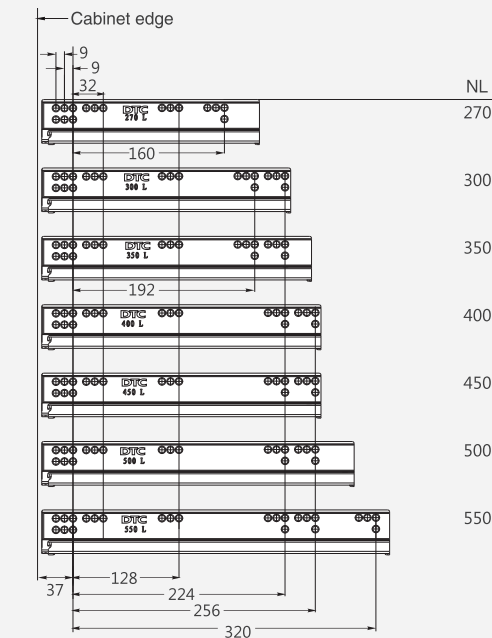
## CABINET WIDTHS (MM)

300, 350, 400, 450, 500, 600,  
800, 900, 1100, 1200

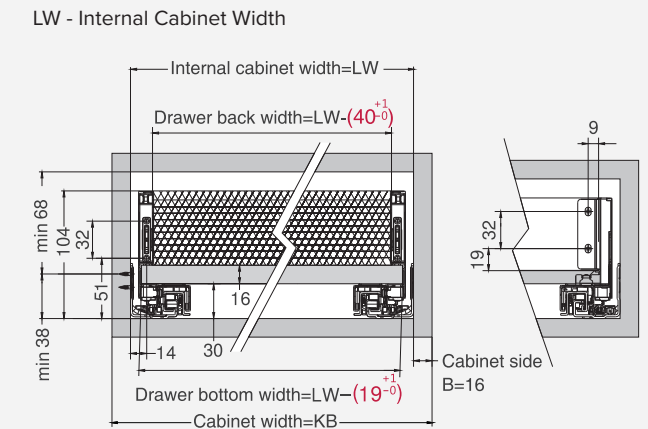
## 1 SOFT CLOSE DRAWER KIT

DEPTH, MM	SILK WHITE	GREY MATT	BLACK
270	DM1-088270	DM2-088270	DM5-088270
350	DM1-088350	DM2-088350	DM5-088350
400	DM1-088400	DM2-088400	DM5-088400
450	DM1-088450	DM2-088450	DM5-088450
500	DM1-088500	DM2-088500	DM5-088500
550	DM1-088550	DM2-088550	DM5-088550

## SCREW POSITIONS (MM)

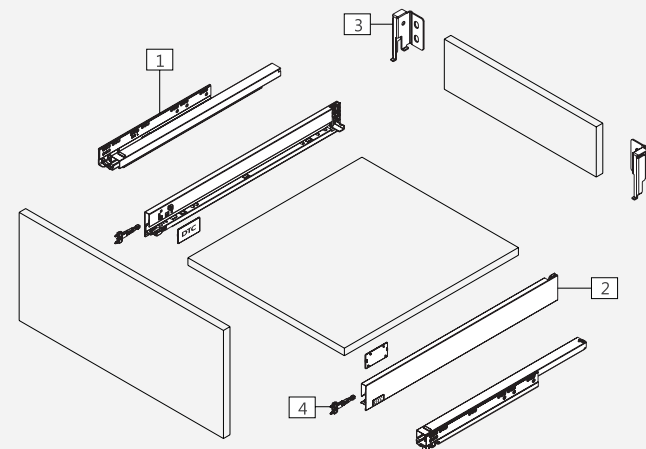


## INSTALLATION DIMENSIONS (MM)

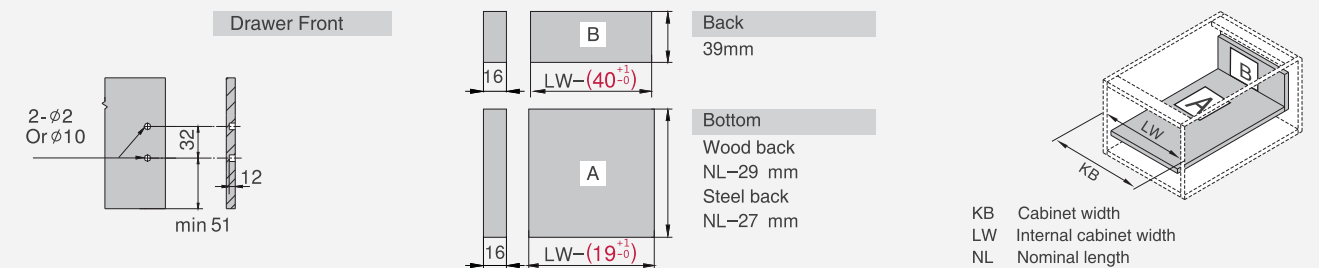


## 2 KIT CONTENT

- 1 1 set **Soft Closing Slides** (left / right)
- 2 1 set **Drawer Sides and Cover Caps** (left / right)
- 3 1 set **Back Fixing Brackets** (left / right)
- 4 1 set **Front Fixing Brackets** (left / right)



## DRAWER FRONT, BACK AND BOTTOM DIMENSIONS (MM)



# Medium Drawer

**K Height - 126mm**

**Concealed Full Extension**

**Load Capacity:** 40kg

**Finish:** Silk White, Grey Matt or Black

**3D Adjustment:**

Up & down adjustment: ±2mm

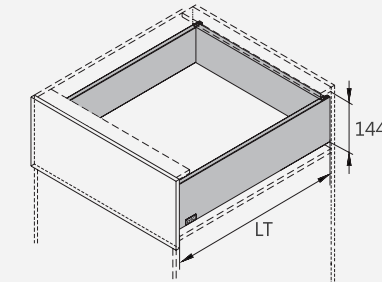
Left & right adjustment: ±1.5mm

Tilt adjustment: + 1.5, -2.5mm



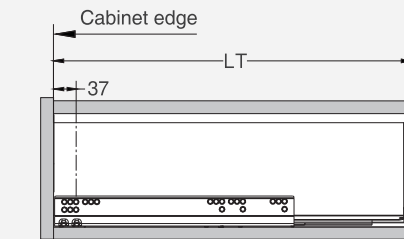
## SPACE REQUIREMENT

LT = Internal Cabinet Depth  
LT = NL + 3



## PLANNING

NL - Nominal Slide Length  
LT - Internal Cabinet Depth LT=NL+3  
Soft close slides/LT=NL+3



Standard drawer

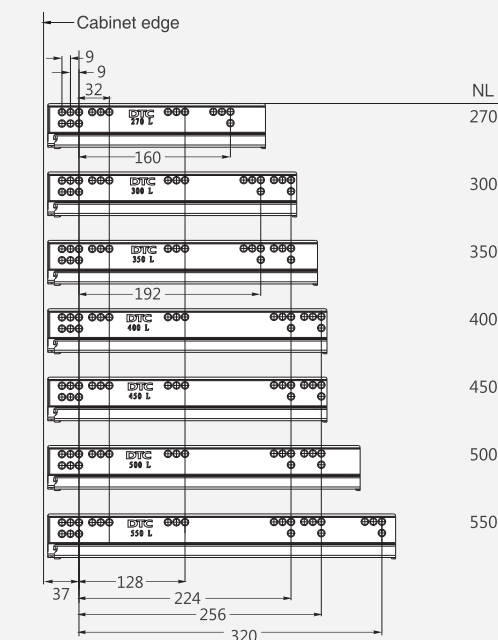
## CABINET WIDTHS (MM)

300, 350, 400, 450, 500, 600,  
800, 900, 1100, 1200

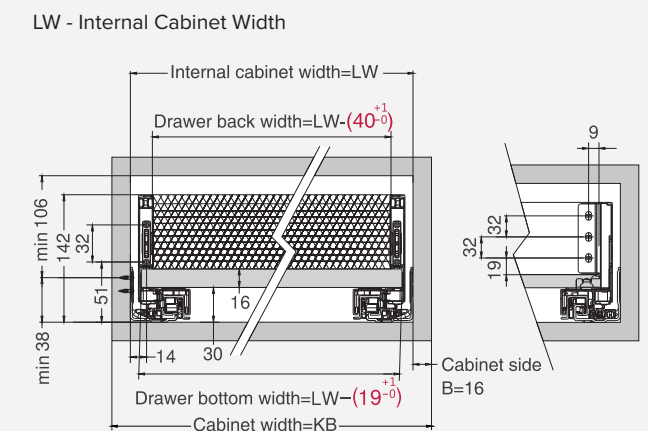
## 1 SOFT CLOSE DRAWER KIT

DEPTH, MM	SILK WHITE	GREY MATT	BLACK
270	DM1-126270	DM2-126270	DM5-126270
350	DM1-126350	DM2-126350	DM5-126350
400	DM1-126400	DM2-126400	DM5-126400
450	DM1-126450	DM2-126450	DM5-126450
500	DM1-126500	DM2-126500	DM5-126500
550	DM1-126550	DM2-126550	DM5-126550

## SCREW POSITIONS (MM)

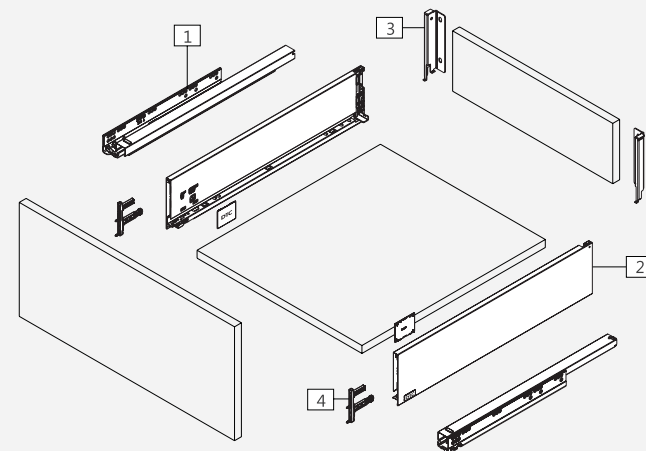


## INSTALLATION DIMENSIONS (MM)

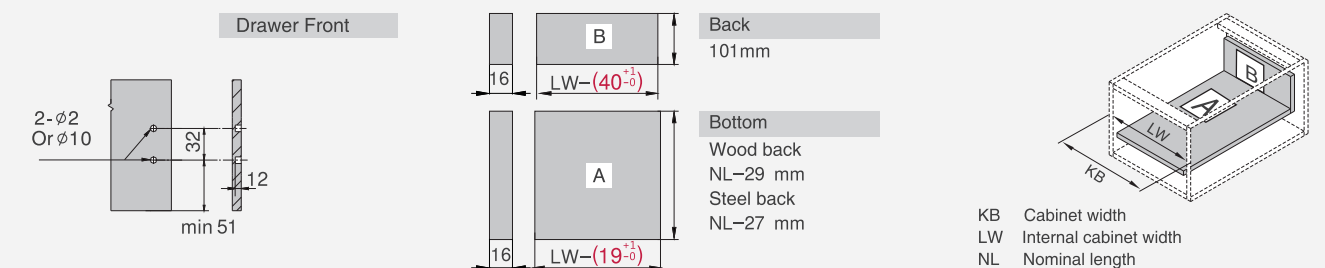


## 2 KIT CONTENT

- 1 1 set **Soft Closing Slides** (left / right)
- 2 1 set **Drawer Sides and Cover Caps** (left / right)
- 3 1 set **Back Fixing Brackets** (left / right)
- 4 1 set **Front Fixing Brackets** (left / right)

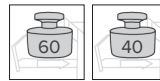


## DRAWER FRONT, BACK AND BOTTOM DIMENSIONS (MM)



# High Drawer

## C Height - 172mm



**Concealed Full Extension**

**Load Capacity:** 40kg or 60kg

**Finish:** Silk White, Grey Matt or Black

**3D Adjustment:**

Up & down adjustment: ±2mm

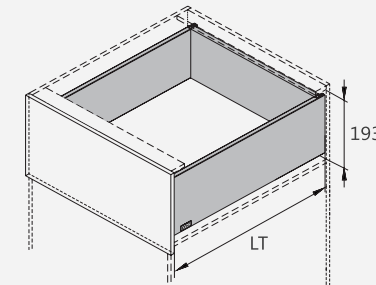
Left & right adjustment: ±1.5mm

Tilt adjustment: + 1.5, -2.5mm



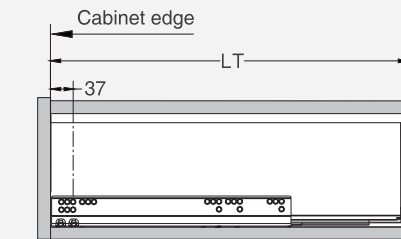
### SPACE REQUIREMENT

LT = Internal Cabinet Depth  
LT = NL + 3



### PLANNING

NL - Nominal Slide Length  
LT - Internal Cabinet Depth LT=NL+3  
Soft close slides/LT=NL+3



Standard drawer

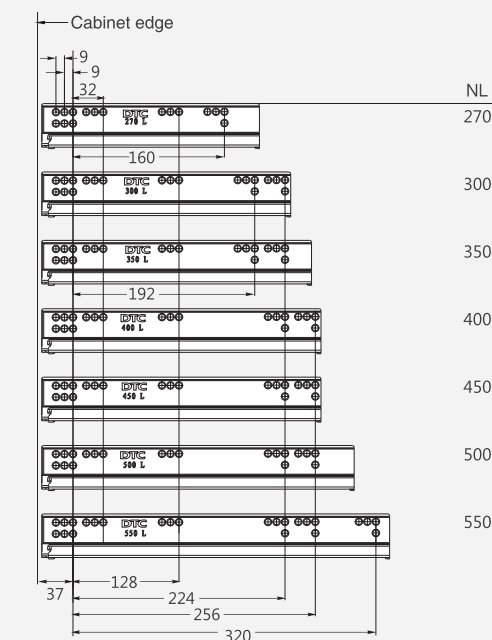
### CABINET WIDTHS (MM)

300, 350, 400, 450, 500, 600,  
800, 900, 1100, 1200

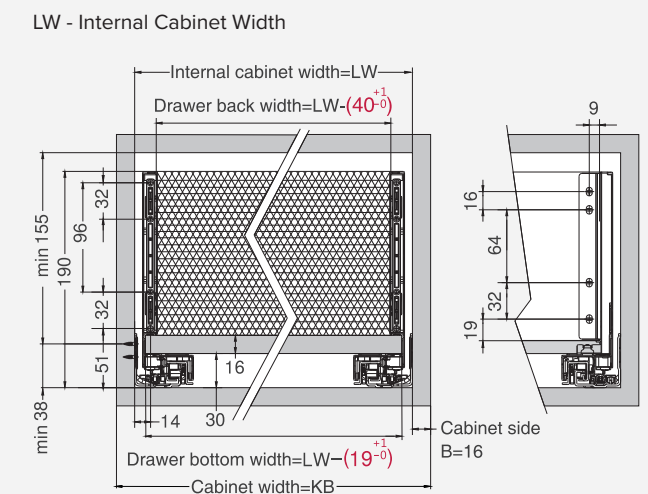
## 1 SOFT CLOSE DRAWER KIT

DEPTH, MM	SILK WHITE	GREY MATT	BLACK
LOADING: 40KG			
270	DM1-126270	DM2-126270	DM5-126270
350	DM1-126350	DM2-126350	DM5-126350
400	DM1-126400	DM2-126400	DM5-126400
450	DM1-126450	DM2-126450	DM5-126450
500	DM1-126500	DM2-126500	DM5-126500
550	DM1-126550	DM2-126550	DM5-126550
LOADING: 60KG			
500	DM1-172500KG60	-	DM5-172500KG60
550	DM1-172550KG60	-	DM5-172550KG60

## SCREW POSITIONS (MM)

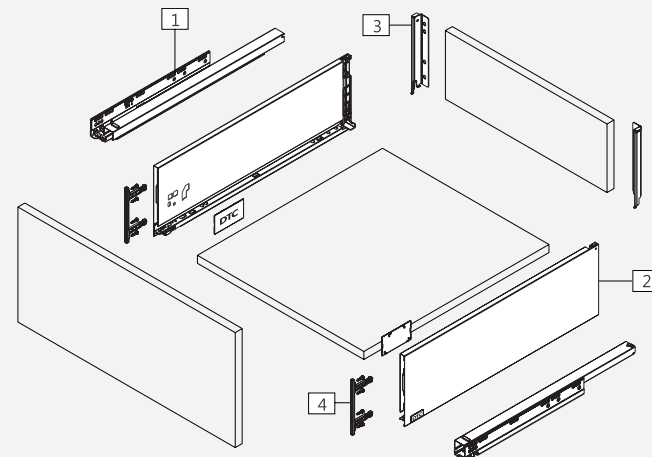


## INSTALLATION DIMENSIONS (MM)

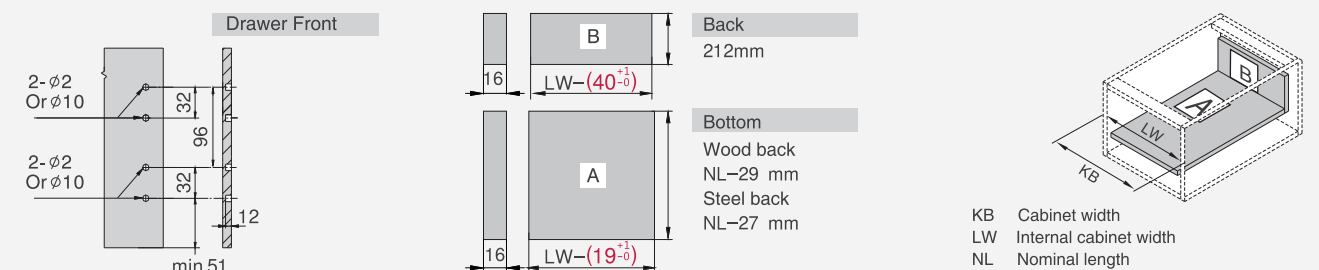


## 2 KIT CONTENT

- 1 set **Soft Closing Slides** (left / right)
- 1 set **Drawer Sides and Cover Caps** (left / right)
- 1 set **Back Fixing Brackets** (left / right)
- 1 set **Front Fixing Brackets** (left / right)



## DRAWER FRONT, BACK AND BOTTOM DIMENSIONS (MM)





# Super High Drawer

F Height - 238mm

Concealed Full Extension

Load Capacity: 40kg or 60kg

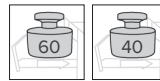
Finish: Silk White, Grey Matt or Black

3D Adjustment:

Up & down adjustment: ±2mm

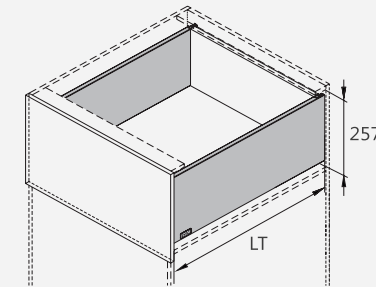
Left & right adjustment: ±1.5mm

Tilt adjustment: + 1.5, -2.5mm



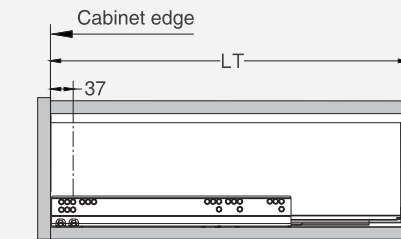
## SPACE REQUIREMENT

LT = Internal Cabinet Depth  
LT = NL + 3



## PLANNING

NL - Nominal Slide Length  
LT - Internal Cabinet Depth LT=NL+3  
Soft close slides/LT=NL+3



Standard drawer

## CABINET WIDTHS (MM)

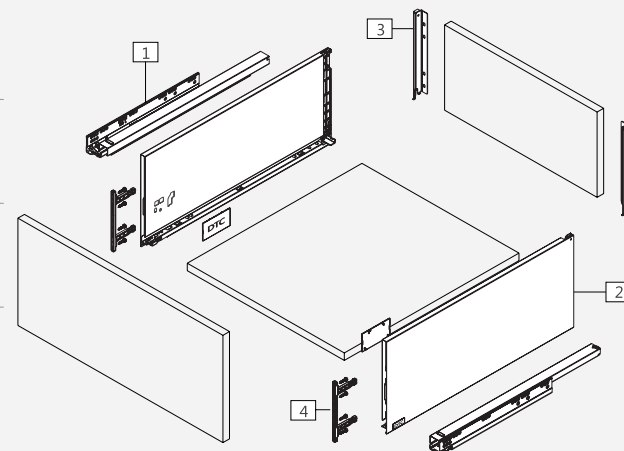
300, 350, 400, 450, 500, 600,  
800, 900, 1100, 1200

## 1 SOFT CLOSE DRAWER KIT

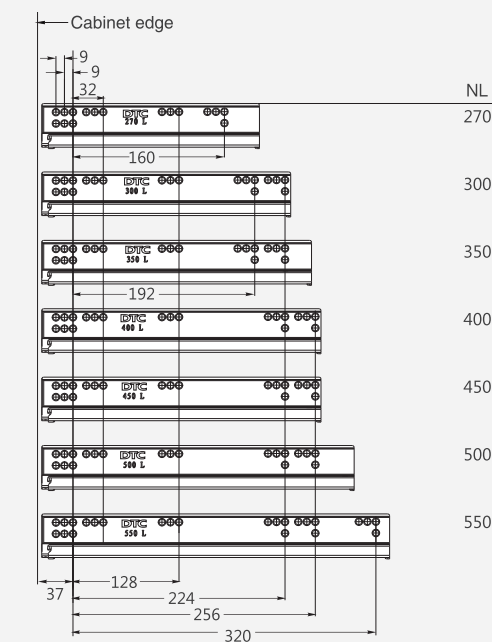
DEPTH, MM	SILK WHITE	GREY MATT	BLACK
LOADING: 40KG			
270	DM1-238270	DM2-238270	DM5-238270
350	DM1-238350	DM2-238350	DM5-238350
400	DM1-238400	DM2-238400	DM5-238400
450	DM1-238450	DM2-238450	DM5-238450
500	DM1-238500	DM2-238500	DM5-238500
550	DM1-238550	DM2-238550	DM5-238550
LOADING: 60KG			
500	DM1-238500KG60	-	DM5-238500KG60
550	DM1-238550KG60	-	DM5-238550KG60

## 2 KIT CONTENT

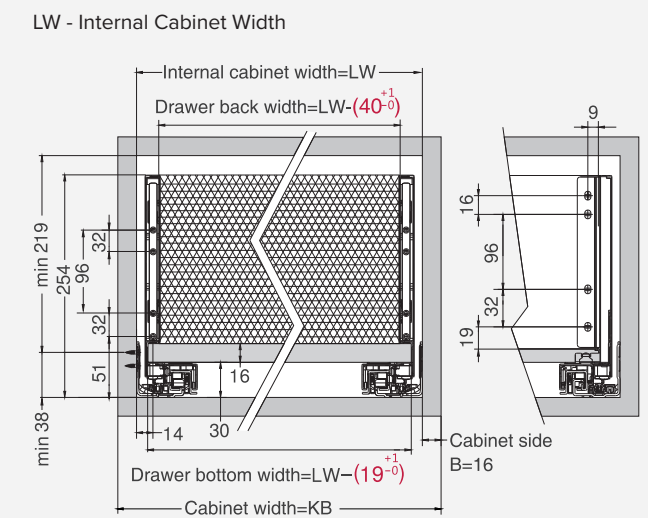
- 1 set **Soft Closing Slides** (left / right)
- 1 set **Drawer Sides and Cover Caps** (left / right)
- 1 set **Back Fixing Brackets** (left / right)
- 1 set **Front Fixing Brackets** (left / right)



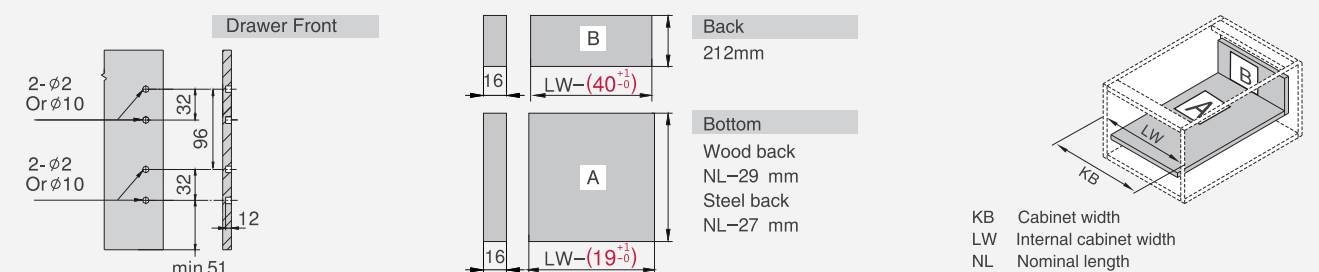
## SCREW POSITIONS (MM)



## INSTALLATION DIMENSIONS (MM)



## DRAWER FRONT, BACK AND BOTTOM DIMENSIONS (MM)



# Low Inner Drawer

M Height - 88mm

Concealed Full Extension

Load Capacity: 40kg

Finish: Silk White, Grey Matt or Black

**3D Adjustment:**

Up & down adjustment: ±2mm

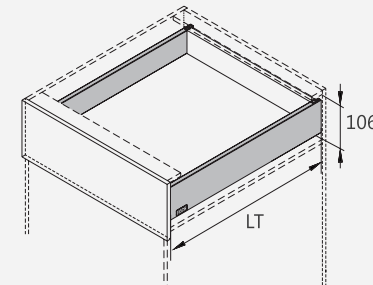
Left & right adjustment: ±1.5mm

Tilt adjustment: + 1.5, -2.5mm



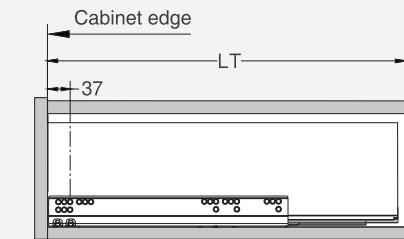
## SPACE REQUIREMENT

LT = Internal Cabinet Depth  
LT = NL + 3



## PLANNING

NL - Nominal Slide Length  
LT - Internal Cabinet Depth LT=NL+3  
Soft close slides/LT=NL+3



Standard drawer

## CABINET WIDTHS (MM)

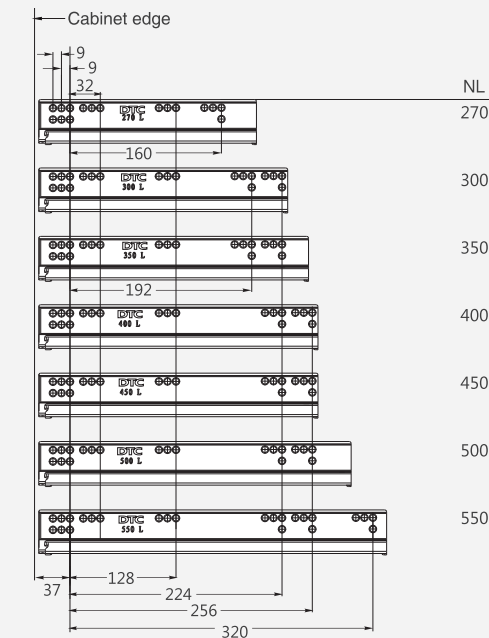
300, 350, 400, 450, 500, 600,  
800, 900, 1100, 1200

## 1 ADD-ON COMPONENTS ORDER

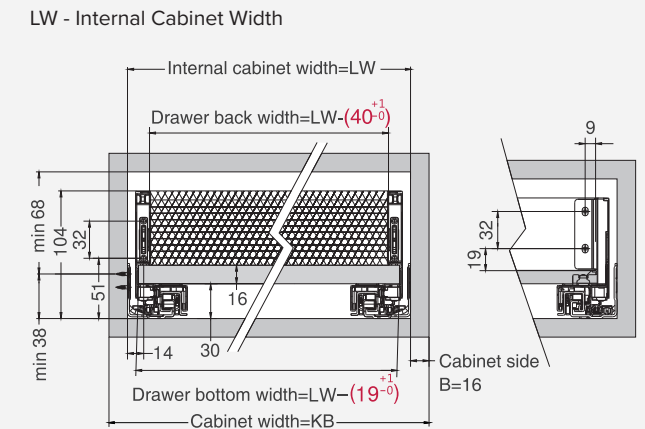
Order M Height Soft Close Drawer Kit (See page 8) + Front Panel Components to make the Inner Drawer

DESCRIPTION	SILK WHITE	GREY MATT	BLACK
Front Fixing Brackets	DM1-088IFXW	DM2-088IFXG	DM5-088IFXB
1100mm Front Panel	DM1-IP1100W	DM2-IP1100G	DM5-IP1100B

## SCREW POSITIONS (MM)



## INSTALLATION DIMENSIONS (MM)

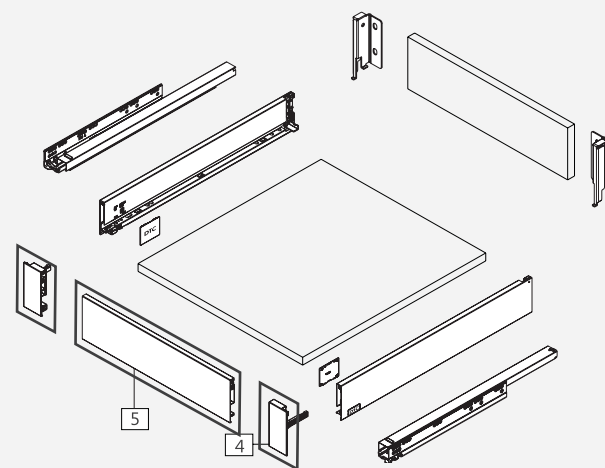


## 2 REQUIRED COMPONENTS TO MAKE INNER SYSTEM

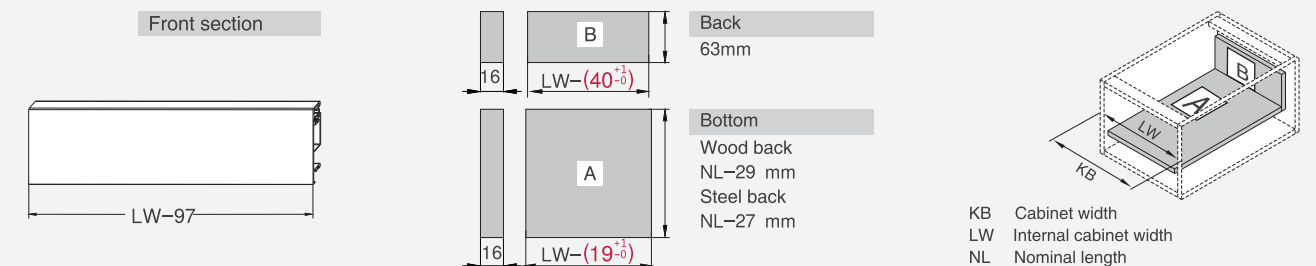
1 **M Height Drawer Kit**  
(Silk White / Grey Matt / Black)  
See page 8

4 1 set **Front Fixing Brackets** (left / right)  
Replace these brackets over kit version

5 1 pc **1100mm Front Panel**  
Cutting: Internal cabinet width LW-97mm



## DRAWER FRONT, BACK AND BOTTOM DIMENSIONS (MM)



# High Inner Drawer

C Height - 172mm

Concealed Full Extension

Load Capacity: 40kg or 60kg

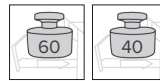
Finish: Silk White, Grey Matt or Black

3D Adjustment:

Up & down adjustment: ±2mm

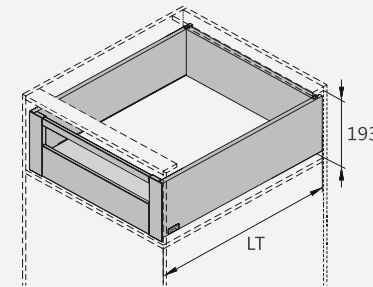
Left & right adjustment: ±1.5mm

Tilt adjustment: + 1.5, -2.5mm



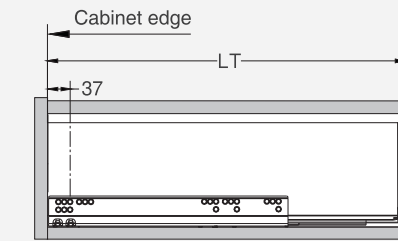
## SPACE REQUIREMENT

LT = Internal Cabinet Depth  
LT = NL + 3



## PLANNING

NL - Nominal Slide Length  
LT - Internal Cabinet Depth LT=NL+3  
Soft close slides/LT=NL+3



Standard drawer

## CABINET WIDTHS (MM)

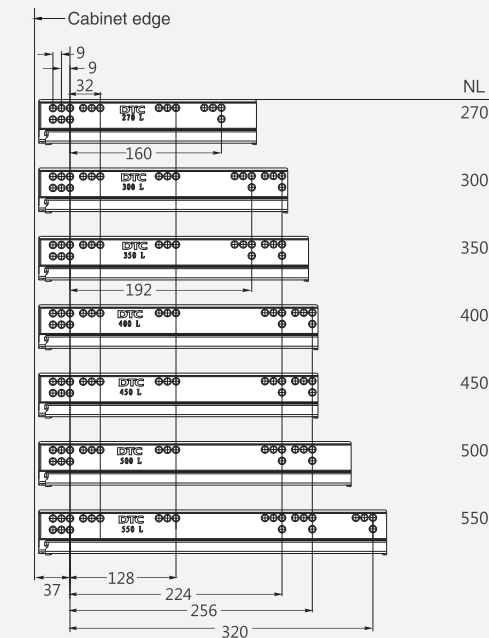
300, 350, 400, 450, 500, 600,  
800, 900, 1100, 1200

## 1 ADD-ON COMPONENTS ORDER

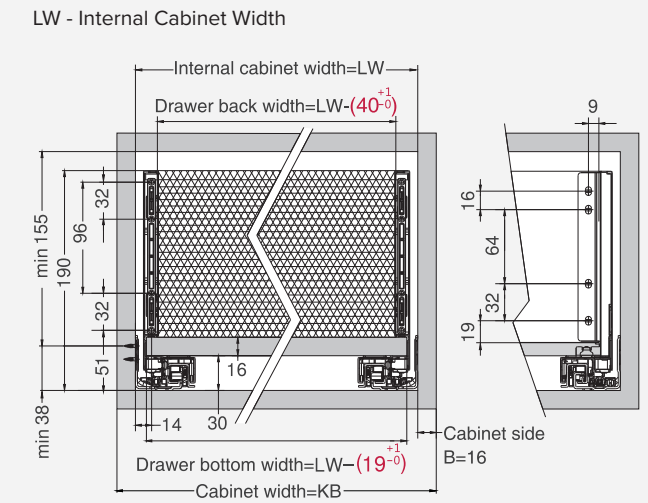
Order C Height Soft Close Drawer Kit (See page 12) +  
Front Panel Components to make the Inner Drawer

DESCRIPTION	SILK WHITE	GREY MATT	BLACK
Front Fixing Brackets	DM1-172IFXW	DM2-172IFXG	DM5-172IFXB
1100mm Front Panel	DM1-IP1100W	DM2-IP1100G	DM5-IP1100B
Square Cross Rail	DM1-SQRAILW	DM2-SQRAILG	DM5-SQRAILB

## SCREW POSITIONS (MM)



## INSTALLATION DIMENSIONS (MM)



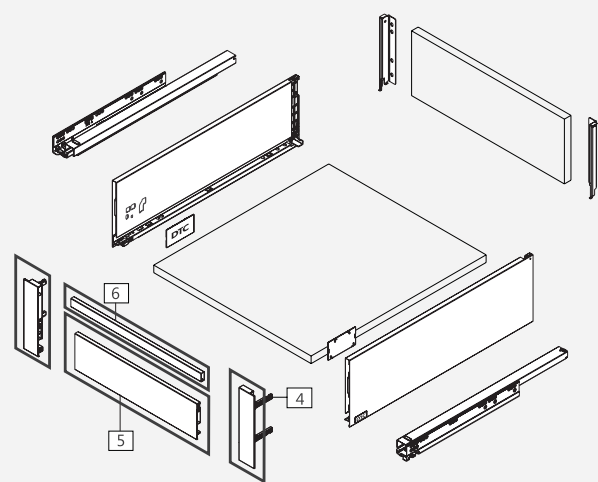
## 2 REQUIRED COMPONENTS TO MAKE INNER SYSTEM

1 **C Height Drawer Kit**  
(Silk White / Grey Matt / Black)  
See page 12

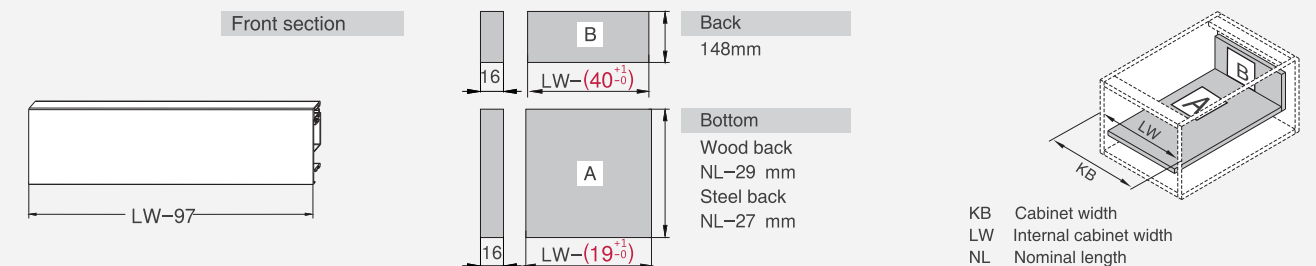
4 1 set **Front Fixing Brackets** (left / right)  
Replace these brackets over kit version

5 1 pc **1100mm Front Panel**  
Cutting: Internal cabinet width LW-97mm

6 1 pc **1100mm Square Cross Rail**  
Cutting: Internal cabinet width LW-72mm



## DRAWER FRONT, BACK AND BOTTOM DIMENSIONS (MM)





# Inner Glass Front Drawer

M Height - 88mm

Concealed Full Extension

Load Capacity: 40kg

Finish: Silk White, Grey Matt or Black

3D Adjustment:

Up & down adjustment: ±2mm

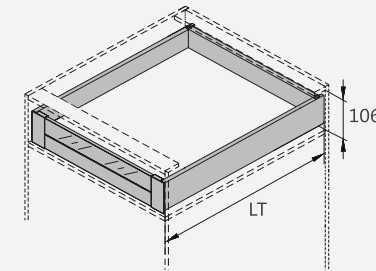
Left & right adjustment: ±1.5mm

Tilt adjustment: + 1.5, -2.5mm



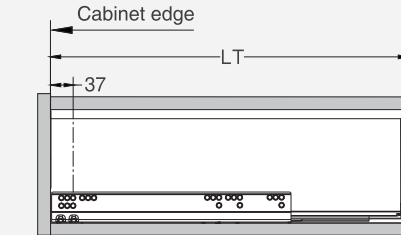
## SPACE REQUIREMENT

LT = Internal Cabinet Depth  
LT = NL + 3



## PLANNING

NL - Nominal Slide Length  
LT - Internal Cabinet Depth LT=NL+3  
Soft close slides/LT=NL+3



Standard drawer

## CABINET WIDTHS (MM)

400, 450, 500, 550, 600, 900

## 1 ADD-ON COMPONENTS ORDER

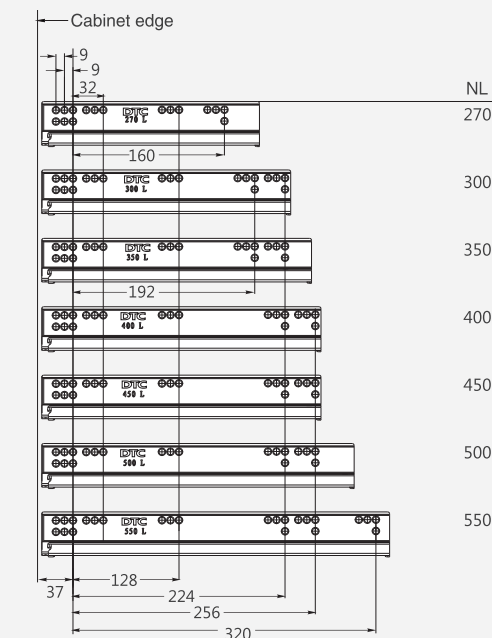
Order M Height Soft Close Drawer Kit (See page 8) + Front Panel Components to make the Inner Drawer

DESCRIPTION	SILK WHITE	GREY MATT	BLACK
1100mm Inner Drawer Front Panel	DM3-GIP1100W	DM3-GIP1100G	DM3-GIP1100B
46/88mm Front Fixing Brackets	DM3-WIFX088046	DM3-GIFX088046	DM3-BIFX088046

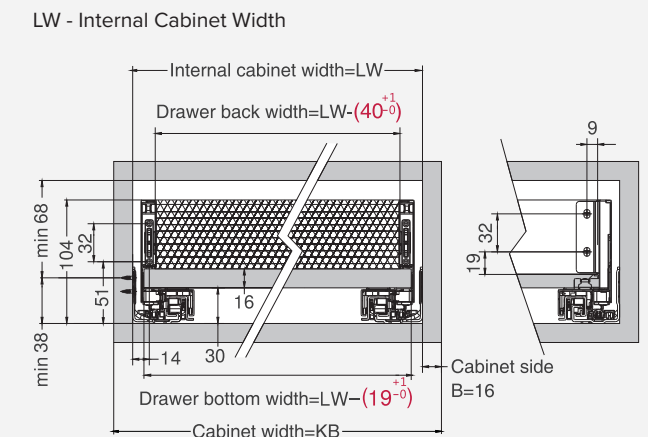
## REQUIRED ADD-ON

DRAWER FRONT WIDTH, MM	10MM GLASS FRONT (46MM)
400	DM3-IFG08846400
450	DM3-IFG08846450
500	DM3-IFG08846500
600	DM3-IFG08846600
900	DM3-IFG08846900

## SCREW POSITIONS (MM)



## INSTALLATION DIMENSIONS (MM)



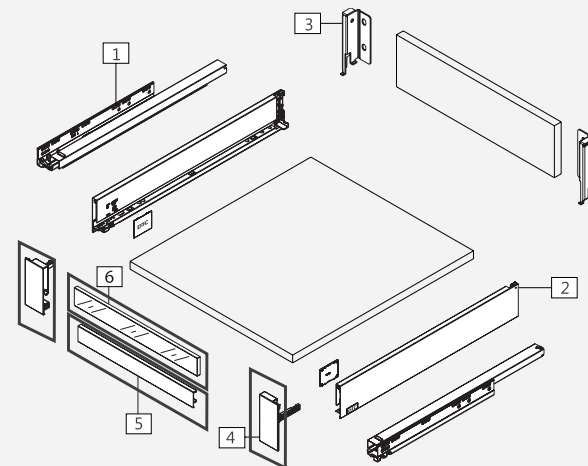
## 2 REQUIRED COMPONENTS TO MAKE INNER SYSTEM

1 **M Height Drawer Kit**  
(Silk White / Grey Matt / Black)  
See page 8

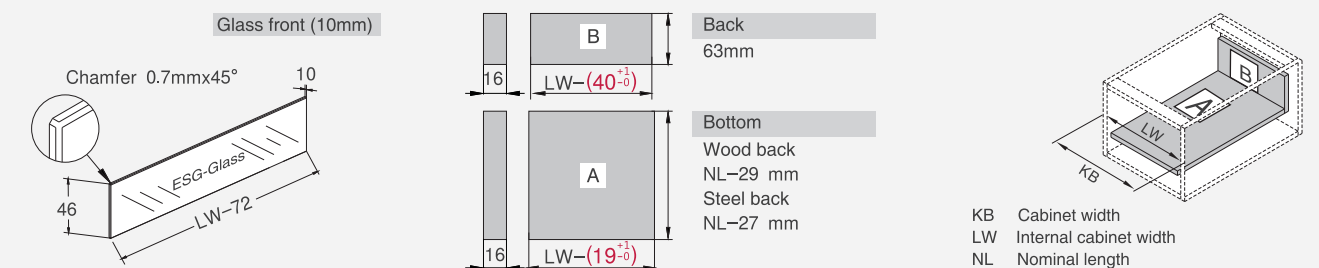
4 1 set **46/88mm Front Fixing Brackets**

5 1 pc **1100mm Inner Drawer Front Panel**

6 1 pc **10mm Inner Glass Front (46mm)**



## DRAWER FRONT, BACK AND BOTTOM DIMENSIONS (MM)



# Inner Low Glass Front Drawer

C Height - 172mm

Concealed Full Extension

Load Capacity: 40kg or 60kg

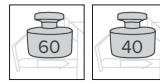
Finish: Silk White, Grey Matt or Black

3D Adjustment:

Up & down adjustment: ±2mm

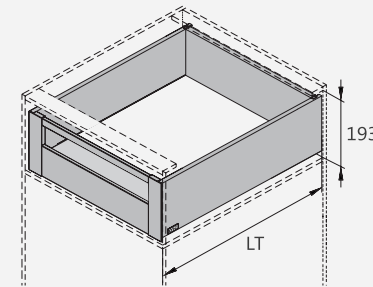
Left & right adjustment: ±1.5mm

Tilt adjustment: + 1.5, -2.5mm



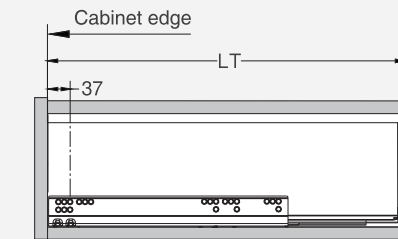
## SPACE REQUIREMENT

LT = Internal Cabinet Depth  
LT = NL + 3



## PLANNING

NL - Nominal Slide Length  
LT - Internal Cabinet Depth LT=NL+3  
Soft close slides/LT=NL+3



Standard drawer

## CABINET WIDTHS (MM)

400, 450, 500, 550, 600, 900

## 1 ADD-ON COMPONENTS ORDER

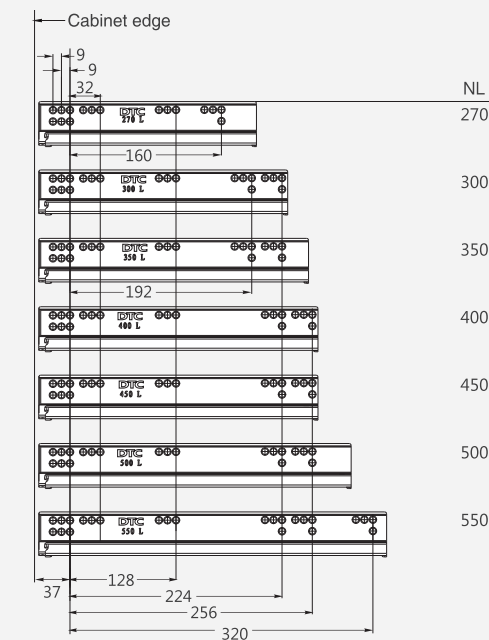
Order C Height Soft Close Drawer Kit (See page 12) + Front Panel Components to make the Inner Drawer

DESCRIPTION	SILK WHITE	GREY MATT	BLACK
1100mm Inner Drawer Front Panel	DM3-GIP1100W	DM3-GIP1100G	DM3-GIP1100B
46/172mm Front Fixing Brackets	DM3-WIFX172046	DM3-GIFX172046	DM3-BIFX172046

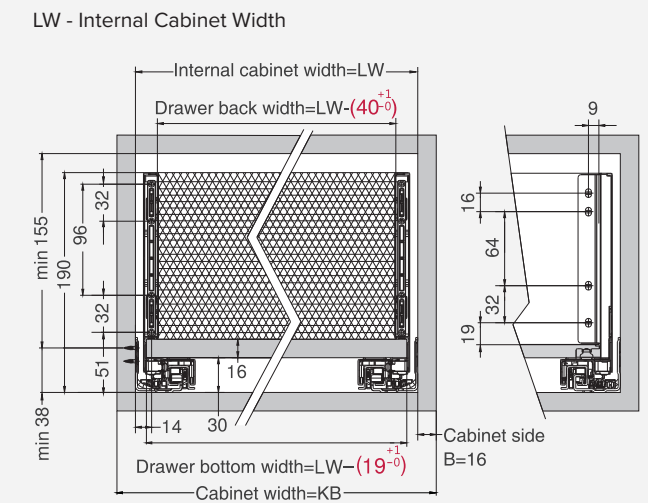
## REQUIRED ADD-ON

DRAWER FRONT WIDTH, MM	10MM GLASS FRONT (46MM)
400	DM3-IFG08846400
450	DM3-IFG08846450
500	DM3-IFG08846500
550	DM3-IFG08846550
600	DM3-IFG08846600
900	DM3-IFG08846900

## SCREW POSITIONS (MM)



## INSTALLATION DIMENSIONS (MM)



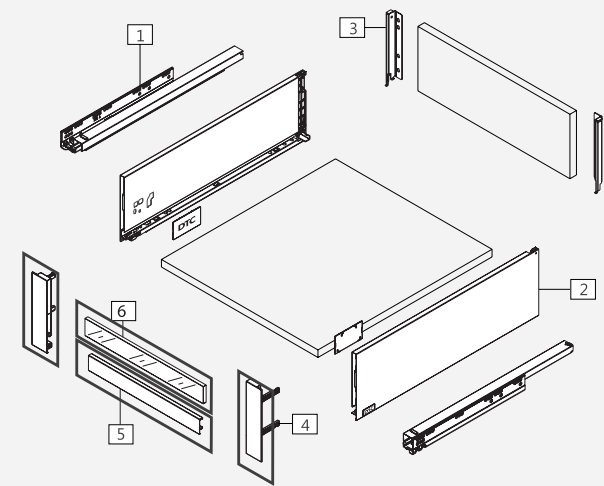
## 2 REQUIRED COMPONENTS TO MAKE INNER SYSTEM

1 **C Height Drawer Kit**  
(Silk White / Grey Matt / Black)  
See page 12

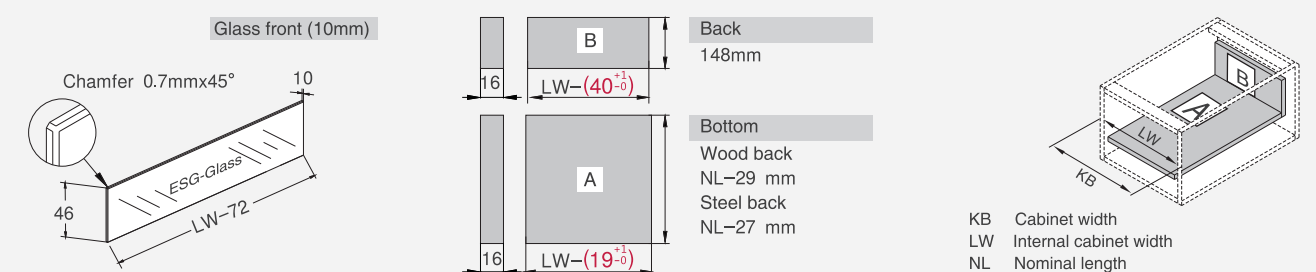
4 1 set **46/172mm Front Fixing Brackets**

5 1 pc **1100mm Inner Drawer Front Panel**

6 1 pc **10mm Inner Glass Front (46mm)**



## DRAWER FRONT, BACK AND BOTTOM DIMENSIONS (MM)





# Inner High Glass Front Drawer

C Height - 172mm

Concealed Full Extension

Load Capacity: 40kg or 60kg

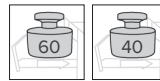
Finish: Silk White, Grey Matt or Black

3D Adjustment:

Up & down adjustment: ±2mm

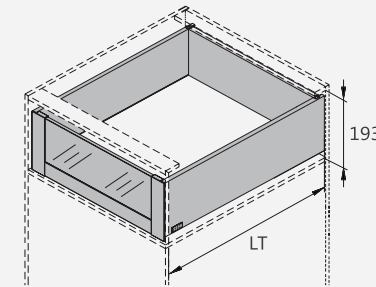
Left & right adjustment: ±1.5mm

Tilt adjustment: + 1.5, -2.5mm



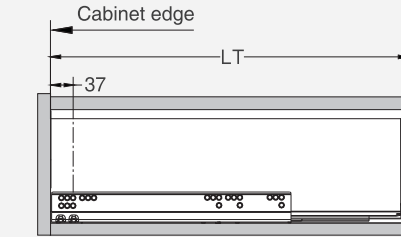
## SPACE REQUIREMENT

LT = Internal Cabinet Depth  
LT = NL + 3



## PLANNING

NL - Nominal Slide Length  
LT - Internal Cabinet Depth LT=NL+3  
Soft close slides/LT=NL+3



Standard drawer

## CABINET WIDTHS (MM)

400, 450, 500, 550, 600, 900

## 1 ADD-ON COMPONENTS ORDER

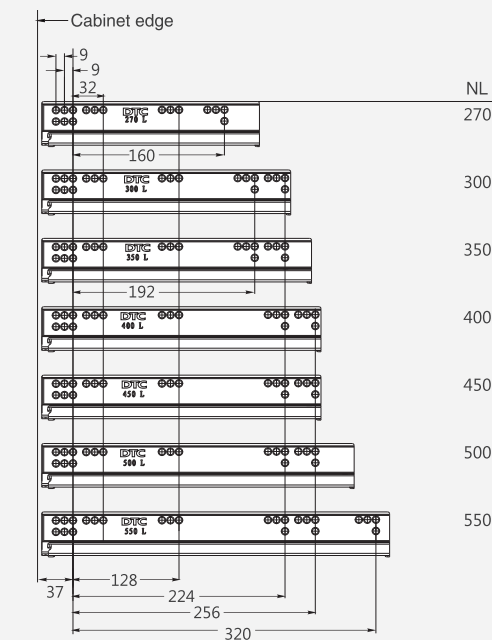
Order C Height Soft Close Drawer Kit (See page 12) + Front Panel Components to make the Inner Drawer

DESCRIPTION	SILK WHITE	GREY MATT	BLACK
1100mm Inner Drawer Front Panel	DM3-GIP1100W	DM3-GIP1100G	DM3-GIP1100B
132/172mm Front Fixing Brackets	DM3-WIFX172132	DM3-GIFX172132	DM3-BIFX172132

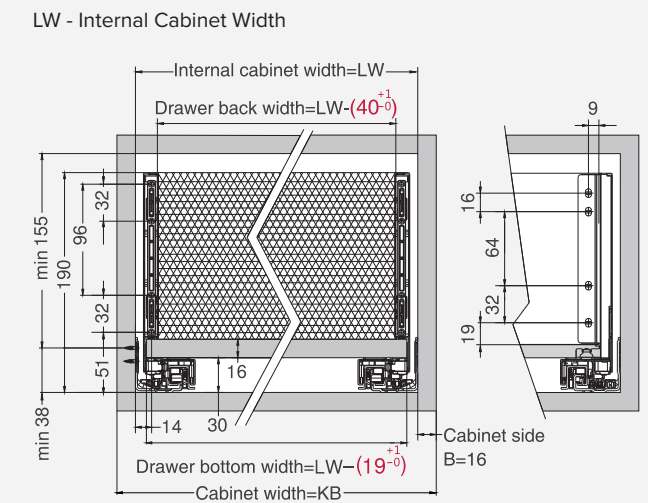
## REQUIRED ADD-ON

DRAWER FRONT WIDTH, MM	10MM GLASS FRONT (132MM)
400	DM3-IFG172132400
450	DM3-IFG172132450
500	DM3-IFG172132500
600	DM3-IFG172132600
900	DM3-IFG172132900

## SCREW POSITIONS (MM)



## INSTALLATION DIMENSIONS (MM)



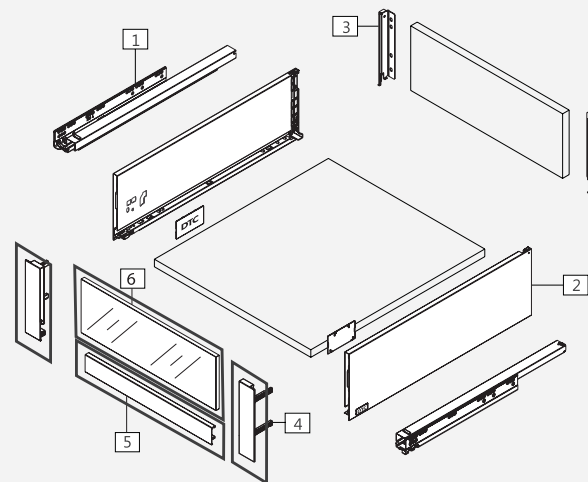
## 2 REQUIRED COMPONENTS TO MAKE INNER SYSTEM

1 **C Height Drawer Kit**  
(Silk White / Grey Matt / Black)  
See page 12

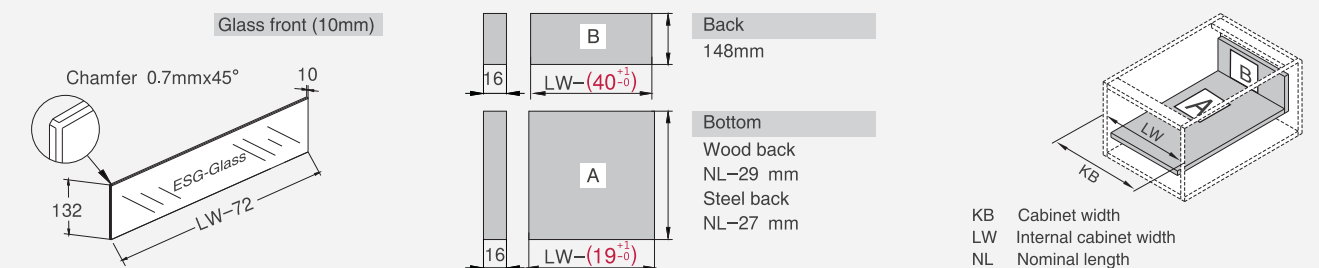
4 1 set **132/172mm Front Fixing Brackets**

5 1 pc **1100mm Inner Drawer Front Panel**

6 1 pc **10mm Inner Glass Front (132mm)**



## DRAWER FRONT, BACK AND BOTTOM DIMENSIONS (MM)







# Soft Close Glass Drawers

**Concealed Full Extension**

**Tool Free Assembly** and removal of drawer

**Silent System** guarantees smooth run without noise

**Load Capacity** 40kg

**3D Adjustment**

# Glass Drawer

## M Height - 88mm

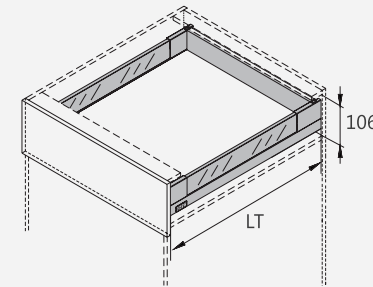
**Concealed Full Extension**  
**Load Capacity:** 40kg  
**Finish:** Silk White or Black  
**Glass Boxside:** 10mm

**3D Adjustment:**  
 Up & down adjustment: ±2mm  
 Left & right adjustment: ±1.5mm  
 Tilt adjustment: + 1.5, -2.5mm



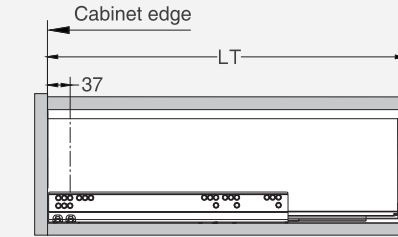
### SPACE REQUIREMENT

LT = Internal Cabinet Depth  
 LT = NL + 3



### PLANNING

NL - Nominal Slide Length  
 LT - Internal Cabinet Depth LT=NL+3  
 Soft close slides/LT=NL+3



Standard drawer

### CABINET WIDTHS (MM)

300, 350, 400, 450, 500, 600,  
 800, 900, 1100, 1200

### 1 SOFT CLOSE GLASS DRAWER KIT

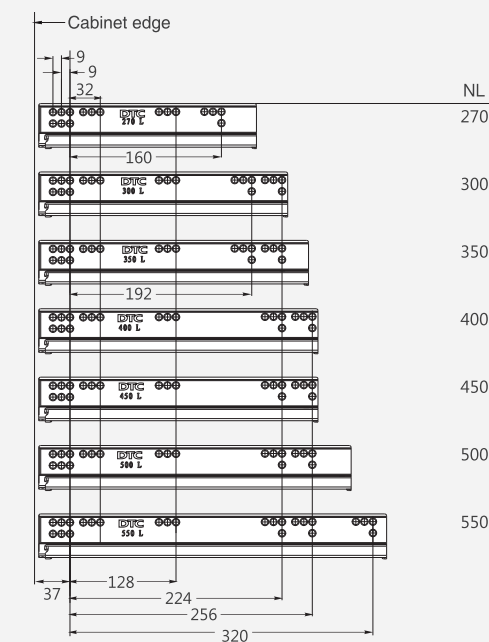
DEPTH, MM	SILK WHITE	BLACK
400	DM3-W088400	DM3-B088400
450	DM3-W088450	DM3-B088450
500	DM3-W088500	DM3-B088500

### REQUIRED ADD-ON

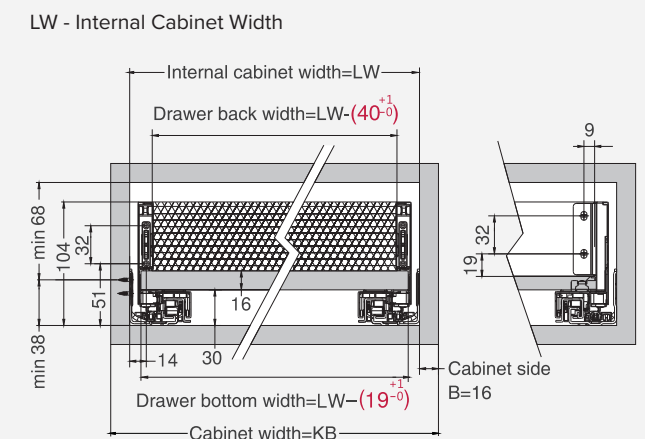
DEPTH, MM	GLASS BOXSIDE
400	DM3-SGB08854400
450	DM3-SGB08854450
500	DM3-SGB08854500

7  **10mm Glass Boxside**  
 (Left/Right)



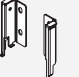


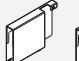
### SCREW POSITIONS (MM)

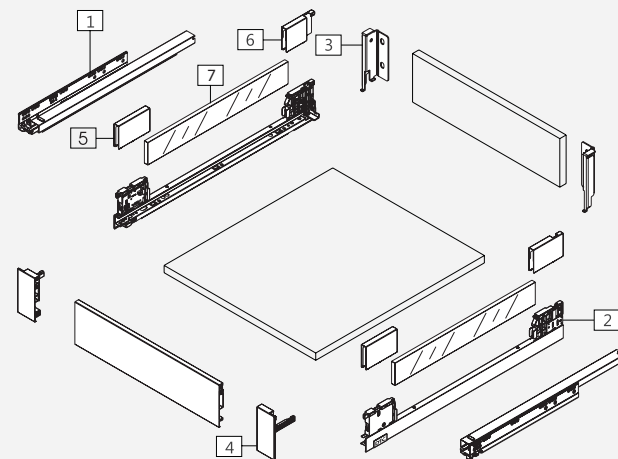


### INSTALLATION DIMENSIONS (MM)



### 2 KIT CONTENT

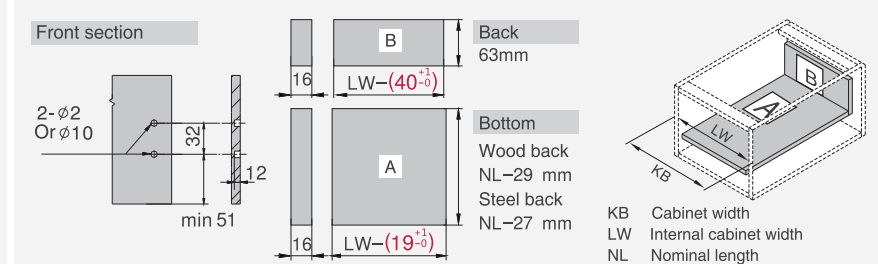
- 1  1 set **Soft Closing Slides**  
(left / right)
- 2  1 set **Drawer Sides and Cover Caps**  
(left / right)
- 3  1 set **Back Fixing Brackets**  
(left / right)
- 4  1 set **Front Fixing Brackets**  
(left / right)
- 5  1 set **Front Adapters**  
(left / right)
- 6  1 set **Rear Adapters**  
(left / right)



### GLASS SIDE DIMENSIONS (MM)



### DRAWER FRONT, BACK AND BOTTOM DIMENSIONS (MM)



# Glass Drawer

## C Height - 172mm

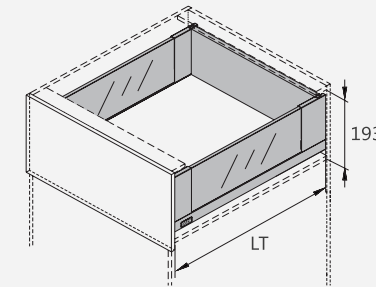
**Concealed Full Extension**  
**Load Capacity:** 40kg  
**Finish:** Silk White or Black  
**Glass Boxside:** 10mm

**3D Adjustment:**  
 Up & down adjustment: ±2mm  
 Left & right adjustment: ±1.5mm  
 Tilt adjustment: + 1.5, -2.5mm



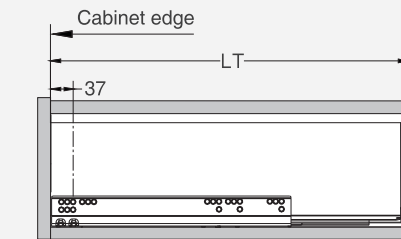
### SPACE REQUIREMENT

LT = Internal Cabinet Depth  
 LT = NL + 3



### PLANNING

NL - Nominal Slide Length  
 LT - Internal Cabinet Depth LT=NL+3  
 Soft close slides/LT=NL+3



Standard drawer

### CABINET WIDTHS (MM)

300, 350, 400, 450, 500, 600,  
 800, 900, 1100, 1200

## 1 SOFT CLOSE GLASS DRAWER KIT

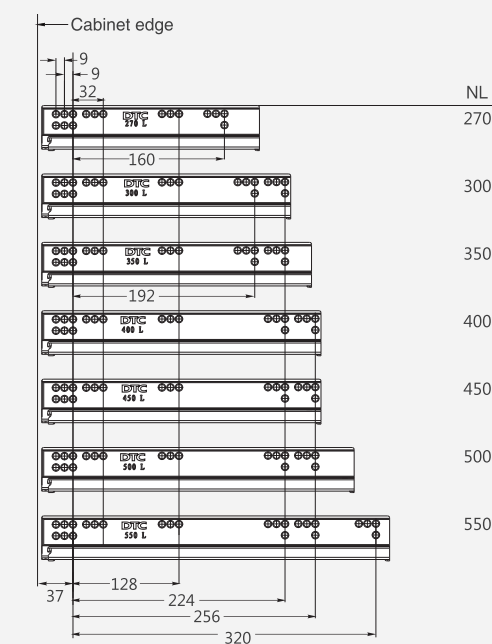
DEPTH, MM	SILK WHITE	BLACK
400	DM3-W172400	DM3-B172400
450	DM3-W172450	DM3-B172450
500	DM3-W172500	DM3-B172500

## REQUIRED ADD-ON

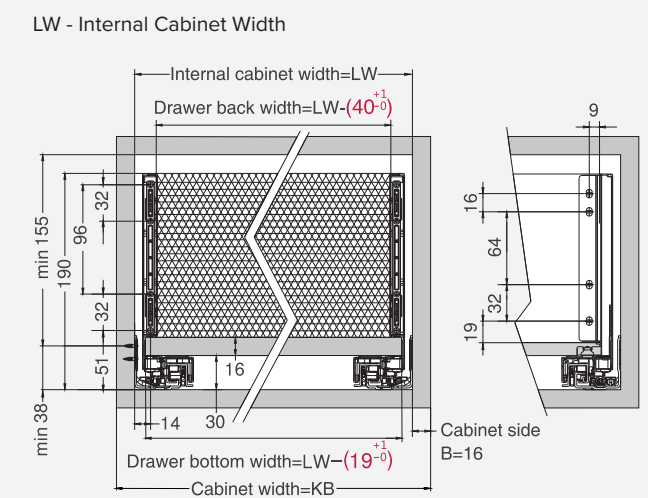
DEPTH, MM	GLASS BOXSIDE
400	DM3-SGB172140400
450	DM3-SGB172140450
500	DM3-SGB172140500

7  **10mm Glass Boxside**  
 (Left/Right)





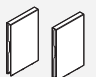
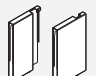
## SCREW POSITIONS (MM)

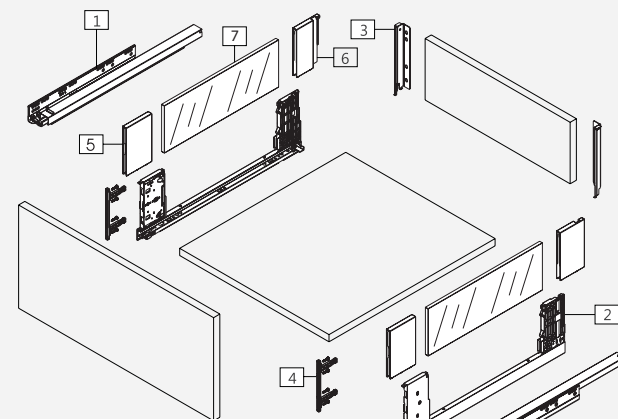


## INSTALLATION DIMENSIONS (MM)



## 2 KIT CONTENT

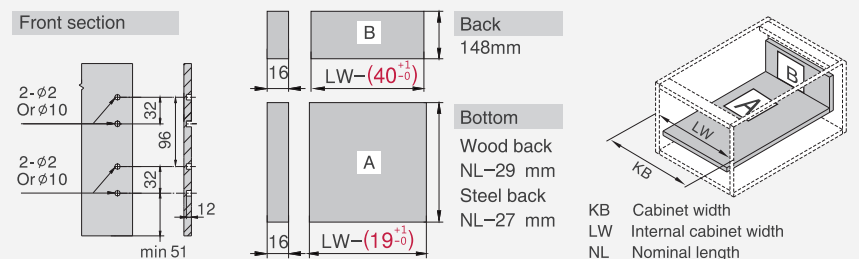
- 1  1 set **Soft Closing Slides**  
(left / right)
- 2  1 set **Drawer Sides and Cover Caps**  
(left / right)
- 3  1 set **Back Fixing Brackets**  
(left / right)
- 4  1 set **Front Fixing Brackets**  
(left / right)
- 5  1 set **Front Adapters**  
(left / right)
- 6  1 set **Rear Adapters**  
(left / right)



## GLASS SIDE DIMENSIONS (MM)



## DRAWER FRONT, BACK AND BOTTOM DIMENSIONS (MM)





# Inner Glass Drawer

**M Height - 88mm**

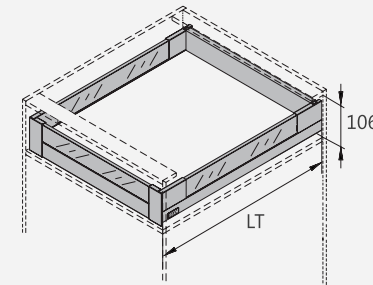
**Concealed Full Extension**  
**Load Capacity:** 40kg  
**Finish:** Silk White or Black  
**Glass Boxside:** 10mm

**3D Adjustment:**  
 Up & down adjustment: ±2mm  
 Left & right adjustment: ±1.5mm  
 Tilt adjustment: + 1.5, -2.5mm



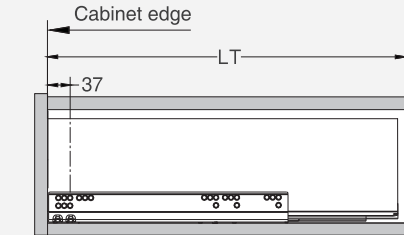
## SPACE REQUIREMENT

LT = Internal Cabinet Depth  
 LT = NL + 3



## PLANNING

NL - Nominal Slide Length  
 LT - Internal Cabinet Depth LT=NL+3  
 Soft close slides/LT=NL+3



Standard drawer

## CABINET WIDTHS (MM)

400, 450, 500, 550, 600, 900

## 1 ADD-ON COMPONENTS ORDER

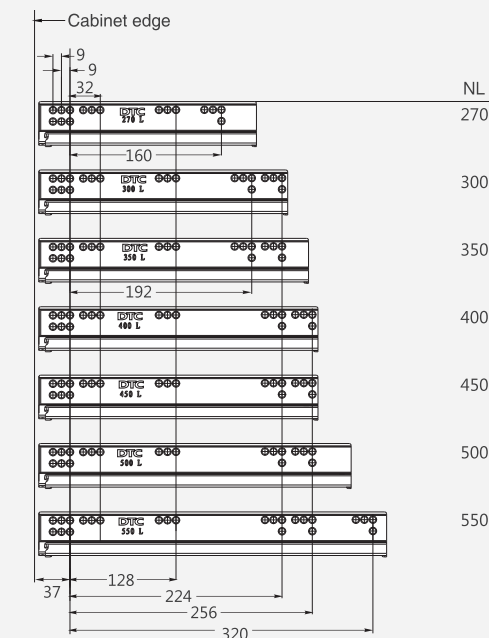
Order M Height Glass Drawer Kit and Glass Boxside (See page 28) + Front Panel Components to make the Inner Drawer

DESCRIPTION	SILK WHITE	BLACK
Front Fixing Brackets	DM1-088IFXW	DM5-088IFXB
1100mm Front Panel	DM1-IP1100W	DM5-IP1100B

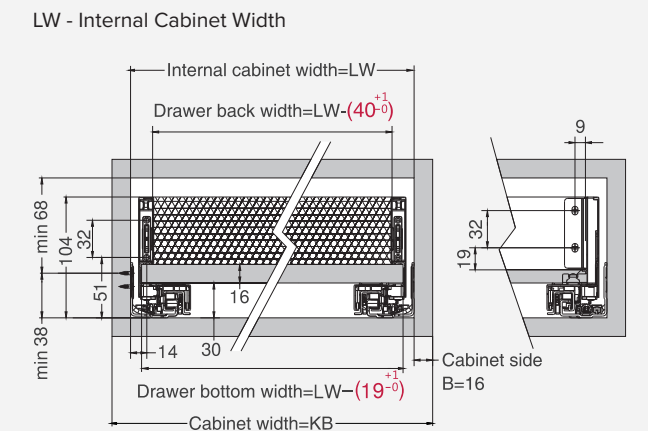
## REQUIRED ADD-ON

DRAWER FRONT WIDTH, MM	10MM GLASS FRONT (46MM)
400	DM3-IFG08846400
450	DM3-IFG08846450
500	DM3-IFG08846500
600	DM3-IFG08846600
900	DM3-IFG08846900

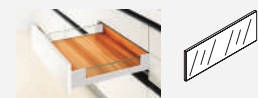
## SCREW POSITIONS (MM)



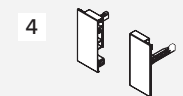
## INSTALLATION DIMENSIONS (MM)



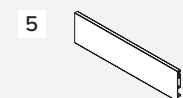
## 2 REQUIRED COMPONENTS TO MAKE INNER SYSTEM



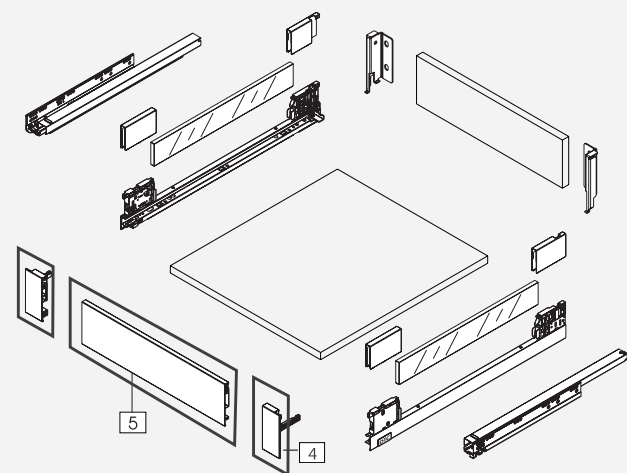
**M Height Glass Drawer Kit**  
 (Silk White / Black) +  
**10mm Glass Boxside**  
 (Left/Right)  
 See page 28



**4** 1 set **Front Fixing Brackets**  
 (left / right)  
 Replace these brackets over kit version



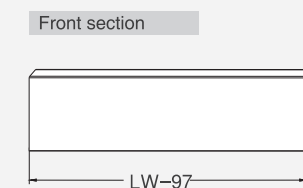
**5** 1 pc **1100mm Front Panel**  
 Cutting: Internal cabinet width LW-97mm



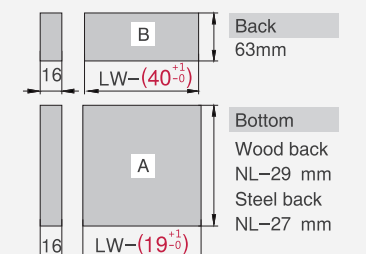
## GLASS SIDE DIMENSIONS



## GLASS FRONT DIMENSIONS



## BACK, BOTTOM DIMENSIONS



# Inner Glass Drawer

**C Height - 172mm**

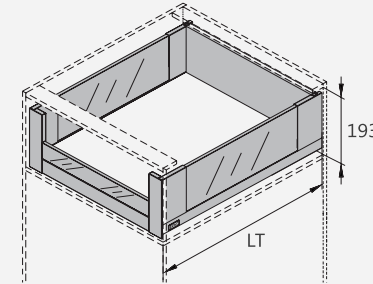
**Concealed Full Extension**  
**Load Capacity:** 40kg  
**Finish:** Silk White or Black  
**Glass Boxside:** 10mm

**3D Adjustment:**  
 Up & down adjustment: ±2mm  
 Left & right adjustment: ±1.5mm  
 Tilt adjustment: + 1.5, -2.5mm



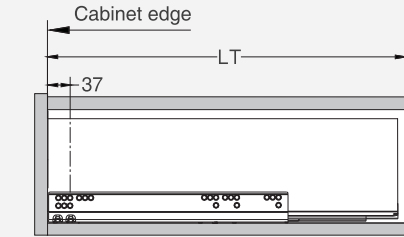
## SPACE REQUIREMENT

LT = Internal Cabinet Depth  
 LT = NL + 3



## PLANNING

NL - Nominal Slide Length  
 LT - Internal Cabinet Depth LT=NL+3  
 Soft close slides/LT=NL+3



Standard drawer

## CABINET WIDTHS (MM)

400, 450, 500, 550, 600, 900

## 1 ADD-ON COMPONENTS ORDER

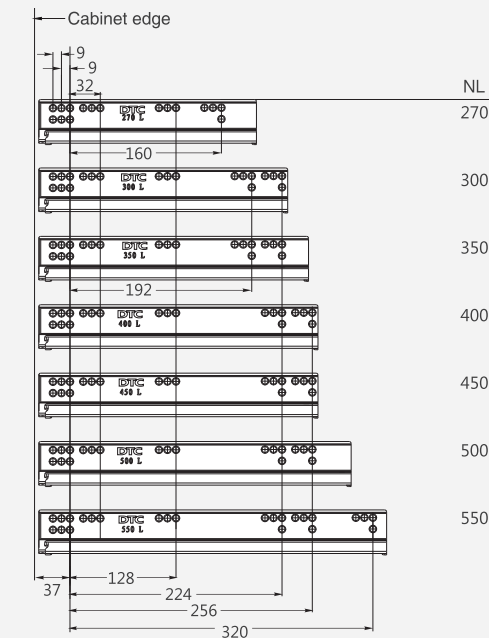
Order C Height Glass Drawer Kit and Glass Boxside (See page 30) + Front Panel Components to make the Inner Drawer

DESCRIPTION	SILK WHITE	BLACK
Front Fixing Brackets	DM1-172IFXW	DM5-172IFXB
1100mm Front Panel	DM1-IP1100W	DM5-IP1100B
1100mm Square Cross Rail	DM1-SQRAILW	DM5-SQRAILB

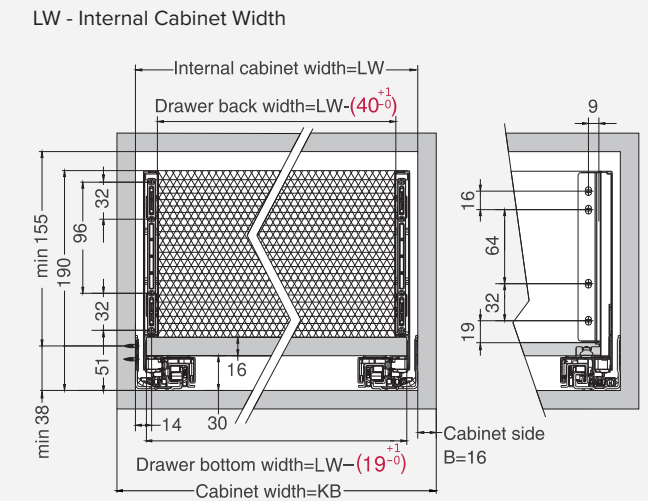
## REQUIRED ADD-ON

DRAWER FRONT WIDTH, MM	10MM GLASS FRONT (46MM)
400	DM3-IFG08846400
450	DM3-IFG08846450
500	DM3-IFG08846500
600	DM3-IFG08846600
900	DM3-IFG08846900

## SCREW POSITIONS (MM)

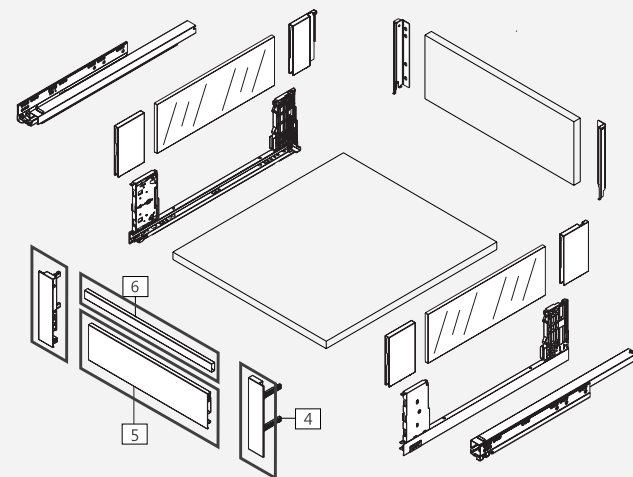


## INSTALLATION DIMENSIONS (MM)



## 2 REQUIRED COMPONENTS TO MAKE INNER SYSTEM

**C Height Glass Drawer Kit**  
 (Silk White / Black) +  
**10mm Glass Boxside**  
 (Left/Right)  
 See page 30

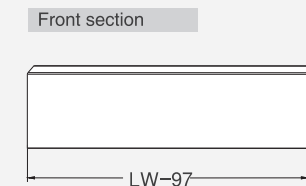


- 4** 1 set **Front Fixing Brackets**  
(left / right)  
Replace these brackets over kit version
- 5** 1 pc **1100mm Front Panel**  
Cutting: Internal cabinet width LW-97mm
- 6** 1 pc **1100mm Square Cross Rail**  
Cutting: Internal cabinet width LW-72mm

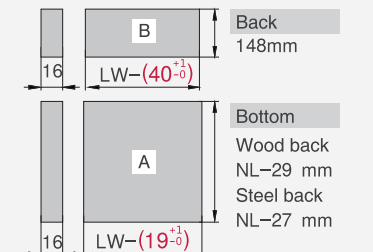
## GLASS SIDE DIMENSIONS



## GLASS FRONT DIMENSIONS



## BACK, BOTTOM DIMENSIONS



# Inner Glass Drawer

**M Height - 88mm**

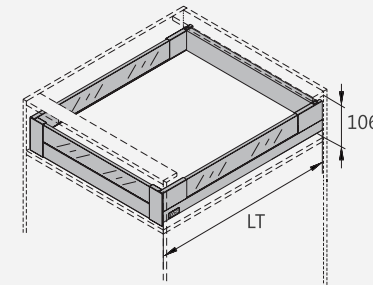
**Concealed Full Extension**  
**Load Capacity:** 40kg  
**Finish:** Silk White or Black  
**Glass Boxside:** 10mm

**3D Adjustment:**  
 Up & down adjustment: ±2mm  
 Left & right adjustment: ±1.5mm  
 Tilt adjustment: + 1.5, -2.5mm



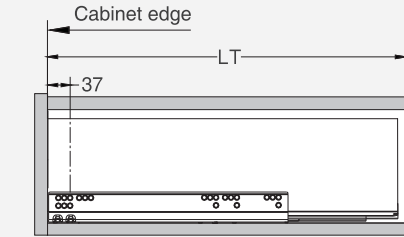
## SPACE REQUIREMENT

LT = Internal Cabinet Depth  
 LT = NL + 3



## PLANNING

NL - Nominal Slide Length  
 LT - Internal Cabinet Depth LT=NL+3  
 Soft close slides/LT=NL+3



Standard drawer

## CABINET WIDTHS (MM)

400, 450, 500, 550, 600, 900

## 1 ADD-ON COMPONENTS ORDER

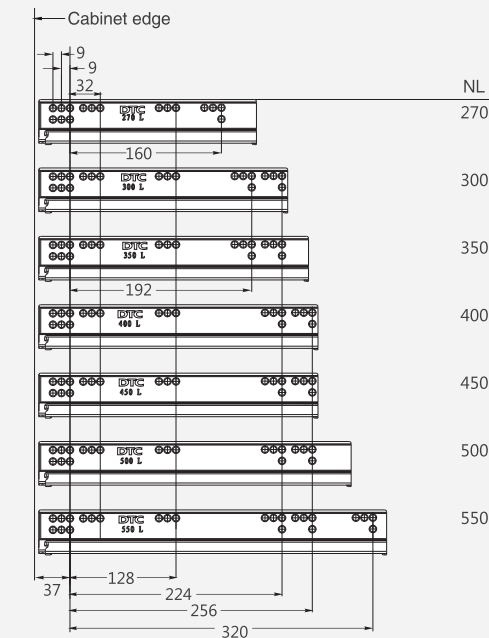
Order M Height Glass Drawer Kit and Glass Boxside (See page 28) + Front Panel Components to make the Inner Drawer

DESCRIPTION	SILK WHITE	BLACK
1100mm Inner Drawer Front Panel	DM3-GIP1100W	DM3-BIP1100B
46/88mm Front Fixing Brackets	DM3-WIFX088046	DM3-BIFX088046

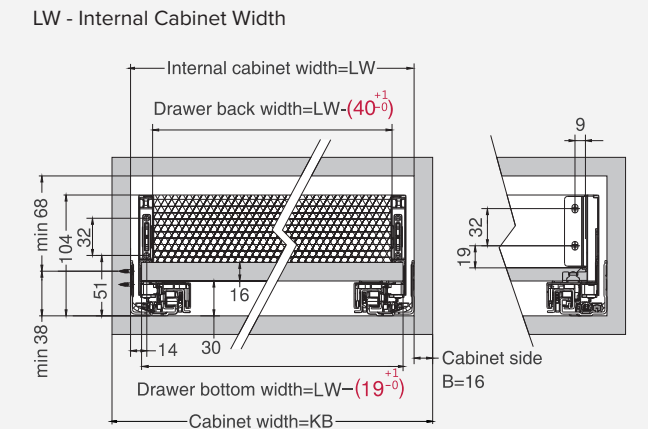
## REQUIRED ADD-ON

DRAWER FRONT WIDTH, MM	10MM GLASS FRONT (46MM)
400	DM3-IFG08846400
450	DM3-IFG08846450
500	DM3-IFG08846500
600	DM3-IFG08846600
900	DM3-IFG08846900

## SCREW POSITIONS (MM)



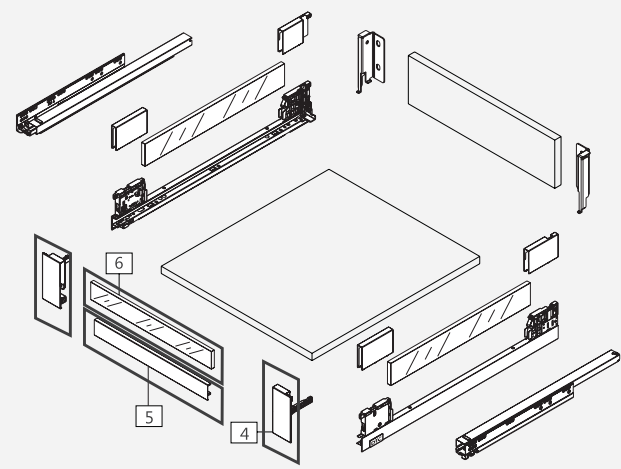
## INSTALLATION DIMENSIONS (MM)



## 2 REQUIRED COMPONENTS TO MAKE INNER SYSTEM

**M Height Glass Drawer Kit**  
 (Silk White / Black) +  
**10mm Glass Boxside**  
 (Left/Right)  
 See page 28

- 4 1 set **46/88mm Front Fixing Brackets**
- 5 1 pc **1100mm Inner Drawer Front Panel**
- 6 1 pc **10mm Inner Glass Front (46mm)**



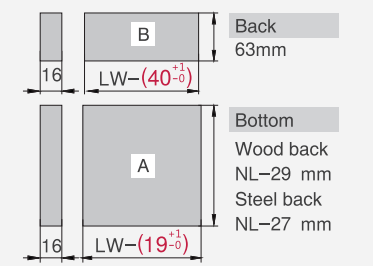
## GLASS SIDE DIMENSIONS



## GLASS FRONT DIMENSIONS



## BACK, BOTTOM DIMENSIONS





# Inner Glass Drawer - Low Glass Front

C Height - 172mm

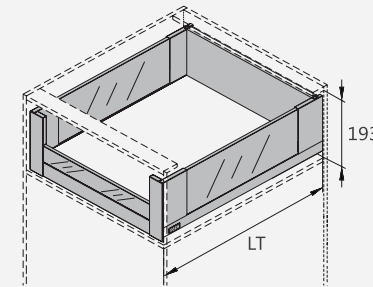
Concealed Full Extension  
 Load Capacity: 40kg  
 Finish: Silk White or Black  
 Glass Boxside: 10mm

**3D Adjustment:**  
 Up & down adjustment: ±2mm  
 Left & right adjustment: ±1.5mm  
 Tilt adjustment: + 1.5, -2.5mm



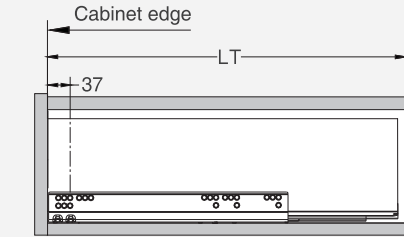
## SPACE REQUIREMENT

LT = Internal Cabinet Depth  
 LT = NL + 3



## PLANNING

NL - Nominal Slide Length  
 LT - Internal Cabinet Depth LT=NL+3  
 Soft close slides/LT=NL+3



Standard drawer

## CABINET WIDTHS (MM)

400, 450, 500, 550, 600, 900

## 1 ADD-ON COMPONENTS ORDER

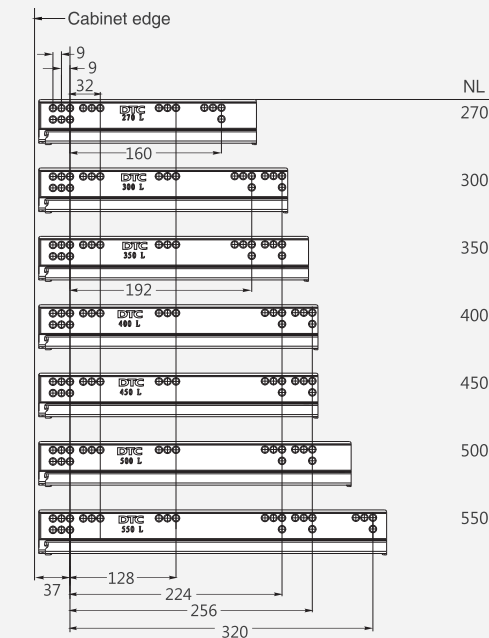
Order C Height Glass Drawer Kit and Glass Boxside (See page 30) + Front Panel Components to make the Inner Drawer

DESCRIPTION	SILK WHITE	BLACK
1100mm Inner Drawer Front Panel	DM3-GIP1100W	DM3-BIP1100B
46/172mm Front Fixing Brackets	DM3-WIFX172046	DM3-BIFX172046

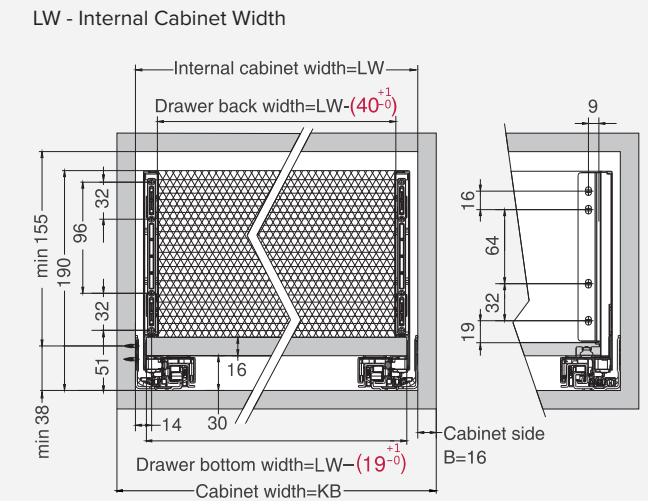
## REQUIRED ADD-ON

DRAWER FRONT WIDTH, MM	10MM GLASS FRONT (46MM)
400	DM3-IFG08846400
450	DM3-IFG08846450
500	DM3-IFG08846500
600	DM3-IFG08846600
900	DM3-IFG08846900

## SCREW POSITIONS (MM)



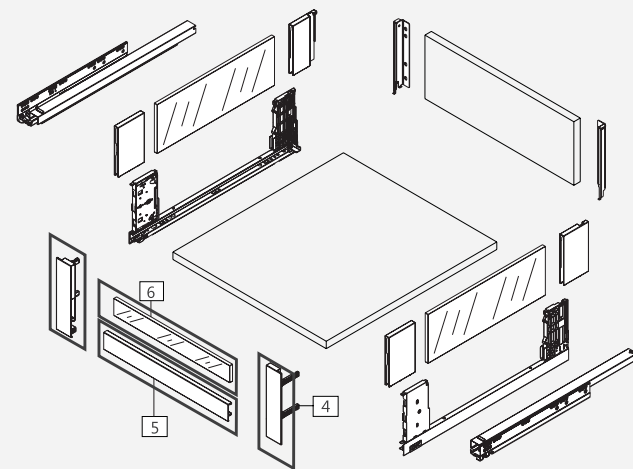
## INSTALLATION DIMENSIONS (MM)



## 2 REQUIRED COMPONENTS TO MAKE INNER SYSTEM

**C Height Glass Drawer Kit**  
 (Silk White / Black) +  
 10mm Glass Boxside  
 (Left/Right)  
 See page 30

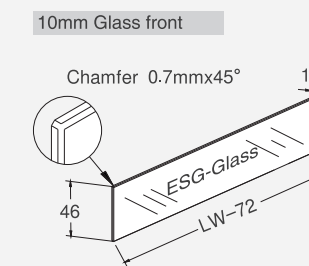
- 4 1 set **46/172mm Front Fixing Brackets**
- 5 1 pc **1100mm Inner Drawer Front Panel**
- 6 1 pc **10mm Inner Glass Front (46mm)**



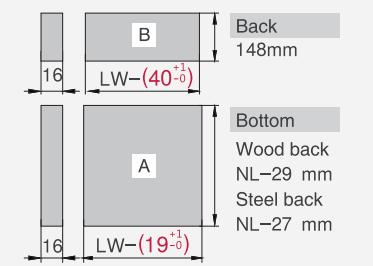
## GLASS SIDE DIMENSIONS



## GLASS FRONT DIMENSIONS



## BACK, BOTTOM DIMENSIONS



# Inner Glass Drawer - High Glass Front

C Height - 172mm

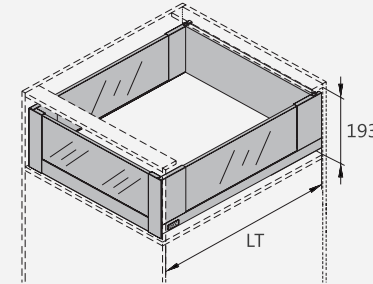
Concealed Full Extension  
 Load Capacity: 40kg  
 Finish: Silk White or Black  
 Glass Boxside: 10mm

**3D Adjustment:**  
 Up & down adjustment: ±2mm  
 Left & right adjustment: ±1.5mm  
 Tilt adjustment: + 1.5, -2.5mm



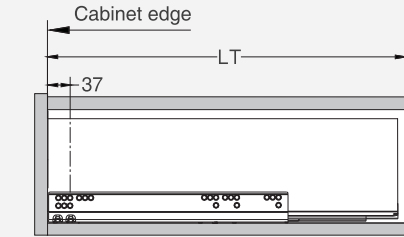
## SPACE REQUIREMENT

LT = Internal Cabinet Depth  
 LT = NL + 3



## PLANNING

NL - Nominal Slide Length  
 LT - Internal Cabinet Depth LT=NL+3  
 Soft close slides/LT=NL+3



Standard drawer

## CABINET WIDTHS (MM)

400, 450, 500, 550, 600, 900

## 1 ADD-ON COMPONENTS ORDER

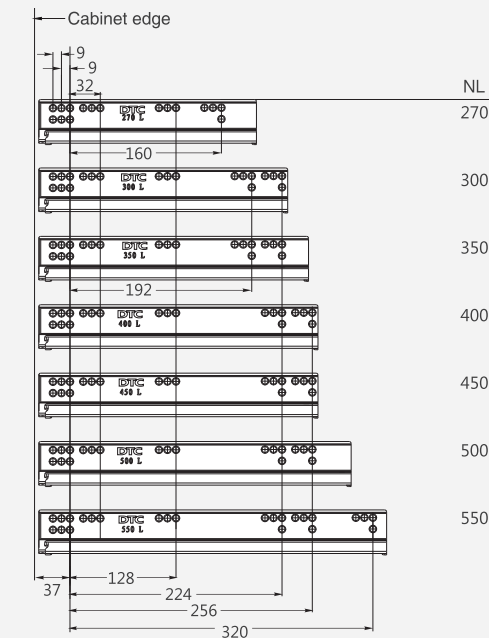
Order C Height Glass Drawer Kit and Glass Boxside (See page 30) + Front Panel Components to make the Inner Drawer

DESCRIPTION	SILK WHITE	BLACK
1100mm Inner Drawer Front Panel	DM3-GIP1100W	DM3-GIP1100B
132/172mm Front Fixing Brackets	DM3-WIFX172132	DM3-BIFX172132

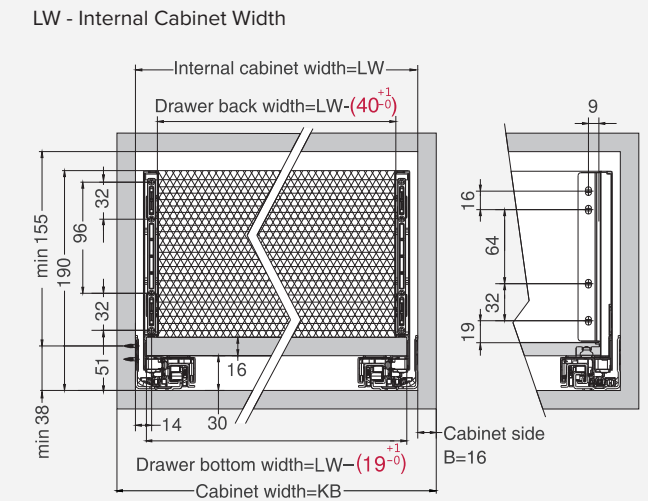
## REQUIRED ADD-ON

DRAWER FRONT WIDTH, MM	10MM GLASS FRONT (132MM)
400	DM3-IFG172132400
450	DM3-IFG172132450
500	DM3-IFG172132500
600	DM3-IFG172132600
900	DM3-IFG172132900

## SCREW POSITIONS (MM)

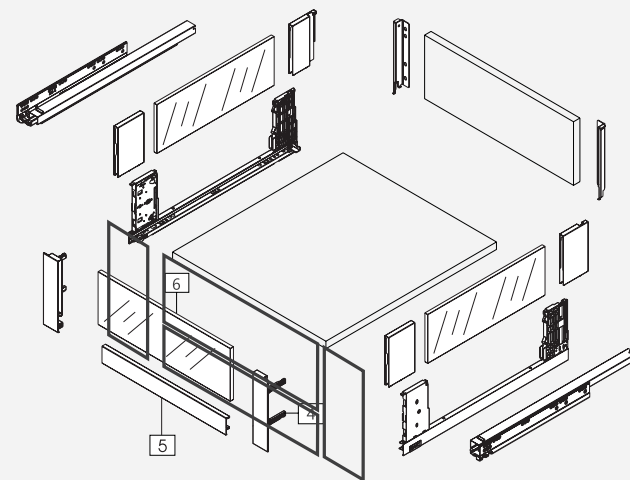


## INSTALLATION DIMENSIONS (MM)



## 2 REQUIRED COMPONENTS TO MAKE INNER SYSTEM

**C Height Glass Drawer Kit**  
 (Silk White / Black) +  
 10mm Glass Boxside  
 (Left/Right)  
 See page 30



- 4 1 set **132/172mm Front Fixing Brackets**
- 5 1 pc **1100mm Inner Drawer Front Panel**
- 6 1 pc **10mm Inner Glass Front (132mm)**

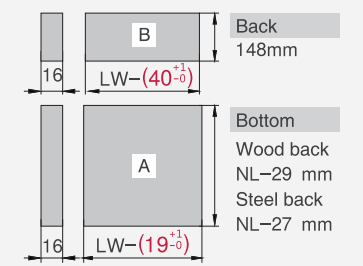
## GLASS SIDE DIMENSIONS



## GLASS FRONT DIMENSIONS



## BACK, BOTTOM DIMENSIONS







# Push Open Drawers

**Concealed Full Extension**

**Tool Free Assembly** and removal of drawer

**Silent System** guarantees smooth run without noise

**Load Capacity 40kg**

**3D Adjustment**



# Low Drawer

M Height - 88mm

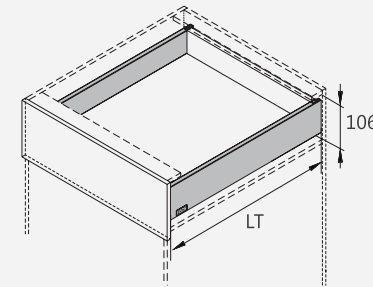
Concealed Full Extension  
 Load Capacity: 40kg  
 Finish: Silk White or Black

**3D Adjustment:**  
 Up & down adjustment: ±2mm  
 Left & right adjustment: ±1.5mm  
 Tilt adjustment: + 1.5, -2.5mm



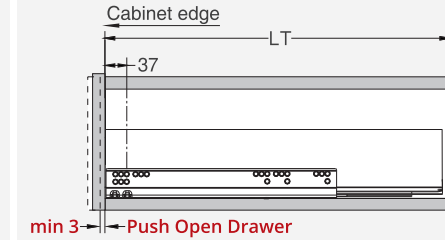
## SPACE REQUIREMENT

LT = Internal Cabinet Depth  
 LT = NL + 3



## PLANNING

NL - Nominal Slide Length  
 LT - Internal Cabinet Depth LT=NL+3  
 Soft close slides/LT=NL+3



## CABINET WIDTHS (MM)

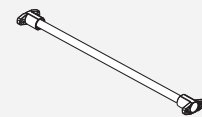
300, 350, 400, 450, 500, 600,  
 800, 900, 1100, 1200

**REQUIRED ELEMENT**  
 1100mm Synchronisation Rod  
 recommended for cabinet widths  
 800, 900, 1000 and 1200mm.

## 1 PUSH OPEN DRAWER KIT

DEPTH, MM	SILK WHITE	BLACK
400	DM4-W088400	DM4-B088400
450	DM4-W088450	DM4-B088450
500	DM4-W088500	DM4-B088500

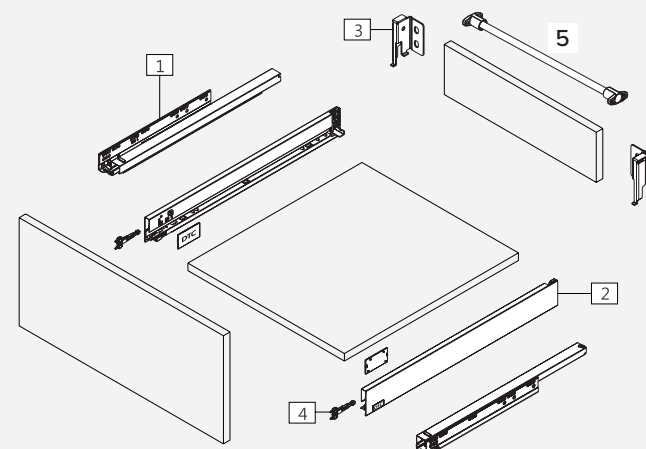
## REQUIRED ADD-ON



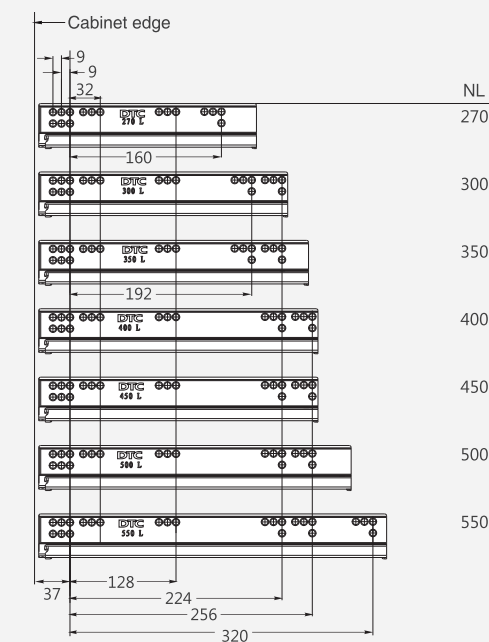
**5**  
**1100mm Synchronisation Rod**  
 DM4-SYNROD  
 Cutting: Internal cabinet width LW-172

## 2 KIT CONTENT

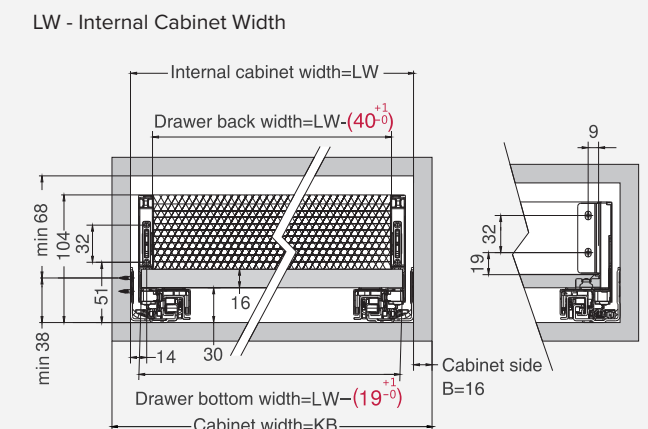
- 1** 1 set **Push to Open Slides** (left / right)
- 2** 1 set **Drawer Sides and Cover Caps** (left / right)
- 3** 1 set **Back Fixing Brackets** (left / right)
- 4** 1 set **Front Fixing Brackets** (left / right)



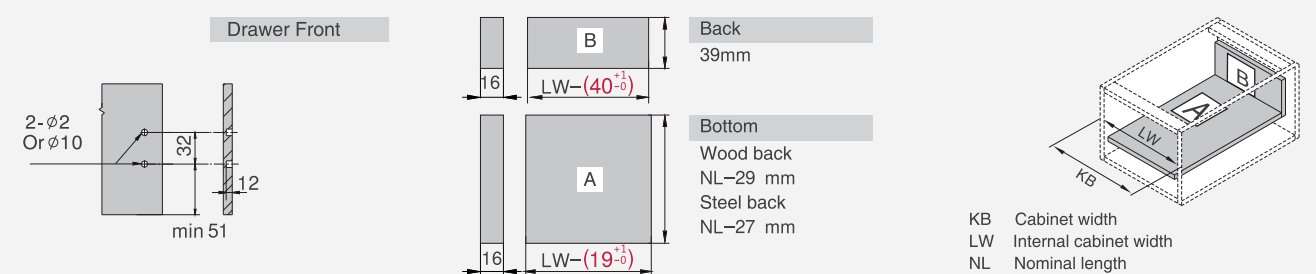
## SCREW POSITIONS (MM)



## INSTALLATION DIMENSIONS (MM)



## DRAWER FRONT, BACK AND BOTTOM DIMENSIONS (MM)



# Medium Drawer

## K Height - 126mm

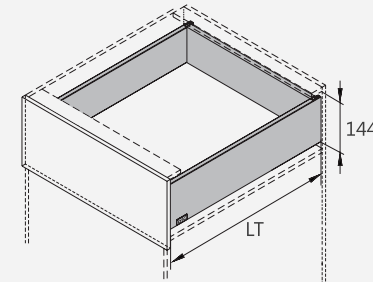
**Concealed Full Extension**  
**Load Capacity:** 40kg  
**Finish:** Silk White or Black

**3D Adjustment:**  
 Up & down adjustment: ±2mm  
 Left & right adjustment: ±1.5mm  
 Tilt adjustment: + 1.5, -2.5mm



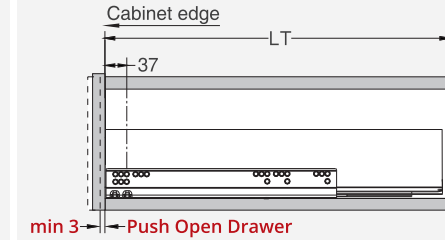
### SPACE REQUIREMENT

LT = Internal Cabinet Depth  
 LT = NL + 3



### PLANNING

NL - Nominal Slide Length  
 LT - Internal Cabinet Depth LT=NL+3  
 Soft close slides/LT=NL+3



### CABINET WIDTHS (MM)

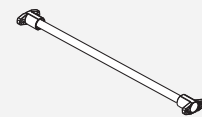
300, 350, 400, 450, 500, 600,  
 800, 900, 1100, 1200

**REQUIRED ELEMENT**  
 1100mm Synchronisation Rod  
 recommended for cabinet widths  
 800, 900, 1000 and 1200mm.

### 1 PUSH OPEN DRAWER KIT

DEPTH, MM	SILK WHITE	BLACK
400	DM4-W126400	DM4-B126400
450	DM4-W126450	DM4-B126450
500	DM4-W126500	DM4-B126500

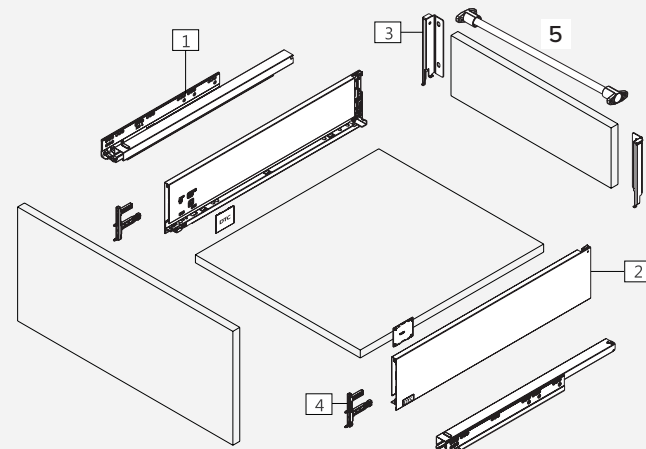
### REQUIRED ADD-ON



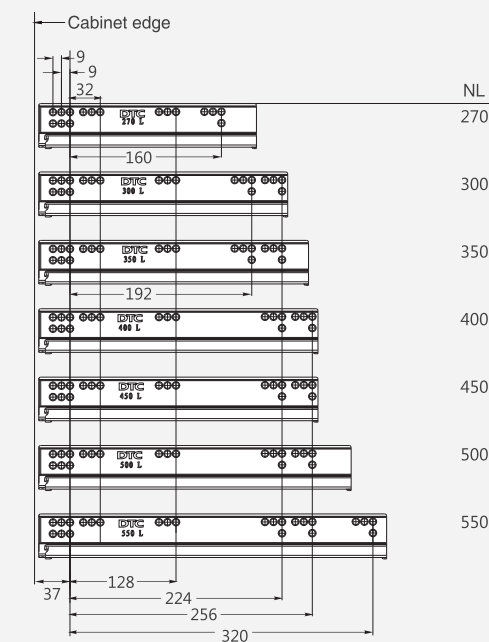
**5**  
**1100mm Synchronisation Rod**  
 DM4-SYNROD  
 Cutting: Internal cabinet width LW-172

### 2 KIT CONTENT

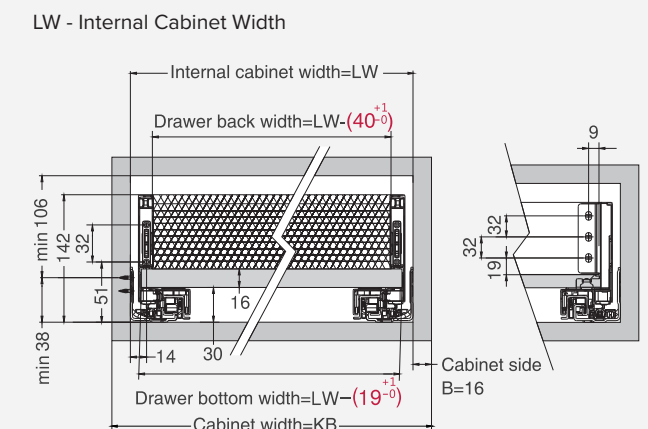
- 1** 1 set **Push to Open Slides** (left / right)
- 2** 1 set **Drawer Sides and Cover Caps** (left / right)
- 3** 1 set **Back Fixing Brackets** (left / right)
- 4** 1 set **Front Fixing Brackets** (left / right)



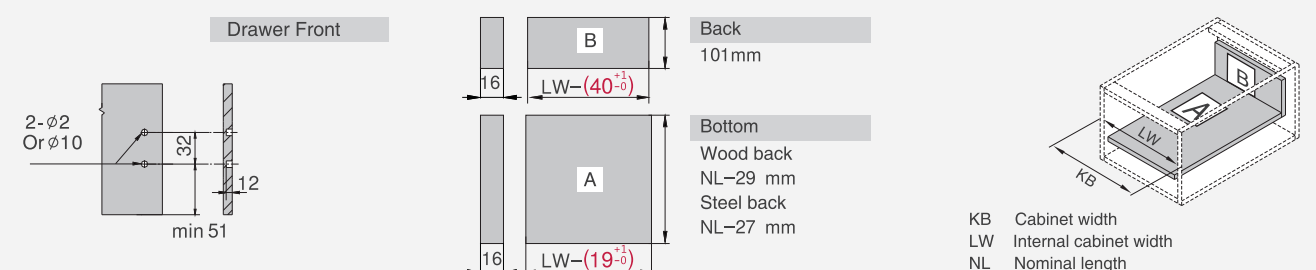
### SCREW POSITIONS (MM)



### INSTALLATION DIMENSIONS (MM)



### DRAWER FRONT, BACK AND BOTTOM DIMENSIONS (MM)



# High Drawer

## C Height - 172mm

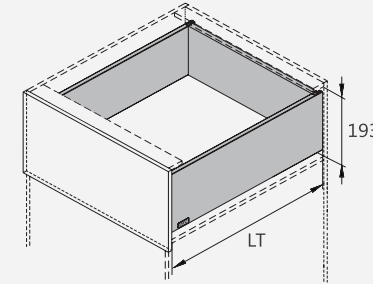
Concealed Full Extension  
 Load Capacity: 40kg  
 Finish: Silk White or Black

**3D Adjustment:**  
 Up & down adjustment: ±2mm  
 Left & right adjustment: ±1.5mm  
 Tilt adjustment: + 1.5, -2.5mm



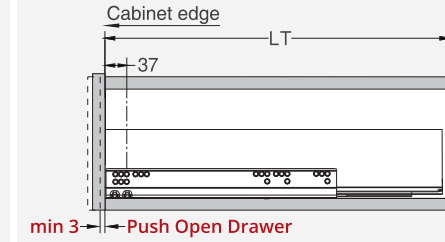
### SPACE REQUIREMENT

LT = Internal Cabinet Depth  
 LT = NL + 3



### PLANNING

NL - Nominal Slide Length  
 LT - Internal Cabinet Depth LT=NL+3  
 Soft close slides/LT=NL+3



### CABINET WIDTHS (MM)

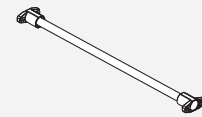
300, 350, 400, 450, 500, 600,  
 800, 900, 1100, 1200

**REQUIRED ELEMENT**  
 1100mm Synchronisation Rod  
 recommended for cabinet widths  
 800, 900, 1000 and 1200mm.

### 1 PUSH OPEN DRAWER KIT

DEPTH, MM	SILK WHITE	BLACK
400	DM4-W172400	DM4-B172400
450	DM4-W172450	DM4-B172450
500	DM4-W172500	DM4-B172500

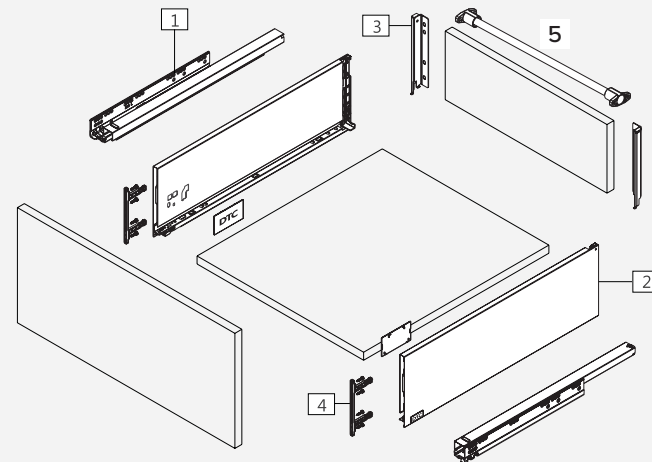
### REQUIRED ADD-ON



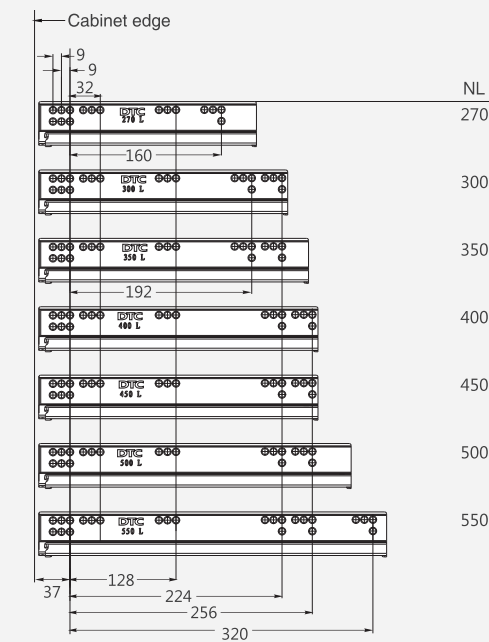
**5**  
**1100mm Synchronisation Rod**  
 DM4-SYNROD  
 Cutting: Internal cabinet width LW-172

### 2 KIT CONTENT

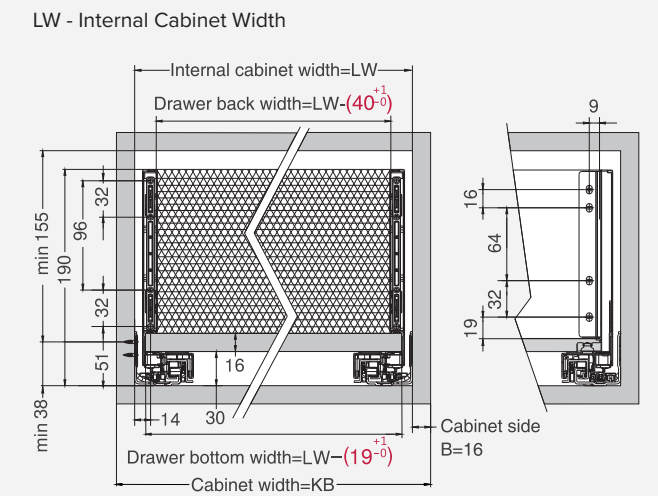
- 1** 1 set **Push to Open Slides** (left / right)
- 2** 1 set **Drawer Sides and Cover Caps** (left / right)
- 3** 1 set **Back Fixing Brackets** (left / right)
- 4** 1 set **Front Fixing Brackets** (left / right)



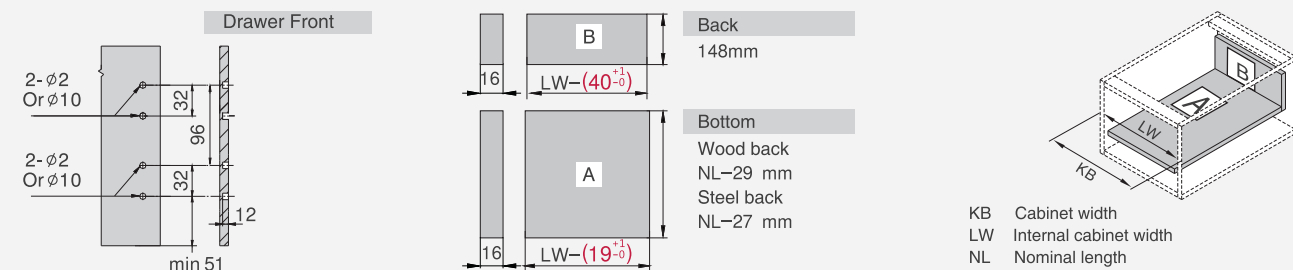
### SCREW POSITIONS (MM)



### INSTALLATION DIMENSIONS (MM)



### DRAWER FRONT, BACK AND BOTTOM DIMENSIONS (MM)





# Super High Drawer

F Height - 238mm

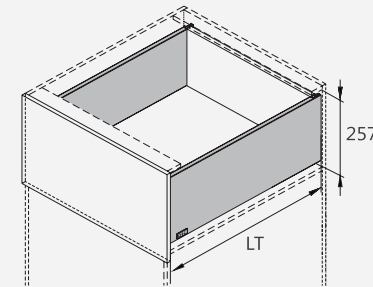
Concealed Full Extension  
 Load Capacity: 40kg  
 Finish: Silk White or Black

**3D Adjustment:**  
 Up & down adjustment: ±2mm  
 Left & right adjustment: ±1.5mm  
 Tilt adjustment: + 1.5, -2.5mm



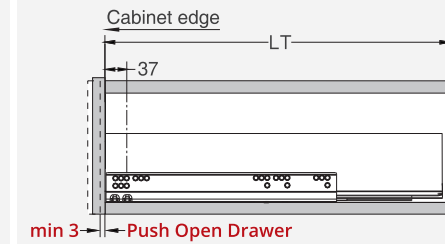
## SPACE REQUIREMENT

LT = Internal Cabinet Depth  
 LT = NL + 3



## PLANNING

NL - Nominal Slide Length  
 LT - Internal Cabinet Depth LT=NL+3  
 Soft close slides/LT=NL+3



## CABINET WIDTHS (MM)

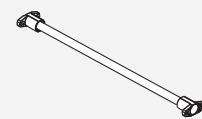
300, 350, 400, 450, 500, 600,  
 800, 900, 1100, 1200

**REQUIRED ELEMENT**  
 1100mm Synchronisation Rod  
 recommended for cabinet widths  
 800, 900, 1000 and 1200mm.

## 1 PUSH OPEN DRAWER KIT

DEPTH, MM	SILK WHITE	BLACK
400	DM4-W238400	DM4-B238400
450	DM4-W238450	DM4-B238450
500	DM4-W238500	DM4-B238500

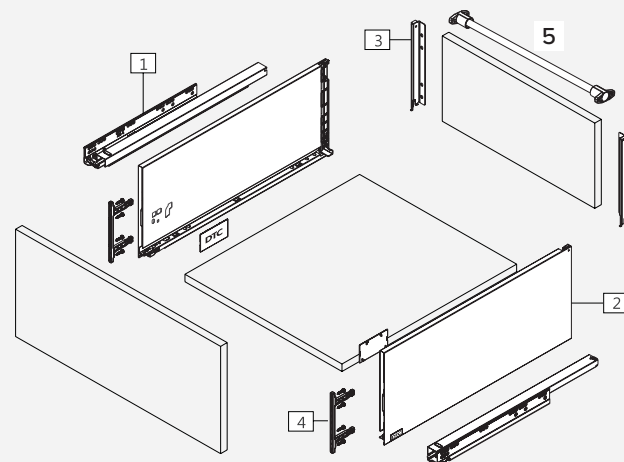
## REQUIRED ADD-ON



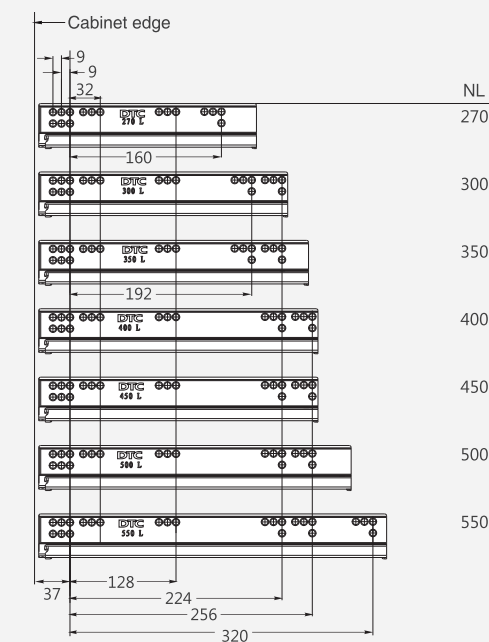
**5**  
**1100mm Synchronisation Rod**  
 DM4-SYNROD  
 Cutting: Internal cabinet width LW-172

## 2 KIT CONTENT

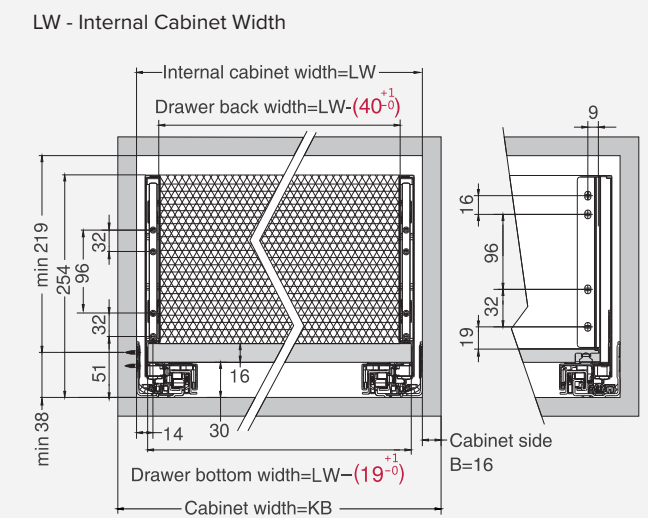
- 1** 1 set **Push to Open Slides** (left / right)
- 2** 1 set **Drawer Sides and Cover Caps** (left / right)
- 3** 1 set **Back Fixing Brackets** (left / right)
- 4** 1 set **Front Fixing Brackets** (left / right)



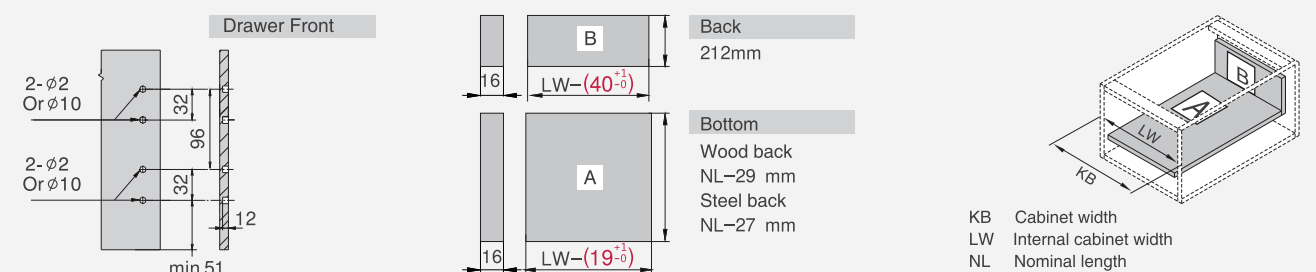
## SCREW POSITIONS (MM)



## INSTALLATION DIMENSIONS (MM)



## DRAWER FRONT, BACK AND BOTTOM DIMENSIONS (MM)



KB Cabinet width  
 LW Internal cabinet width  
 NL Nominal length

# Low Inner Drawer

M Height - 88mm

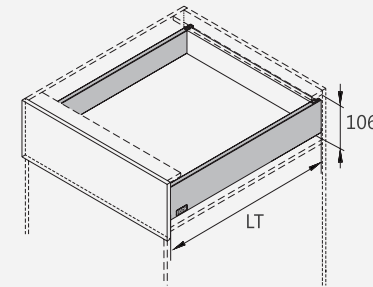
Concealed Full Extension  
 Load Capacity: 40kg  
 Finish: Silk White or Black

**3D Adjustment:**  
 Up & down adjustment: ±2mm  
 Left & right adjustment: ±1.5mm  
 Tilt adjustment: + 1.5, -2.5mm



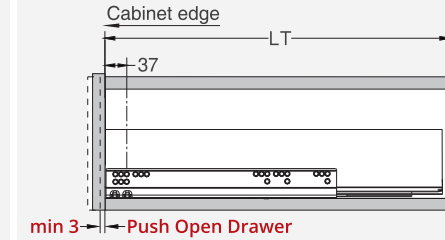
## SPACE REQUIREMENT

LT = Internal Cabinet Depth  
 LT = NL + 3



## PLANNING

NL - Nominal Slide Length  
 LT - Internal Cabinet Depth LT=NL+3  
 Soft close slides/LT=NL+3



## CABINET WIDTHS (MM)

300, 350, 400, 450, 500, 600,  
 800, 900, 1100, 1200

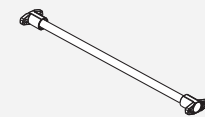
**REQUIRED ELEMENT**  
 1100mm Synchronisation Rod  
 recommended for cabinet widths  
 800, 900, 1000 and 1200mm.

## 1 ADD-ON COMPONENTS ORDER

Order M Height Push Open Drawer Kit (See page 44) +  
 Front Panel Components to make the Inner Drawer

DESCRIPTION	SILK WHITE	BLACK
Front Fixing Brackets	DM1-088IFXW	DM5-088IFXB
1100mm Front Panel	DM1-IP1100W	DM5-IP1100B

## REQUIRED ADD-ON



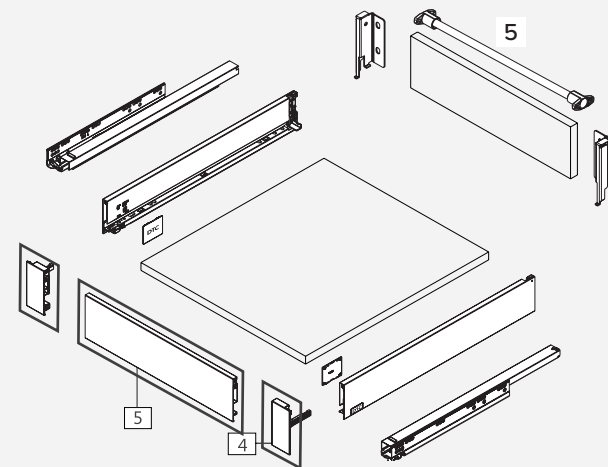
**5**  
**1100mm Synchronisation Rod**  
 DM4-SYNROD  
 Cutting: Internal cabinet width LW-172

## 2 REQUIRED COMPONENTS TO MAKE INNER SYSTEM

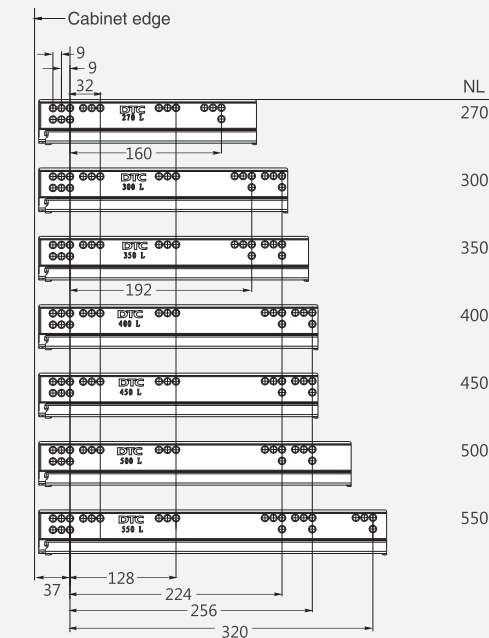
**1**  
**M Height Drawer Kit**  
 (Silk White / Black) (Push to Open Slides)  
 See page 44

**4**  
 1 set **Front Fixing Brackets** (left / right)  
 Replace these brackets over kit version

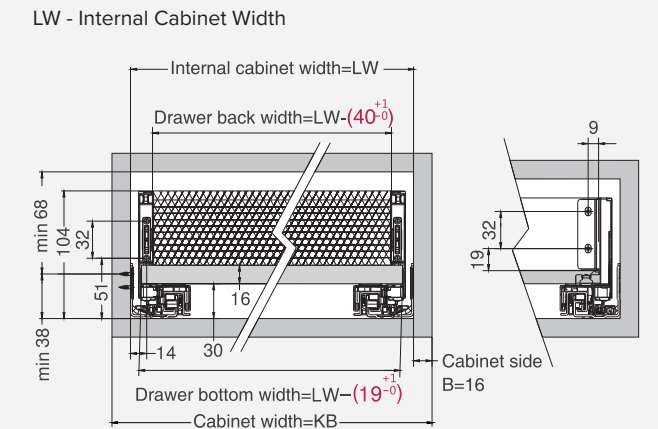
**5**  
 1 pc **1100mm Front Panel**  
 Cutting: Internal cabinet width LW-97mm



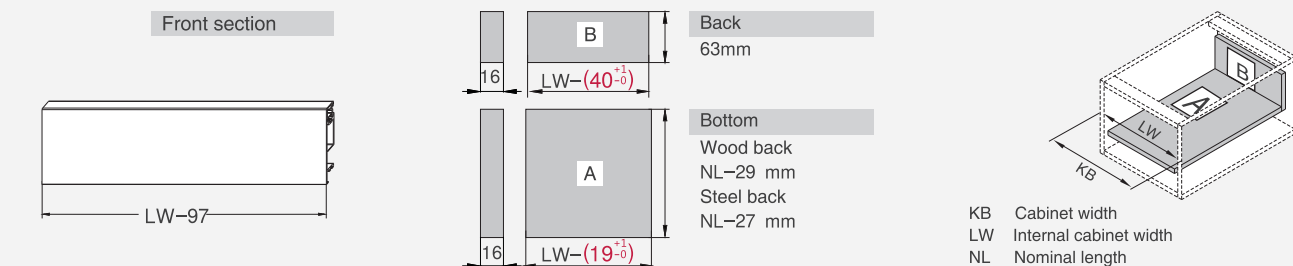
## SCREW POSITIONS (MM)



## INSTALLATION DIMENSIONS (MM)



## DRAWER FRONT, BACK AND BOTTOM DIMENSIONS (MM)



# High Inner Drawer

**C Height - 172mm**

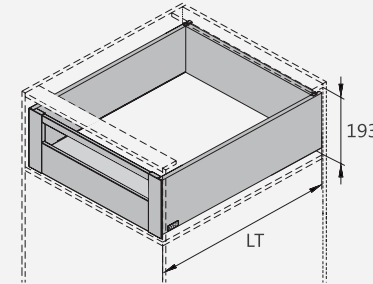
**Concealed Full Extension**  
**Load Capacity:** 40kg  
**Finish:** Silk White or Black

**3D Adjustment:**  
 Up & down adjustment: ±2mm  
 Left & right adjustment: ±1.5mm  
 Tilt adjustment: + 1.5, -2.5mm

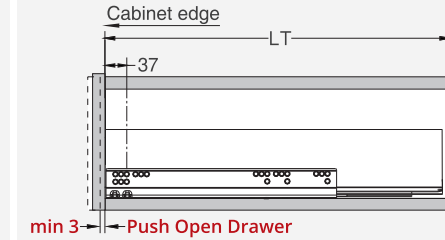


## SPACE REQUIREMENT      PLANNING      CABINET WIDTHS (MM)

LT = Internal Cabinet Depth  
 LT = NL + 3



NL - Nominal Slide Length  
 LT - Internal Cabinet Depth LT=NL+3  
 Soft close slides/LT=NL+3



300, 350, 400, 450, 500, 600,  
 800, 900, 1100, 1200

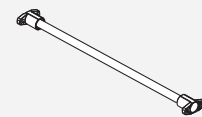
**REQUIRED ELEMENT**  
 1100mm Synchronisation Rod  
 recommended for cabinet widths  
 800, 900, 1000 and 1200mm.

## 1 ADD-ON COMPONENTS ORDER

Order C Height Push Open Drawer Kit (See page 48) +  
 Front Panel Components to make the Inner Drawer

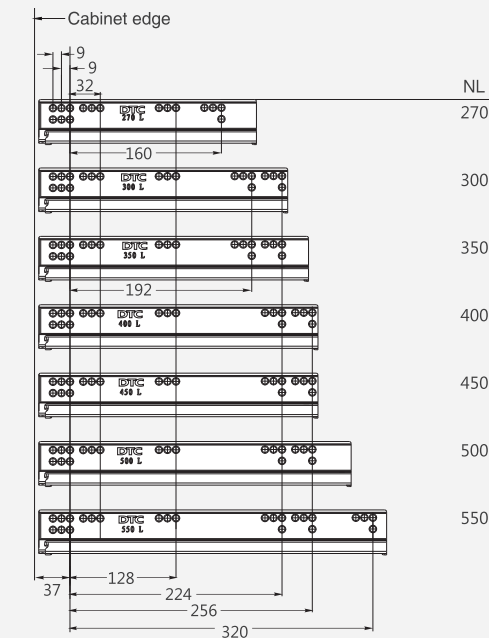
DESCRIPTION	SILK WHITE	BLACK
Front Fixing Brackets	DM1-172IFXW	DM5-172IFXB
1100mm Front Panel	DM1-IP1100W	DM5-IP1100B
Square Cross Rail	DM1-SQRILW	DM5-SQRILB

## REQUIRED ADD-ON

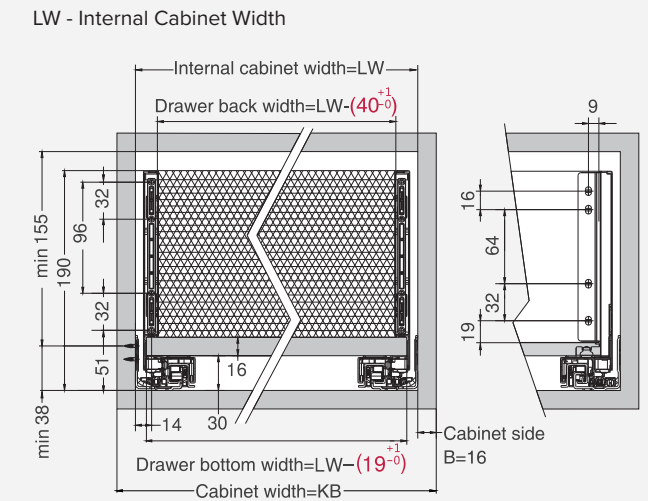


**7** **1100mm Synchronisation Rod**  
 DM4-SYNROD  
 Cutting: Internal cabinet width LW-172

## SCREW POSITIONS (MM)

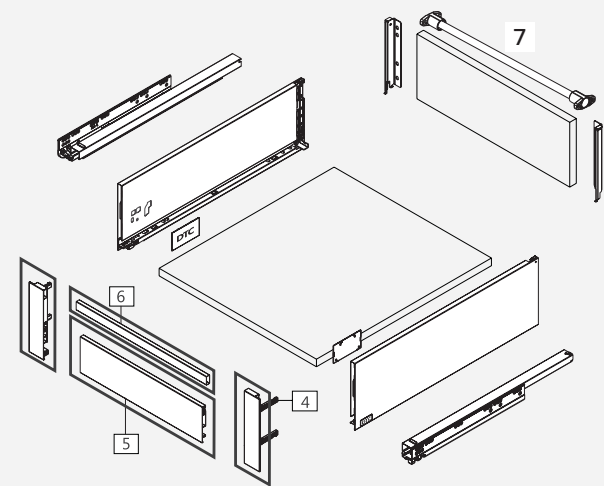


## INSTALLATION DIMENSIONS (MM)

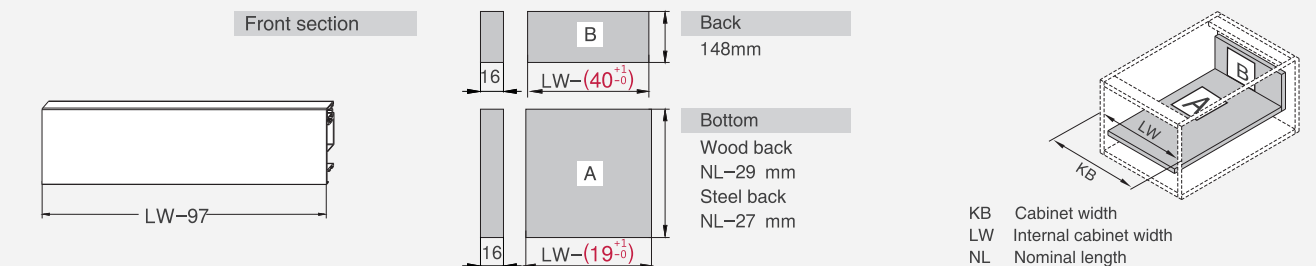


## 2 REQUIRED COMPONENTS TO MAKE INNER SYSTEM

- 1** **C Height Drawer Kit**  
 (Silk White / Black) (Push to Open Slides)  
 See page 48
- 4** 1 set **Front Fixing Brackets** (left / right)  
 Replace these brackets over kit version
- 5** 1 pc **1100mm Front Panel**  
 Cutting: Internal cabinet width LW-97mm
- 6** 1 pc **1100mm Square Cross Rail**  
 Cutting: Internal cabinet width LW-72mm



## DRAWER FRONT, BACK AND BOTTOM DIMENSIONS (MM)





# Inner Glass Front Drawer

**M Height - 88mm**

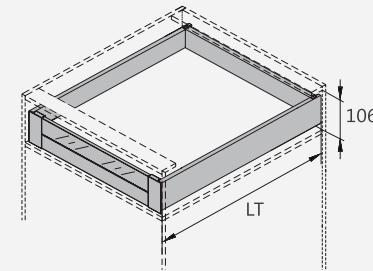
**Concealed Full Extension**  
**Load Capacity:** 40kg  
**Finish:** Silk White or Black

**3D Adjustment:**  
 Up & down adjustment: ±2mm  
 Left & right adjustment: ±1.5mm  
 Tilt adjustment: + 1.5, -2.5mm



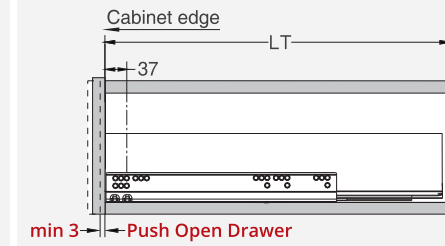
## SPACE REQUIREMENT

LT = Internal Cabinet Depth  
 LT = NL + 3



## PLANNING

NL - Nominal Slide Length  
 LT - Internal Cabinet Depth LT=NL+3  
 Soft close slides/LT=NL+3



## CABINET WIDTHS (MM)

400, 450, 500, 550, 600, 900

**REQUIRED ELEMENT**  
 1100mm Synchronisation Rod  
 recommended for cabinet widths  
 800, 900, 1000 and 1200mm.

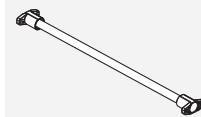
## 1 ADD-ON COMPONENTS ORDER

Order M Height Push Open Drawer Kit (See page 44) + Front Panel Components to make the Inner Drawer

DESCRIPTION	SILK WHITE	BLACK
1100mm Inner Drawer Front Panel	DM3-GIP1100W	DM3-BIP1100B
46/88mm Front Fixing Brackets	DM3-WIFX088046	DM3-BIFX088046

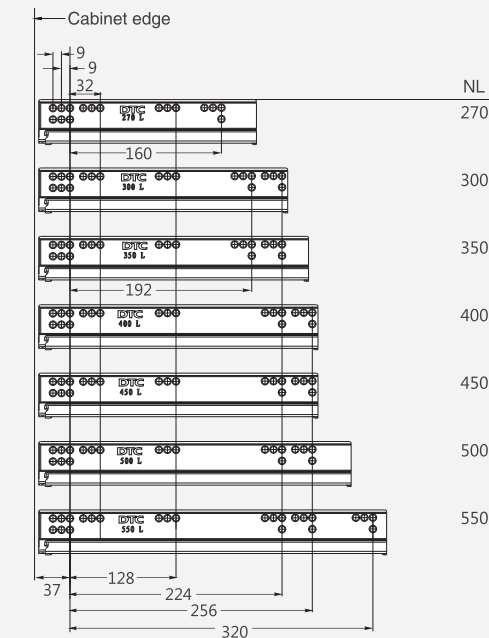
## REQUIRED ADD-ONS

DRAWER FRONT WIDTH, MM	10MM GLASS FRONT (46MM)
400	DM3-IFG08846400
450	DM3-IFG08846450
500	DM3-IFG08846500
600	DM3-IFG08846600
900	DM3-IFG08846900

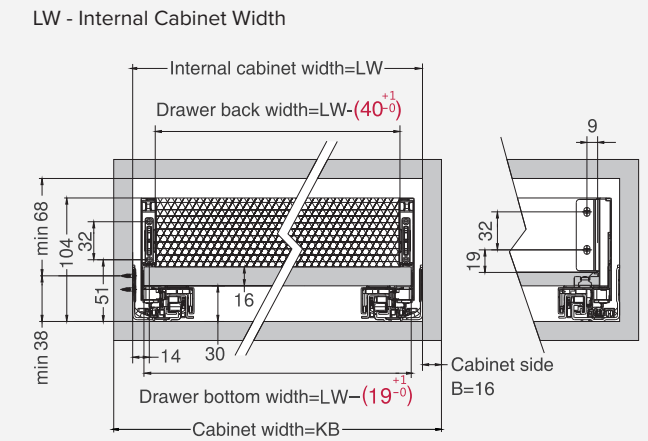


**7 1100mm Synchronisation Rod**  
 DM4-SYNROD  
 Cutting: Internal cabinet width LW-172

## SCREW POSITIONS (MM)

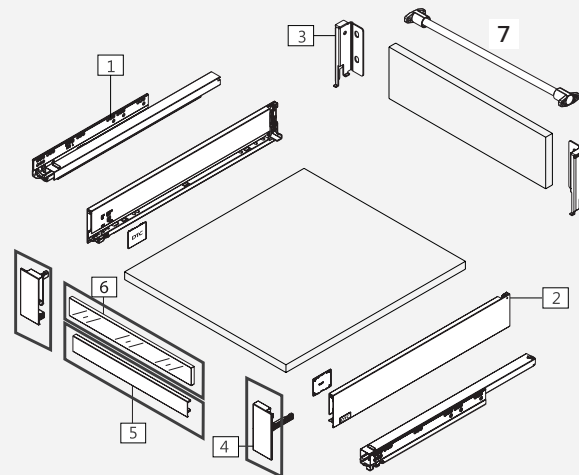


## INSTALLATION DIMENSIONS (MM)

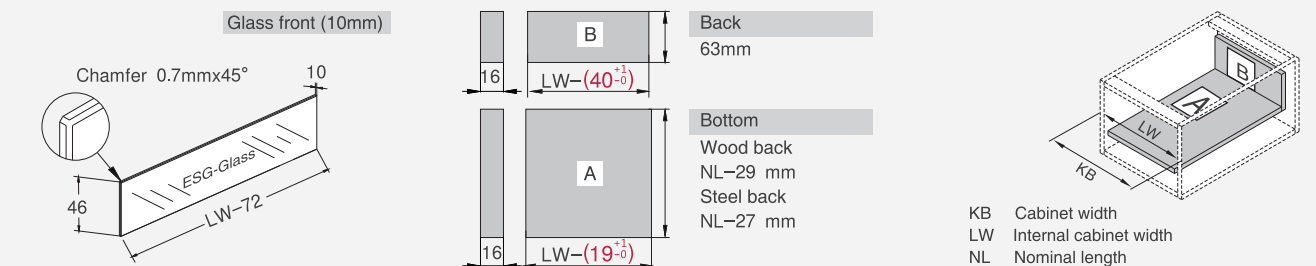


## 2 REQUIRED COMPONENTS TO MAKE INNER SYSTEM

- M Height Drawer Kit**  
(Silk White / Black)  
(Push to Open Slides)  
See page 44
- 1 set **46/88mm Front Fixing Brackets**
- 1 pc **1100mm Inner Drawer Front Panel**
- 1 pc **10mm Inner Glass Front (46mm)**



## DRAWER FRONT, BACK AND BOTTOM DIMENSIONS (MM)



# Inner Low Glass Front Drawer

**C Height - 172mm**

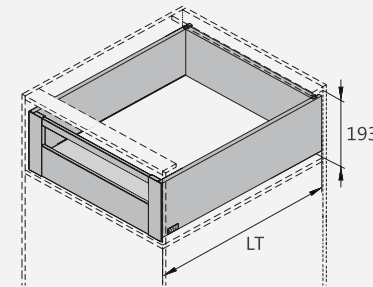
**Concealed Full Extension**  
**Load Capacity:** 40kg  
**Finish:** Silk White or Black

**3D Adjustment:**  
 Up & down adjustment: ±2mm  
 Left & right adjustment: ±1.5mm  
 Tilt adjustment: + 1.5, -2.5mm



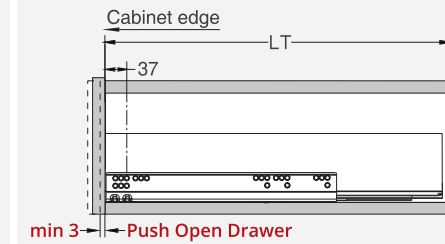
## SPACE REQUIREMENT

LT = Internal Cabinet Depth  
 LT = NL + 3



## PLANNING

NL - Nominal Slide Length  
 LT - Internal Cabinet Depth LT=NL+3  
 Soft close slides/LT=NL+3



## CABINET WIDTHS (MM)

400, 450, 500, 550, 600, 900

**REQUIRED ELEMENT**  
 1100mm Synchronisation Rod  
 recommended for cabinet widths  
 800, 900, 1000 and 1200mm.

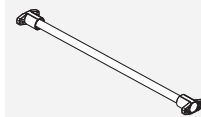
## 1 ADD-ON COMPONENTS ORDER

Order C Height Push Open Drawer Kit (See page 48) + Front Panel Components to make the Inner Drawer

DESCRIPTION	SILK WHITE	BLACK
1100mm Inner Drawer Front Panel	DM3-GIP1100W	DM3-BIP1100B
46/172mm Front Fixing Brackets	DM3-WIFX172046	DM3-BIFX172046

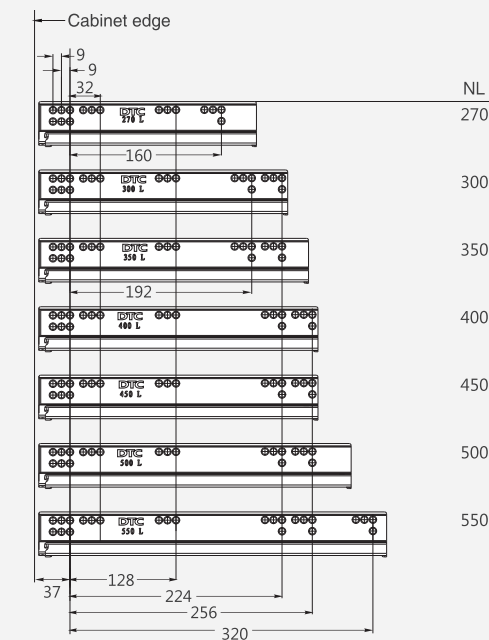
## REQUIRED ADD-ONS

DRAWER FRONT WIDTH, MM	10MM GLASS FRONT (46MM)
400	DM3-IFG08846400
450	DM3-IFG08846450
500	DM3-IFG08846500
600	DM3-IFG08846600
900	DM3-IFG08846900

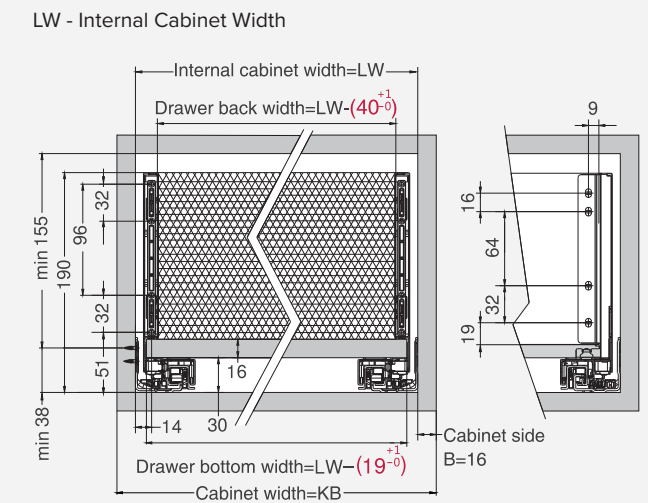


**7 1100mm Synchronisation Rod**  
 DM4-SYNROD  
 Cutting: Internal cabinet width LW-172

## SCREW POSITIONS (MM)



## INSTALLATION DIMENSIONS (MM)



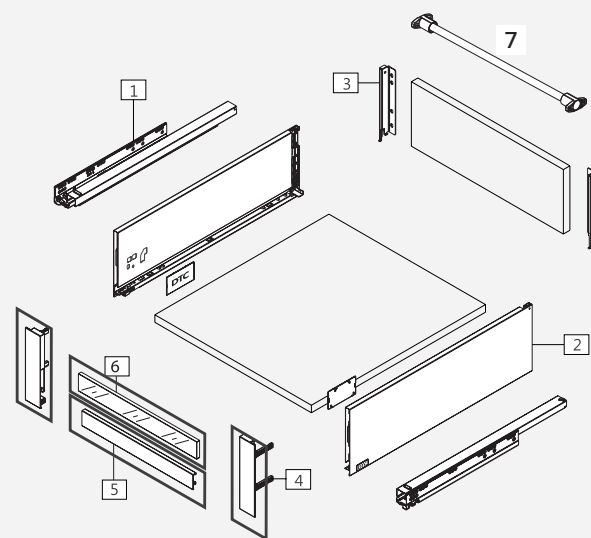
## 2 REQUIRED COMPONENTS TO MAKE INNER SYSTEM

**1 C Height Glass Drawer Kit**  
 (Silk White / Black)  
 (Push to Open Slides) +  
**10mm Glass Boxside**  
 (Left/Right)  
 See page 48

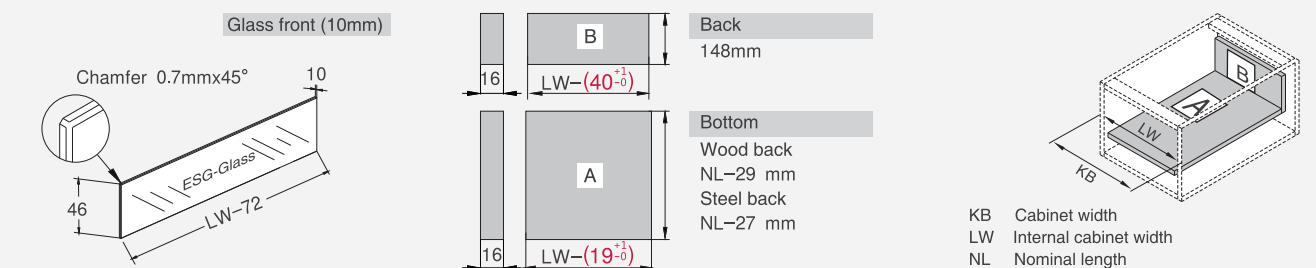
**4 1 set 46/172mm Front Fixing Brackets**

**5 1 pc 1100mm Inner Drawer Front Panel**

**6 1 pc 10mm Inner Glass Front (46mm)**



## DRAWER FRONT, BACK AND BOTTOM DIMENSIONS (MM)



KB Cabinet width  
 LW Internal cabinet width  
 NL Nominal length

# Inner High Glass Front Drawer

**C Height - 172mm**

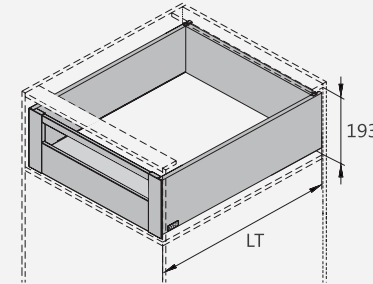
**Concealed Full Extension**  
**Load Capacity:** 40kg  
**Finish:** Silk White or Black

**3D Adjustment:**  
 Up & down adjustment: ±2mm  
 Left & right adjustment: ±1.5mm  
 Tilt adjustment: + 1.5, -2.5mm



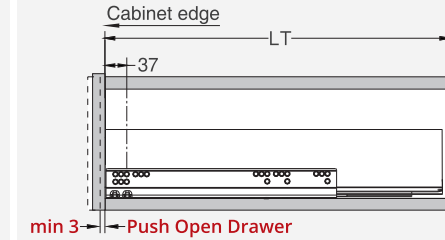
## SPACE REQUIREMENT

LT = Internal Cabinet Depth  
 LT = NL + 3



## PLANNING

NL - Nominal Slide Length  
 LT - Internal Cabinet Depth LT=NL+3  
 Soft close slides/LT=NL+3



## CABINET WIDTHS (MM)

400, 450, 500, 550, 600, 900

**REQUIRED ELEMENT**  
 1100mm Synchronisation Rod  
 recommended for cabinet widths  
 800, 900, 1000 and 1200mm.

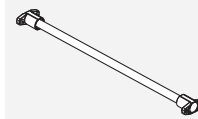
## 1 ADD-ON COMPONENTS ORDER

Order C Height Push Open Drawer Kit (See page 48) + Front Panel Components to make the Inner Drawer

DESCRIPTION	SILK WHITE	BLACK
1100mm Inner Drawer Front Panel	DM3-GIP1100W	DM3-BIP1100B
132/172mm Front Fixing Brackets	DM3-WIFX172132	DM3-BIFX172132

## REQUIRED ADD-ONS

DRAWER FRONT WIDTH, MM	10MM GLASS FRONT (132MM)
400	DM3-IFG172132400
450	DM3-IFG172132450
500	DM3-IFG172132500
600	DM3-IFG172132600
900	DM3-IFG172132900



**7 1100mm Synchronisation Rod**  
 DM4-SYNROD  
 Cutting: Internal cabinet width LW-172

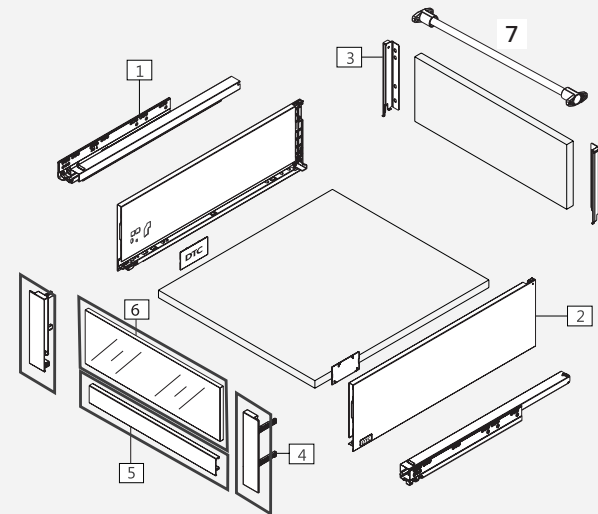
## 2 REQUIRED COMPONENTS TO MAKE INNER SYSTEM

**1 C Height Glass Drawer Kit**  
 (Silk White / Black)  
 (Push to Open Slides) +  
**10mm Glass Boxside**  
 (Left/Right)  
 See page 48

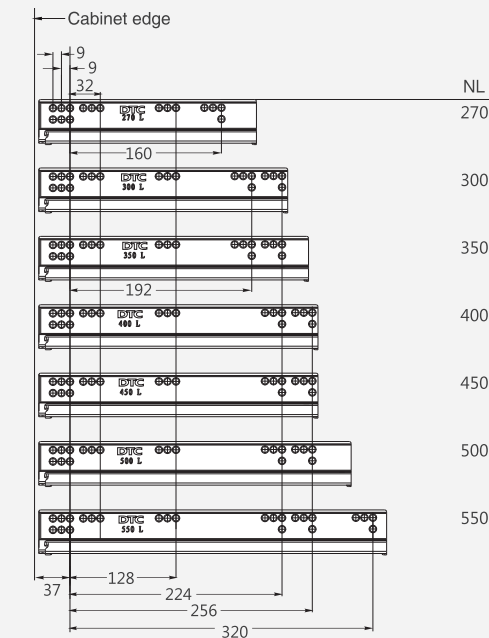
**4 1 set 132/172mm Front Fixing Brackets**

**5 1 pc 1100mm Inner Drawer Front Panel**

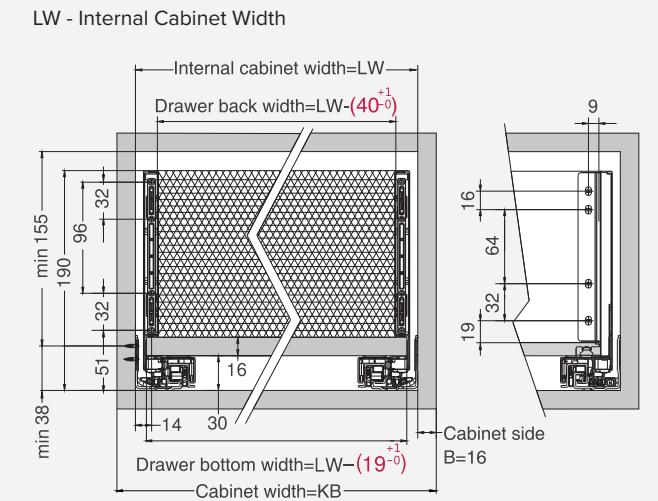
**6 1 pc 10mm Inner Glass Front (132mm)**



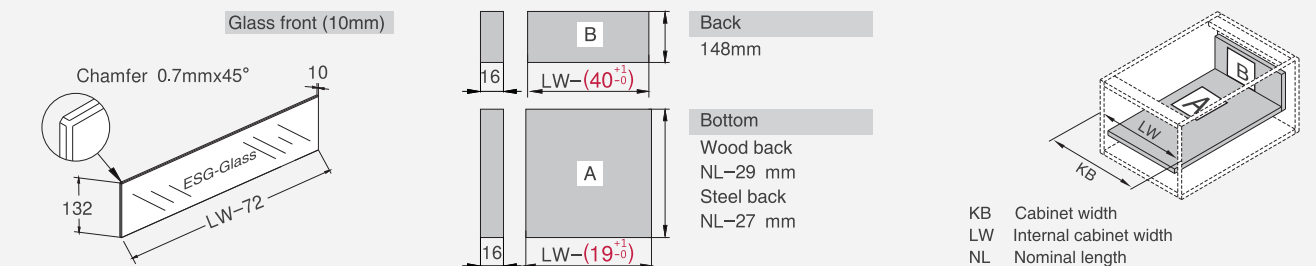
## SCREW POSITIONS (MM)



## INSTALLATION DIMENSIONS (MM)



## DRAWER FRONT, BACK AND BOTTOM DIMENSIONS (MM)







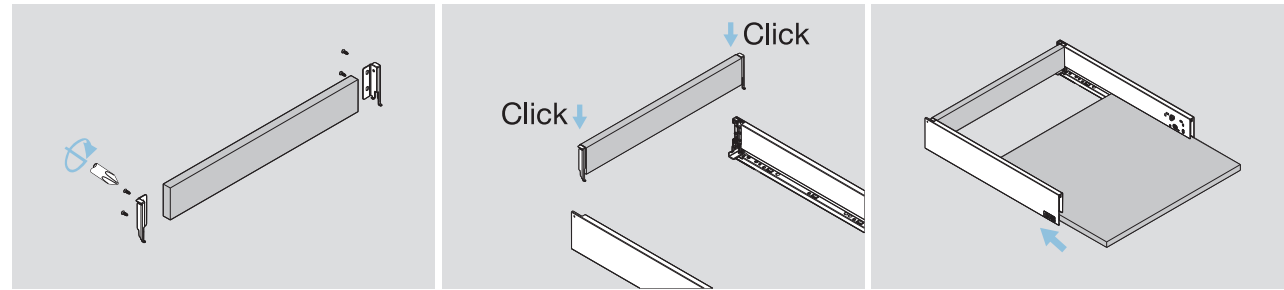
# Assembly & Adjustments

---

# Accessories

## Assembly and Adjustments

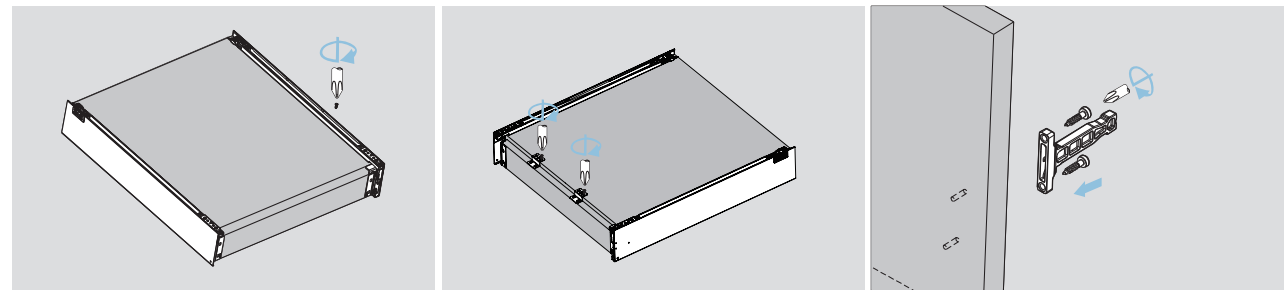
### DRAWER ASSEMBLY



Back assembly

Click  
Click

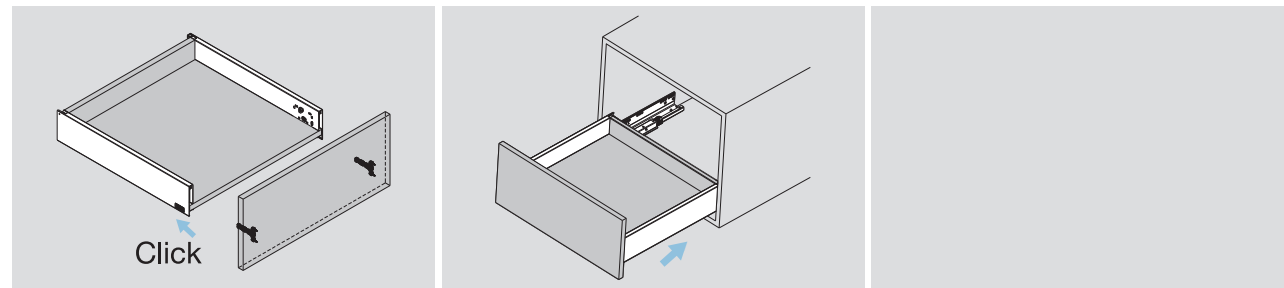
Bottom assembly



Fix screws

It is recommended to use 2 fixing-brackets for drawer width over 400mm.

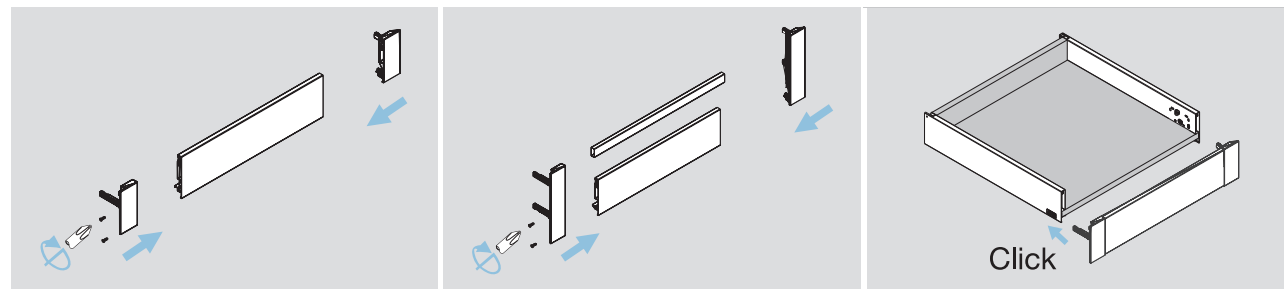
Front assembly



Front assembly

Slide into the cabinet

### INNER DRAWER FRONT ASSEMBLY

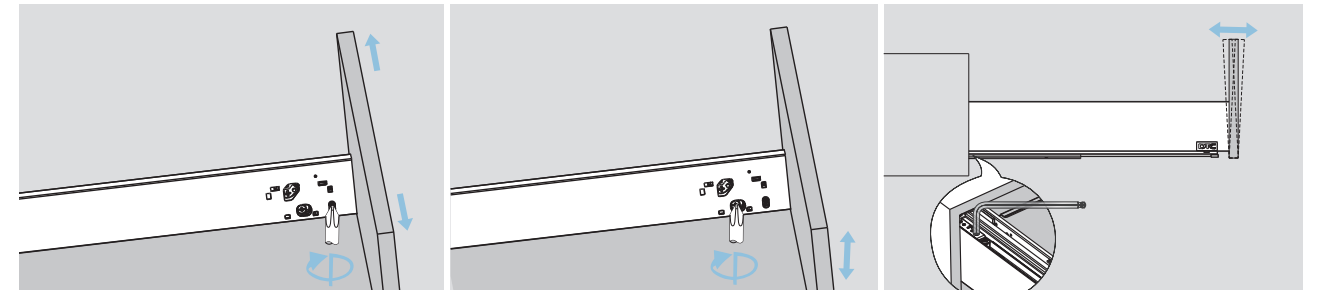


Low Inner Drawer: M Height

High Inner Drawer: C Height

Click

### ADJUSTMENTS

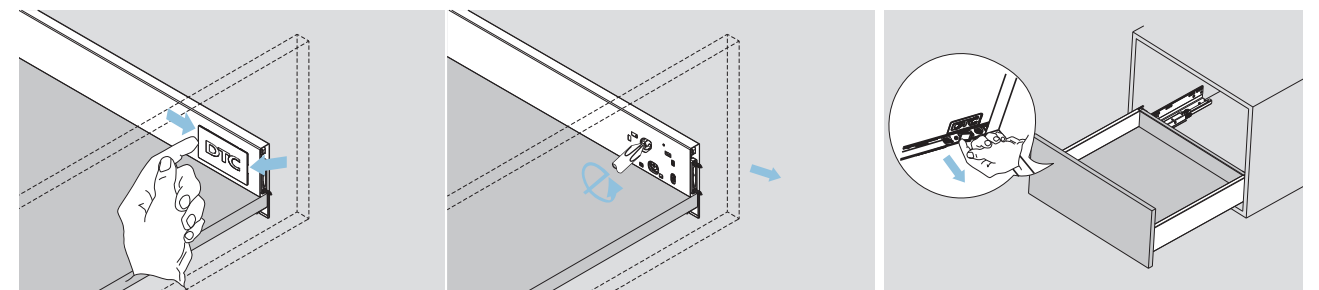


Left & right adjustment

Up & down adjustment

Tilt adjustment (by M3 Allen key)

### REMOVAL

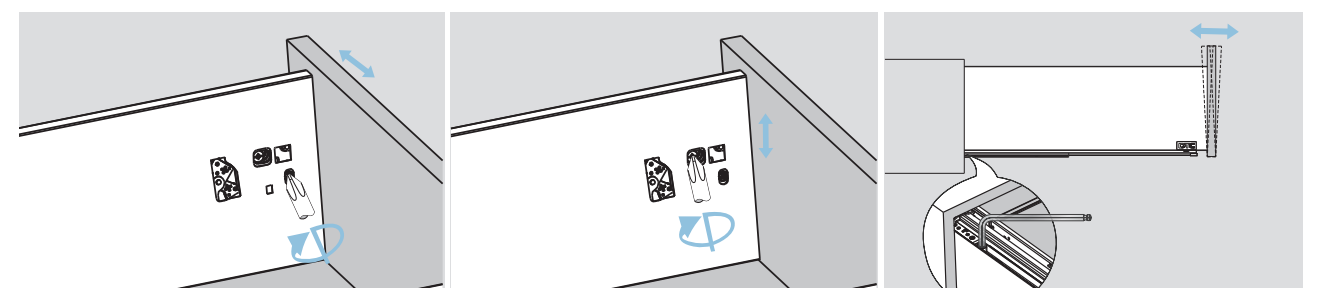


Tip up the cover and pull out

Turn screw driver to release the drawer front

Press the locking device under drawer bottom and pull out the drawer

### ADJUSTMENTS FOR HIGH DRAWER

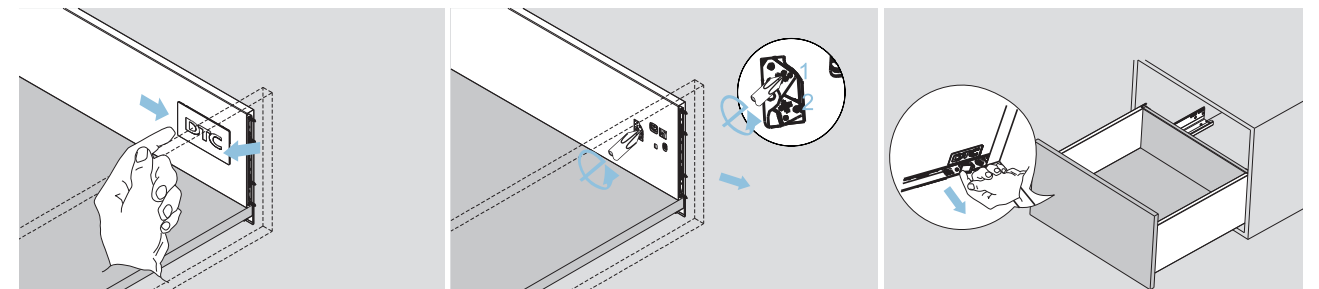


Left & right adjustment

Up & down adjustment

Tilt adjustment (by M3 Allen key)

### REMOVAL OF HIGH DRAWER



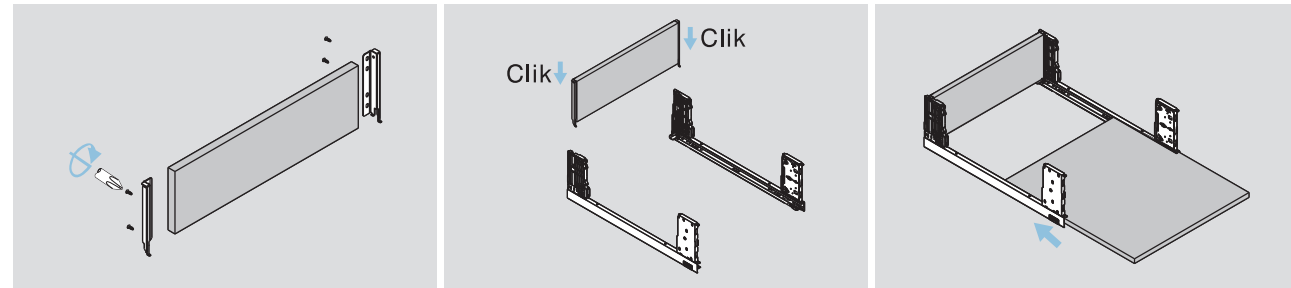
Tip up the cover and pull out

Turn screw driver to release lock 1, then release lock 2, remove the drawer front

Press the locking device under drawer bottom and pull out the drawer

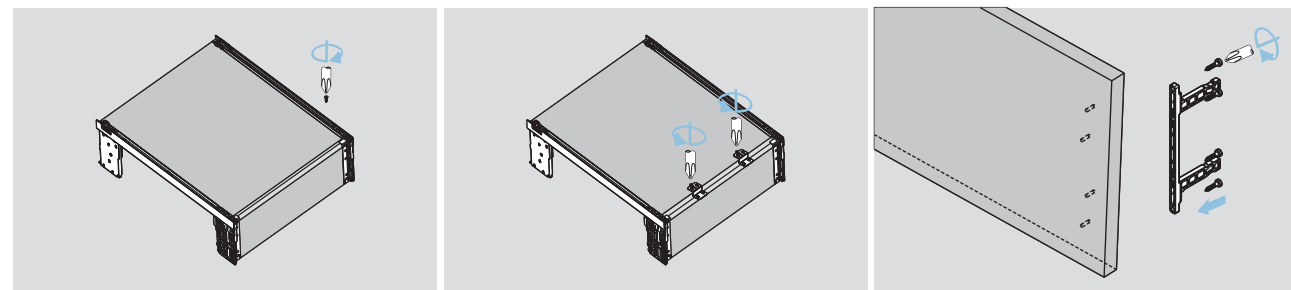
## Assembly and Adjustments

### GLASS DRAWER ASSEMBLY



Back assembly

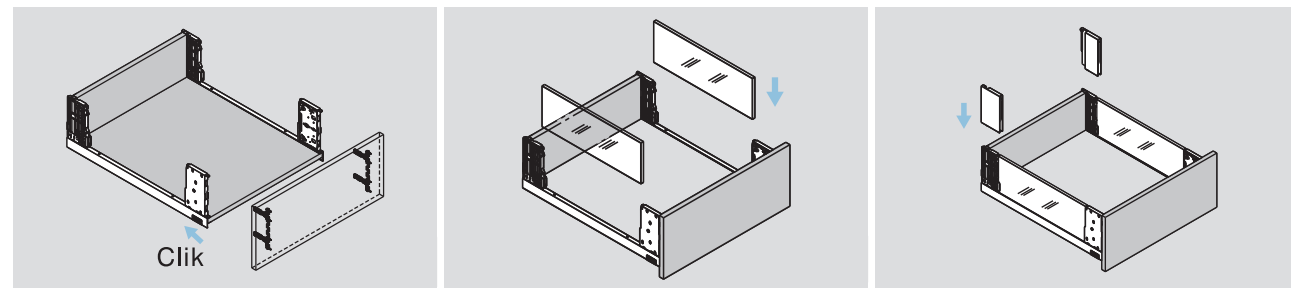
Bottom assembly



Fix screws

It is recommended to use 2 fixing-brackets for drawer width over 400mm.

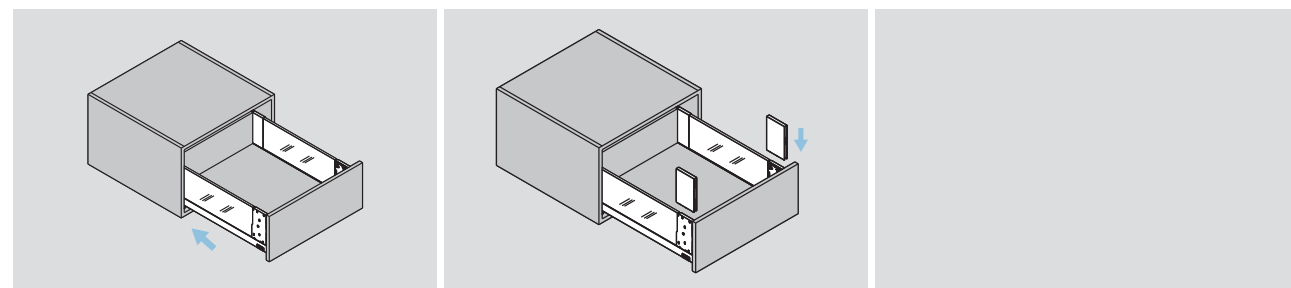
Front assembly



Front assembly

Insert glass-boxside

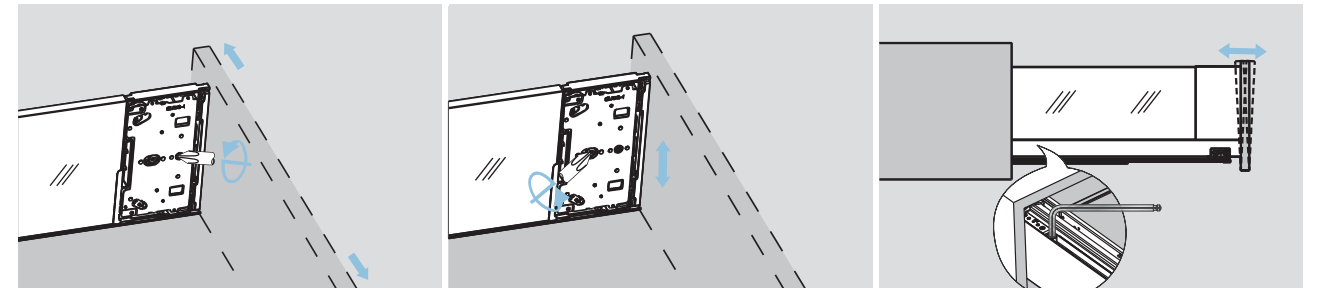
Insert back cover



Slide into the cabinet

Insert front cover

### ADJUSTMENTS FOR GLASS HIGH DRAWER

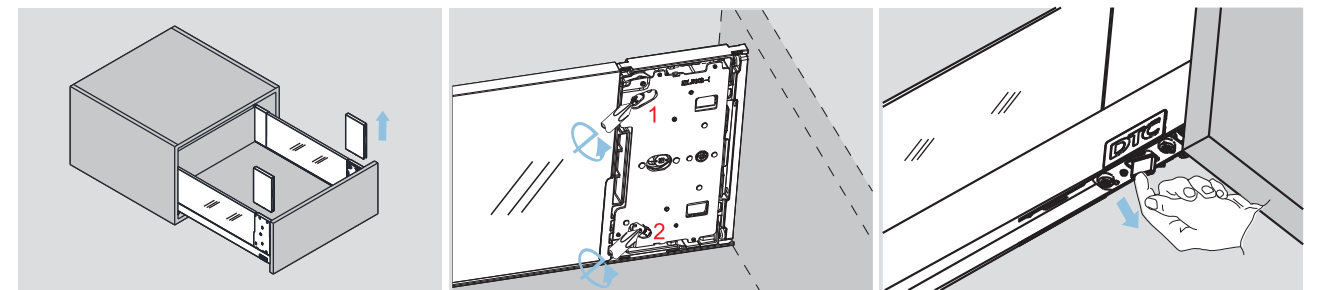


Left & right adjustment

Up & down adjustment

Tilt adjustment (by M3 Allen key)

### REMOVAL OF GLASS HIGH DRAWER

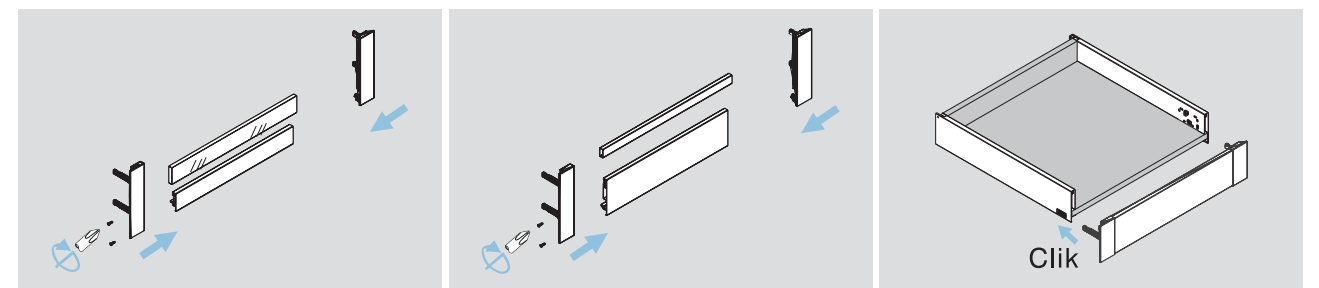
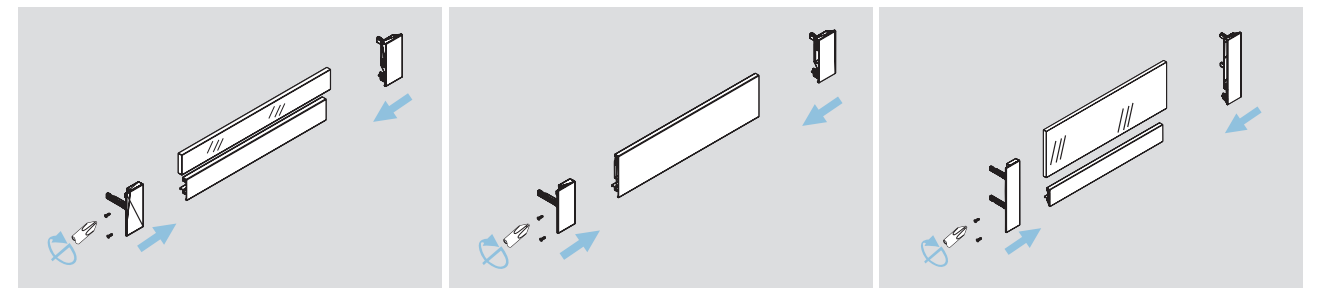


Pull out front cover

Turn screw driver to release lock 1, then release lock 2, remove the drawer front

Press the locking device under drawer bottom and pull out the drawer

### INNER DRAWER FRONT ASSEMBLY



Clik



## Marking Jigs

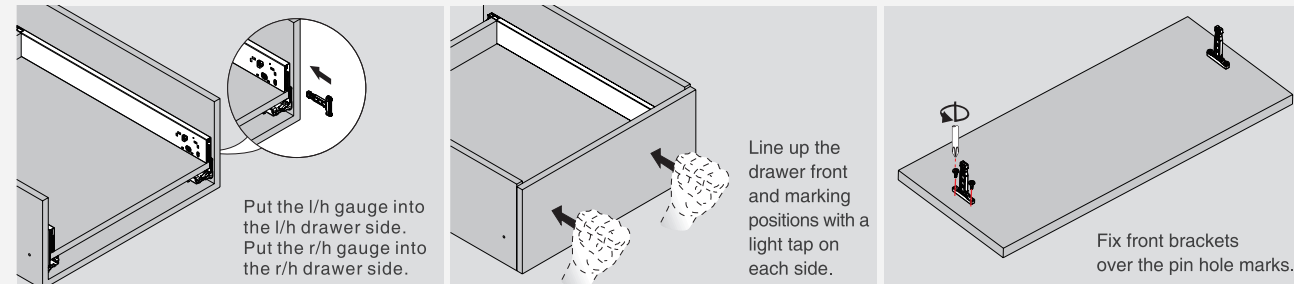
### Front Panel Marking Jig for Low Drawer M Height

#### ORDER INFORMATION

DESCRIPTION	ITEM NUMBER	SET/CTN
Marking Jig for M Height drawer	DMA-088JFP	1



#### APPLICATION



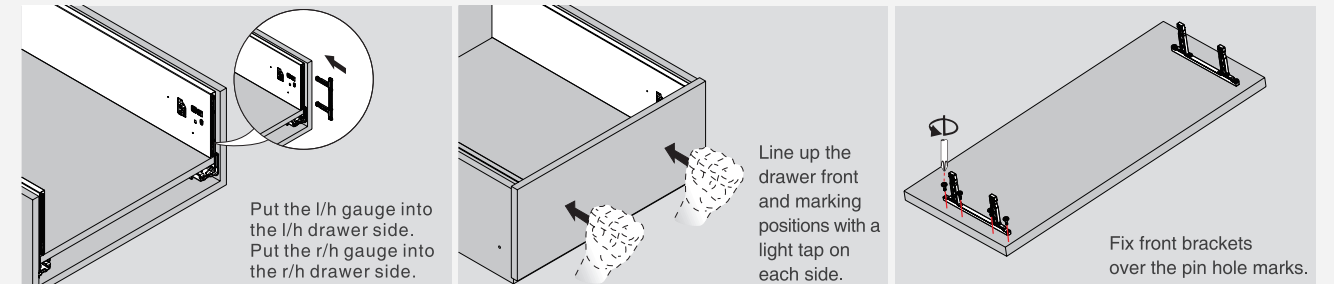
### Front Panel Marking Jig for High Drawer C/F Height

#### ORDER INFORMATION

DESCRIPTION	ITEM NUMBER	SET/CTN
Marking Jig for C/F Height drawers	DMA-172JFP	1



#### APPLICATION



## Accessories

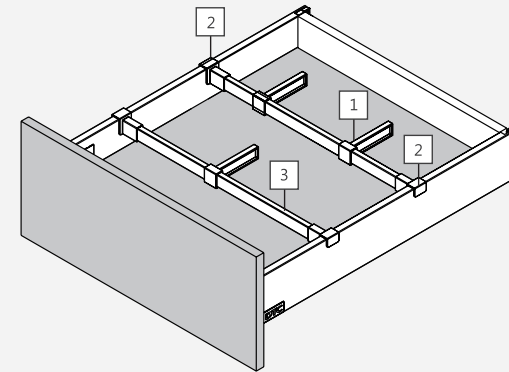
### Dividing Accessories

#### ORDER INFORMATION

DESCRIPTION	SILK WHITE	GREY MATT	BLACK	SET/CTN
Divider	DM1-DIVIDER	DM2-DIVIDER	DM5-DIVIDER	60
Square Cross Rail Connector	DM1-SQCONW	DM2-SQCONG	DM5-SQCONB	60
1100mm Square Cross Rail	DM1-SQRILW	DM2-SQRILG	DM5-SQRILB	20

#### Dividing Components

- 1  1 pc **Divider**
- 2  1 pc **Square Cross Rail Connector**
- 3  1 pc **1100mm Square Cross Rail**  
Cutting: Internal cabinet width LW-72



### U-Shape Drawer Bracket for Under Sink Drawers

#### ORDER INFORMATION

ITEM NUMBER	DESCRIPTION
DM1-UBV	White U-Shape Drawer Bracket



### SS Cutlery Tray

#### ORDER INFORMATION

ITEM NUMBER	DESCRIPTION
KCT03-450	Stainless Steel Cutlery Tray (D=450)
KCT03-500	Stainless Steel Cutlery Tray (D=500)
KCT03-550	Stainless Steel Cutlery Tray (D=550)



## Accessories

### Front Fixing Brackets

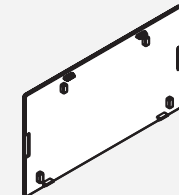
#### ORDER INFORMATION

ITEM NUMBER	DESCRIPTION	DRAWER HEIGHT	
DMA-088IFXS DMA-088IFXD	Screw-on Exp-Dowel	88mm 88mm	
DMA-126IFXS DMA-126IFXD	Screw-on Exp-Dowel	126mm 126mm	
DMA-172IFXS DMA-172IFXD	Screw-on Exp-Dowel	172/238mm 172/238mm	

### Inner Cover Cap Set

#### ORDER INFORMATION

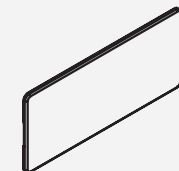
ITEM NUMBER	DESCRIPTION	COLOUR
DM1-INCAP	Inner Cover Cap Set NO logo	Silk White
DM2-INCAP	Inner Cover Cap Set NO logo	Grey Matt
DM5-INCAP	Inner Cover Cap Set NO logo	Black



### Outer Cover Cap Set

#### ORDER INFORMATION

ITEM NUMBER	DESCRIPTION	COLOUR
DM1-OTCAP	Outer Cover Cap Set NO logo	Silk White
DM2-OTCAP	Outer Cover Cap Set NO logo	Grey Matt
DM5-OTCAP	Outer Cover Cap Set NO logo	Black



	HEIGHT	LOAD	DEPTH	WHITE	GREY	BLACK	GLASS BOXSIDE	10MM INNER GLASS FRONT	SOFT CLOSE	PUSH OPEN	
SOFT CLOSE STANDARD DRAWERS	N - 62.5mm	40kg	450	DM1-062450	-	-			✓	-	SOFT CLOSE STANDARD DRAWERS
			500	DM1-062500	-	-			✓	-	
	M - 88mm	40kg	270	DM1-088270	DM2-088270	DM5-088270			✓	-	
			350	DM1-088350	DM2-088350	DM5-088350			✓	-	
			400	DM1-088400	DM2-088400	DM5-088400			✓	-	
			450	DM1-088450	DM2-088450	DM5-088450			✓	-	
			500	DM1-088500	DM2-088500	DM5-088500			✓	-	
	K - 126mm	40kg	270	DM1-126270	DM2-126270	DM5-126270			✓	-	
			350	DM1-126350	DM2-126350	DM5-126350			✓	-	
			400	DM1-126400	DM2-126400	DM5-126400			✓	-	
			450	DM1-126450	DM2-126450	DM5-126450			✓	-	
			500	DM1-126500	DM2-126500	DM5-126500			✓	-	
	C - 172mm	40kg	270	DM1-172270	DM2-172270	DM5-172270			✓	-	
			350	DM1-172350	DM2-172350	DM5-172350			✓	-	
			400	DM1-172400	DM2-172400	DM5-172400			✓	-	
			450	DM1-172450	DM2-172450	DM5-172450			✓	-	
			500	DM1-172500	DM2-172500	DM5-172500			✓	-	
	C - 172mm	60kg	500	DM1-172500KG60	-	DM5-172500KG60			✓	-	
			550	DM1-172550KG60	-	DM5-172550KG60			✓	-	
	F - 238mm	40kg	270	DM1-238270	DM2-238270	DM5-238270			✓	-	
			350	DM1-238350	DM2-238350	DM5-238350			✓	-	
			400	DM1-238400	DM2-238400	DM5-238400			✓	-	
			450	DM1-238450	DM2-238450	DM5-238450			✓	-	
			500	DM1-238500	DM2-238500	DM5-238500			✓	-	
F - 238mm	60kg	500	DM1-238500KG60	-	DM5-238500KG60			✓	-		
		550	DM1-238550KG60	-	DM5-238550KG60			✓	-		
INNER DRAWERS	M - 88mm	40kg	Front Fixing Brackets	DM1-088IFXW	DM1-088IFXG	DM1-088IFXB			✓	✓	
			1100mm Front Panel	DM1-IP1100W	DM1-IP1100G	DM1-IP1100B			✓	✓	
C - 172mm	40/60kg	Front Fixing Brackets	DM1-172IFXW	DM1-172IFXG	DM1-172IFXB			✓	✓		
			1100mm Front Panel	DM1-IP1100W	DM1-IP1100G	DM1-IP1100B			✓	✓	
		Square Cross Rail	DM1-SQRAILW	DM1-SQRAILG	DM1-SQRAILB			✓	✓		
SOFT CLOSE INNER GLASS DRAWERS	M - 88mm	40kg	1100mm Inner Front Panel	DM3-GIP1100W	DM3-GIP1100G	DM3-GIP1100B			✓	-	
			46/88mm Front Fixing Brackets	DM3-WIFX088046	DM3-GIFX088046	DM3-BIFX088046			✓	-	
			400				DM3-SGB08854400	DM3-IFG08846400	✓	-	
			450				DM3-SGB08854450	DM3-IFG08846450	✓	-	
			500				DM3-SGB08854500	DM3-IFG08846500	✓	-	
			550					DM3-IFG08846550	✓	-	
	C FULL - 172mm	40kg	1100mm Inner Front Panel	DM3-GIP1100W	DM3-GIP1100G	DM3-GIP1100B			✓	-	
			132/172mm Front Fixing Brackets	DM3-WIFX172132	DM3-GIFX172132	DM3-BIFX172132			✓	-	
			400				DM3-SGB172140400	DM3-IFG172132400	✓	-	
			450				DM3-SGB172140450	DM3-IFG172132450	✓	-	
			500				DM3-SGB172140500	DM3-IFG172132500	✓	-	
			550					DM3-IFG172132550	✓	-	
	C HALF - 172mm	40kg	1100mm Inner Front Panel	DM3-GIP1100W	DM3-GIP1100G	DM3-GIP1100B			✓	-	
			46/172mm Front Fixing Brackets	DM3-WIFX172046	DM3-GIFX172046	DM3-BIFX172046			✓	-	
400						DM3-SGB172140400	DM3-IFG08846400	✓	-		
450						DM3-SGB172140450	DM3-IFG08846450	✓	-		
500						DM3-SGB172140500	DM3-IFG08846500	✓	-		
550							DM3-IFG08846550	✓	-		
SOFT CLOSE GLASS DRAWERS	M - 88mm	40kg	400	DM3-W088400	-	DM3-B088400	DM3-SGB08854400	DM3-IFG08846400	✓	-	
			450	DM3-W088450	-	DM3-B088450	DM3-SGB08854450	DM3-IFG08846450	✓	-	
			500	DM3-W088500	-	DM3-B088500	DM3-SGB08854500	DM3-IFG08846500	✓	-	
	C - 172mm	40kg	400	DM3-W172400	-	DM3-B172400	DM3-SGB172140400	DM3-IFG172132400	✓	-	
			450	DM3-W172450	-	DM3-B172450	DM3-SGB172140450	DM3-IFG172132450	✓	-	
			500	DM3-W172500	-	DM3-B172500	DM3-SGB172140500	DM3-IFG172132500	✓	-	
PUSH OPEN DRAWERS	M - 88mm	40kg	400	DM4-W088400	-	DM4-B088400			-	✓	
			450	DM4-W088450	-	DM4-B088450			-	✓	
			500	DM4-W088500	-	DM4-B088500			-	✓	
	K - 126mm	40kg	400	DM4-W126400	-	DM4-B126400			-	✓	
			450	DM4-W126450	-	DM4-B126450			-	✓	
			500	DM4-W126500	-	DM4-B126500			-	✓	
	C - 172mm	40kg	400	DM4-W172400	-	DM4-B172400			-	✓	
			450	DM4-W172450	-	DM4-B172450			-	✓	
			500	DM4-W172500	-	DM4-B172500			-	✓	
			500	DM4-W172500	-	DM4-B172500			-	✓	
F - 238mm	40kg	400	DM4-W238400	-	DM4-B238400			-	✓		
		450	DM4-W238450	-	DM4-B238450			-	✓		
		500	DM4-W238500	-	DM4-B238500			-	✓		







# Lek

**Phone:** 1300 489 399  
**Email:** [info@leksupply.com.au](mailto:info@leksupply.com.au)  
**Website:** [www.leksupply.com.au](http://www.leksupply.com.au)

**VIC Head Office**  
37-41 Letcon Drive  
Bangholme, VIC 3175

**NSW**  
96 Newton Road,  
Wetherill Park, NSW 2164

**QLD**  
8/62 Crockford St,  
Northgate, QLD 4013

**SA**  
41 Weaver Street,  
Edwardstown, SA 5039