



On the cutting edge:
Drawer system InnoTech Atira

Technik für Möbel



InnoTech Atira double walled drawer system



Striking, versatile, flexible – the InnoTech Atira drawer system impresses the moment you set eyes on it. Sharp contours, a choice of colours and diverse side elements

produce plenty of creative potential. Added to this are many different interior organisation solutions.









Outstanding: clear cut styling meets tried and proven technology. InnoTech Atira comes with clean cut contours full of character and excels on performance.

One for all: thanks to the Hettich platform concept, all design solutions are based on a single drawer side profile. This also makes upgrading incredibly easy.

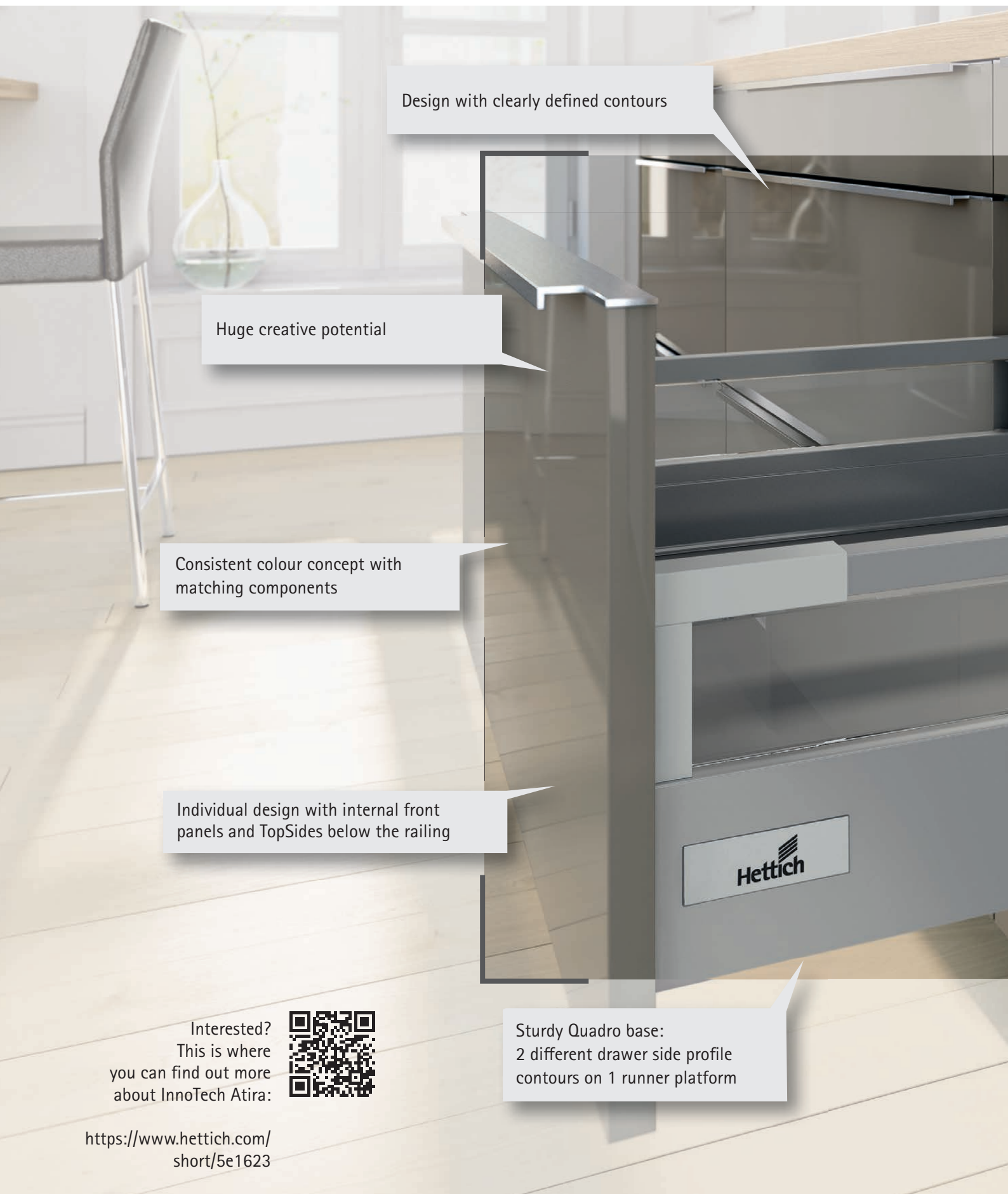
Perfect combination from any viewing angle: all components are colour coordinated.

Striking lines on the outside, structured organisation inside: Interior organisation options make it possible to divide up storage space in drawers of all sizes to suit individual requirements.

	Everything in one document. Always the right packaging concept	6 - 9
	Powder coated steel, silver Range summary	10 - 11
	Powder coated steel, white Range summary	60 - 61
	Quadro drawer runners Range summary	111
	Accessories <ul style="list-style-type: none">► Waste systems - summary► Assembly machinery - summary	123 139
	Technical Information <ul style="list-style-type: none">► Planning dimensions► Assembly, adjustment, removal► Quality criteria Order number index	145 - 153 154 - 161 162 163 - 170

InnoTech Atira double walled drawer system

► Benefits at a glance



Design with clearly defined contours

Huge creative potential

Consistent colour concept with matching components

Individual design with internal front panels and TopSides below the railing

Sturdy Quadro base:
2 different drawer side profile contours on 1 runner platform

Interested?
This is where
you can find out more
about InnoTech Atira:



<https://www.hettich.com/short/5e1623>

Platform concept: for creating marks of distinction with lean and efficient processes in production and warehousing

Fast and easy installation

Easy to change from railing to TopSide

4 heights, 7 lengths 260 – 620 mm

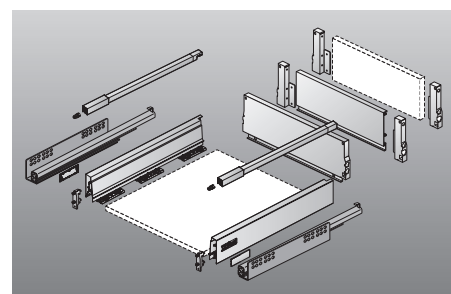
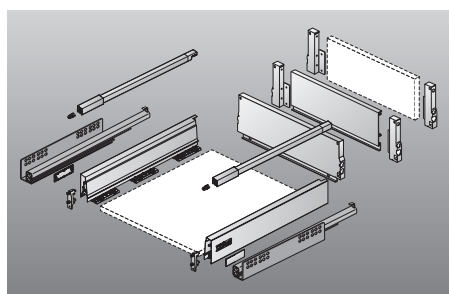
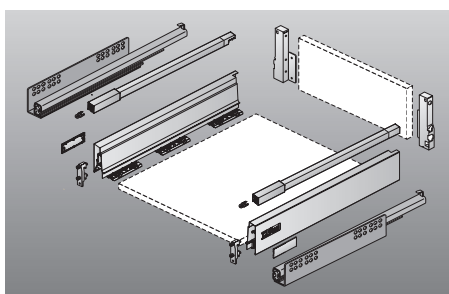
Secure and sturdy connection between drawer and runner

Quadro runner:
great performance,
perfect reveal alignment

Full extension runner with
Silent System and Push to open

InnoTech Atira double walled drawer system

- ▶ Everything in one document. Always the right packaging concept.
- ▶ Summary



■ All inclusive sets, set packaging

- ▶ All components neatly packed in one carton
- ▶ Ease of ordering

■ Bulk sets with an option to choose the right Quadro runner

- ▶ Order process in two steps
- ▶ One code for all components except the Quadro runner
- ▶ Option to choose your Quadro runner separately

■ Bulk pack

- ▶ Bulk components for high volume users
- ▶ Ease of ordering by using only one virtual code and all components being supplied
- ▶ Order in multiples of 18



InnoTech Atira double walled drawer system

- ▶ Everything in one document. Always the right packaging concept.
- ▶ All inclusive sets, set packaging

All inclusive sets, set packaging

Ordering process made easy. In just one step you order your kit with all components.

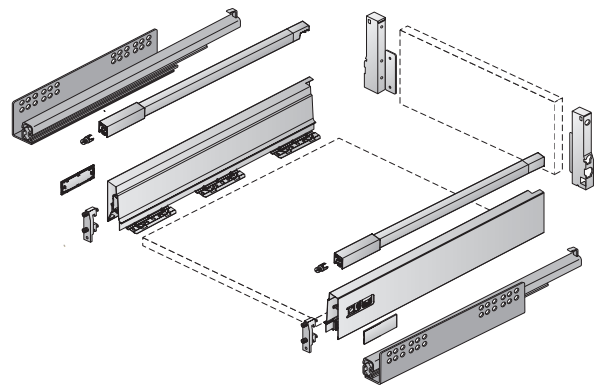


All inclusive sets, set packaging

Example:

Pot-and-pan drawer in silver with lengthwise railing, height 144 mm, nominal length 470 mm, rear panel connectors, Quadro V6 runner with Silent System, EB 12.5 mm

1. Select the drawer profile including height, nominal length and finish



1. Pot-and-pan drawer set with lengthwise railing

Set comprises:

- ▶ 1 Drawer side profile, left and right
- ▶ 2 Drawer front connectors for drawer side profile with expanding dowel
- ▶ 2 Cover caps, grey plastic with Hettich logo
- ▶ 1 Lengthwise railing, left and right
- ▶ 2 Drawer front connectors for lengthwise railing with expanding dowel
- ▶ 1 Rear panel connector, left and right
- ▶ 1 Drawer runner Quadro V6 with Silent System, left and right

Nominal length mm	Order no.	PU
420	9 214 801	1 set
470	9 214 817	1 set
520	9 214 823	1 set

InnoTech Atira double walled drawer system

- ▶ Everything in one document. Always the right packaging concept.
- ▶ All inclusive sets, bulk packaging

All inclusive sets, bulk packaging

Order process in two steps. One product code for all components and one for your choice of Quadro runner e.g. Quadro V6 / V6+ with Silent system or Push to open.



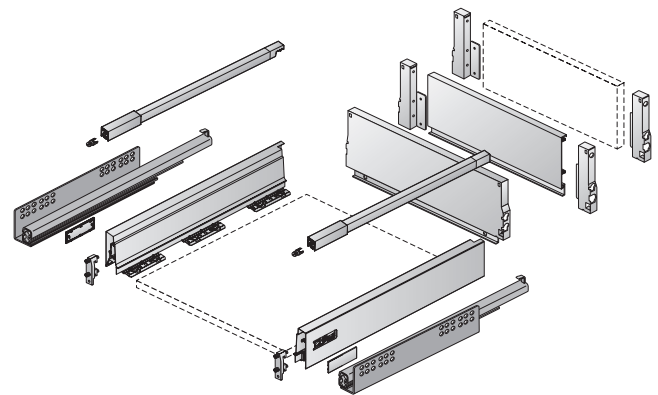
All inclusive sets, bulk packaging

Example:

Pot-and-pan drawer in silver with lengthwise railing, height 144 mm, nominal length 470 mm, rear panel connectors, Quadro V6 runner with Silent System, EB 12.5 mm

1. Select the drawer side profile, including height, nominal length and finish

2. Type of runner



1. Pot-and-pan drawer set with lengthwise railing

Set comprises:

- ▶ 1 Drawer side profile, left and right
- ▶ 2 Drawer front connectors for drawer side profile with expanding dowel
- ▶ 2 Cover caps, grey plastic with Hettich logo
- ▶ 1 Lengthwise railing, left and right
- ▶ 2 Drawer front connectors for lengthwise railing with expanding dowel
- ▶ 1 Rear panel connector, left and right
- ▶ 1 Drawer runner Quadro V6 with Silent System, left and right
- ▶ 1 Drawer side profile, left and right
- ▶ **Optional:** 1 Drawer runner Quadro V6 with Silent System, left and right or for sets without Quadro see page XXX

Nominal length mm	Order no.		PU
	Pot-and-pan drawer with Quadro	Pot-and-pan drawer without Quadro	
260	9 216 513	9 216 553	18 sets
300	9 216 514	9 216 554	18 sets
350	9 216 515	9 216 555	18 sets
420	9 216 516	9 216 556	18 sets
470	9 216 517	9 216 557	18 sets
520	9 216 518	9 216 558	18 sets
620		9 216 559	18 sets

2. Quadro V6 drawer runner



Nominal length mm	Order no.		PU
	left	right	
260	9 118 019	9 118 020	20 ea.
300	9 117 988	9 117 991	20 ea.
350	9 118 013	9 118 014	20 ea.
420	9 101 300	9 101 301	20 ea.
470	9 118 054	9 118 055	20 ea.
520	9 118 016	9 118 018	20 ea.

InnoTech Atira double walled drawer system

- ▶ Everything in one document. Always the right packaging concept.
- ▶ Bulk kits

Bulk kits

The ideal solution for high volume users. Ordering process made easy by just using ONE code and all components including your Quadro V 6 30 kg is being supplied

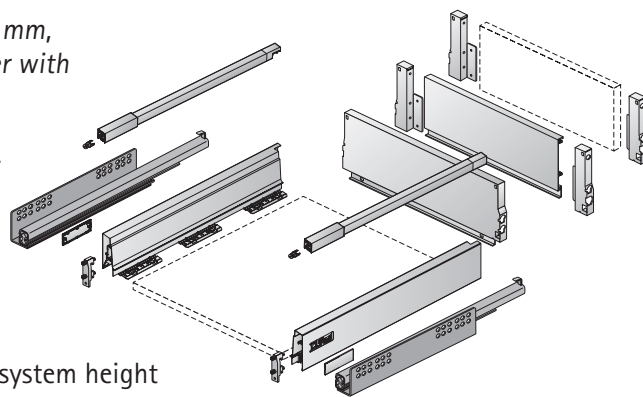


Bulk kits components

Example:

Pot-and-pan drawer in silver with lengthwise railing, height 144 mm, nominal length 470 mm, rear panel connectors, Quadro V6 runner with Silent System, EB 12.5 mm

1. Drawer side profile
2. Drawer front connector for drawer side profile
3. Cover cap
4. Drawer front connector for side element
5. Side element for pot-and-pan drawers
6. Rear panel connector / system height
7. Type of runner



1. Drawer side profile



Nominal length mm	Order no.		PU
	left	right	
260	9 194 390	9 194 391	18 ea.
300	9 194 392	9 194 393	18 ea.
350	9 194 394	9 194 395	18 ea.
420	9 194 396	9 194 397	18 ea.
470	9 194 398	9 194 399	18 ea.
520	9 194 400	9 194 401	18 ea.
620	9 194 402	9 194 403	18 ea.

2. Drawer front connector for drawer side profile

- ▶ White plastic



Mounting option	Order no.	PU
for screwing on	1 065 191	1/400 each
with expanding socket	1 061 450	1/400 each

3. Cover cap

- ▶ Plastic
- ▶ Cover cap with customised imprint available on request



Finish	Order no.	PU
grey with Hettich logo	9 194 646	1/300 each
grey	9 194 643	1/300 each
chrome look with Hettich logo	9 194 652	1/300 each
chrome look	9 194 649	1/300 each

4. Drawer front connector for lengthwise railing

- ▶ White plastic



Mounting option	Order no.	PU
for screwing on	9 002 503	1/400 each
with expanding socket	1 061 965	1/400 each

5. Lengthwise railing



Nominal length mm	Order no.		PU
	left	right	
260	9 194 522	9 194 523	80 ea.
300	9 194 524	9 194 525	80 ea.
350	9 194 526	9 194 527	80 ea.
420	9 194 528	9 194 529	80 ea.
470	9 194 530	9 194 531	80 ea.
520	9 194 532	9 194 533	80 ea.
620	9 194 534	9 194 535	80 ea.

6. Rear panel connector

- ▶ For wooden or aluminium rear panel



Nominal height mm	Order no.		PU
	left	right	
144	9 007 355	9 007 356	80 ea.

7. Quadro V6 drawer runner



Nominal length mm	Order no.		PU
	left	right	
260	9 118 019	9 118 020	20 ea.
300	9 117 988	9 117 991	20 ea.
350	9 118 013	9 118 014	20 ea.
420	9 101 300	9 101 301	20 ea.
470	9 118 054	9 118 055	20 ea.
520	9 118 016	9 118 018	20 ea.

InnoTech Atira double walled drawer system

- ▶ Range summary
- ▶ Powder coated steel, silver



Drawer, height 54 mm

12 - 13



Drawer, height 70 mm

14 - 16



Internal drawer 100, height 70 mm

18 - 21



Pot-and-pan drawer with railing, height 144 mm

22 - 25



Internal pot-and-pan drawer 100 with railing, height 144 mm

26 - 29



Pot-and-pan drawer with railing, height 176 mm

30 - 33



Pot-and-pan drawer with railing, customised rear panel height

34 - 36



Drawer with bottom cutout, height 70 mm

38 - 39



Pot-and-pan drawer with bottom cutout, height 144 mm

40 - 42



Narrow base unit

43



Pantry

44



Interior organisers for drawers / internal drawers

45

- ▶ Range summary
- ▶ Powder coated steel, silver



Interior organisation for pot-and-pan drawers /
internal pot-and-pan drawers

45



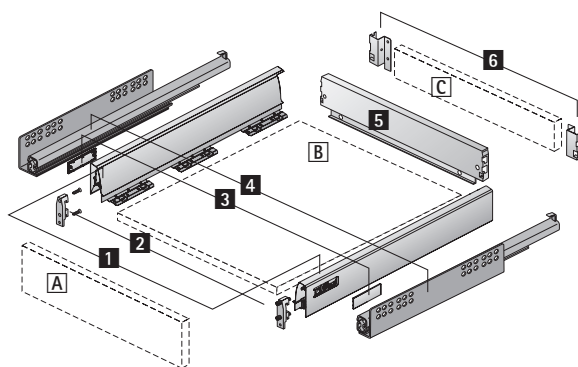
Solutions for bottom cutout

55

- ▶ Drawer, height 54 mm
- ▶ Powder coated steel, silver



Exploded diagram



Components

- 1 Drawer side profile, left and right
- 2 Drawer front connector for drawer side profiles, 2 each
- 3 Cover cap, 2 each
- 4 Quadro drawer runner, left and right, see page 111
- 5 Steel rear panel

Alternatively:

- C Wooden rear panel and
- 6 Rear panel connector, left and right
- A Front panel
- B Bottom panel (material thickness 16 mm)
- C Wooden rear panel (material thickness 16 mm)

Advice

- ▶ For technical information, see pages 145, 154 - 162
- ▶ For Quadro drawer runner, see page 111

- ▶ Drawer, height 54 mm
- ▶ Powder coated steel, silver

Components

1 Drawer side profile

- ▶ Suitable for use under built in ovens



Nominal length mm	Order no.		PU
	left	right	
470	1 063 801	1 063 802	18 ea.

2 Drawer front connector for drawer side profile

- ▶ Plastic, white



Mounting option	Order no.	PU
Screw-on	1 065 191	1/400 ea.
With expanding socket	1 061 450	1/400 ea.

3 Cover cap

- ▶ Plastic
- ▶ Cover cap with customised imprint available on request



Colour / finish	Order no.	PU
Grey with Hettich logo	9 194 646	1/300 ea.
Grey	9 194 643	1/300 ea.
Chrome look with Hettich logo	9 194 652	1/300 ea.
Chrome look	9 194 649	1/300 ea.

5 Steel rear panel

- ▶ For standard carcass width



Carcass width mm	Order no.	PU
600	1 063 806	1/40 ea.

6 Rear panel connector

- ▶ For wooden rear panel

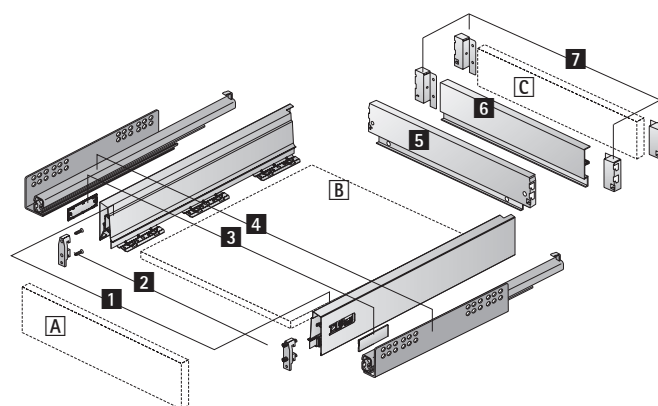


Nominal height mm	Order no.		PU
	left	right	
54	9 003 473	9 003 474	40 ea.

- ▶ Drawer, height 70 mm
- ▶ Powder coated steel, silver



Exploded diagram



Components

- 1 Drawer side profile, left and right
- 2 Drawer front connector for drawer side profiles, 2 each
- 3 Cover cap, 2 each
- 4 Quadro drawer runner, left and right, see page 111
- 5 Steel rear panel (available on request)

Alternatively:

- 6 Aluminium rear panel or C Wooden rear panel and
- 7 Rear panel connector, left and right
- A Front panel
- B Bottom panel (material thickness 16 mm)
- C Wooden rear panel (material thickness 16 mm)

Advice

- ▶ For technical information, see pages 146, 154 - 162
- ▶ For Quadro drawer runner, see page 111

- ▶ **Drawer, height 70 mm**
- ▶ **Powder coated steel, silver**

All inclusive set, set packaging*

Drawer set

Set comprises:

- ▶ **1** 1 Drawer side profile, left and right
- ▶ **2** 2 Drawer front connectors with expanding dowel
- ▶ **3** 2 Cover caps, grey plastic with Hettich logo
- ▶ **7** 1 Rear panel connector, left and right
- ▶ **4** 1 Drawer runner Quadro V6 with Silent System, left and right

Nominal length mm	Order no.	PU
350	9 214 798	1 set
420	9 214 800	1 set
470	9 214 806	1 set
520	9 214 822	1 set

All inclusive set, bulk packaging

Drawer set

Set comprises:

- ▶ **1** 1 Drawer side profile, left and right
- ▶ **2** 2 Drawer front connectors with expanding dowel
- ▶ **3** 2 Cover caps, grey plastic with Hettich logo
- ▶ **7** 1 Rear panel connector, left and right
- ▶ **Optional: 4** 1 Drawer runner Quadro V6 with Silent System, left and right or for sets without Quadro see page 111

Nominal length mm	Order no.		PU
	Drawer with Quadro	Drawer without Quadro	
260	9 216 507	9 216 546	18 sets
300	9 216 508	9 216 547	18 sets
350	9 216 509	9 216 548	18 sets
420	9 216 510	9 216 549	18 sets
470	9 216 511	9 216 550	18 sets
520	9 216 512	9 216 551	18 sets
620		9 216 552	18 sets

*Not available in New Zealand

- ▶ Drawer, height 70 mm
- ▶ Powder coated steel, silver

Components

1 Drawer side profile



Nominal length mm	Order no.		PU
	left	right	
260	9 194 390	9 194 391	18 ea.
300	9 194 392	9 194 393	18 ea.
350	9 194 394	9 194 395	18 ea.
420	9 194 396	9 194 397	18 ea.
470	9 194 398	9 194 399	18 ea.
520	9 194 400	9 194 401	18 ea.
620	9 194 402	9 194 403	18 ea.

2 Drawer front connector for drawer side profile

- ▶ Plastic, white



Mounting option	Order no.	PU
Screw-on	1 065 191	1/400 ea.
With expanding socket	1 061 450	1/400 ea.

3 Cover cap

- ▶ Plastic
- ▶ Cover cap with customised imprint available on request



Colour / finish	Order no.	PU
Grey with Hettich logo	9 194 646	1/300 ea.
Grey	9 194 643	1/300 ea.
Chrome look with Hettich logo	9 194 652	1/300 ea.
Chrome look	9 194 649	1/300 ea.

5 Steel rear panel (available on request)

- ▶ For standard carcass width



Carcass width mm	Order no.	PU
275	1 061 900*	1/40 ea.
300	1 061 901*	1/40 ea.
350	1 061 902*	1/40 ea.
400	1 061 903*	1/40 ea.
450	1 061 904*	1/40 ea.
500	1 061 905*	1/40 ea.
550	1 061 906*	1/40 ea.
600	1 061 907*	1/40 ea.
700	1 063 664*	1/20 ea.
800	1 062 960*	1/20 ea.
900	1 062 961*	1/20 ea.
1000	1 063 667*	1/20 ea.
1200	9 004 102*	1/20 ea.

7 Rear panel connector

- ▶ For wooden or **6** aluminium rear panel



Nominal height mm	Order no.		PU
	left	right	
70	1 062 501	1 062 502	40 ea.

6 Aluminium rear panel

- ▶ For variable or standard carcass width
- ▶ For cutting to length
- ▶ Length 2000 mm
- ▶ Powder coated, silver
- ▶ **7** Rear panel connectors must be ordered separately



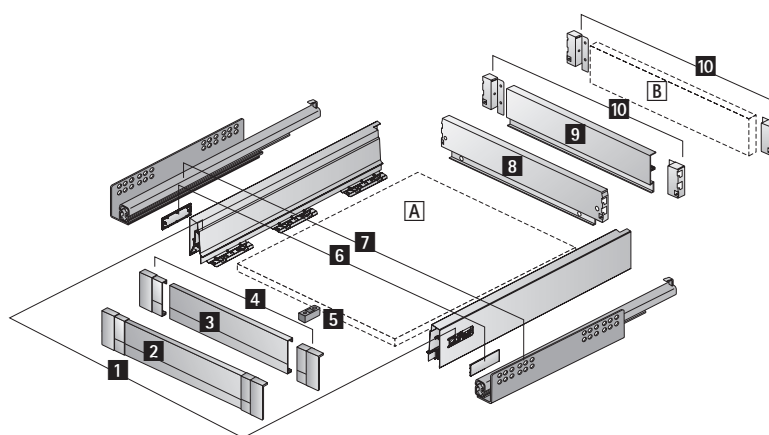
Order no.	PU
0 077 913	1 ea.

*Available on request

- ▶ Internal drawer 100, height 70 mm
- ▶ Powder coated steel, silver



Exploded diagram



Components

- 1 Drawer side profile, left and right
- 2 Front panel
- Alternatively:**
 - 3 Aluminium front panel and
 - 4 Connector for aluminium front panel
- 5 Front stabiliser
- 6 Cover cap, 2 each
- 7 Quadro drawer runner, left and right, see page 111
- 8 Steel rear panel (available on request)
- Alternatively:**
 - 9 Aluminium rear panel or B Wooden rear panel and
 - 10 Rear panel connector, left and right
- A Bottom panel (material thickness 16 mm)
- B Wooden rear panel (material thickness 16 mm)

Advice

- ▶ For technical information, see pages 147, 154 - 162
- ▶ For Quadro drawer runner, see page 111

- ▶ Internal drawer 100, height 70 mm
- ▶ Powder coated steel, silver

All inclusive sets, set packaging*

Drawer set

Set comprises:

- ▶ **1** 1 Drawer side profile, left and right
- ▶ **2** 2 Drawer front connectors with expanding dowel
- ▶ **3** 2 Cover caps, grey plastic with Hettich logo
- ▶ **7** 1 Rear panel connector, left and right
- ▶ **4** 1 Drawer runner Quadro V6 with Silent System, left and right
- ▶ Components for internal front panel must be ordered separately, see page 21

Nominal length mm	Order no.	PU
350	9 214 798	1 set
420	9 214 800	1 set
470	9 214 806	1 set
520	9 214 822	1 set

All inclusive sets, bulk packaging

Internal drawer 100, set

Set comprises:

- ▶ **1** 1 Drawer side profile, left and right
- ▶ **4** 1 set or pair connectors for aluminium front panel
- ▶ **6** 2 Cover caps, grey plastic with Hettich logo
- ▶ **10** 1 Rear panel connector, left and right
- ▶ Internal front panel must be ordered separately, see page 21

Nominal length mm	Order no.	PU
260	9 216 579	18 sets
300	9 216 580	18 sets
350	9 216 581	18 sets
420	9 216 582	18 sets
470	9 216 583	18 sets
520	9 216 584	18 sets
620	9 216 585	18 sets

*Not available in New Zealand

- ▶ Internal drawer 100, height 70 mm
- ▶ Powder coated steel, silver

Components

1 Drawer side profile



Nominal length mm	Order no.		PU
	left	right	
260	9 194 390	9 194 391	18 ea.
300	9 194 392	9 194 393	18 ea.
350	9 194 394	9 194 395	18 ea.
420	9 194 396	9 194 397	18 ea.
470	9 194 398	9 194 399	18 ea.
520	9 194 400	9 194 401	18 ea.
620	9 194 402	9 194 403	18 ea.

6 Cover cap

- ▶ Plastic
- ▶ Cover cap with customised imprint available on request



Colour / finish	Order no.	PU
Grey with Hettich logo	9 194 646	1/300 ea.
Grey	9 194 643	1/300 ea.
Chrome look with Hettich logo	9 194 652	1/300 ea.
Chrome look	9 194 649	1/300 ea.

8 Steel rear panel (available on request)

- ▶ For standard carcass width



Carcass width mm	Order no.	PU
275	1 061 900*	1/40 ea.
300	1 061 901*	1/40 ea.
350	1 061 902*	1/40 ea.
400	1 061 903*	1/40 ea.
450	1 061 904*	1/40 ea.
500	1 061 905*	1/40 ea.
550	1 061 906*	1/40 ea.
600	1 061 907*	1/40 ea.
700	1 063 664*	1/20 ea.
800	1 062 960*	1/20 ea.
900	1 062 961*	1/20 ea.
1000	1 063 667*	1/20 ea.
1200	9 004 102*	1/20 ea.

10 Rear panel connector

- ▶ For wooden or **9** aluminium rear panel



Nominal height mm	Order no.		PU
	left	right	
70	1 062 501	1 062 502	40 ea.

9 Aluminium rear panel

- ▶ For variable or standard carcass width
- ▶ For cutting to length
- ▶ Length 2000 mm
- ▶ powder coated, silver
- ▶ **10** Rear panel connectors must be ordered separately



Order no.	PU
0 077 913	1 ea.

*Available on request

- ▶ Internal drawer 100, height 70 mm
- ▶ Powder coated steel, silver

Front panel for internal drawer

2 Front panel

- ▶ For standard carcass width
- ▶ With premounted connectors
- ▶ Powder coated aluminium, silver / grey plastic



Carcass width mm	Order no.	PU
300	9 194 719	1/20 ea.
400	9 194 720	1/20 ea.
450	9 194 721	1/20 ea.
500	9 194 722	1/20 ea.
600	9 194 723	1/20 ea.
800	9 194 724	1/20 ea.
900	9 194 725	1/20 ea.
1000	9 194 726	1/20 ea.
1200	9 194 727	1/20 ea.

3 Aluminium front panel

- ▶ For variable or standard carcass width
- ▶ For cutting to length
- ▶ Length 2000 mm
- ▶ powder coated, silver
- ▶ **4** Connectors for aluminium front panel must be ordered separately



Order no.	PU
9 194 764	1 ea.

4 Connector for aluminium front panel

- ▶ For combination with **3** aluminium front panel
- ▶ Plastic, grey



Order no.	PU
9 104 107	1 pair

5 Front stabiliser

- ▶ For stabilising wide front panels
- ▶ Recommended for use with carcasses in a width of 600 mm and over
- ▶ Plastic, white

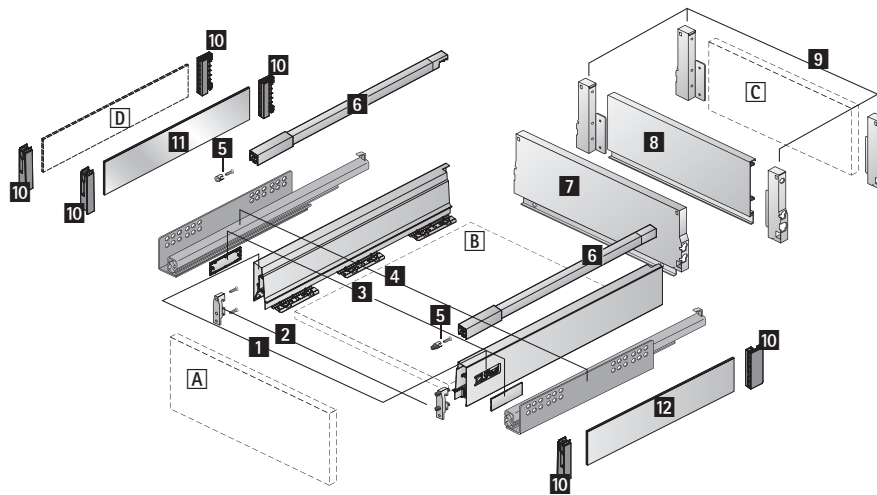


Order no.	PU
9 117 782	1/100 ea.

- ▶ Pot-and-pan drawer with railing, height 144 mm
- ▶ Powder coated steel, silver



Exploded diagram



Components

- 1 Drawer side profile, left and right
- 2 Drawer front connector for drawer side profiles, 2 each
- 3 Cover cap, 2 each
- 4 Quadro drawer runner, left and right, see page 111
- 5 Drawer front connector for lengthwise railing, 2 each
- 6 Lengthwise railing, left and right
- 7 Steel rear panel (available on request)

Alternatively:

- 8 Aluminium rear panel or C Wooden rear panel and
- 9 Rear panel connector, left and right

Optional accessories:

- 10 TopSide adapter
- 11 TopSide in metal

Alternative 1:

- 12 TopSide in glass

Alternative 2:

- D TopSide in any chosen material

- A Front panel
- B Bottom panel (material thickness 16 mm)
- C Wooden rear panel (material thickness 16 mm)
- D TopSide in any chosen material (material thickness 4 mm)

Advice

- ▶ For technical information, see pages 148, 154 - 162
- ▶ For Quadro drawer runner, see page 111

- ▶ Pot-and-pan drawer with railing, height 144 mm
- ▶ Powder coated steel, silver

All inclusive sets, set packaging*

Pot-and-pan drawer set with lengthwise railing

Set comprises:

- ▶ **1** 1 Drawer side profile, left and right
- ▶ **2** 2 Drawer front connectors for drawer side profile with expanding dowel
- ▶ **3** 2 Cover caps, grey plastic with Hettich logo
- ▶ **6** 1 Lengthwise railing, left and right
- ▶ **5** 2 Drawer front connectors for lengthwise railing with expanding dowel
- ▶ **9** 1 Rear panel connector, left and right
- ▶ **4** 1 Drawer runner Quadro V6 with Silent System, left and right

Nominal length mm	Order no.	PU
420	9 214 801	1 set
470	9 214 817	1 set
520	9 214 823	1 set

All inclusive sets, bulk packaging

Pot-and-pan drawer set with lengthwise railing

Set comprises:

- ▶ **1** 1 Drawer side profile, left and right
- ▶ **2** 2 Drawer front connectors for drawer side profile with expanding dowel
- ▶ **3** 2 Cover caps, grey plastic with Hettich logo
- ▶ **6** 1 Lengthwise railing, left and right
- ▶ **5** 2 Drawer front connectors for lengthwise railing with expanding dowel
- ▶ **9** 1 Rear panel connector, left and right
- ▶ **Optional: 4** 1 Drawer runner Quadro V6 with Silent System, left and right **or** for sets without Quadro see page 111

Nominal length mm	Order no.		PU
	Pot-and-pan drawer with Quadro	Pot-and-pan drawer without Quadro	
260	9 216 513	9 216 553	18 sets
300	9 216 514	9 216 554	18 sets
350	9 216 515	9 216 555	18 sets
420	9 216 516	9 216 556	18 sets
470	9 216 517	9 216 557	18 sets
520	9 216 518	9 216 558	18 sets
620		9 216 559	18 sets

*Not available in New Zealand

- ▶ Pot-and-pan drawer with railing, height 144 mm
- ▶ Powder coated steel, silver

Components

1 Drawer side profile



Nominal length mm	Order no.		PU
	left	right	
260	9 194 390	9 194 391	18 ea.
300	9 194 392	9 194 393	18 ea.
350	9 194 394	9 194 395	18 ea.
420	9 194 396	9 194 397	18 ea.
470	9 194 398	9 194 399	18 ea.
520	9 194 400	9 194 401	18 ea.
620	9 194 402	9 194 403	18 ea.

2 Drawer front connector for drawer side profile

- ▶ Plastic, white



Mounting option	Order no.	PU
Screw-on	1 065 191	1/400 ea.
With expanding socket	1 061 450	1/400 ea.

3 Cover cap

- ▶ Plastic
- ▶ Cover cap with customised imprint available on request



Colour / finish	Order no.	PU
Grey with Hettich logo	9 194 646	1/300 ea.
Grey	9 194 643	1/300 ea.
Chrome look with Hettich logo	9 194 652	1/300 ea.
Chrome look	9 194 649	1/300 ea.

6 Lengthwise railing



Nominal length mm	Order no.		PU
	left	right	
260	9 194 522	9 194 523	80 ea.
300	9 194 524	9 194 525	80 ea.
350	9 194 526	9 194 527	80 ea.
420	9 194 528	9 194 529	80 ea.
470	9 194 530	9 194 531	80 ea.
520	9 194 532	9 194 533	80 ea.
620	9 194 534	9 194 535	80 ea.

5 Drawer front connector for lengthwise railing

- ▶ Plastic, white



Mounting option	Order no.	PU
Screw-on	9 002 503	1/400 ea.
With expanding socket	1 061 965	1/400 ea.

7 Steel rear panel (available on request)

- ▶ For standard carcass width



Carcass width mm	Order no.	PU
275	9 004 059*	1/20 ea.
300	9 004 065*	1/20 ea.
350	9 004 067*	1/20 ea.
400	9 004 068*	1/20 ea.
450	9 004 069*	1/20 ea.
500	9 004 070*	1/20 ea.
550	9 004 071*	1/20 ea.
600	9 004 072*	1/20 ea.
700	9 004 073*	1/10 ea.
800	9 004 074*	1/10 ea.
900	9 004 075*	1/10 ea.
1000	9 004 076*	1/10 ea.
1200	9 004 077*	1/10 ea.

*Available on request

- ▶ Pot-and-pan drawer with railing, height 144 mm
- ▶ Powder coated steel, silver

9 Rear panel connector

- ▶ For wooden or **8** aluminium rear panel



Nominal height mm	Order no.		PU
	left	right	
144	9 007 355	9 007 356	40 ea.

10 TopSide adapter

- ▶ For use with **11** TopSide metal / **12** TopSide glass or TopSide in any other chosen material
- ▶ Plastic, grey



Set comprises:

- ▶ 1 adapter, front, left and right
- ▶ 1 adapter, rear, left and right

Order no.	PU
9 194 657	1 set

12 TopSide in glass

- ▶ Float glass, clear
- ▶ **10** TopSide adapters must be ordered separately



Set comprises:

- ▶ 2 TopSides

Nominal length mm	Order no.	PU
260	9 194 663	1 set
300	9 194 664	1 set
350	9 194 665	1 set
420	9 194 666	1 set
470	9 194 667	1 set
520	9 194 668	1 set
620	9 194 669	1 set

8 Aluminium rear panel

- ▶ For variable or standard carcass width
- ▶ For cutting to length
- ▶ Length 2000 mm
- ▶ powder coated, silver
- ▶ **9** Rear panel connectors must be ordered separately



Order no.	PU
0 013 225	1 ea.

11 TopSide in metal

- ▶ **10** TopSide adapters must be ordered separately



Set comprises:

- ▶ 2 TopSides

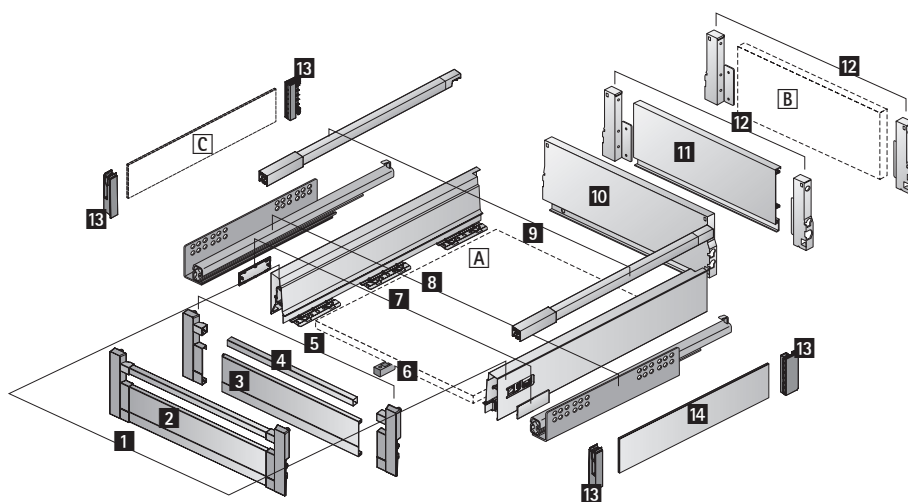
Nominal length mm	Order no.	PU
260	9 194 677	1 set
300	9 194 678	1 set
350	9 194 679	1 set
420	9 194 680	1 set
470	9 194 681	1 set
520	9 194 682	1 set
620	9 194 683	1 set

InnoTech Atira double walled drawer system

- ▶ Internal pot-and-pan drawer 100 with railing, height 144 mm
- ▶ Powder coated steel, silver



Exploded diagram



Components

1 Drawer side profile, left and right

2 Front panel

Alternatively:

3 Aluminium front panel and

4 Railing for aluminium front panel and

5 Connector for aluminium front panel

6 Front stabiliser

7 Cover cap, 2 each

8 Quadro drawer runner, left and right, see page 111

9 Lengthwise railing, left and right

10 Steel rear panel (available on request)

Alternatively:

11 Aluminium rear panel or **B** Wooden rear panel and

12 Rear panel connector, left and right

Optional accessories:

13 TopSide adapter

14 TopSide in metal

Alternatively:

C TopSide in any chosen material

A Bottom panel (material thickness 16 mm)

B Wooden rear panel (material thickness 16 mm)

C TopSide in any chosen material (material thickness 4 mm)

Advice

- ▶ For technical information, see pages 149, 154 - 162
- ▶ For Quadro drawer runner, see page 111

InnoTech Atira double walled drawer system



- ▶ Internal pot-and-pan drawer 100 with railing, height 144 mm
- ▶ Powder coated steel, silver

All inclusive sets, bulk packaging

Internal pot-and-pan drawer 100, set

Set comprises:

- ▶ **1** 1 Drawer side profile, left and right
- ▶ **2** 1 set (pair) of connectors for aluminium front panel
- ▶ **7** 2 Cover caps, grey plastic with Hettich logo
- ▶ **9** 1 Lengthwise railing, left and right
- ▶ **12** 1 Rear panel connector, left and right

Note:

- ▶ Internal front panel and front railing must be ordered separately, see page 29

Nominal length mm	Order no.	PU
350	9 216 586	18 sets
420	9 216 587	18 sets
470	9 216 588	18 sets
520	9 216 589	18 sets
620	9 216 590	18 sets

- ▶ Internal pot-and-pan drawer 100 with railing, height 144 mm
- ▶ Powder coated steel, silver

Components

1 Drawer side profile



Nominal length mm	Order no.		PU
	left	right	
350	9 194 394	9 194 395	18 ea.
420	9 194 396	9 194 397	18 ea.
470	9 194 398	9 194 399	18 ea.
520	9 194 400	9 194 401	18 ea.
620	9 194 402	9 194 403	18 ea.

7 Cover cap

- ▶ Plastic
- ▶ Cover cap with customised imprint available on request



Colour / finish	Order no.	PU
Grey with Hettich logo	9 194 646	1/300 ea.
Grey	9 194 643	1/300 ea.
Chrome look with Hettich logo	9 194 652	1/300 ea.
Chrome look	9 194 649	1/300 ea.

9 Lengthwise railing



Nominal length mm	Order no.		PU
	left	right	
350	9 194 566	9 194 567	80 ea.
420	9 194 568	9 194 569	80 ea.
470	9 194 570	9 194 571	80 ea.
520	9 194 572	9 194 573	80 ea.
620	9 194 574	9 194 575	80 ea.

10 Steel rear panel (available on request)

- ▶ For standard carcass width



Carcass width mm	Order no.	PU
275	9 004 059*	1/20 ea.
300	9 004 065*	1/20 ea.
350	9 004 067*	1/20 ea.
400	9 004 068*	1/20 ea.
450	9 004 069*	1/20 ea.
500	9 004 070*	1/20 ea.
550	9 004 071*	1/20 ea.
600	9 004 072*	1/20 ea.
700	9 004 073*	1/10 ea.
800	9 004 074*	1/10 ea.
900	9 004 075*	1/10 ea.
1000	9 004 076*	1/10 ea.
1200	9 004 077*	1/10 ea.

12 Rear panel connector

- ▶ For wooden or **11** aluminium rear panel



Nominal height mm	Order no.		PU
	left	right	
144	9 007 355	9 007 356	40 ea.

11 Aluminium rear panel

- ▶ For variable or standard carcass width
- ▶ For cutting to length
- ▶ Length 2000 mm
- ▶ Powder coated, silver
- ▶ **12** Rear panel connectors must be ordered separately



Order no.	PU
0 013 225	1 ea.

13 TopSide adapter

- ▶ For use with **14** TopSide metal or TopSide in any other chosen material
- ▶ Plastic, grey



Set comprises:

- ▶ 1 adapter, front, left and right
- ▶ 1 adapter, rear, left and right

Order no.	PU
9 194 657	1 set

14 TopSide in metal

- ▶ **13** TopSide adapters must be ordered separately

Set comprises:

- ▶ 2 TopSides



Nominal length mm	Order no.	PU
350	9 206 215	1 set
420	9 206 216	1 set
470	9 206 219	1 set
520	9 206 221	1 set
620	9 206 222	1 set

*Available on request

- ▶ Internal pot-and-pan drawer 100 with railing, height 144 mm
- ▶ Powder coated steel, silver

Front panel for internal pot-and-pan drawer

2 Front panel

- ▶ For standard carcass width
- ▶ With premounted connectors and premounted railing
- ▶ Powder coated aluminium, silver / grey plastic



Carcass width mm	Order no.	PU
300	9 194 770	1/20 ea.
400	9 194 771	1/20 ea.
450	9 194 772	1/20 ea.
500	9 194 773	1/20 ea.
600	9 194 774	1/20 ea.
800	9 194 775	1/20 ea.
900	9 194 776	1/20 ea.
1000	9 194 777	1/20 ea.
1200	9 194 778	1/20 ea.

3 Aluminium front panel

- ▶ For variable or standard carcass width
- ▶ For cutting to length
- ▶ Length 2000 mm
- ▶ powder coated, silver
- ▶ **4** Railing and **5** connectors for aluminium front panel must be ordered separately



Order no.	PU
9 194 764	1 ea.

4 Railing for aluminium front panel

- ▶ Steel
- ▶ For variable or standard carcass width
- ▶ For cutting to length
- ▶ Length 2000 mm
- ▶ **3** Aluminium front panel and **5** connectors for aluminium front panel must be ordered separately



Article name	Length mm	Order no.	PU
Crosswise railing	2000	9 194 614	1/30 ea.

6 Front stabiliser

- ▶ For stabilising wide front panels
- ▶ Recommended for use with carcasses in a width of 600 mm and over
- ▶ Plastic, white



Order no.	PU
9 117 782	1/100 ea.

5 Connector for aluminium front panel

- ▶ For combination with **3** aluminium front panel and **4** railing for aluminium front panel
- ▶ Plastic, grey



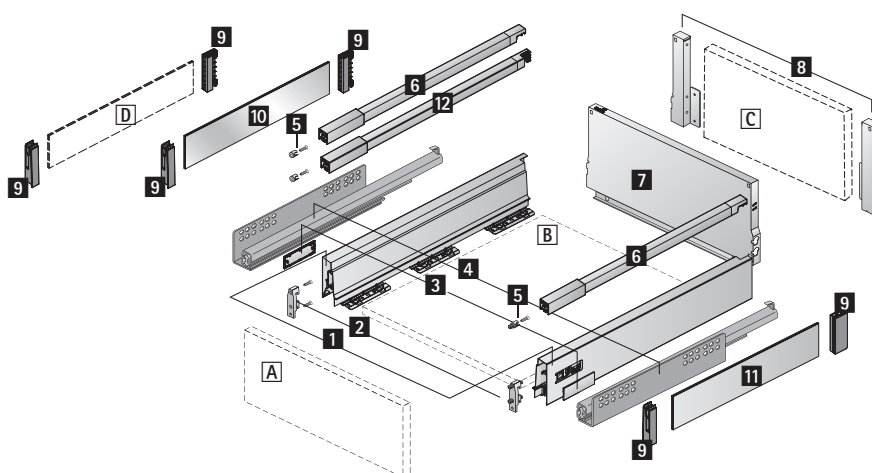
Order no.	PU
9 204 257	1 pair

InnoTech Atira double walled drawer system

- ▶ Pot-and-pan drawer with railing, height 176 mm
- ▶ Powder coated steel, silver



Exploded diagram



Components

- 1 Drawer side profile, left and right
- 2 Drawer front connector for drawer side profiles, 2 each
- 3 Cover cap, 2 each
- 4 Quadro drawer runner, left and right, see page 111
- 5 Drawer front connector for lengthwise railing, 2 each
- 6 Lengthwise railing, left and right
- 7 Steel rear panel (available on request)

Alternatively:

- C Wooden rear panel and
- 8 Rear panel connector, left and right

Optional accessories:

- 9 TopSide adapter and
- 10 TopSide in metal

Alternative 1:

- 9 TopSide adapter and
- 11 TopSide in glass

Alternative 2:

- 9 TopSide adapter and
- D TopSide in any chosen material

Alternative 3:

- 12 Double railing and
- 5 Drawer front connector for lengthwise railing, 2 each

- A Front panel
- B Bottom panel (material thickness 16 mm)
- C Wooden rear panel (material thickness 16 mm)
- D TopSide in any chosen material (material thickness 4 mm)

Advice

- ▶ For technical information, see pages 150, 154 - 162
- ▶ For Quadro drawer runner, see page 111

- ▶ Pot-and-pan drawer with railing, height 176 mm
- ▶ Powder coated steel, silver

All inclusive sets, set packaging*

Pot-and-pan drawer set with lengthwise railing

Set comprises:

- ▶ **1** 1 Drawer side profile, left and right
- ▶ **2** 2 Drawer front connectors for drawer side profile with expanding dowel
- ▶ **3** 2 Cover caps, grey plastic with Hettich logo
- ▶ **6** 1 Lengthwise railing, left and right
- ▶ **5** 2 Drawer front connectors for lengthwise railing with expanding dowel
- ▶ **8** 1 Rear panel connector, left and right
- ▶ **4** 1 Drawer runner Quadro V6 with Silent System, left and right

Nominal length mm	Order no.	PU
420	9 214 802	1 set
470	9 214 818	1 set
520	9 214 824	1 set

All inclusive sets, bulk packaging

Pot-and-pan drawer set with lengthwise railing

Set comprises:

- ▶ **1** 1 Drawer side profile, left and right
- ▶ **2** 2 Drawer front connectors for drawer side profile with expanding dowel
- ▶ **3** 2 Cover caps, grey plastic with Hettich logo
- ▶ **6** 1 Lengthwise railing, left and right
- ▶ **5** 2 Drawer front connectors for lengthwise railing with expanding dowel
- ▶ **8** 1 Rear panel connector, left and right
- ▶ **Optional: 4** 1 Drawer runner Quadro V6 with Silent System, left and right **or** for sets without Quadro see page 111

Nominal length mm	Order no.		PU
	Pot-and-pan drawer with Quadro	Pot-and-pan drawer without Quadro	
260	9 216 519	9 216 560	18 sets
300	9 216 520	9 216 561	18 sets
350	9 216 521	9 216 562	18 sets
420	9 216 522	9 216 563	18 sets
470	9 216 523	9 216 564	18 sets
520	9 216 524	9 216 565	18 sets
620		9 216 566	18 sets

*Not available in New Zealand

- ▶ Pot-and-pan drawer with railing, height 176 mm
- ▶ Powder coated steel, silver

Components

1 Drawer side profile



Nominal length mm	Order no.		PU
	left	right	
260	9 194 390	9 194 391	18 ea.
300	9 194 392	9 194 393	18 ea.
350	9 194 394	9 194 395	18 ea.
420	9 194 396	9 194 397	18 ea.
470	9 194 398	9 194 399	18 ea.
520	9 194 400	9 194 401	18 ea.
620	9 194 402	9 194 403	18 ea.

2 Drawer front connector for drawer side profile

- ▶ Plastic, white



Mounting option	Order no.	PU
Screw-on	1 065 191	1/400 ea.
With expanding socket	1 061 450	1/400 ea.

3 Cover cap

- ▶ Plastic
- ▶ Cover cap with customised imprint available on request



Colour / finish	Order no.	PU
Grey with Hettich logo	9 194 646	1/300 ea.
Grey	9 194 643	1/300 ea.
Chrome look with Hettich logo	9 194 652	1/300 ea.
Chrome look	9 194 649	1/300 ea.

6 Lengthwise railing



Nominal length mm	Order no.		PU
	left	right	
260	9 194 522	9 194 523	80 ea.
300	9 194 524	9 194 525	80 ea.
350	9 194 526	9 194 527	80 ea.
420	9 194 528	9 194 529	80 ea.
470	9 194 530	9 194 531	80 ea.
520	9 194 532	9 194 533	80 ea.
620	9 194 534	9 194 535	80 ea.

5 Drawer front connector for lengthwise railing

- ▶ Plastic, white



Mounting option	Order no.	PU
Screw-on	9 002 503	1/400 ea.
With expanding socket	1 061 965	1/400 ea.

7 Steel rear panel (available on request)

- ▶ For standard carcass width



Carcass width mm	Order no.	PU
300	9 015 064*	1/20 ea.
350	9 015 067*	1/20 ea.
400	9 081 520*	1/20 ea.
450	9 015 068*	1/20 ea.
500	9 081 521*	1/20 ea.
550	9 081 522*	1/20 ea.
600	9 015 069*	1/20 ea.
700	9 134 074*	1/10 ea.
800	9 081 523*	1/10 ea.
900	9 015 071*	1/10 ea.
1000	9 081 524*	1/10 ea.
1200	9 081 525*	1/10 ea.

*Available on request

- ▶ Pot-and-pan drawer with railing, height 176 mm
- ▶ Powder coated steel, silver

8 Rear panel connector

- ▶ For wooden rear panel



Nominal height mm	Order no.		PU
	left	right	
176	9 027 831	9 027 832	40 ea.

10 TopSide in metal

- ▶ **9** TopSide adapters must be ordered separately



- Set comprises:
- ▶ 2 TopSides

Nominal length mm	Order no.	PU
260	9 194 698	1 set
300	9 194 699	1 set
350	9 194 700	1 set
420	9 194 701	1 set
470	9 194 702	1 set
520	9 194 703	1 set
620	9 194 704	1 set

9 TopSide adapter

- ▶ For use with **10** TopSide metal, **11** TopSide glass or TopSide in any other chosen material
- ▶ Plastic, grey



- Set comprises:
- ▶ 1 adapter, front, left and right
 - ▶ 1 adapter, rear, left and right

Order no.	PU
9 194 660	1 set

11 TopSide in glass

- ▶ Float glass, clear
- ▶ **9** TopSide adapters must be ordered separately



- Set comprises:
- ▶ 2 TopSides

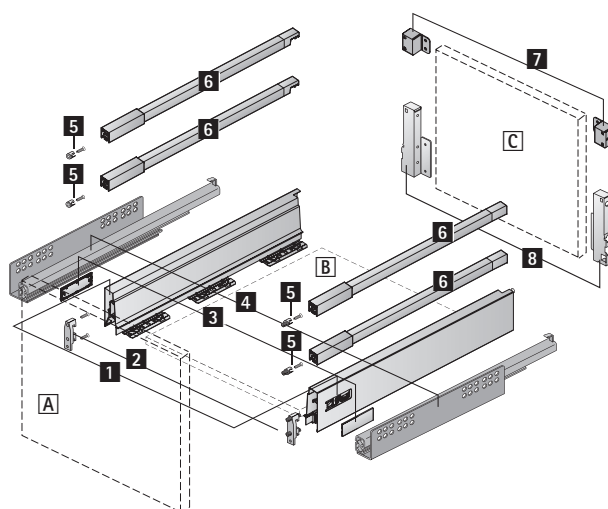
Nominal length mm	Order no.	PU
260	9 194 670	1 set
300	9 194 671	1 set
350	9 194 672	1 set
420	9 194 673	1 set
470	9 194 674	1 set
520	9 194 675	1 set
620	9 194 676	1 set

- ▶ Pot-and-pan drawer with railing, variable back panel height
- ▶ Powder coated steel, silver



- ▶ Maximum back panel height 500 mm
- ▶ The back panel must be screwed into place with at least 2 additional screws - from a carcass width of 600 mm at least 3 screws and from a carcass width of 900 mm at least 4 screws.
- ▶ Additional front stabilisers must be fitted if the back panel is higher than 200 mm, see page 121
- ▶ Other configurations are also possible

Exploded diagram



Components

- 1 Drawer side profile, left and right
- 2 Drawer front connector for drawer side profiles, 2 each
- 3 Cover cap, 2 each
- 4 Quadro drawer runner, left and right, see page 111
- 5 Drawer front connector for lengthwise railing, 4 each
- 6 Lengthwise railing, left and right
- 7 Adapter for lengthwise railing, 2 each
- C Wooden rear panel
- 8 Rear panel connector, left and right
- A Front panel
- B Bottom panel (material thickness 16 mm)
- C Wooden rear panel (material thickness 16 mm)

Advice

- ▶ For technical information, see pages 151, 154 - 162
- ▶ For Quadro drawer runner, see page 111

- ▶ Pot-and-pan drawer with railing, customised rear panel height
- ▶ Powder coated steel, silver

All inclusive sets, set packaging*

Pot-and-pan drawer set with lengthwise railing

Set comprises:

- ▶ **1** 1 Drawer side profile, left and right
- ▶ **2** 2 Drawer front connectors for drawer side profile with expanding dowel
- ▶ **3** 2 Cover caps, grey plastic with Hettich logo
- ▶ **6** 1 Lengthwise railing, left and right
- ▶ **5** 2 Drawer front connectors for lengthwise railing with expanding dowel
- ▶ **8** 1 Rear panel connector, left and right
- ▶ **4** 1 Drawer runner Quadro V6 with Silent System, left and right

- ▶ Components for upper lengthwise railing must be ordered separately, see page 36

Nominal length mm	Order no.	PU
420	9 214 801	1 set
470	9 214 817	1 set
520	9 214 823	1 set

All inclusive sets, bulk packaging

Pot-and-pan drawer set with lengthwise railing

Set comprises:

- ▶ **1** 1 Drawer side profile, left and right
- ▶ **2** 2 Drawer front connectors for drawer side profile with expanding dowel
- ▶ **3** 2 Cover caps, grey plastic with Hettich logo
- ▶ **6** 1 Lengthwise railing, left and right
- ▶ **5** 2 Drawer front connectors for lengthwise railing with expanding dowel
- ▶ **8** 1 Rear panel connector, left and right
- ▶ **Optional: 4** 1 Drawer runner Quadro V6 with Silent System, left and right **or** for sets without Quadro see page 111

- ▶ Components for upper lengthwise railing must be ordered separately, see page 36

Nominal length mm	Order no.		PU
	Pot-and-pan drawer with Quadro	Pot-and-pan drawer without Quadro	
260	9 216 513	9 216 553	18 sets
300	9 216 514	9 216 554	18 sets
350	9 216 515	9 216 555	18 sets
420	9 216 516	9 216 556	18 sets
470	9 216 517	9 216 557	18 sets
520	9 216 518	9 216 558	18 sets
620		9 216 559	18 sets

*Not available in New Zealand

- ▶ Pot-and-pan drawer with railing, customised rear panel height
- ▶ Powder coated steel, silver

Components

1 Drawer side profile



Nominal length mm	Order no.		PU
	left	right	
260	9 194 390	9 194 391	18 ea.
300	9 194 392	9 194 393	18 ea.
350	9 194 394	9 194 395	18 ea.
420	9 194 396	9 194 397	18 ea.
470	9 194 398	9 194 399	18 ea.
520	9 194 400	9 194 401	18 ea.
620	9 194 402	9 194 403	18 ea.

2 Drawer front connector for drawer side profile

- ▶ Plastic, white



Mounting option	Order no.	PU
Screw-on	1 065 191	1/400 ea.
With expanding socket	1 061 450	1/400 ea.

3 Cover cap

- ▶ Plastic
- ▶ Cover cap with customised imprint available on request



Colour / finish	Order no.	PU
Grey with Hettich logo	9 194 646	1/300 ea.
Grey	9 194 643	1/300 ea.
Chrome look with Hettich logo	9 194 652	1/300 ea.
Chrome look	9 194 649	1/300 ea.

6 Lengthwise railing



Nominal length mm	Order no.		PU
	left	right	
260	9 194 522	9 194 523	80 ea.
300	9 194 524	9 194 525	80 ea.
350	9 194 526	9 194 527	80 ea.
420	9 194 528	9 194 529	80 ea.
470	9 194 530	9 194 531	80 ea.
520	9 194 532	9 194 533	80 ea.
620	9 194 534	9 194 535	80 ea.

5 Drawer front connector for lengthwise railing

- ▶ Plastic, white



Mounting option	Order no.	PU
Screw-on	9 002 503	1/400 ea.
With expanding socket	1 061 965	1/400 ea.

7 Adapter for lengthwise railing

- ▶ For use with lengthwise railing for timber back panels in flexible heights
- ▶ Suitable for use on left or right



Order no.	PU
9 206 256	1/80 ea.

8 Rear panel connector

- ▶ For wooden rear panel



Nominal height mm	Order no.		PU
	left	right	
144	9 007 355	9 007 356	40 ea.

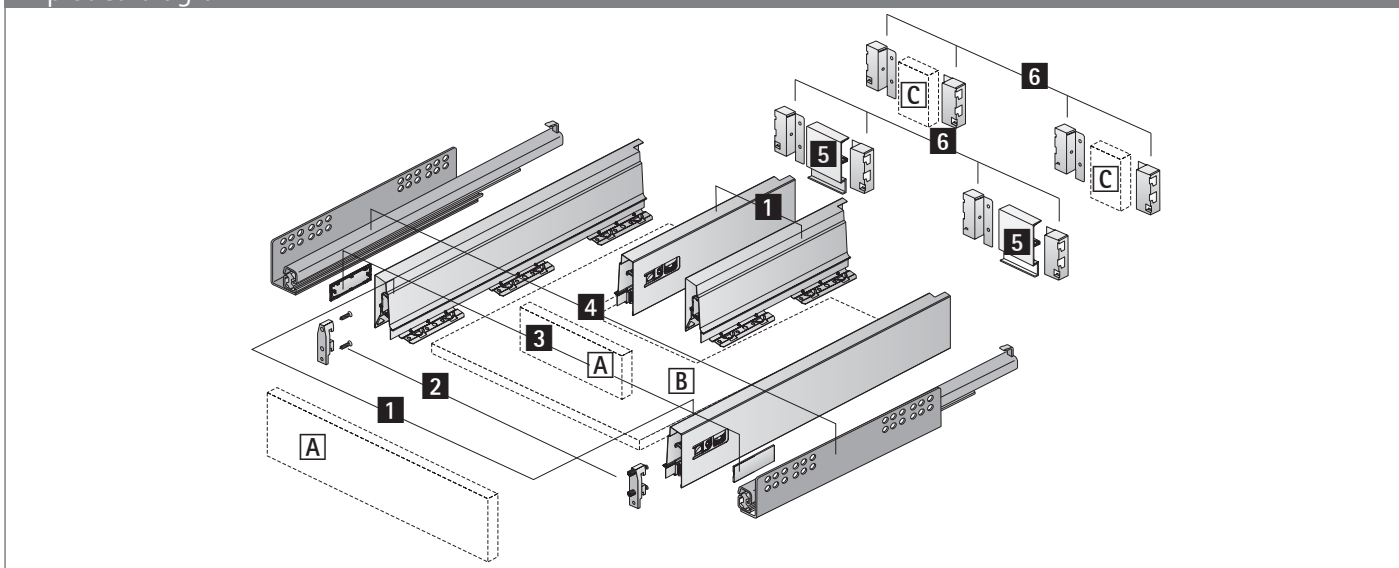
InnoTech Atira double walled drawer system

- ▶ Drawer with bottom cutout, height 70 mm
- ▶ Powder coated steel, silver



- ▶ For utilising the space below the sink
- ▶ Other configurations are also possible

Exploded diagram



Components

- 1** Drawer side profile, 2 each left and right
- 2** Drawer front connector for drawer side profile, 4 each
- 3** Cover cap, 4 each
- 4** Quadro drawer runner, left and right, see page 111
- 5** Aluminium rear panel

Alternatively:

- Wooden rear panel
- 6** Rear panel connector, 2 each on left and right
- A** Front panel
- B** Bottom panel (material thickness 16 mm)
- Wooden rear panel (material thickness 16 mm)

Advice

- ▶ For technical information, see pages 152, 154 - 162
- ▶ For Quadro drawer runner, see page 111

- ▶ **Drawer with bottom cutout, height 70 mm**
- ▶ **Powder coated steel, silver**

All inclusive sets, bulk packaging

Drawer set

Set comprises:

- ▶ **1** 1 Drawer side profile, left and right
- ▶ **2** 2 Drawer front connectors with expanding dowel
- ▶ **3** 2 Cover caps, grey plastic with Hettich logo
- ▶ **6** 1 Rear panel connector, left and right
- ▶ **Optional: 4** 1 Drawer runner Quadro V6 with Silent System, left and right **or** for sets without Quadro see page 111

Nominal length mm	Order no.		PU
	Drawer with- out Quadro	Drawer with Quadro	
260	9 216 546		18 sets
300	9 216 547		18 sets
350	9 216 548	9 216 509	18 sets
420	9 216 549	9 216 510	18 sets
470	9 216 550	9 216 511	18 sets
520	9 216 551	9 216 512	18 sets
620	9 216 552		18 sets

Components

1 Drawer side profile



Nominal length mm	Order no.		PU
	left	right	
260	9 194 390	9 194 391	18 ea.
300	9 194 392	9 194 393	18 ea.
350	9 194 394	9 194 395	18 ea.
420	9 194 396	9 194 397	18 ea.
470	9 194 398	9 194 399	18 ea.
520	9 194 400	9 194 401	18 ea.
620	9 194 402	9 194 403	18 ea.

2 Drawer front connector for drawer side profile

- ▶ Plastic, white



Mounting option	Order no.	PU
Screw-on	1 065 191	1/400 ea.
With expanding socket	1 061 450	1/400 ea.

3 Cover cap

- ▶ Plastic
- ▶ Cover cap with customised imprint available on request



Colour / finish	Order no.	PU
Grey with Hettich logo	9 194 646	1/300 ea.
Grey	9 194 643	1/300 ea.
Chrome look with Hettich logo	9 194 652	1/300 ea.
Chrome look	9 194 649	1/300 ea.

6 Rear panel connector

- ▶ For wooden or **5** aluminium rear panel



Nominal height mm	Order no.		PU
	left	right	
70	1 062 501	1 062 502	40 ea.

5 Aluminium rear panel

- ▶ For variable or standard carcass width
- ▶ For cutting to length
- ▶ Length 2000 mm
- ▶ powder coated, silver
- ▶ **6** Rear panel connectors must be ordered separately



Order no.	PU
0 077 913	1 ea.

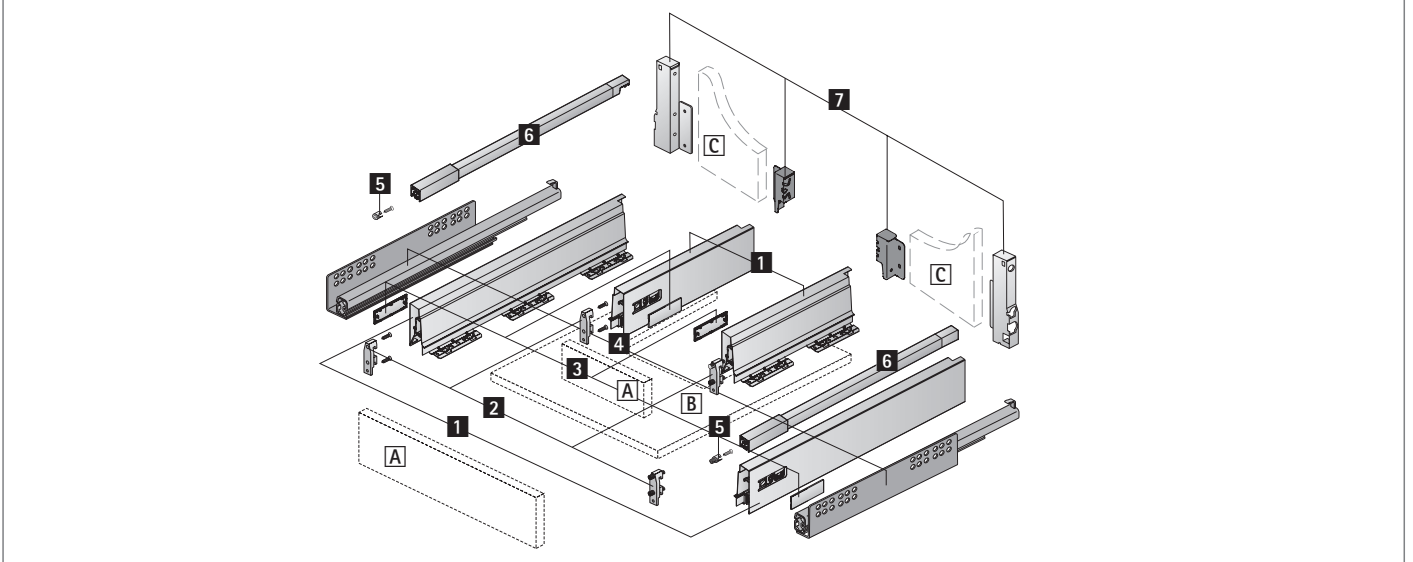
InnoTech Atira double walled drawer system

- ▶ Pot-and-pan drawer with bottom cutout, height 144 mm
- ▶ Powder coated steel, silver



- ▶ For utilising the space below the sink
- ▶ Other configurations are also possible

Exploded diagram



Components

- 1** Drawer side profile, 2 each left and right
- 2** Drawer front connector for drawer side profile, 4 each
- 3** Cover cap, 4 each
- 4** Quadro drawer runner, left and right, see page 111
- 5** Drawer front connector for lengthwise railing, 2 each
- 6** Lengthwise railing, left and right
- C** Wooden rear panel and
- 7** Rear panel connector, 2 each on left and right
- A** Front panel
- B** Bottom panel (material thickness 16 mm)
- C** Wooden rear panel (material thickness 16 mm)

Advice

- ▶ For technical information, see pages 153, 154 - 162
- ▶ For Quadro drawer runner, see page 111

- ▶ Pot-and-pan drawer with bottom cutout, height 144 mm
- ▶ Powder coated steel, silver

All inclusive sets, bulk packaging

Drawer set / pot-and-pan drawer set with lengthwise railing

Drawer set comprises:

- ▶ **1** 1 Drawer side profile, left and right
- ▶ **2** 2 Drawer front connectors with expanding dowel
- ▶ **3** 2 Cover caps, grey plastic with Hettich logo
- ▶ **7** 1 Rear panel connector, left and right

Pot-and-pan drawer set comprises:

- ▶ **1** 1 Drawer side profile, left and right
- ▶ **2** 2 Drawer front connectors for drawer side profile with expanding dowel
- ▶ **3** 2 Cover caps, grey plastic with Hettich logo
- ▶ **6** 1 Lengthwise railing, left and right
- ▶ **5** 2 Drawer front connectors for lengthwise railing with expanding dowel
- ▶ **7** 1 Rear panel connector, left and right
- ▶ **4** 1 Drawer runner Quadro V6 with Silent System, left and right

Nominal length mm	Order no.		PU
	Drawer without Quadro	Pot-and-pan drawer with Quadro	
260	9 216 546		18 sets
300	9 216 547		18 sets
350	9 216 548	9 216 515	18 sets
420	9 216 549	9 216 516	18 sets
470		9 216 517	18 sets
520		9 216 518	18 sets

- ▶ Pot-and-pan drawer with bottom cutout, height 144 mm
- ▶ Powder coated steel, silver

Components

1 Drawer side profile



Nominal length mm	Order no.		PU
	left	right	
260	9 194 390	9 194 391	18 ea.
300	9 194 392	9 194 393	18 ea.
350	9 194 394	9 194 395	18 ea.
420	9 194 396	9 194 397	18 ea.
470	9 194 398	9 194 399	18 ea.
520	9 194 400	9 194 401	18 ea.
620	9 194 402	9 194 403	18 ea.

2 Drawer front connector for drawer side profile

- ▶ Plastic, white



Mounting option	Order no.	PU
Screw-on	1 065 191	1/400 ea.
With expanding socket	1 061 450	1/400 ea.

3 Cover cap

- ▶ Plastic
- ▶ Cover cap with customised imprint available on request



Colour / finish	Order no.	PU
Grey with Hettich logo	9 194 646	1/300 ea.
Grey	9 194 643	1/300 ea.
Chrome look with Hettich logo	9 194 652	1/300 ea.
Chrome look	9 194 649	1/300 ea.

6 Lengthwise railing



Nominal length mm	Order no.		PU
	left	right	
260	9 194 522	9 194 523	80 ea.
300	9 194 524	9 194 525	80 ea.
350	9 194 526	9 194 527	80 ea.
420	9 194 528	9 194 529	80 ea.
470	9 194 530	9 194 531	80 ea.
520	9 194 532	9 194 533	80 ea.
620	9 194 534	9 194 535	80 ea.

5 Drawer front connector for lengthwise railing

- ▶ Plastic, white



Mounting option	Order no.	PU
Screw-on	9 002 503	1/400 ea.
With expanding socket	1 061 965	1/400 ea.

7 Rear panel connector

- ▶ For wooden rear panel



Nominal height mm	Order no.		PU
	left	right	
70	1 062 501	1 062 502	40 ea.
144	9 007 355	9 007 356	40 ea.

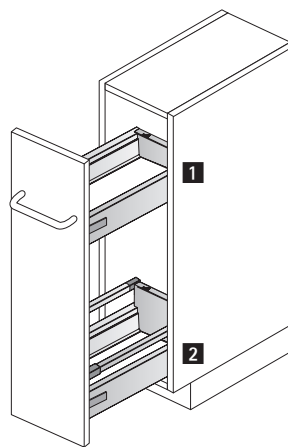
InnoTech Atira double walled drawer system



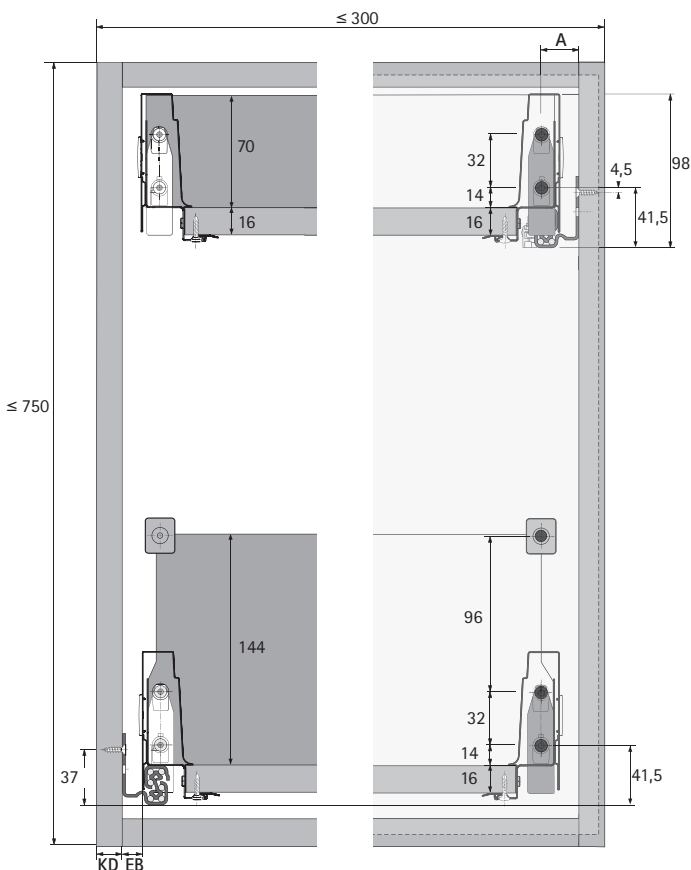
- ▶ Narrow base unit
- ▶ Powder coated steel, silver



- ▶ Suitable for cabinet width min. 150 and max. 300 mm
- ▶ Stability through diagonally mounted runners (left / right)
- ▶ Load capacity up to 20 kg
- ▶ Other configurations are possible e.g. use of TopSide metal or glass



All inclusive sets



Set comprises:

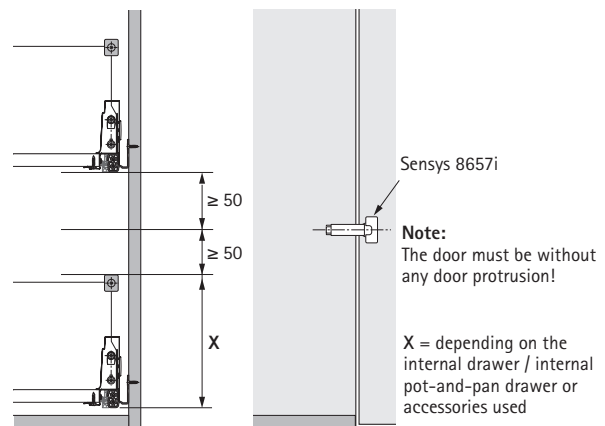
- ▶ 2 Drawer side profiles, left and right
- ▶ 4 Rear panel connectors, left and right
- ▶ 1 Lengthwise railing, left and right
- ▶ 4 Drawer front connectors for drawer side profile with expanding dowel
- ▶ 2 Drawer front connectors for lengthwise railing with expanding dowel
- ▶ 4 Cover caps, grey plastic with Hettich logo
- ▶ 1 Drawer runner Quadro V6 with Silent System, left and right

Nominal length mm	Order no.	PU
470	9 214 729	1 set
520	9 214 730	1 set

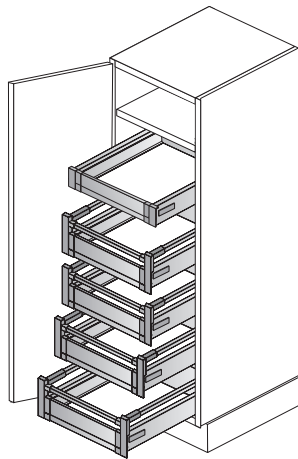
- ▶ Pantry
- ▶ Powder coated steel, silver



- ▶ Versatile pantry unit with internal drawers behind hinged doors
- ▶ Maximum use of storage area
- ▶ Flexibility in cabinet height and width
- ▶ Suitable for pantry units starting from 300 mm in width – wider than 600 mm 2 hinged doors are recommended
- ▶ Sensys 8657i fast assembly hinge with no door protrusion is recommended



All inclusive sets



- Set comprises:
- ▶ 5 Drawer side profiles, left and right
 - ▶ 5 Rear panel connectors, left and right
 - ▶ 4 Lengthwise railing, left and right
 - ▶ 1 Front for internal drawer **or**
 - 1 connector for aluminium front panel, left and right
 - ▶ 4 Fronts for internal pot-and-pan drawer **or**
 - 4 connectors for aluminium front panel, left and right
 - ▶ 10 Cover caps, grey plastic with Hettich logo
 - ▶ 5 Drawer runner Quadro V6 with Silent System, left and right

Pantry cabinet width	Order no. / nominal length mm		PU
	470	520	
300	9 214 712	9 214 722	1 set
400	9 214 713	9 214 723	1 set
450	9 214 714	9 214 724	1 set
500	9 214 715	9 214 725	1 set
Variable width*	9 214 716	9 214 726	1 set

- *Note:**
- ▶ Internal front panel and front railing must be ordered separately, see page 29

InnoTech Atira double walled drawer system



- ▶ Range summary, interior organisers
- ▶ Powder coated steel, silver



OrgaTray 440
for drawers / internal drawers

46



OrgaTray 490
for drawers / internal drawers

47



OrgaTray 590
for drawers / internal drawers

48



OrgaTray 610
for drawers / internal drawers

49



OrgaStore 410 for pot-and-pan drawers /
internal pot-and-pan drawers

50



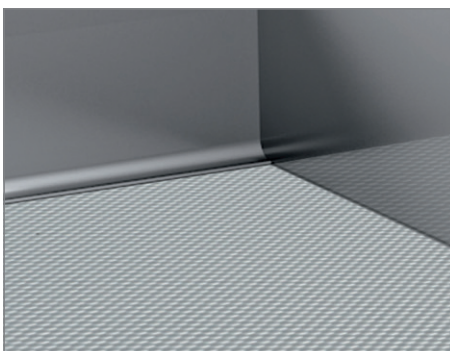
OrgaFlag for pot-and-pan drawers /
internal pot-and-pan drawers

51



OrgaStore 820 for pot-and-pan drawers /
internal pot-and-pan drawers

52 - 53



Accessories

54

InnoTech Atira double walled drawer system

- ▶ Internal organisation system for drawers and internal drawers
- ▶ Powder coated steel, silver



- ▶ For general-purpose use
- ▶ Knife and spice rack can be incorporated, see page 54
- ▶ Plastic, silver

OrgaTray 440

Width mm	Order no. / depth mm			PU
	370 - 440	441 - 520	581 - 620	
175 - 200	9 194 917	9 194 930		1 ea.
201 - 250	9 194 918	9 194 931		1 ea.
251 - 300	9 194 919	9 194 932		1 ea.
301 - 350	9 194 920	9 194 933		1 ea.
351 - 400	9 194 921	9 194 934		1 ea.
401 - 450	9 194 922	9 194 935		1 ea.
451 - 500	9 194 923	9 194 936		1 ea.
501 - 600	9 194 924	9 194 937	9 194 943	1 ea.
601 - 700	9 194 925	9 194 938	9 202 776	1 ea.
701 - 800	9 194 926	9 194 939	9 194 944	1 ea.
801 - 900	9 194 927	9 194 940	9 194 945	1 ea.
901 - 1000	9 194 928	9 194 941	9 194 946	1 ea.
1091 - 1150	9 194 929	9 194 942	9 194 947	1 ea.

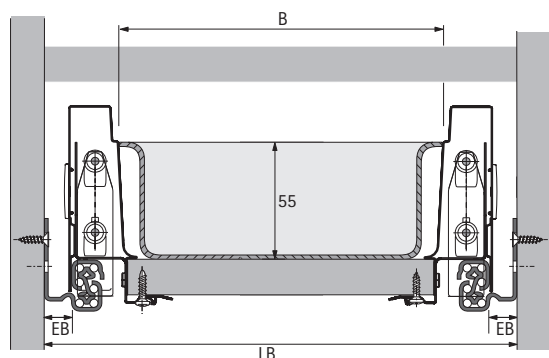
Partitioning

D 370 - 440													
D 441 - 520													
D 581 - 620													
W	175-200	201-250	251-300	301-350	351-400	401-450	451-500	501-600	601-700	701-800	801-900	901-1000	1091-1150
NW	275	300	350	400	450	500	550	600	700	800	900	1000	1200

* = knife and spice rack can be incorporated

D = Depth W = Width NW = Nominal width

Dimensional drawing



- ▶ Trimmed width (B) = LB - 62
- ▶ When using edge profiles, see page 54: Trimmed width (B) = LB - 66
- ▶ Trimmed depth = nominal length - 7.7

InnoTech Atira double walled drawer system

- ▶ Internal organisation system for drawers and internal drawers
- ▶ Powder coated steel, silver





- ▶ Variable in width, suitable for cabinet width starting from 450 mm
- ▶ Two trays can be fitted in a cabinet width starting from 800 mm
- ▶ Plastic, silver

OrgaTray 490

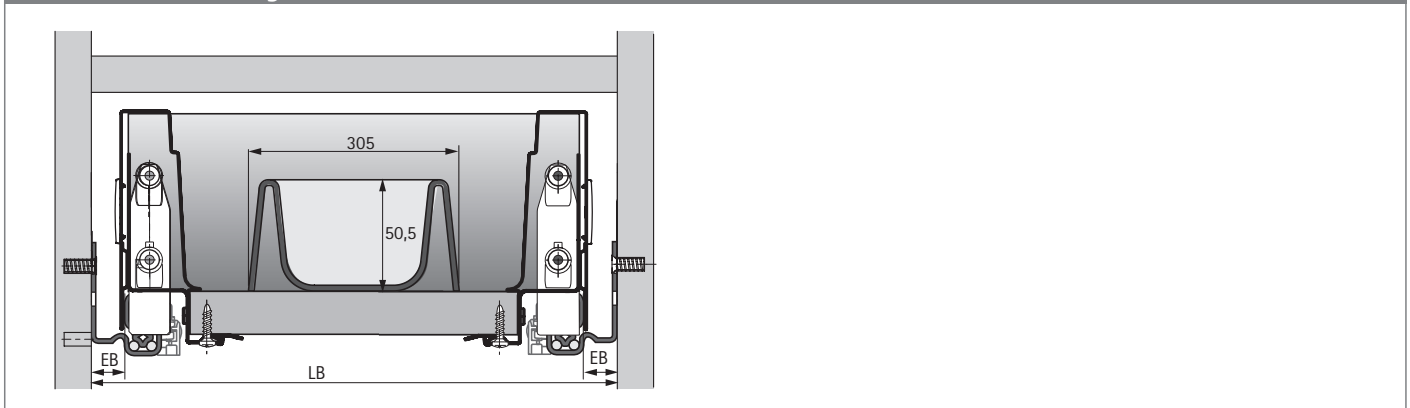
Order no. / nominal length mm		PU
470	520	
9 207 241	9 207 242	1 ea.

Partitioning

NL	D	
470	462	
520	512	
W	302	
CW	450-1200	

NL = Nominal length D = Depth W = Width CW = Carcase width

Dimensional drawing



InnoTech Atira double walled drawer system



- ▶ Internal organisation system for drawers and internal drawers
- ▶ Powder coated steel, silver



- ▶ For nominal length 470 mm
- ▶ Suitable for standard cabinet width
- ▶ Plastic, silver

Set comprises:

- ▶ 1 plastic cutlery tray
- ▶ Dividing elements for partitioning drawer to suit needs (quantity differs depending on width, see illustration of partitioning)

OrgaTray 590

Cabinet width mm	Order no.	PU
300	9 194 886	1 set
400	9 194 887	1 set
450	9 194 888	1 set
500	9 194 889	1 set
600	9 194 891	1 set
800	9 194 892	1 set
900	9 194 893	1 set
1000	9 194 894	1 set

Partitioning

NL	D	Diagram 1	Diagram 2	Diagram 3	Diagram 4	Diagram 5	Diagram 6	Diagram 7	Diagram 8
470	462								
W		207	307	357	407	507	707	807	907
CW		300	400	450	500	600	800	900	1000

NL = Nominal length D = Depth W = Width CW = Carcase width

Dividing elements



- ▶ For OrgaTray 590
- ▶ Plastic, grey

Nominal length mm	Order no.	PU
68	9 204 229	1/50 ea.
128	9 005 931	1/50 ea.

InnoTech Atira double walled drawer system

- ▶ Internal organisation system for drawers and internal drawers
- ▶ Powder coated steel, silver



- ▶ Premounted steel cutlery tray
- ▶ Suitable for cabinet widths starting from 450 mm
- ▶ Two trays can be used for cabinet widths starting from 900 mm
- ▶ Anti slip mat must be ordered separately

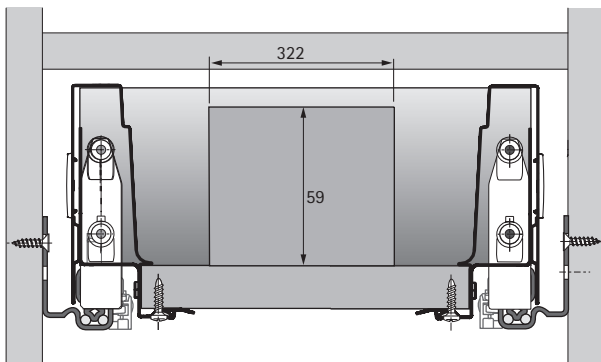
OrgaTray 610

Order no.	PU
9 194 881	1 set

Partitioning

NL	D	
470	462	
W		313
CW		450-1200

Dimensional drawing



InnoTech Aтира double walled drawer system

- ▶ Internal organisation system for pot-and-pan drawers and internal pot-and-pan drawers
- ▶ Powder coated steel, silver



- ▶ For pot-and-pan drawer or internal pot-and-pan drawer with railing
- ▶ Crosswise railings and lengthwise dividers must be ordered separately
- ▶ It is recommended to fit an anti-slip mat

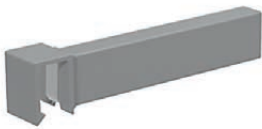
OrgaStore 410 cut to size



- ▶ Cut to size for various cabinet widths options
- ▶ Crosswise railing, adapter and lengthwise divider must be ordered separately
- ▶ B = LB - 65.5
- ▶ Adapter, plastic, grey

Article name	Length mm	Order no.	PU
Crosswise railing	2000	9 194 614	1/30 ea.
Adapter		9 194 617	1/20 ea.

OrgaStore 410 lengthwise divider



- ▶ Plastic, grey

Order no.	PU
9 194 618	1/10 ea.

InnoTech Atira double walled drawer system

- ▶ Internal organisation system for pot-and-pan drawers and internal pot-and-pan drawers
- ▶ Powder coated steel, silver



- ▶ Suitable for standard cabinet width
- ▶ Aluminium profile can be trimmed to suit variable widths
- ▶ Available for cabinet width starting from 300 mm
- ▶ Plastic elements, grey

OrgaStore 820 divider



- ▶ Height 125 mm
- ▶ Also available for adding to set
- ▶ Plastic, grey

Order no.	PU
9 194 867	1/15 ea.

Adapter



- ▶ Height 125 mm
- ▶ Plugs onto aluminium profile without the need for tools
- ▶ Two adapters are required for each set
- ▶ Plastic, grey

Order no.	PU
9 194 866	1/30 ea.

OrgaStore 820 aluminium profile

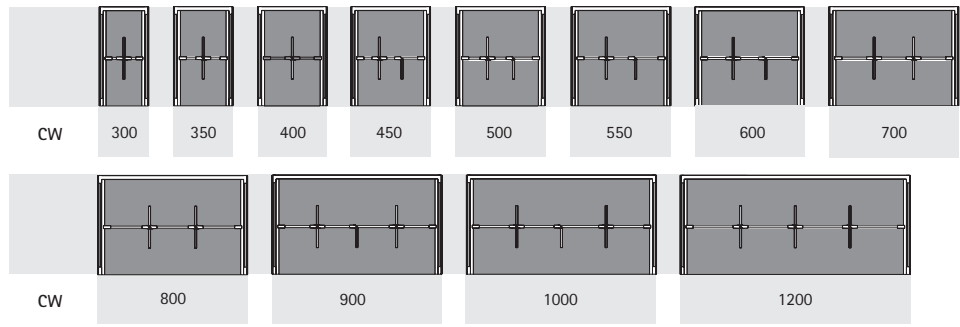


- ▶ Height 120 mm
- ▶ Length 2000 mm
- ▶ Cut to size
- ▶ Adapters must be ordered separately

Order no.	PU
9 194 868	1 ea.

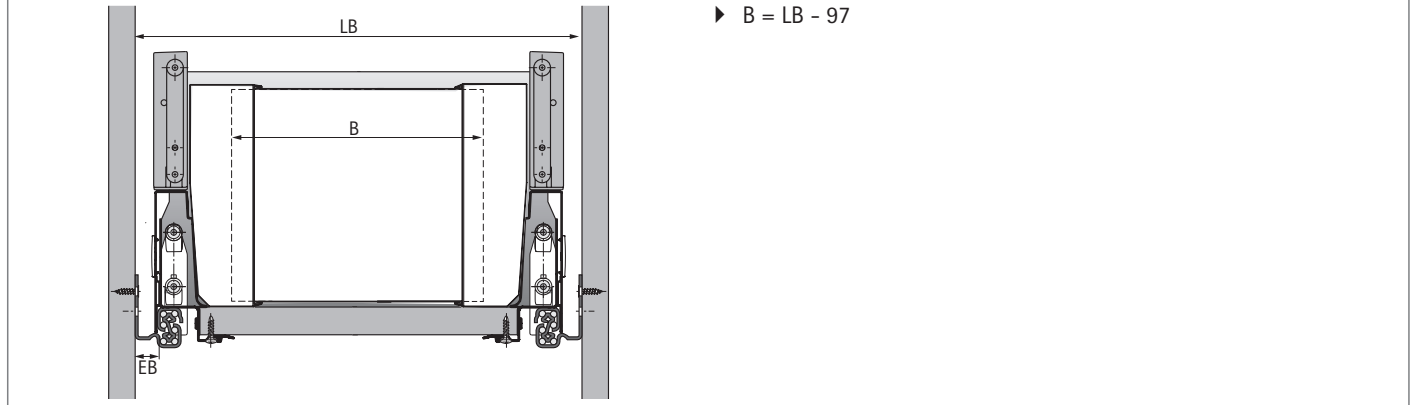
- ▶ Internal organisation system for pot-and-pan drawers and internal pot-and-pan drawers
- ▶ Powder coated steel, silver

Partitioning



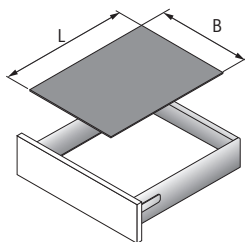
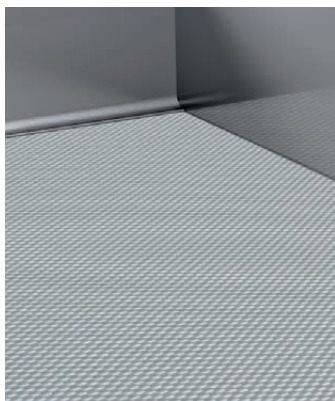
CW = Carcase width

Dimensional drawing



- ▶ Accessories for interior organisation
- ▶ Powder coated steel, silver

Anti-slip mat



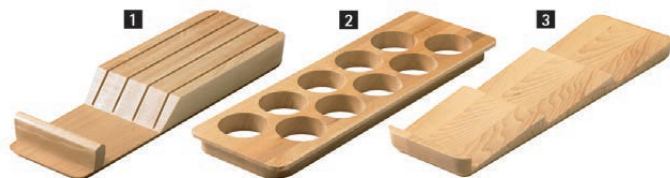
- ▶ For inserting into the drawer or pot-and-pan drawer
- ▶ 5 m roll
- ▶ Plastic, silver

Advice:

- ▶ Trimmed width (B) = LB - 84
- ▶ Cut length (L) = nominal length - 7.7

Nominal length mm	Order no.	PU
470	9 209 533	1 ea.
520	9 209 536	1 ea.
650	9 209 568	1 ea.

Knife holder and spice rack



- ▶ For OrgaTray 440
- ▶ Beech, lacquered

Article	Order no.	PU
1 Knife holder	0 074 430	1 ea.
2 Spice rack, standing, ø 53 mm	0 044 934	1 ea.
3 Spice rack, lying flat	9 079 207	1 ea.

InnoTech Atira double walled drawer system

- ▶ Range summary - solutions with bottom cutout
- ▶ Powder coated steel, silver



OrgaTray 510
for drawers / pot-and-pan drawers
56



Banio
for drawers / pot-and-pan drawers
57



Metal surround for under sink solutions
for drawers / pot-and-pan drawers
58



Wire surround for under sink solutions
for drawers / pot-and-pan drawers
59

- ▶ Solutions with bottom cutout
- ▶ Powder coated steel, silver

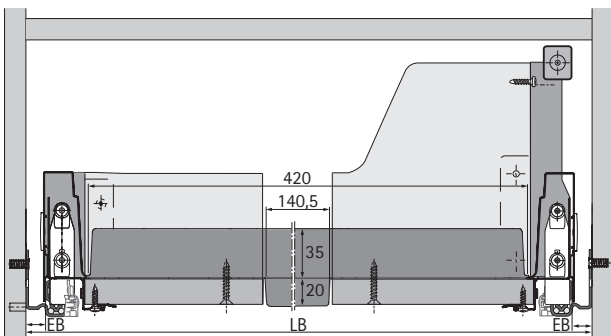


- ▶ Variable in width
- ▶ Can be used for cabinet width starting from 550 mm and nominal length of 350 mm
- ▶ Plastic, grey

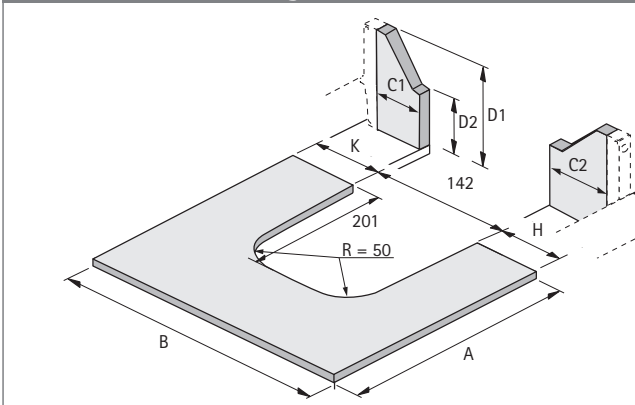
OrgaTray 510

Order no.	PU
9 207 045	1 ea.

Dimensional drawing



Dimensions for cutting to size



- ▶ Dimension A = NL + 10
- ▶ Dimension B = LB - 76.5
- ▶ Dimension C1 = K - 20
- ▶ Dimension C2 = H - 20

InnoTech Atira double walled drawer system

- ▶ Solutions with bottom cutout
- ▶ Powder coated steel, silver



- ▶ For drawer or pot-and-pan drawer
- ▶ Can be used for nominal lengths up to 470 mm
- ▶ Suitable for cabinet width starting from 600 mm
- ▶ Total frame height 87 mm
- ▶ Frame set and container set must be ordered separately

Banio frame set



- ▶ Plastic, grey

Order no.	PU
9 153 387	1 set

Banio container set

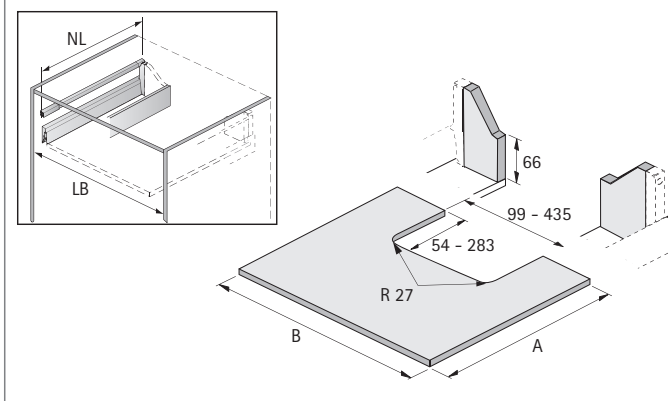


- ▶ The set comprises 3 trays
- ▶ 84 mm x 84 mm / 84 mm x 168 mm / 84 mm x 252 mm
- ▶ Plastic, translucent white

- Set comprises:
- ▶ 3 trays, translucent plastic

Order no.	PU
9 153 388	1 set

Dimensions for cutting to size



- ▶ Dimension A = NL + 10
- ▶ Dimension B = LB - 76.5

- ▶ Solutions with bottom cutout
- ▶ Powder coated steel, silver

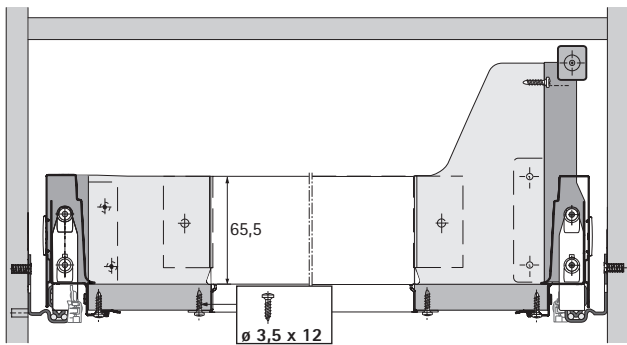


- ▶ For utilising the space below the sink
- ▶ For drawers and pot-and-pan drawers

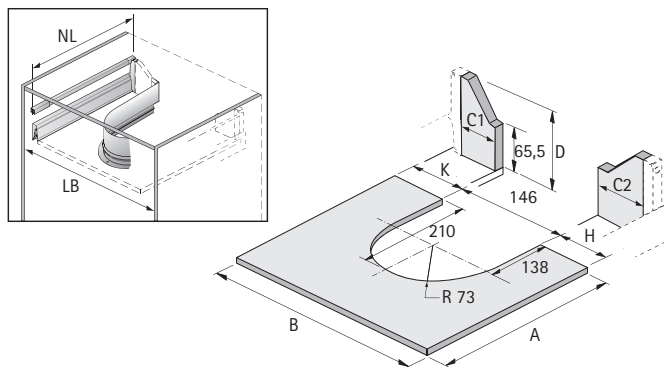
Metal surround

Order no.	PU
9 204 282	1 ea.

Dimensional drawing



Dimensions for cutting to size



- ▶ Dimension A = NL + 10
- ▶ Dimension B = LB - 76.5
- ▶ Dimension C1 = K - 20
- ▶ Dimension C2 = H - 20

InnoTech Atira double walled drawer system

- ▶ Solutions with bottom cutout
- ▶ Powder coated steel, silver

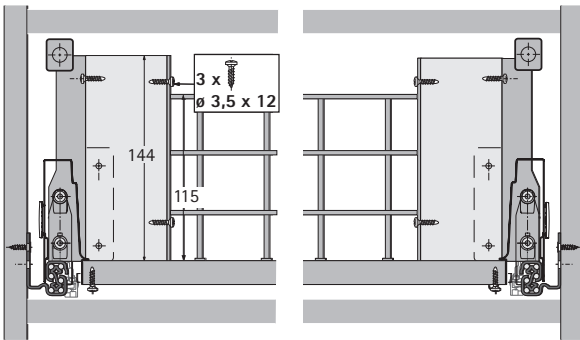


- ▶ For utilising the space below the sink
- ▶ For pot-and-pan drawers starting from a nominal length of 350 mm

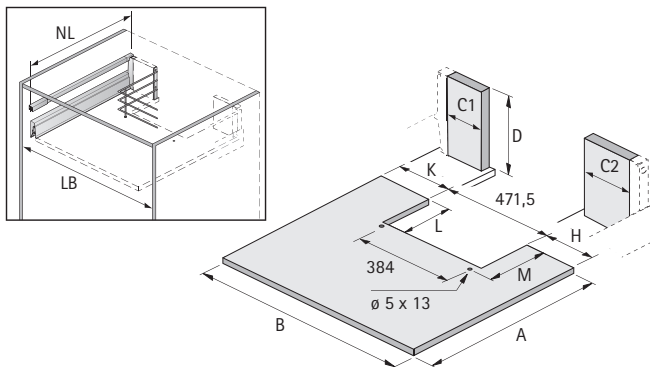
Wire surround

Order no.	PU
0 040 119	1 ea.

Dimensional drawing



Dimensions for cutting to size



- ▶ Dimension A = NL + 10 (wooden rear panel) / NL - 3 (aluminium rear panel)
- ▶ Dimension B = LB - 2 x EB - 51.5
- ▶ Dimension C1 = K - 20
- ▶ Dimension C2 = H - 20
- ▶ Dimension D = 144 (wooden rear panel)
- ▶ Dimension L = 280 (wooden rear panel) / 267 (aluminium rear panel)
- ▶ Dimension M = 290 (wooden rear panel) / 277 (aluminium rear panel)

InnoTech Atira double walled drawer system

- ▶ Range summary
- ▶ Powder coated steel, white



Drawer, height 54 mm

62 - 63



Drawer, height 70 mm

64 - 66



Internal drawer 100, height 70 mm

68 - 71



Pot-and-pan drawer with railing, height 144 mm

72 - 75



Internal pot-and-pan drawer 100 with railing, height 144 mm

76 - 79



Pot-and-pan drawer with railing, height 176 mm

80 - 83



Pot-and-pan drawer with railing, customised rear panel height

84 - 86



Drawer with bottom cutout, height 70 mm

88 - 89



Pot-and-pan drawer with bottom cutout, height 144 mm

90 - 92



Narrow base unit

93



Pantry

94



Interior organisers for drawers / internal drawers

95

- ▶ Range summary
- ▶ Powder coated steel, white



Interior organisation for pot-and-pan drawers /
internal pot-and-pan drawers

95



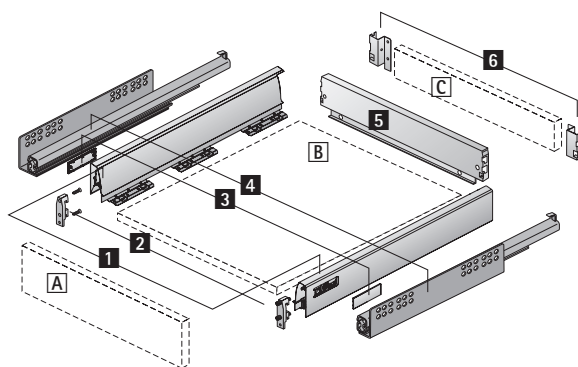
Solutions for bottom cutout

105

- ▶ Drawer, height 54 mm
- ▶ Powder coated steel, white



Exploded diagram



Components

- 1 Drawer side profile, left and right
- 2 Drawer front connector for drawer side profiles, 2 each
- 3 Cover cap, 2 each
- 4 Quadro drawer runner, left and right, see page 111
- 5 Steel rear panel

Alternatively:

- C Wooden rear panel and
- 6 Rear panel connector, left and right
- A Front panel
- B Bottom panel (material thickness 16 mm)
- C Wooden rear panel (material thickness 16 mm)

Advice

- ▶ For technical information, see pages 145, 154 - 162
- ▶ For Quadro drawer runner, see page 111

- ▶ Drawer, height 54 mm
- ▶ Powder coated steel, white

Components

1 Drawer side profile

- ▶ Suitable for use under built in ovens



Nominal length mm	Order no.		PU
	left	right	
470	9 194 432	9 194 433	18 ea.

2 Drawer front connector for drawer side profile

- ▶ Plastic, white



Mounting option	Order no.	PU
Screw-on	1 065 191	1/400 ea.
With expanding socket	1 061 450	1/400 ea.

3 Cover cap

- ▶ Plastic
- ▶ Cover cap with customised imprint available on request



Colour / finish	Order no.	PU
White with Hettich logo	9 194 647	1/300 ea.
White	9 194 644	1/300 ea.
Chrome look with Hettich logo	9 194 653	1/300 ea.
Chrome look	9 194 650	1/300 ea.

5 Steel rear panel

- ▶ For standard carcass width



Carcass width mm	Order no.	PU
600	9 194 436	1/40 ea.

6 Rear panel connector

- ▶ For wooden rear panel

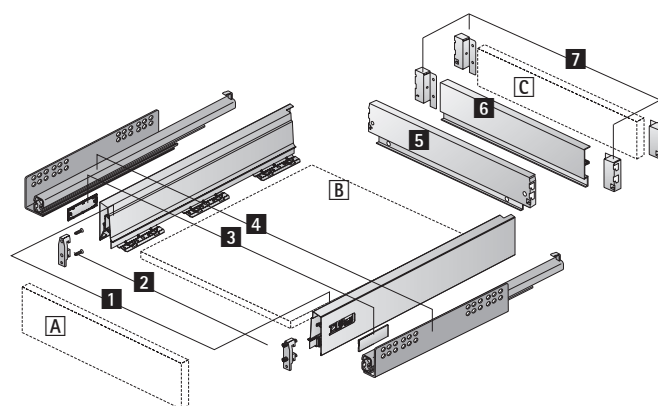


Nominal height mm	Order no.		PU
	left	right	
54	9 194 623	9 194 624	40 ea.

- ▶ Drawer, height 70 mm
- ▶ Powder coated steel, white



Exploded diagram



Components

- 1 Drawer side profile, left and right
- 2 Drawer front connector for drawer side profiles, 2 each
- 3 Cover cap, 2 each
- 4 Quadro drawer runner, left and right, see page 111
- 5 Steel rear panel (available on request)

Alternatively:

- 6 Aluminium rear panel or C Wooden rear panel and
- 7 Rear panel connector, left and right
- A Front panel
- B Bottom panel (material thickness 16 mm)
- C Wooden rear panel (material thickness 16 mm)

Advice

- ▶ For technical information, see pages 146, 154 - 162
- ▶ For Quadro drawer runner, see page 111

- ▶ **Drawer, height 70 mm**
- ▶ **Powder coated steel, white**

All inclusive set, set packaging*

Drawer set

Set comprises:

- ▶ **1** 1 Drawer side profile, left and right
- ▶ **2** 2 Drawer front connectors with expanding dowel
- ▶ **3** 2 Cover caps, white plastic with Hettich logo
- ▶ **7** 1 Rear panel connector, left and right
- ▶ **4** 1 Drawer runner Quadro V6 with Silent System, left and right

Nominal length mm	Order no.	PU
350	9 214 799	1 set
420	9 214 803	1 set
470	9 214 819	1 set
520	9 214 825	1 set

All inclusive set, bulk packaging

Drawer set

Set comprises:

- ▶ **1** 1 Drawer side profile, left and right
- ▶ **2** 2 Drawer front connectors with expanding dowel
- ▶ **3** 2 Cover caps, white plastic with Hettich logo
- ▶ **7** 1 Rear panel connector, left and right
- ▶ **Optional: 4** 1 Drawer runner Quadro V6 with Silent System, left and right **or** for sets without Quadro see page 111

Nominal length mm	Order no.		PU
	Drawer with Quadro	Drawer without Quadro	
260	9 216 479	9 216 525	18 sets
300	9 216 480	9 216 526	18 sets
350	9 216 481	9 216 527	18 sets
420	9 216 482	9 216 528	18 sets
470	9 216 483	9 216 529	18 sets
520	9 216 484	9 216 530	18 sets
620		9 216 531	18 sets

*Not available in New Zealand

- ▶ Drawer, height 70 mm
- ▶ Powder coated steel, white

Components

1 Drawer side profile



Nominal length mm	Order no.		PU
	left	right	
260	9 194 404	9 194 405	18 ea.
300	9 194 406	9 194 407	18 ea.
350	9 194 408	9 194 409	18 ea.
420	9 194 410	9 194 411	18 ea.
470	9 194 412	9 194 413	18 ea.
520	9 194 414	9 194 415	18 ea.
620	9 194 416	9 194 417	18 ea.

2 Drawer front connector for drawer side profile

- ▶ Plastic, white



Mounting option	Order no.	PU
Screw-on	1 065 191	1/400 ea.
With expanding socket	1 061 450	1/400 ea.

3 Cover cap

- ▶ Plastic
- ▶ Cover cap with customised imprint available on request



Colour / finish	Order no.	PU
White with Hettich logo	9 194 647	1/300 ea.
White	9 194 644	1/300 ea.
Chrome look with Hettich logo	9 194 653	1/300 ea.
Chrome look	9 194 650	1/300 ea.

5 Steel rear panel (available on request)

- ▶ For standard carcass width



Carcass width mm	Order no.	PU
275	9 194 438*	1/40 ea.
300	9 194 439*	1/40 ea.
350	9 194 440*	1/40 ea.
400	9 194 441*	1/40 ea.
450	9 194 442*	1/40 ea.
500	9 194 443*	1/40 ea.
550	9 194 444*	1/40 ea.
600	9 194 445*	1/40 ea.
700	9 194 446*	1/20 ea.
800	9 194 447*	1/20 ea.
900	9 194 448*	1/20 ea.
1000	9 194 449*	1/20 ea.
1200	9 194 450*	1/20 ea.

7 Rear panel connector

- ▶ For wooden or **6** Aluminium rear panel



Nominal height mm	Order no.		PU
	left	right	
70	9 194 627	9 194 628	40 ea.

6 Aluminium rear panel

- ▶ For variable or standard carcass width
- ▶ For cutting to length
- ▶ Length 2000 mm
- ▶ Powder coated, white
- ▶ **7** Rear panel connectors must be ordered separately



Order no.	PU
9 194 518	1 ea.

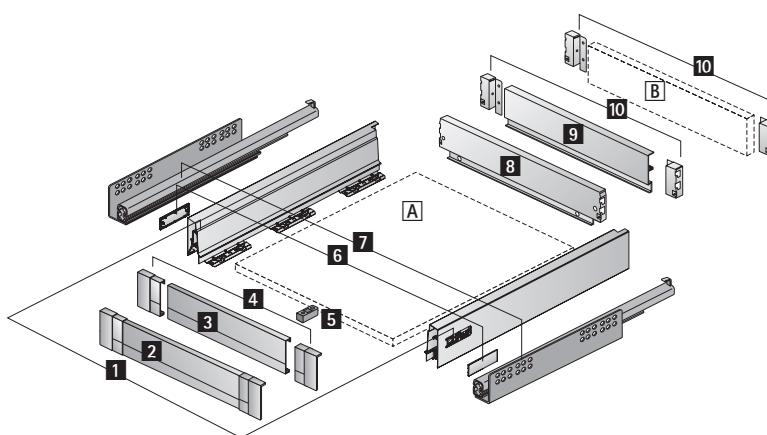
*Available on request

InnoTech Atira double walled drawer system

- ▶ Internal drawer 100, height 70 mm
- ▶ Powder coated steel, white



Exploded diagram



Components

1 Drawer side profile, left and right

2 Front panel

Alternatively:

3 Aluminium front panel and

4 Connector for aluminium front panel

5 Front stabiliser

6 Cover cap, 2 each

7 Quadro drawer runner, left and right, see page 111

8 Steel rear panel (available on request)

Alternatively:

9 Aluminium rear panel or **B** Wooden rear panel and

10 Rear panel connector, left and right

A Bottom panel (material thickness 16 mm)

B Wooden rear panel (material thickness 16 mm)

Advice

- ▶ For technical information, see pages 147, 154 - 162
- ▶ For Quadro drawer runner, see page 111

- ▶ Internal drawer 100, height 70 mm
- ▶ Powder coated steel, white

All inclusive sets, set packaging*

Drawer set

Set comprises:

- ▶ **1** 1 Drawer side profile, left and right
- ▶ **2** 2 Drawer front connectors with expanding dowel
- ▶ **3** 2 Cover caps, white plastic with Hettich logo
- ▶ **7** 1 Rear panel connector, left and right
- ▶ **4** 1 Drawer runner Quadro V6 with Silent System, left and right
- ▶ Components for internal front panel must be ordered separately, see page 71

Nominal length mm	Order no.	PU
350	9 214 799	1 set
420	9 214 803	1 set
470	9 214 819	1 set
520	9 214 825	1 set

All inclusive sets, bulk packaging

Internal drawer 100, set

Set comprises:

- ▶ **1** 1 Drawer side profile, left and right
- ▶ **4** 1 set or pair connectors for aluminium front panel
- ▶ **6** 2 Cover caps, white plastic with Hettich logo
- ▶ **10** 1 Rear panel connector, left and right
- ▶ Internal front panel must be ordered separately, see page 71

Nominal length mm	Order no.	PU
260	9 216 567	18 sets
300	9 216 568	18 sets
350	9 216 569	18 sets
420	9 216 570	18 sets
470	9 216 571	18 sets
520	9 216 572	18 sets
620	9 216 573	18 sets

*Not available in New Zealand

- ▶ Internal drawer 100, height 70 mm
- ▶ Powder coated steel, white

Components

1 Drawer side profile



Nominal length mm	Order no.		PU
	left	right	
260	9 194 404	9 194 405	18 ea.
300	9 194 406	9 194 407	18 ea.
350	9 194 408	9 194 409	18 ea.
420	9 194 410	9 194 411	18 ea.
470	9 194 412	9 194 413	18 ea.
520	9 194 414	9 194 415	18 ea.
620	9 194 416	9 194 417	18 ea.

6 Cover cap

- ▶ Plastic
- ▶ Cover cap with customised imprint available on request



Colour / finish	Order no.	PU
White with Hettich logo	9 194 647	1/300 ea.
White	9 194 644	1/300 ea.
Chrome look with Hettich logo	9 194 653	1/300 ea.
Chrome look	9 194 650	1/300 ea.

8 Steel rear panel (available on request)

- ▶ For standard carcass width



Carcass width mm	Order no.	PU
275	9 194 438*	1/40 ea.
300	9 194 439*	1/40 ea.
350	9 194 440*	1/40 ea.
400	9 194 441*	1/40 ea.
450	9 194 442*	1/40 ea.
500	9 194 443*	1/40 ea.
550	9 194 444*	1/40 ea.
600	9 194 445*	1/40 ea.
700	9 194 446*	1/20 ea.
800	9 194 447*	1/20 ea.
900	9 194 448*	1/20 ea.
1000	9 194 449*	1/20 ea.
1200	9 194 450*	1/20 ea.

10 Rear panel connector

- ▶ For wooden or aluminium rear panel



Nominal height mm	Order no.		PU
	left	right	
70	9 194 627	9 194 628	40 ea.

9 Aluminium rear panel

- ▶ For variable or standard carcass width
- ▶ For cutting to length
- ▶ Length 2000 mm
- ▶ Powder coated, white
- ▶ **10** Rear panel connectors must be ordered separately



Order no.	PU
9 194 518	1 ea.

*Available on request

- ▶ Internal drawer 100, height 70 mm
- ▶ Powder coated steel, white

Front panel for internal drawer

2 Front panel

- ▶ For standard carcass width
- ▶ With premounted connectors
- ▶ Powder coated aluminium, white / plastic, white



Carcass width mm	Order no.	PU
300	9 194 728	1/20 ea.
400	9 194 729	1/20 ea.
450	9 194 730	1/20 ea.
500	9 194 731	1/20 ea.
600	9 194 732	1/20 ea.
800	9 194 733	1/20 ea.
900	9 194 734	1/20 ea.
1000	9 194 735	1/20 ea.
1200	9 194 736	1/20 ea.

3 Aluminium front panel

- ▶ For variable or standard carcass width
- ▶ For cutting to length
- ▶ Length 2000 mm
- ▶ Powder coated, white
- ▶ **4** Connectors for aluminium front panel must be ordered separately



Order no.	PU
9 194 765	1 ea.

4 Connector for aluminium front panel

- ▶ For combination with **3** aluminium front panel
- ▶ Plastic, white



Order no.	PU
9 196 348	1 pair

5 Front stabiliser

- ▶ For stabilising wide front panels
- ▶ Recommended for use with carcasses in a width of 600 mm and over
- ▶ Plastic, white

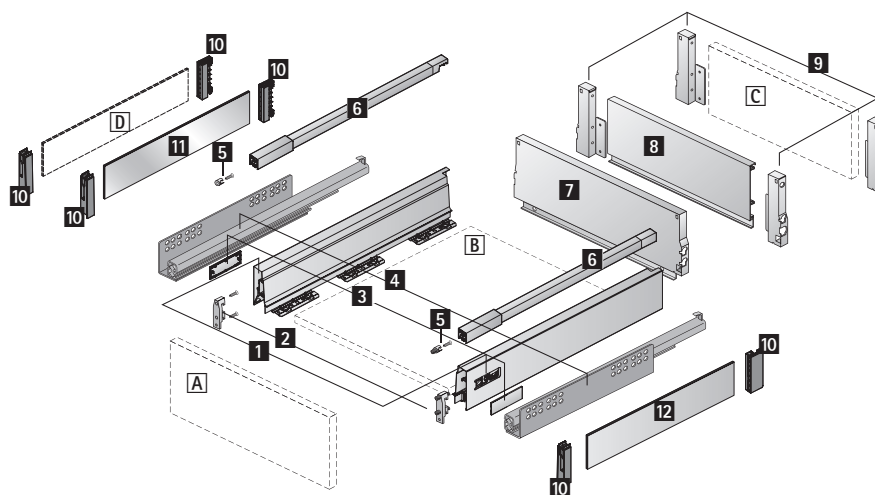


Order no.	PU
9 117 782	1/100 ea.

- ▶ Pot-and-pan drawer with railing, height 144 mm
- ▶ Powder coated steel, white



Exploded diagram



Components

- 1 Drawer side profile, left and right
- 2 Drawer front connector for drawer side profiles, 2 each
- 3 Cover cap, 2 each
- 4 Quadro drawer runner, left and right, see page 111
- 5 Drawer front connector for lengthwise railing, 2 each
- 6 Lengthwise railing, left and right
- 7 Steel rear panel (available on request)

Alternatively:

- 8 Aluminium rear panel or Wooden rear panel and
- 9 Rear panel connector, left and right

Optional accessories:

- 10 TopSide adapter
- 11 TopSide in metal

Alternative 1:

- 12 TopSide in glass

Alternative 2:

- TopSide in any chosen material

A Front panel

B Bottom panel (material thickness 16 mm)

C Wooden rear panel (material thickness 16 mm)

D TopSide in any chosen material (material thickness 4 mm)

Advice

- ▶ For technical information, see pages 148, 154 - 162
- ▶ For Quadro drawer runner, see page 111

- ▶ Pot-and-pan drawer with railing, height 144 mm
- ▶ Powder coated steel, white

All inclusive sets, set packaging*

Pot-and-pan drawer set with lengthwise railing

Set comprises:

- ▶ **1** 1 Drawer side profile, left and right
- ▶ **2** 2 Drawer front connectors for drawer side profile with expanding dowel
- ▶ **3** 2 Cover caps, white plastic with Hettich logo
- ▶ **6** 1 Lengthwise railing, left and right
- ▶ **5** 2 Drawer front connectors for lengthwise railing with expanding dowel
- ▶ **9** 1 Rear panel connector, left and right
- ▶ **4** 1 Drawer runner Quadro V6 with Silent System, left and right

Nominal length mm	Order no.	PU
420	9 214 804	1 set
470	9 214 820	1 set
520	9 214 826	1 set

All inclusive sets, bulk packaging

Pot-and-pan drawer set with lengthwise railing

Set comprises:

- ▶ **1** 1 Drawer side profile, left and right
- ▶ **2** 2 Drawer front connectors for drawer side profile with expanding dowel
- ▶ **3** 2 Cover caps, white plastic with Hettich logo
- ▶ **6** 1 Lengthwise railing, left and right
- ▶ **5** 2 Drawer front connectors for lengthwise railing with expanding dowel
- ▶ **9** 1 Rear panel connector, left and right
- ▶ **Optional: 4** 1 Drawer runner Quadro V6 with Silent System, left and right **or** for sets without Quadro see page 111

Nominal length mm	Order no.		PU
	Pot-and-pan drawer with Quadro	Pot-and-pan drawer without Quadro	
260	9 216 485	9 216 532	18 sets
300	9 216 486	9 216 533	18 sets
350	9 216 497	9 216 534	18 sets
420	9 216 498	9 216 535	18 sets
470	9 216 499	9 216 536	18 sets
520	9 216 500	9 216 537	18 sets
620		9 216 538	18 sets

*Not available in New Zealand

- ▶ Pot-and-pan drawer with railing, height 144 mm
- ▶ Powder coated steel, white

Components

1 Drawer side profile



Nominal length mm	Order no.		PU
	left	right	
260	9 194 404	9 194 405	18 ea.
300	9 194 406	9 194 407	18 ea.
350	9 194 408	9 194 409	18 ea.
420	9 194 410	9 194 411	18 ea.
470	9 194 412	9 194 413	18 ea.
520	9 194 414	9 194 415	18 ea.
620	9 194 416	9 194 417	18 ea.

2 Drawer front connector for drawer side profile

- ▶ Plastic, white



Mounting option	Order no.	PU
Screw-on	1 065 191	1/400 ea.
With expanding socket	1 061 450	1/400 ea.

3 Cover cap

- ▶ Plastic
- ▶ Cover cap with customised imprint available on request



Colour / finish	Order no.	PU
White with Hettich logo	9 194 647	1/300 ea.
White	9 194 644	1/300 ea.
Chrome look with Hettich logo	9 194 653	1/300 ea.
Chrome look	9 194 650	1/300 ea.

6 Lengthwise railing



Nominal length mm	Order no.		PU
	left	right	
260	9 194 536	9 194 537	80 ea.
300	9 194 538	9 194 539	80 ea.
350	9 194 540	9 194 541	80 ea.
420	9 194 542	9 194 543	80 ea.
470	9 194 544	9 194 545	80 ea.
520	9 194 546	9 194 547	80 ea.
620	9 194 548	9 194 549	80 ea.

5 Drawer front connector for lengthwise railing

- ▶ Plastic, white



Mounting option	Order no.	PU
Screw-on	9 002 503	1/400 ea.
With expanding socket	1 061 965	1/400 ea.

7 Steel rear panel (available on request)

- ▶ For standard carcass width



Carcass width mm	Order no.	PU
275	9 194 464*	1/20 ea.
300	9 194 465*	1/20 ea.
350	9 194 466*	1/20 ea.
400	9 194 467*	1/20 ea.
450	9 194 468*	1/20 ea.
500	9 194 469*	1/20 ea.
550	9 194 470*	1/20 ea.
600	9 194 471*	1/20 ea.
700	9 194 472*	1/10 ea.
800	9 194 474*	1/10 ea.
900	9 194 476*	1/10 ea.
1000	9 194 477*	1/10 ea.
1200	9 194 478*	1/10 ea.

*Available on request

- ▶ Pot-and-pan drawer with railing, height 144 mm
- ▶ Powder coated steel, white

9 Rear panel connector

- ▶ For wooden or **8** aluminium rear panel



Nominal height mm	Order no.		PU
	left	right	
144	9 194 635	9 194 636	40 ea.

10 TopSide adapter

- ▶ For use with **11** TopSide metal / **12** TopSide glass or TopSide in any other chosen material
- ▶ Plastic, white



Set comprises:

- ▶ 1 adapter, front, left and right
- ▶ 1 adapter, rear, left and right

Order no.	PU
9 194 658	1 set

12 TopSide in glass

- ▶ Float glass, clear
- ▶ **10** TopSide adapters must be ordered separately



Set comprises:

- ▶ 2 TopSides

Nominal length mm	Order no.	PU
260	9 194 663	1 set
300	9 194 664	1 set
350	9 194 665	1 set
420	9 194 666	1 set
470	9 194 667	1 set
520	9 194 668	1 set
620	9 194 669	1 set

8 Aluminium rear panel

- ▶ For variable or standard carcass width
- ▶ For cutting to length
- ▶ Length 2000 mm
- ▶ Powder coated, white
- ▶ **9** Rear panel connectors must be ordered separately



Order no.	PU
9 194 520	1 ea.

11 TopSide in metal

- ▶ **10** TopSide adapters must be ordered separately



Set comprises:

- ▶ 2 TopSides

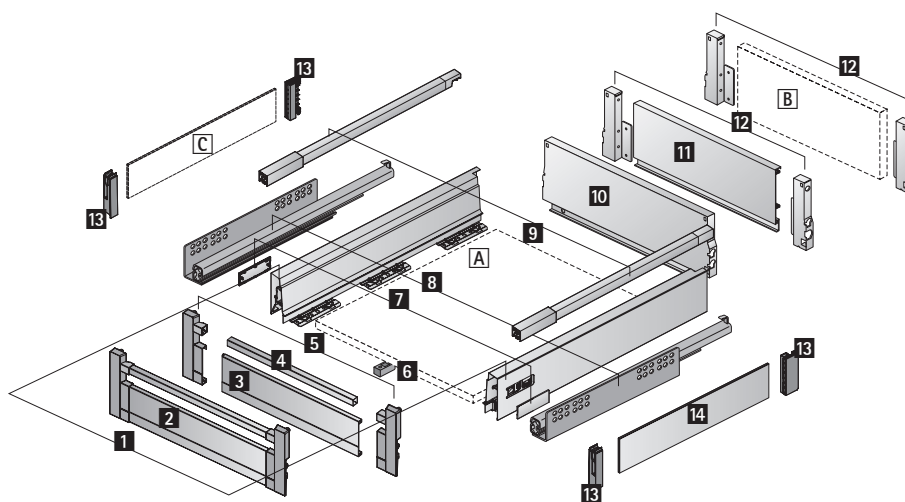
Nominal length mm	Order no.	PU
260	9 194 684	1 set
300	9 194 685	1 set
350	9 194 686	1 set
420	9 194 687	1 set
470	9 194 688	1 set
520	9 194 689	1 set
620	9 194 690	1 set

InnoTech Atira double walled drawer system

- ▶ Internal pot-and-pan drawer 100 with railing, height 144 mm
- ▶ Powder coated steel, white



Exploded diagram



Components

1 Drawer side profile, left and right

2 Front panel

Alternatively:

3 Aluminium front panel and

4 Railing for aluminium front panel and

5 Connector for aluminium front panel

6 Front stabiliser

7 Cover cap, 2 each

8 Quadro drawer runner, left and right, see page 111

9 Lengthwise railing, left and right

10 Steel rear panel (available on request)

Alternatively:

11 Aluminium rear panel or **B** Wooden rear panel and

12 Rear panel connector, left and right

Optional accessories:

13 TopSide adapter

14 TopSide in metal

Alternatively:

C TopSide in any chosen material

A Bottom panel (material thickness 16 mm)

B Wooden rear panel (material thickness 16 mm)

C TopSide in any chosen material (material thickness 4 mm)

Advice

- ▶ For technical information, see pages 149, 154 - 162
- ▶ For Quadro drawer runner, see page 111

InnoTech Atira double walled drawer system



- ▶ Internal pot-and-pan drawer 100 with railing, height 144 mm
- ▶ Powder coated steel, white

All inclusive sets, bulk packaging

Internal pot-and-pan drawer 100, set

Set comprises:

- ▶ **1** 1 Drawer side profile, left and right
- ▶ **2** 1 set (pair) of connectors for aluminium front panel
- ▶ **7** 2 Cover caps, white plastic with Hettich logo
- ▶ **9** 1 Lengthwise railing, left and right
- ▶ **12** 1 Rear panel connector, left and right

Note:

- ▶ Internal front panel and front railing must be ordered separately, see page 79

Nominal length mm	Order no.	PU
350	9 216 574	18 sets
420	9 216 575	18 sets
470	9 216 576	18 sets
520	9 216 577	18 sets
620	9 216 578	18 sets

- ▶ Internal pot-and-pan drawer 100 with railing, height 144 mm
- ▶ Powder coated steel, white

Components

1 Drawer side profile



Nominal length mm	Order no.		PU
	left	right	
350	9 194 408	9 194 409	18 ea.
420	9 194 410	9 194 411	18 ea.
470	9 194 412	9 194 413	18 ea.
520	9 194 414	9 194 415	18 ea.
620	9 194 416	9 194 417	18 ea.

7 Cover cap

- ▶ Plastic
- ▶ Cover cap with customised imprint available on request



Colour / finish	Order no.	PU
White with Hettich logo	9 194 647	1/300 ea.
White	9 194 644	1/300 ea.
Chrome look with Hettich logo	9 194 653	1/300 ea.
Chrome look	9 194 650	1/300 ea.

9 Lengthwise railing



Nominal length mm	Order no.		PU
	left	right	
350	9 194 576	9 194 577	80 ea.
420	9 194 578	9 194 579	80 ea.
470	9 194 580	9 194 581	80 ea.
520	9 194 582	9 194 583	80 ea.
620	9 194 584	9 194 585	80 ea.

10 Steel rear panel (available on request)

- ▶ For standard carcass width



Carcass width mm	Order no.	PU
275	9 194 464*	1/20 ea.
300	9 194 465*	1/20 ea.
350	9 194 466*	1/20 ea.
400	9 194 467*	1/20 ea.
450	9 194 468*	1/20 ea.
500	9 194 469*	1/20 ea.
550	9 194 470*	1/20 ea.
600	9 194 471*	1/20 ea.
700	9 194 472*	1/10 ea.
800	9 194 474*	1/10 ea.
900	9 194 476*	1/10 ea.
1000	9 194 477*	1/10 ea.
1200	9 194 478*	1/10 ea.

12 Rear panel connector

- ▶ For wooden or **11** aluminium rear panel



Nominal height mm	Order no.		PU
	left	right	
144	9 194 635	9 194 636	40 ea.

11 Aluminium rear panel

- ▶ For variable or standard carcass width
- ▶ For cutting to length
- ▶ Length 2000 mm
- ▶ Powder coated, white
- ▶ **12** Rear panel connectors must be ordered separately



Order no.	PU
9 194 520	1 ea.

13 TopSide adapter

- ▶ For use with **14** TopSide metal or TopSide in any other chosen material
- ▶ Plastic, white



Set comprises:

- ▶ 1 adapter, front, left and right
- ▶ 1 adapter, rear, left and right

Order no.	PU
9 194 658	1 set

14 TopSide in metal

- ▶ **13** TopSide adapters must be ordered separately



Set comprises:

- ▶ 2 TopSides

Nominal length mm	Order no.	PU
350	9 206 224	1 set
420	9 206 225	1 set
470	9 206 227	1 set
520	9 206 230	1 set
620	9 206 231	1 set

*Available on request

- ▶ Internal pot-and-pan drawer 100 with railing, height 144 mm
- ▶ Powder coated steel, white

Front panel for internal pot-and-pan drawer

2 Front panel

- ▶ For standard carcass width
- ▶ With premounted connectors and premounted railing
- ▶ Powder coated aluminium, white / plastic, white



Carcass width mm	Order no.	PU
300	9 194 779	1/20 ea.
400	9 194 780	1/20 ea.
450	9 194 781	1/20 ea.
500	9 194 782	1/20 ea.
600	9 194 783	1/20 ea.
800	9 194 784	1/20 ea.
900	9 194 785	1/20 ea.
1000	9 194 786	1/20 ea.
1200	9 194 787	1/20 ea.

3 Aluminium front panel

- ▶ For variable or standard carcass width
- ▶ For cutting to length
- ▶ Length 2000 mm
- ▶ Powder coated, white
- ▶ **4** Railing and **5** connectors for aluminium front panel must be ordered separately



Order no.	PU
9 194 765	1 ea.

4 Railing for aluminium front panel

- ▶ Steel
- ▶ For variable or standard carcass width
- ▶ For cutting to length
- ▶ Length 2000 mm
- ▶ **3** Aluminium front panel and **5** connectors for aluminium front panel must be ordered separately



Article name	Length mm	Order no.	PU
Crosswise railing	2000	9 194 615	1/30 ea.

6 Front stabiliser

- ▶ For stabilising wide front panels
- ▶ Recommended for use with carcasses in a width of 600 mm and over
- ▶ Plastic, white



Order no.	PU
9 117 782	1/100 ea.

5 Connector for aluminium front panel

- ▶ For combination with **3** aluminium front panel and **4** railing for aluminium front panel
- ▶ Plastic, white



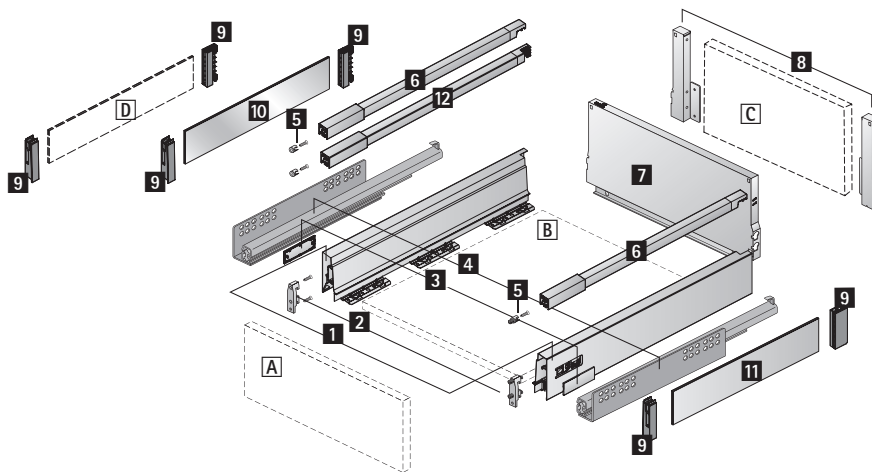
Order no.	PU
9 204 258	1 pair

InnoTech Atira double walled drawer system

- ▶ Pot-and-pan drawer with railing, height 176 mm
- ▶ Powder coated steel, white



Exploded diagram



Components

- 1 Drawer side profile, left and right
- 2 Drawer front connector for drawer side profiles, 2 each
- 3 Cover cap, 2 each
- 4 Quadro drawer runner, left and right, see page 111
- 5 Drawer front connector for lengthwise railing, 2 each
- 6 Lengthwise railing, left and right
- 7 Steel rear panel (available on request)

Alternatively:

- C Wooden rear panel and
- 8 Rear panel connector, left and right

Optional accessories:

- 9 TopSide adapter and
- 10 TopSide in metal

Alternative 1:

- 9 TopSide adapter and
- 11 TopSide in glass

Alternative 2:

- 9 TopSide adapter and
- D TopSide in any chosen material

Alternative 3:

- 12 Double railing and
- 5 Drawer front connector for lengthwise railing, 2 each

- A Front panel
- B Bottom panel (material thickness 16 mm)
- C Wooden rear panel (material thickness 16 mm)
- D TopSide in any chosen material (material thickness 4 mm)

Advice

- ▶ For technical information, see pages 150, 154 - 162
- ▶ For Quadro drawer runner, see page 111

- ▶ Pot-and-pan drawer with railing, height 176 mm
- ▶ Powder coated steel, white

All inclusive sets, set packaging*

Pot-and-pan drawer set with lengthwise railing

Set comprises:

- ▶ **1** 1 Drawer side profile, left and right
- ▶ **2** 2 Drawer front connectors for drawer side profile with expanding dowel
- ▶ **3** 2 Cover caps, white plastic with Hettich logo
- ▶ **6** 1 Lengthwise railing, left and right
- ▶ **5** 2 Drawer front connectors for lengthwise railing with expanding dowel
- ▶ **8** 1 Rear panel connector, left and right
- ▶ **4** 1 Drawer runner Quadro V6 with Silent System, left and right

Nominal length mm	Order no.	PU
420	9 214 805	1 set
470	9 214 821	1 set
520	9 214 827	1 set

All inclusive sets, bulk packaging

Pot-and-pan drawer set with lengthwise railing

Set comprises:

- ▶ **1** 1 Drawer side profile, left and right
- ▶ **2** 2 Drawer front connectors for drawer side profile with expanding dowel
- ▶ **3** 2 Cover caps, white plastic with Hettich logo
- ▶ **6** 1 Lengthwise railing, left and right
- ▶ **5** 2 Drawer front connectors for lengthwise railing with expanding dowel
- ▶ **8** 1 Rear panel connector, left and right
- ▶ **Optional: 4** 1 Drawer runner Quadro V6 with Silent System, left and right **or** for sets without Quadro see page 111

Nominal length mm	Order no.		PU
	Pot-and-pan drawer with Quadro	Pot-and-pan drawer without Quadro	
260	9 216 501	9 216 539	18 sets
300	9 216 502	9 216 540	18 sets
350	9 216 503	9 216 541	18 sets
420	9 216 504	9 216 542	18 sets
470	9 216 505	9 216 543	18 sets
520	9 216 506	9 216 544	18 sets
620		9 216 545	18 sets

*Not available in New Zealand

- ▶ Pot-and-pan drawer with railing, height 176 mm
- ▶ Powder coated steel, white

Components

1 Drawer side profile



Nominal length mm	Order no.		PU
	left	right	
260	9 194 404	9 194 405	18 ea.
300	9 194 406	9 194 407	18 ea.
350	9 194 408	9 194 409	18 ea.
420	9 194 410	9 194 411	18 ea.
470	9 194 412	9 194 413	18 ea.
520	9 194 414	9 194 415	18 ea.
620	9 194 416	9 194 417	18 ea.

2 Drawer front connector for drawer side profile

- ▶ Plastic, white



Mounting option	Order no.	PU
Screw-on	1 065 191	1/400 ea.
With expanding socket	1 061 450	1/400 ea.

3 Cover cap

- ▶ Plastic
- ▶ Cover cap with customised imprint available on request



Colour / finish	Order no.	PU
White with Hettich logo	9 194 647	1/300 ea.
White	9 194 644	1/300 ea.
Chrome look with Hettich logo	9 194 653	1/300 ea.
Chrome look	9 194 650	1/300 ea.

6 Lengthwise railing



Nominal length mm	Order no.		PU
	right	left	
260	9 194 537	9 194 536	80 ea.
300	9 194 539	9 194 538	80 ea.
350	9 194 541	9 194 540	80 ea.
420	9 194 543	9 194 542	80 ea.
470	9 194 545	9 194 544	80 ea.
520	9 194 547	9 194 546	80 ea.
620	9 194 549	9 194 548	80 ea.

5 Drawer front connector for lengthwise railing

- ▶ Plastic, white



Mounting option	Order no.	PU
Screw-on	9 002 503	1/400 ea.
With expanding socket	1 061 965	1/400 ea.

7 Steel rear panel (available on request)

- ▶ For standard carcass width



Carcass width mm	Order no.	PU
300	9 194 494*	1/20 ea.
350	9 194 495*	1/20 ea.
400	9 194 496*	1/20 ea.
450	9 194 497*	1/20 ea.
500	9 194 498*	1/20 ea.
550	9 194 499*	1/20 ea.
600	9 194 500*	1/20 ea.
700	9 209 982*	1/10 ea.
800	9 194 502*	1/10 ea.
900	9 194 503*	1/10 ea.
1000	9 194 504*	1/10 ea.
1200	9 194 505*	1/10 ea.

*Available on request

- ▶ Pot-and-pan drawer with railing, height 176 mm
- ▶ Powder coated steel, white

8 Rear panel connector

- ▶ For wooden rear panel



Nominal height mm	Order no.		PU
	left	right	
176	9 194 639	9 194 640	40 ea.

10 TopSide in metal

- ▶ **9** TopSide adapters must be ordered separately



- Set comprises:
- ▶ 2 TopSides

Nominal length mm	Order no.	PU
260	9 194 705	1 set
300	9 194 706	1 set
350	9 194 707	1 set
420	9 194 708	1 set
470	9 194 709	1 set
520	9 194 710	1 set
620	9 194 711	1 set

9 TopSide adapter

- ▶ For use with **10** TopSide metal, **11** TopSide glass or TopSide in any other chosen material
- ▶ Plastic, white



Set comprises:

- ▶ 1 adapter, front, left and right
- ▶ 1 adapter, rear, left and right

Order no.	PU
9 194 661	1 set

11 TopSide in glass

- ▶ Float glass, clear
- ▶ **9** TopSide adapters must be ordered separately



Set comprises:

- ▶ 2 TopSides

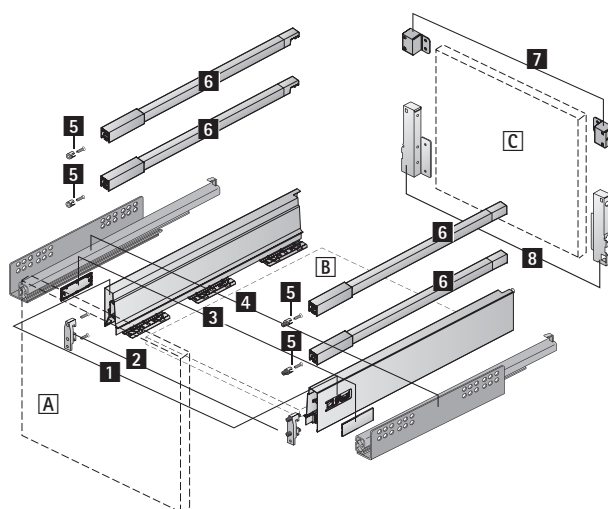
Nominal length mm	Order no.	PU
260	9 194 670	1 set
300	9 194 671	1 set
350	9 194 672	1 set
420	9 194 673	1 set
470	9 194 674	1 set
520	9 194 675	1 set
620	9 194 676	1 set

- ▶ Pot-and-pan drawer with railing, variable back panel height
- ▶ Powder coated steel, white



- ▶ Maximum back panel height 500 mm
- ▶ The back panel must be screwed into place with at least 2 additional screws - from a carcass width of 600 mm at least 3 screws and from a carcass width of 900 mm at least 4 screws.
- ▶ Additional front stabilisers must be fitted if the rear panel is higher than 200 mm, see page 121
- ▶ Other configurations are also possible

Exploded diagram



Components

- 1 Drawer side profile, left and right
- 2 Drawer front connector for drawer side profiles, 2 each
- 3 Cover cap, 2 each
- 4 Quadro drawer runner, left and right, see page 111
- 5 Drawer front connector for lengthwise railing, 4 each
- 6 Lengthwise railing, left and right
- 7 Adapter for lengthwise railing, 2 each
- C Wooden rear panel
- 8 Rear panel connector, left and right
- A Front panel
- B Bottom panel (material thickness 16 mm)
- C Wooden rear panel (material thickness 16 mm)

Advice

- ▶ For technical information, see pages 151, 154 - 162
- ▶ For Quadro drawer runner, see page 111

- ▶ Pot-and-pan drawer with railing, customised rear panel height
- ▶ Powder coated steel, white

All inclusive sets, set packaging*

Pot-and-pan drawer set with lengthwise railing

Set comprises:

- ▶ **1** 1 Drawer side profile, left and right
- ▶ **2** 2 Drawer front connectors for drawer side profile with expanding dowel
- ▶ **3** 2 Cover caps, white plastic with Hettich logo
- ▶ **6** 1 Lengthwise railing, left and right
- ▶ **5** 2 Drawer front connectors for lengthwise railing with expanding dowel
- ▶ **8** 1 Rear panel connector, left and right
- ▶ **4** 1 Drawer runner Quadro V6 with Silent System, left and right

- ▶ Components for upper lengthwise railing must be ordered separately, see page 86

Nominal length mm	Order no.	PU
420	9 214 804	1 set
470	9 214 820	1 set
520	9 214 826	1 set

All inclusive sets, bulk packaging

Pot-and-pan drawer set with lengthwise railing

Set comprises:

- ▶ **1** 1 Drawer side profile, left and right
- ▶ **2** 2 Drawer front connectors for drawer side profile with expanding dowel
- ▶ **3** 2 Cover caps, white plastic with Hettich logo
- ▶ **6** 1 Lengthwise railing, left and right
- ▶ **5** 2 Drawer front connectors for lengthwise railing with expanding dowel
- ▶ **8** 1 Rear panel connector, left and right
- ▶ **Optional: 4** 1 Drawer runner Quadro V6 with Silent System, left and right **or** for sets without Quadro see page 111

- ▶ Components for upper lengthwise railing must be ordered separately, see page 86

Nominal length mm	Order no.		PU
	Pot-and-pan drawer with Quadro	Pot-and-pan drawer without Quadro	
260	9 216 485	9 216 532	18 sets
300	9 216 486	9 216 533	18 sets
350	9 216 497	9 216 534	18 sets
420	9 216 498	9 216 535	18 sets
470	9 216 499	9 216 536	18 sets
520	9 216 500	9 216 537	18 sets
620		9 216 538	18 sets

*Not available in New Zealand

- ▶ Pot-and-pan drawer with railing, customised rear panel height
- ▶ Powder coated steel, white

Components

1 Drawer side profile



Nominal length mm	Order no.		PU
	left	right	
260	9 194 404	9 194 405	18 ea.
300	9 194 406	9 194 407	18 ea.
350	9 194 408	9 194 409	18 ea.
420	9 194 410	9 194 411	18 ea.
470	9 194 412	9 194 413	18 ea.
520	9 194 414	9 194 415	18 ea.
620	9 194 416	9 194 417	18 ea.

3 Cover cap

- ▶ Plastic
- ▶ Cover cap with customised imprint available on request



Colour / finish	Order no.	PU
White	9 194 644	1/300 ea.
White with Hettich logo	9 194 647	1/300 ea.
Chrome look	9 194 650	1/300 ea.
Chrome look with Hettich logo	9 194 653	1/300 ea.

5 Drawer front connector for lengthwise railing

- ▶ Plastic, white



Mounting option	Order no.	PU
Screw-on	9 002 503	1/400 ea.
With expanding socket	1 061 965	1/400 ea.

8 Rear panel connector

- ▶ For wooden rear panel



Nominal height mm	Order no.		PU
	left	right	
144	9 194 635	9 194 636	40 ea.

2 Drawer front connector for drawer side profile

- ▶ Plastic, white



Mounting option	Order no.	PU
Screw-on	1 065 191	1/400 ea.
With expanding socket	1 061 450	1/400 ea.

6 Lengthwise railing



Nominal length mm	Order no.		PU
	left	right	
260	9 194 536	9 194 537	80 ea.
300	9 194 538	9 194 539	80 ea.
350	9 194 540	9 194 541	80 ea.
420	9 194 542	9 194 543	80 ea.
470	9 194 544	9 194 545	80 ea.
520	9 194 546	9 194 547	80 ea.
620	9 194 548	9 194 549	80 ea.

7 Adapter for lengthwise railing

- ▶ for use with lengthwise railing for timber back panels in flexible heights
- ▶ Suitable for use on left or right



Order no.	PU
9 206 257	1/80 ea.

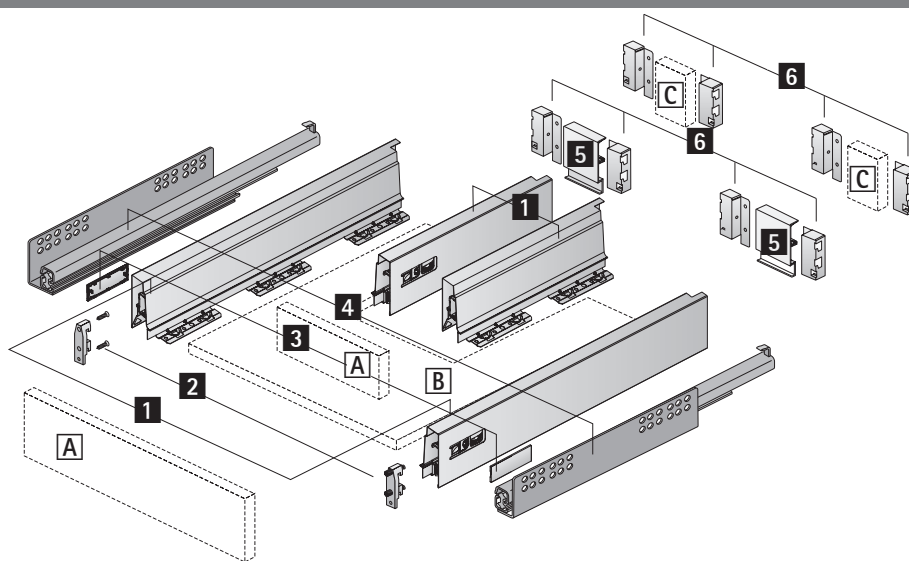
InnoTech Aтира double walled drawer system

- ▶ Drawer with bottom cutout, height 70 mm
- ▶ Powder coated steel, white



- ▶ For utilising the space below the sink
- ▶ Other configurations are also possible

Exploded diagram



Components

- 1** Drawer side profile, 2 each left and right
- 2** Drawer front connector for drawer side profile, 4 each
- 3** Cover cap, 4 each
- 4** Quadro drawer runner, left and right, see page 111
- 5** Aluminium rear panel

Alternatively:

- Wooden rear panel
- 6** Rear panel connector, 2 each on left and right
- A** Front panel
- B** Bottom panel (material thickness 16 mm)
- Wooden rear panel (material thickness 16 mm)

Advice

- ▶ For technical information, see pages 152, 154 - 162
- ▶ For Quadro drawer runner, see page 111

- ▶ Drawer with bottom cutout, height 70 mm
- ▶ Powder coated steel, white

All inclusive sets, bulk packaging

Drawer set

Set comprises:

- ▶ **1** 1 Drawer side profile, left and right
- ▶ **2** 2 Drawer front connectors with expanding dowel
- ▶ **3** 2 Cover caps, white plastic with Hettich logo
- ▶ **6** 1 Rear panel connector, left and right
- ▶ **Optional: 4** 1 Drawer runner Quadro V6 with Silent System, left and right **or** for sets without Quadro see page 111

Nominal length mm	Order no.		PU
	Drawer with- out Quadro	Drawer with Quadro	
260	9 216 525		18 sets
300	9 216 526		18 sets
350	9 216 527	9 216 481	18 sets
420	9 216 528	9 216 482	18 sets
470	9 216 529	9 216 483	18 sets
520	9 216 530	9 216 484	18 sets
620	9 216 531		18 sets

Components

1 Drawer side profile



Nominal length mm	Order no.		PU
	left	right	
260	9 194 404	9 194 405	18 ea.
300	9 194 406	9 194 407	18 ea.
350	9 194 408	9 194 409	18 ea.
420	9 194 410	9 194 411	18 ea.
470	9 194 412	9 194 413	18 ea.
520	9 194 414	9 194 415	18 ea.
620	9 194 416	9 194 417	18 ea.

2 Drawer front connector for drawer side profile

- ▶ Plastic, white



Mounting option	Order no.	PU
Screw-on	1 065 191	1/400 ea.
With expanding socket	1 061 450	1/400 ea.

3 Cover cap

- ▶ Plastic
- ▶ Cover cap with customised imprint available on request



Colour / finish	Order no.	PU
White	9 194 644	1/300 ea.
White with Hettich logo	9 194 647	1/300 ea.
Chrome look	9 194 650	1/300 ea.
Chrome look with Hettich logo	9 194 653	1/300 ea.

6 Rear panel connector

- ▶ For wooden or **5** aluminium rear panel



Nominal height mm	Order no.		PU
	left	right	
70	9 194 627	9 194 628	40 ea.

5 Aluminium rear panel

- ▶ For variable or standard carcass width
- ▶ For cutting to length
- ▶ Length 2000 mm
- ▶ Powder coated, white
- ▶ **6** Rear panel connectors must be ordered separately



Order no.	PU
9 194 518	1 ea.

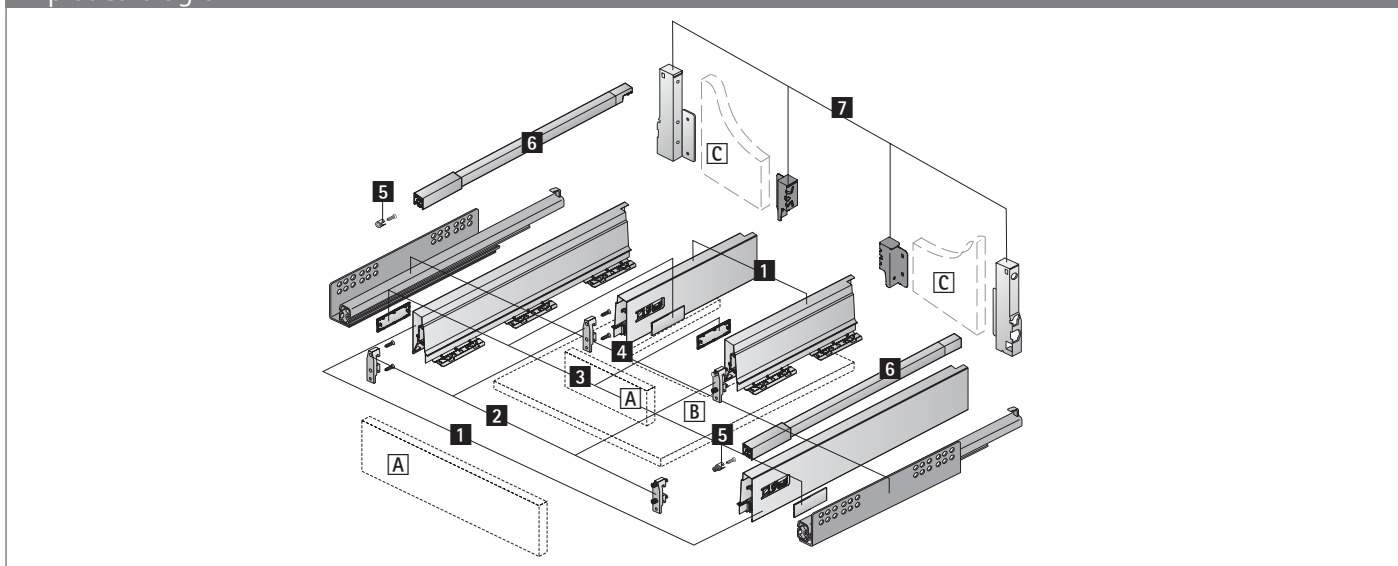
InnoTech Aтира double walled drawer system

- ▶ Pot-and-pan drawer with bottom cutout, height 144 mm
- ▶ Powder coated steel, white



- ▶ For utilising the space below the sink
- ▶ Other configurations are also possible

Exploded diagram



Components

- 1 Drawer side profile, 2 each left and right
- 2 Drawer front connector for drawer side profile, 4 each
- 3 Cover cap, 4 each
- 4 Quadro drawer runner, left and right, see page 111
- 5 Drawer front connector for lengthwise railing, 2 each
- 6 Lengthwise railing, left and right
- C Wooden rear panel and
- 7 Rear panel connector, 2 each on left and right
- A Front panel
- B Bottom panel (material thickness 16 mm)
- C Wooden rear panel (material thickness 16 mm)

Advice

- ▶ For technical information, see pages 153, 154 - 162
- ▶ For Quadro drawer runner, see page 111

- ▶ Pot-and-pan drawer with bottom cutout, height 144 mm
- ▶ Powder coated steel, white

All inclusive sets, bulk packaging

Drawer set / Pot-and-pan drawer set with lengthwise railing

Drawer set comprises:

- ▶ **1** 1 Drawer side profile, left and right
- ▶ **2** 2 Drawer front connectors with expanding dowel
- ▶ **3** 2 Cover caps, white plastic with Hettich logo
- ▶ **7** 1 Rear panel connector, left and right

Pot-and-pan drawer set comprises:

- ▶ **1** 1 Drawer side profile, left and right
- ▶ **2** 2 Drawer front connectors for drawer side profile with expanding dowel
- ▶ **3** 2 Cover caps, white plastic with Hettich logo
- ▶ **6** 1 Lengthwise railing, left and right
- ▶ **5** 2 Drawer front connectors for lengthwise railing with expanding dowel
- ▶ **7** 1 Rear panel connector, left and right
- ▶ **4** 1 Drawer runner Quadro V6 with Silent System, left and right

Nominal length mm	Order no.		PU
	Drawer with-out Quadro	Pot-and-pan drawer with Quadro	
260	9 216 525		18 sets
300	9 216 526		18 sets
350	9 216 527	9 216 497	18 sets
420	9 216 528	9 216 498	18 sets
470		9 216 499	18 sets
520		9 216 500	18 sets

- ▶ Pot-and-pan drawer with bottom cutout, height 144 mm
- ▶ Powder coated steel, white

Components

1 Drawer side profile



Nominal length mm	Order no.		PU
	left	right	
260	9 194 404	9 194 405	18 ea.
300	9 194 406	9 194 407	18 ea.
350	9 194 408	9 194 409	18 ea.
420	9 194 410	9 194 411	18 ea.
470	9 194 412	9 194 413	18 ea.
520	9 194 414	9 194 415	18 ea.
620	9 194 416	9 194 417	18 ea.

2 Drawer front connector for drawer side profile

- ▶ Plastic, white



Mounting option	Order no.	PU
Screw-on	1 065 191	1/400 ea.
With expanding socket	1 061 450	1/400 ea.

3 Cover cap

- ▶ Plastic
- ▶ Cover cap with customised imprint available on request



Colour / finish	Order no.	PU
White	9 194 644	1/300 ea.
White with Hettich logo	9 194 647	1/300 ea.
Chrome look	9 194 650	1/300 ea.
Chrome look with Hettich logo	9 194 653	1/300 ea.

6 Lengthwise railing



Nominal length mm	Order no.		PU
	left	right	
260	9 194 536	9 194 537	80 ea.
300	9 194 538	9 194 539	80 ea.
350	9 194 540	9 194 541	80 ea.
420	9 194 542	9 194 543	80 ea.
470	9 194 544	9 194 545	80 ea.
520	9 194 546	9 194 547	80 ea.
620	9 194 548	9 194 549	80 ea.

5 Drawer front connector for lengthwise railing

- ▶ Plastic, white



Mounting option	Order no.	PU
Screw-on	9 002 503	1/400 ea.
With expanding socket	1 061 965	1/400 ea.

7 Rear panel connector

- ▶ For wooden rear panel



Nominal height mm	Order no.		PU
	left	right	
70	9 194 627	9 194 628	40 ea.
144	9 194 635	9 194 636	40 ea.

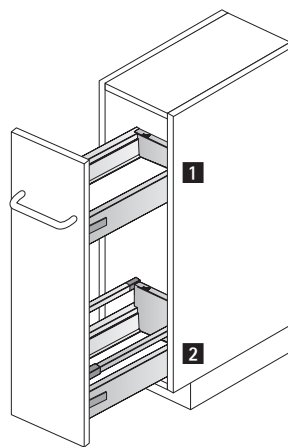
InnoTech Atira double walled drawer system



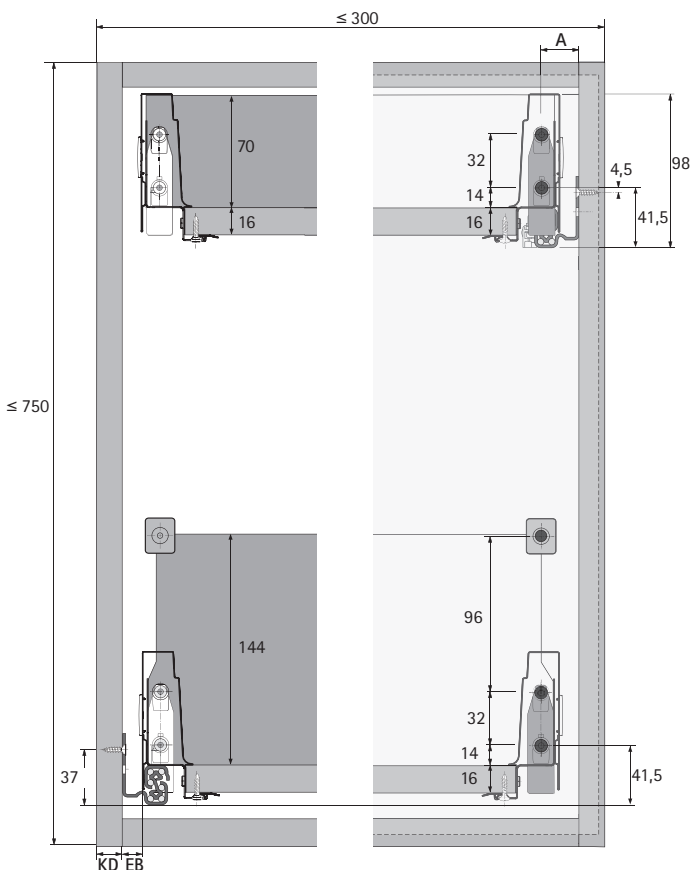
- ▶ Narrow base unit
- ▶ Powder coated steel, white



- ▶ Suitable for cabinet width min. 150 and max. 300 mm
- ▶ Stability through diagonally mounted runners (left / right)
- ▶ Load capacity up to 20 kg
- ▶ Other configurations are possible e.g. use of TopSide metal or glass



Example application



Set comprises:

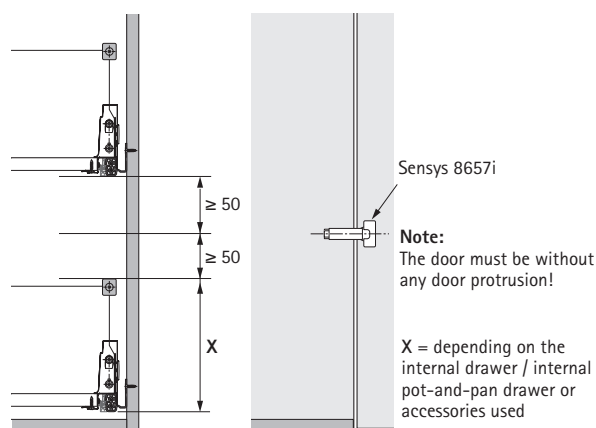
- ▶ 2 Drawer side profiles, left and right
- ▶ 4 Rear panel connectors, left and right
- ▶ 1 Lengthwise railing, left and right
- ▶ 4 Drawer front connectors for drawer side profile with expanding dowel
- ▶ 2 Drawer front connectors for lengthwise railing with expanding dowel
- ▶ 4 Cover caps, white plastic with Hettich logo
- ▶ 1 Drawer runner Quadro V6 with Silent System, left and right

Nominal length mm	Order no.	PU
470	9 214 727	1 set
520	9 214 728	1 set

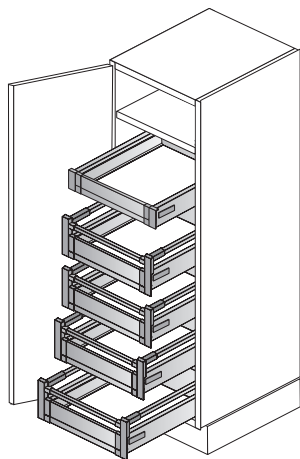
- ▶ Pantry
- ▶ Powder coated steel, white



- ▶ Versatile pantry unit with internal drawers behind hinged doors
- ▶ Maximum use of storage area
- ▶ Flexibility in cabinet height and width
- ▶ Suitable for pantry units starting from 300 mm in width – wider than 600 mm 2 hinged doors are recommended
- ▶ Sensys 8657i fast assembly hinge with no door protrusion is recommended



All inclusive sets



Set comprises:

- ▶ 5 Drawer side profiles, left and right
- ▶ 5 Rear panel connectors, left and right
- ▶ 4 Lengthwise railing, left and right
- ▶ 1 Front for internal drawer **or** 1 connector for aluminium front panel, left and right
- ▶ 4 Fronts for internal pot-and-pan drawer **or** 4 connectors for aluminium front panel, left and right
- ▶ 10 Cover caps, white plastic with Hettich logo
- ▶ 5 Drawer runner Quadro V6 with Silent System, left and right

Pantry cabinet width	Order no. / nominal length mm		PU
	470	520	
300	9 214 707	9 214 717	1 set
400	9 214 708	9 214 718	1 set
450	9 214 709	9 214 719	1 set
500	9 214 710	9 214 720	1 set
Variable width*	9 214 711	9 214 721	1 set

*Note:

- ▶ Internal front panel and front railing must be ordered separately, see page 79

InnoTech Atira double walled drawer system



- ▶ Range summary, interior organisers
- ▶ Powder coated steel, white



OrgaTray 440 / 480
for drawers / internal drawers

96



OrgaTray 490
for drawers / internal drawers

97



OrgaTray 590
for drawers / internal drawers

98



OrgaTray 610
for drawers / internal drawers

99



OrgaStore 410 for pot-and-pan drawers /
internal pot-and-pan drawers

100



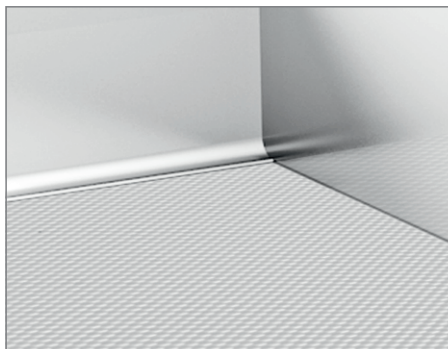
OrgaFlag for pot-and-pan drawers /
internal pot-and-pan drawers

101



OrgaStore 820 for pot-and-pan drawers /
internal pot-and-pan drawers

102 - 103



Accessories

104

InnoTech Atira double walled drawer system

- ▶ Internal organisation system for drawers and internal drawers
- ▶ Powder coated steel, white



- ▶ For general-purpose use
- ▶ Knife and spice rack can be incorporated, see page 104
- ▶ Plastic, silver

OrgaTray 440

Width mm	Order no. / depth mm			PU
	370 - 440	441 - 520	581 - 620	
175 - 200	9 194 948	9 194 961		1 ea.
201 - 250	9 194 949	9 194 962		1 ea.
251 - 300	9 194 950	9 194 963		1 ea.
301 - 350	9 194 951	9 194 964		1 ea.
351 - 400	9 194 952	9 194 965		1 ea.
401 - 450	9 194 953	9 194 966		1 ea.
451 - 500	9 194 954	9 194 967		1 ea.
501 - 600	9 194 955	9 194 968	9 194 974	1 ea.
601 - 700	9 194 956	9 194 969	9 202 777	1 ea.
701 - 800	9 194 957	9 194 970	9 194 975	1 ea.
801 - 900	9 194 958	9 194 971	9 194 976	1 ea.
901 - 1000	9 194 959	9 194 972	9 194 977	1 ea.
1091 - 1150	9 194 960	9 194 973	9 194 978	1 ea.

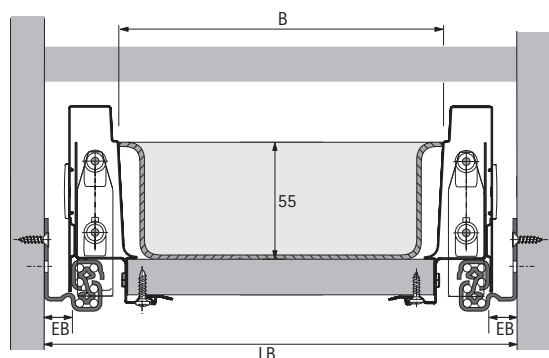
Partitioning

D 370 - 440													
D 441 - 520													
D 581 - 620													
W	175-200	201-250	251-300	301-350	351-400	401-450	451-500	501-600	601-700	701-800	801-900	901-1000	1091-1150
NW	275	300	350	400	450	500	550	600	700	800	900	1000	1200

* = knife and spice rack can be incorporated

D = Depth W = Width NW = Nominal width

Dimensional drawing



- ▶ Trimmed width (B) = LB - 62
- ▶ When using edge profiles, see page 104:
Trimmed width (B) = LB - 66
- ▶ Trimmed depth = nominal length - 7.7

InnoTech Atira double walled drawer system

- ▶ Internal organisation system for drawers and internal drawers
- ▶ Powder coated steel, white



- ▶ Variable in width, suitable for cabinet width starting from 450 mm
- ▶ Two trays can be fitted in a cabinet width starting from 800 mm
- ▶ plastic, white

OrgaTray 490

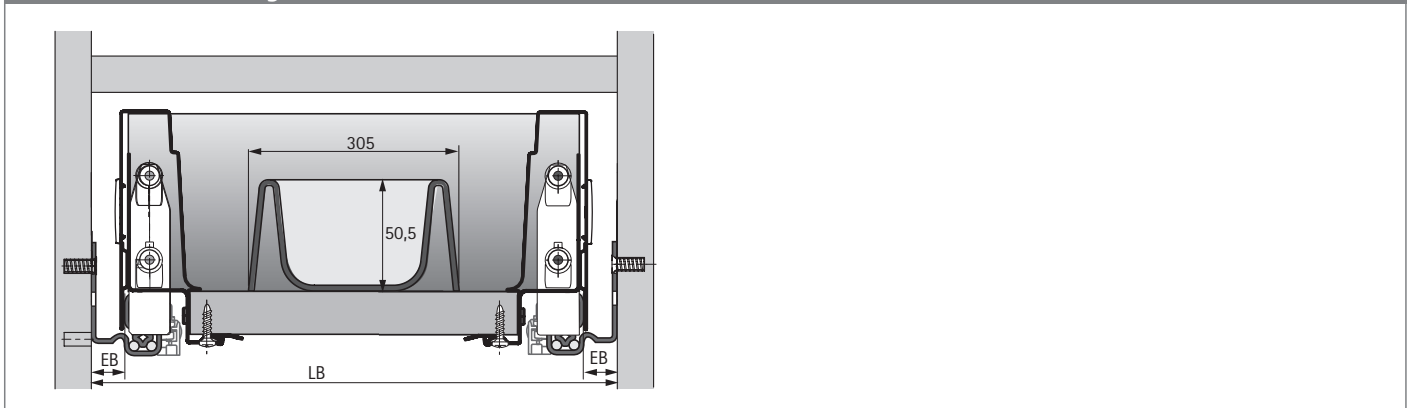
Order no. / nominal length mm		PU
470	520	
9 207 243	9 207 245	1 ea.

Partitioning

NL	D	
470	462	
520	512	
W	302	
CW	450-1200	

NL = Nominal length D = Depth W = Width CW = Carcase width

Dimensional drawing



InnoTech Atira double walled drawer system



- ▶ Internal organisation system for drawers and internal drawers
- ▶ Powder coated steel, white



- ▶ For nominal length 470 mm
- ▶ Suitable for standard cabinet width
- ▶ Plastic, white

- Set comprises:
- ▶ 1 plastic cutlery tray
 - ▶ Dividing elements for partitioning drawer to suit needs (quantity differs depending on width, see illustration of partitioning)

OrgaTray, 590

Cabinet width mm	Order no.	PU
300	9 194 897	1 set
400	9 194 898	1 set
450	9 194 899	1 set
500	9 194 900	1 set
600	9 194 902	1 set
800	9 194 903	1 set
900	9 194 904	1 set
1000	9 194 905	1 set

Partitioning

NL	D	Diagram 1	Diagram 2	Diagram 3	Diagram 4	Diagram 5	Diagram 6	Diagram 7	Diagram 8
470	462								
W		207	307	357	407	507	707	807	907
CW		300	400	450	500	600	800	900	1000

NL = Nominal length D = Depth W = Width CW = Carcase width

Dividing elements



- ▶ For OrgaTray 590
- ▶ Plastic, white

Nominal length mm	Order no.	PU
68	9 204 230	1/50 ea.
128	9 204 201	1/50 ea.

InnoTech Atira double walled drawer system

- ▶ Internal organisation system for drawers and internal drawers
- ▶ Powder coated steel, white



- ▶ Premounted steel cutlery tray
- ▶ Suitable for cabinet widths starting from 450 mm
- ▶ Two trays can be used for cabinet widths starting from 900 mm
- ▶ Anti slip mat must be ordered separately

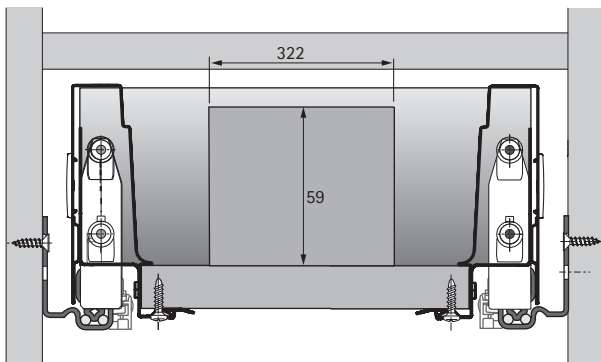
OrgaTray 610

Order no.	PU
9 194 882	1 set

Partitioning

NL	D	
470	462	
W		313
CW		450-1200

Dimensional drawing



InnoTech Atira double walled drawer system

- ▶ Internal organisation system for pot-and-pan drawers and internal pot-and-pan drawers
- ▶ Powder coated steel, white



- ▶ For pot-and-pan drawer or internal pot-and-pan drawer with railing
- ▶ Crosswise railings and lengthwise dividers must be ordered separately
- ▶ It is recommended to fit an anti-slip mat

OrgaStore 410 cut to size



- ▶ Suitable for customised carcass widths
- ▶ Crosswise railing, adapter and lengthwise divider must be ordered separately
- ▶ B = LB - 65.5
- ▶ Adapter, plastic, white

Article	Length mm	Order no.	PU
Crosswise railing	2000	9 194 615	1/30 ea.
Adapter		9 194 619	1/20 ea.

OrgaStore 410 lengthwise divider



- ▶ Plastic, white

Order no.	PU
9 194 620	1/10 ea.

InnoTech Atira double walled drawer system

- ▶ Internal organisation system for pot-and-pan drawers and internal pot-and-pan drawers
- ▶ Powder coated steel, white



- ▶ Suitable for standard cabinet width
- ▶ Aluminium profile can be trimmed to suit variable widths
- ▶ Available for cabinet width starting from 300 mm
- ▶ Plastic elements, white

OrgaStore 820 divider



- ▶ Height 125 mm
- ▶ Also available for adding to set
- ▶ Plastic, white

Order no.	PU
9 182 230	1/15 ea.

Adapter



- ▶ Height 125 mm
- ▶ Plugs onto aluminium profile without the need for tools
- ▶ 2 adapters are required for a set
- ▶ Plastic, white

Order no.	PU
9 182 233	1/30 ea.

OrgaStore 820 aluminium profile



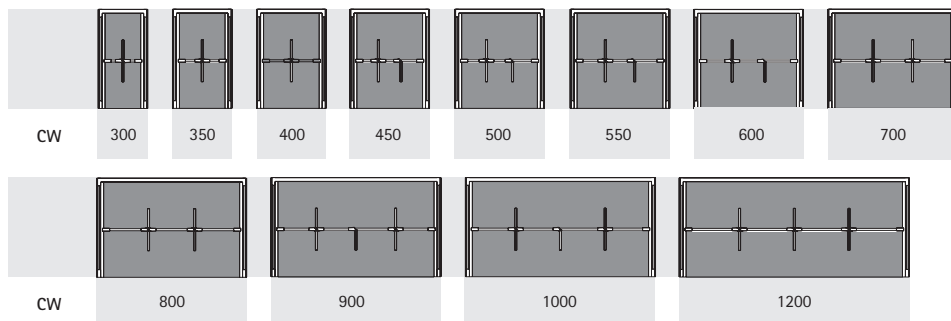
- ▶ Height 120 mm
- ▶ Length 2000 mm
- ▶ Cut to size
- ▶ Adapters must be ordered separately

Order no.	PU
9 182 249	1 ea.

InnoTech Atira double walled drawer system

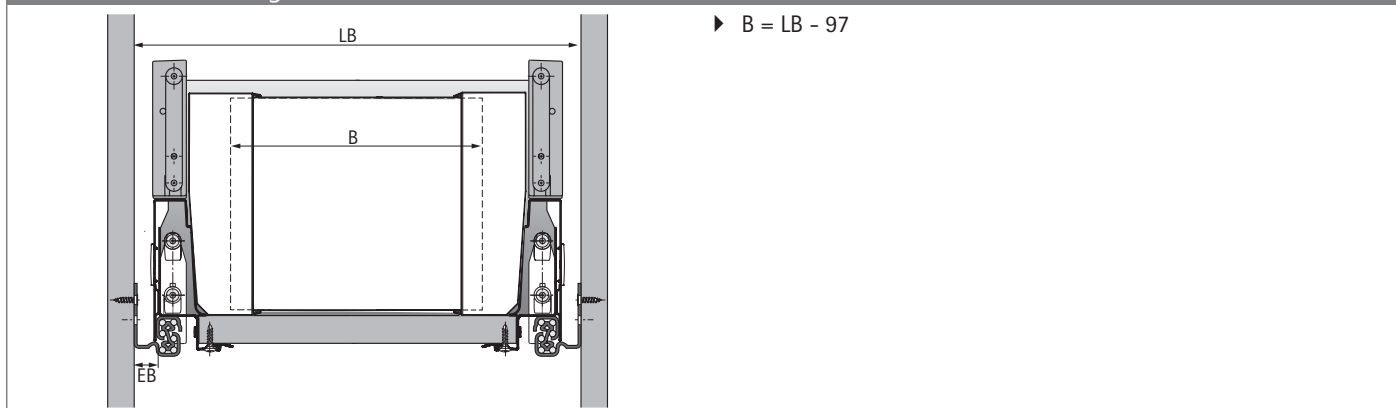
- ▶ Internal organisation system for pot-and-pan drawers and internal pot-and-pan drawers
- ▶ Powder coated steel, white

Partitioning



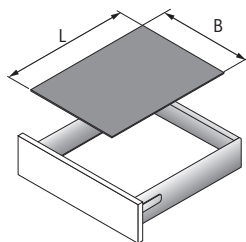
CW = Carcase width

Dimensional drawing



- ▶ Accessories for interior organisation
- ▶ Powder coated steel, white

Anti-slip mat



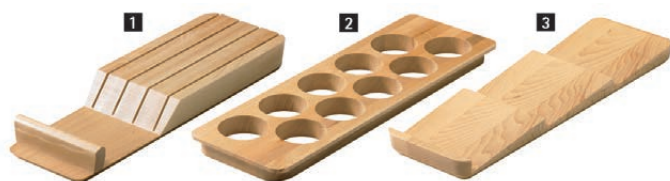
- ▶ For inserting into the drawer or pot-and-pan drawer
- ▶ 5 m roll
- ▶ Plastic, white

Advice:

- ▶ Trimmed width (B) = LB - 84
- ▶ Cut length (L) = nominal length - 7.7

Nominal length mm	Order no.	PU
470	9 209 572	1 ea.
520	9 209 574	1 ea.
650	9 209 575	1 ea.

Knife holder and spice rack



- ▶ For OrgaTray 440
- ▶ Beech, lacquered

Article	Order no.	PU
1 Knife holder	0 074 430	1 ea.
2 Spice rack, standing, ø 53 mm	0 044 934	1 ea.
3 Spice rack, lying flat	9 079 207	1 ea.

InnoTech Atira double walled drawer system

- ▶ Range summary - solutions with bottom cutout
- ▶ Powder coated steel, white



OrgaTray 510
for drawers / pot-and-pan drawers
106



Banio
for drawers / pot-and-pan drawers
107



Metal surround for under sink solutions
for drawers / pot-and-pan drawers
108



Wire surround for under sink solutions
for drawers / pot-and-pan drawers
109

- ▶ Solutions with bottom cutout
- ▶ Powder coated steel, white

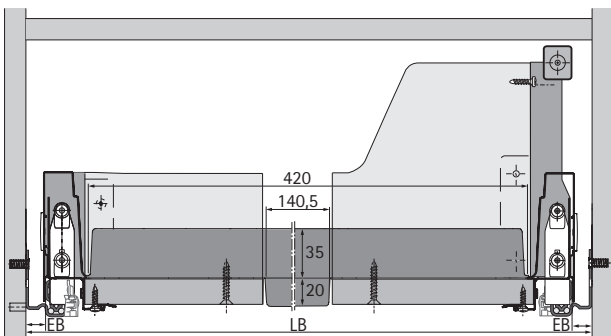


- ▶ Variable in width
- ▶ Can be used for cabinet width starting from 550 mm and nominal length of 350 mm
- ▶ Plastic, white

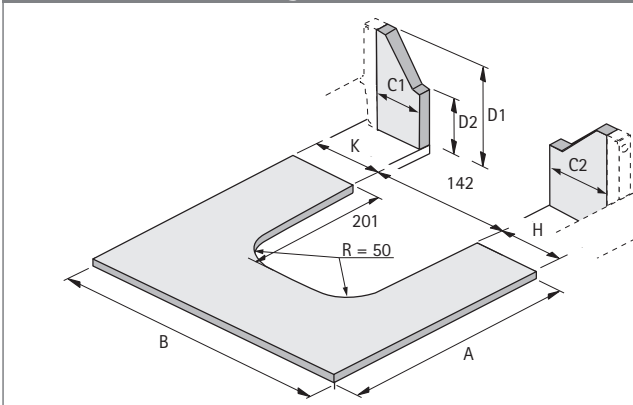
OrgaTray 510

Order no.	PU
9 207 046	1 ea.

Dimensional drawing



Dimensions for cutting to size



- ▶ Dimension A = NL + 10
- ▶ Dimension B = LB - 76.5
- ▶ Dimension C1 = K - 20
- ▶ Dimension C2 = H - 20

InnoTech Atira double walled drawer system

- ▶ Solutions with bottom cutout
- ▶ Powder coated steel, white



- ▶ For drawer or pot-and-pan drawer
- ▶ Can be used for nominal lengths up to 470 mm
- ▶ Suitable for cabinet width starting from 600 mm
- ▶ Total frame height 87 mm
- ▶ Frame set and container set must be ordered separately

Banio frame set



- ▶ Plastic, white

Order no.	PU
9 153 385	1 set

Banio container set

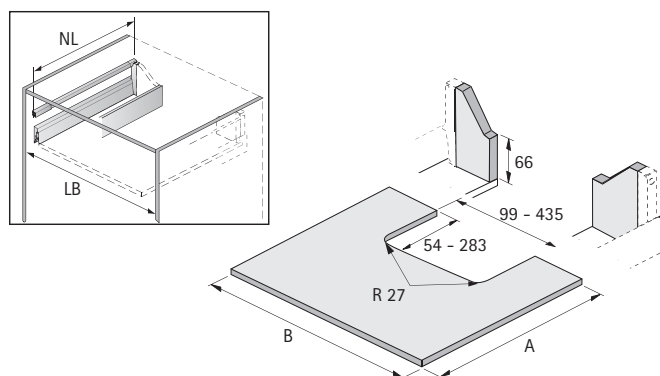


- ▶ The set comprises 3 trays
- ▶ 84 mm x 84 mm / 84 mm x 168 mm / 84 mm x 252 mm
- ▶ Plastic, translucent white

- Set comprises:
- ▶ 3 trays, translucent plastic

Order no.	PU
9 153 388	1 set

Dimensions for cutting to size



- ▶ Dimension A = NL + 10
- ▶ Dimension B = LB - 76.5

InnoTech Atira double walled drawer system



- ▶ Solutions with bottom cutout
- ▶ Powder coated steel, white

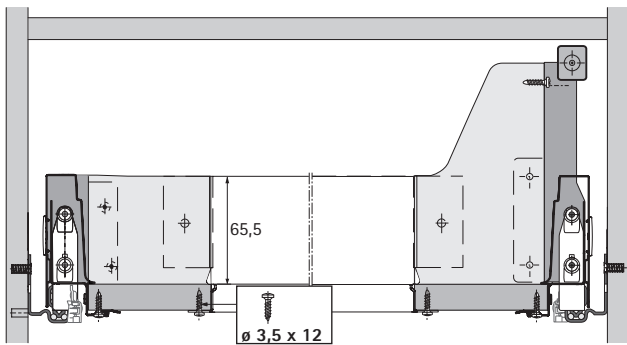


- ▶ For utilising the space below the sink
- ▶ For drawers and pot-and-pan drawers

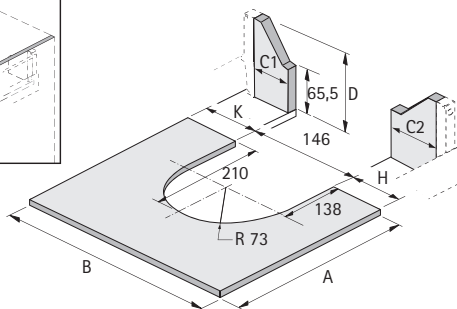
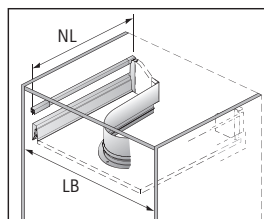
Metal surround

Order no.	PU
9 204 283	1 ea.

Dimensional drawing



Dimensions for cutting to size



- ▶ Dimension A = NL + 10
- ▶ Dimension B = LB - 76.5
- ▶ Dimension C1 = K - 20
- ▶ Dimension C2 = H - 20

InnoTech Atira double walled drawer system

- ▶ Solutions with bottom cutout
- ▶ Powder coated steel, white

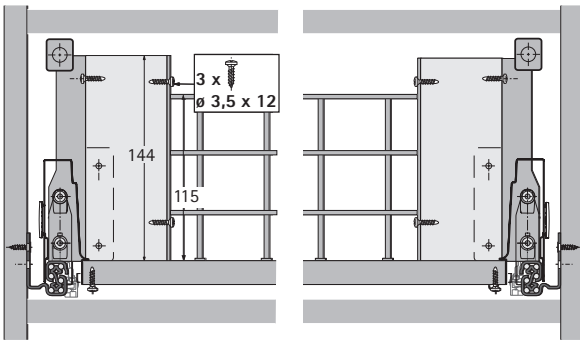


- ▶ For utilising the space below the sink
- ▶ For pot-and-pan drawers starting from nominal width of 350 mm
- ▶ Chrome look

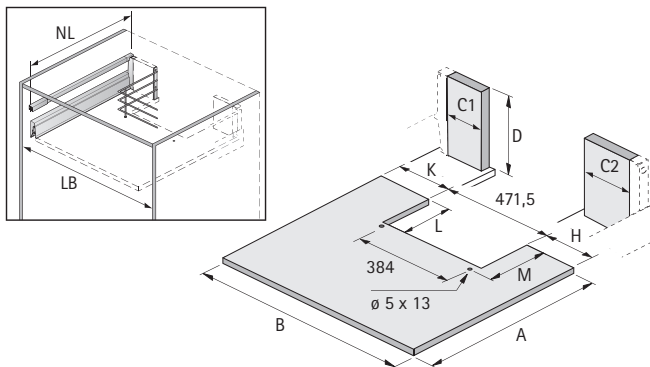
Wire surround

Order no.	PU
9 134 965	1 ea.

Dimensional drawing



Dimensions for cutting to size



- ▶ Dimension A = NL + 10 (wooden rear panel) / NL - 3 (aluminium rear panel)
- ▶ Dimension B = LB - 76,5
- ▶ Dimension C1 = K - 20
- ▶ Dimension C2 = H - 20
- ▶ Dimension D = 144 (wooden rear panel)
- ▶ Dimension L = 280 (wooden rear panel) / 267 (aluminium rear panel)
- ▶ Dimension M = 290 (wooden rear panel) / 277 (aluminium rear panel)

- ▶ Range summary
- ▶ Quadro drawer runners



Quadro V6 with Silent System
Full extension runner, 30 kg

- ▶ Bulk packaging

112



Quadro V6 with Push to open
Full extension runner, 30 kg

- ▶ Bulk packaging

113



Quadro V6+ with Silent System
Full extension runner, 50 kg

- ▶ Bulk packaging

114



Quadro V6+ with Push to open
Full extension runner, 50 kg

- ▶ Set packaging

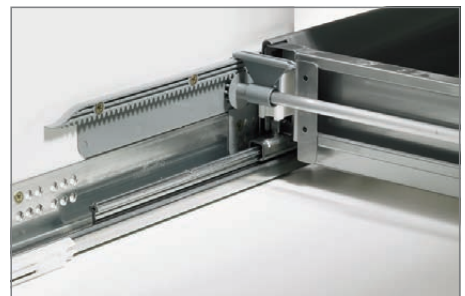
115



Quadro V6 and V6+ with Push to open Silent
Full extension runner, 30 / 50 kg

- ▶ Set packaging

116



Side stabiliser

118



- ▶ Front bracket
- ▶ Spacer profile

119

- ▶ Quadro V6 drawer runner with Silent System, bulk packaging
- ▶ Full extension runner, load capacity 30 kg

Drawer runner

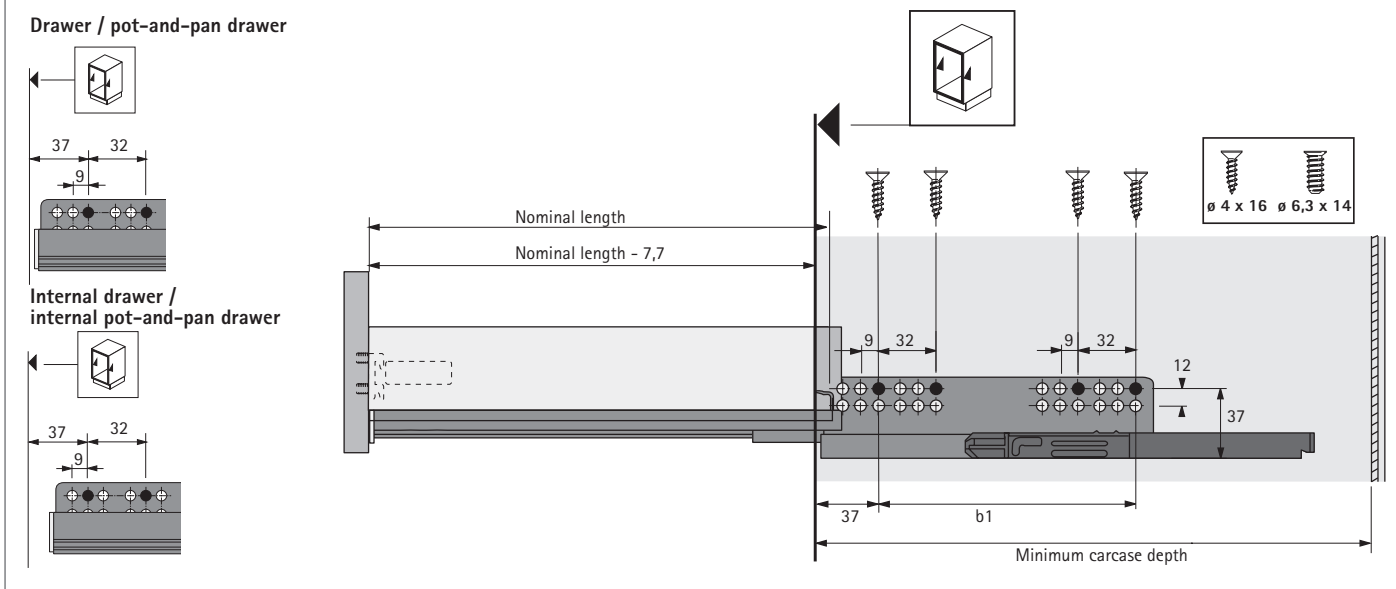


- ▶ With integrated Silent System soft-closing system
- ▶ Loading capacity to EN 15338 Level 3
- ▶ Slide-on assembly
- ▶ Galvanised steel

Installation width 12.5 mm

Nominal length mm	Order no.		PU
	left	right	
260	9 118 019	9 118 020	20 ea.
300	9 117 988	9 117 991	20 ea.
350	9 118 013	9 118 014	20 ea.
420	9 101 300	9 101 301	20 ea.
470	9 118 054	9 118 055	20 ea.
520	9 118 016	9 118 018	20 ea.

Lengthwise cross-section



Installation dimensions

Nominal length mm	Hole spacing b1 mm	Drawer / pot-and-pan drawer Minimum carcass depth mm	Internal drawer / internal pot-and-pan drawer Minimum carcass depth mm
260	160	279	288
300	160	315	324
350	160	365	374
420	224	435	444
470	256	485	494
520	256	535	544

- ▶ Quadro V6 drawer runner with Push to open, bulk packaging
- ▶ Full extension runner, load capacity 30 kg

Drawer runner

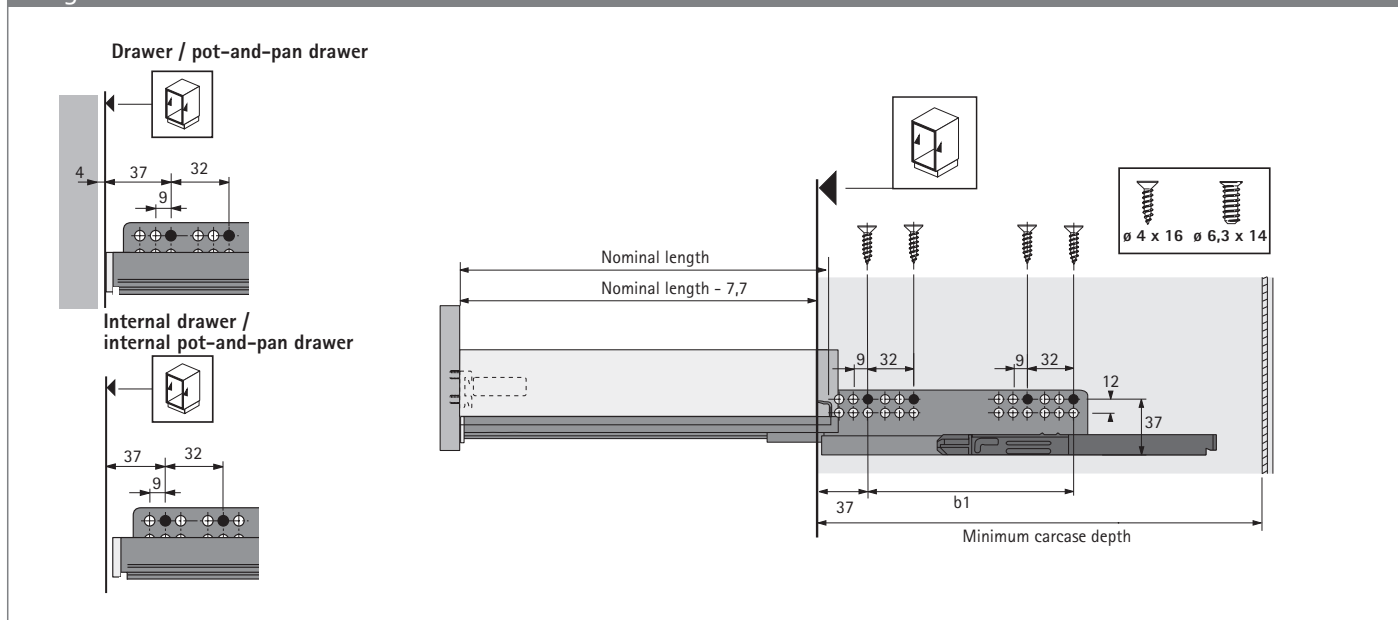


- ▶ With integrated Push to open drawer-opening system
- ▶ Loading capacity to EN 15338 Level 3
- ▶ Slide-on assembly
- ▶ Galvanised steel

Installation width 12.5 mm

Nominal length mm	Order no.		PU
	left	right	
260	9 116 754	9 116 775	20 ea.
300	9 117 490	9 117 501	20 ea.
350	9 117 473	9 117 474	20 ea.
420	9 116 789	9 116 790	20 ea.
470	9 115 820	9 115 821	20 ea.
520	9 117 871	9 117 872	20 ea.

Lengthwise cross-section



Installation dimensions

Nominal length mm	Hole spacing b1 mm	Drawer / pot-and-pan drawer Minimum carcass depth mm	Internal drawer / internal pot-and-pan drawer Minimum carcass depth mm
260	160	305	314
300	160	315	324
350	160	365	374
420	224	435	444
470	256	485	494
520	256	535	544

- ▶ Quadro V6+ drawer runner with Silent System, bulk packaging
- ▶ Full extension runner, load capacity 50 kg

Drawer runner



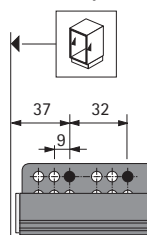
- ▶ With integrated Silent System soft-closing system
- ▶ Loading capacity to EN 15338 Level 3
- ▶ Slide-on assembly
- ▶ Galvanised steel

Installation width 12.5 mm

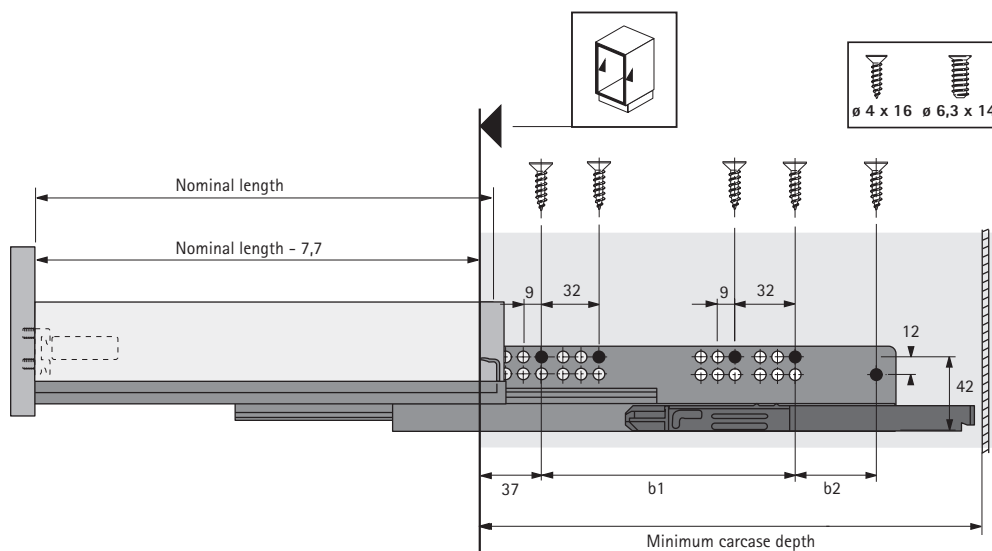
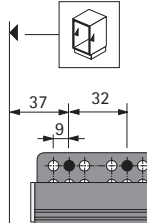
Nominal length mm	Order no.		PU
	left	right	
420	9 126 345	9 126 346	16 ea.
470	9 117 993	9 117 994	16 ea.
520	9 117 995	9 117 997	16 ea.
620	9 126 347	9 126 348	16 ea.

Lengthwise cross-section

Drawer / pot-and-pan drawer



Internal drawer / internal pot-and-pan drawer



Installation dimensions

Nominal length mm	Hole spacing		Drawer / pot-and-pan drawer Minimum carcass depth mm	Internal drawer / internal pot-and-pan drawer Minimum carcass depth mm
	b1 mm	b2 mm		
420	224	-	435	444
470	256	-	485	494
520	256	-	535	544
620	352	64	635	644

- ▶ Quadro V6+ drawer runner with Push to open, set packaging
- ▶ Full extension runner, load capacity 50 kg

Drawer runner

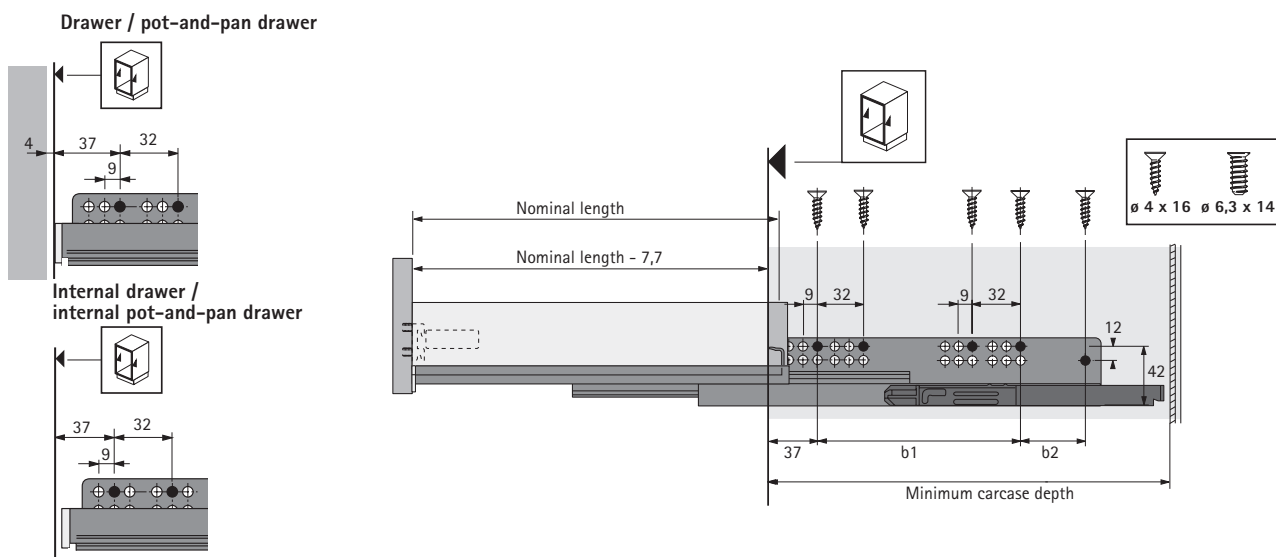


- ▶ With integrated Push to open drawer-opening system
- ▶ Loading capacity to EN 15338 Level 3
- ▶ Slide-on assembly
- ▶ Galvanised steel

Installation width 12.5 mm

Nominal length mm	Order no.	PU
350	9 143 502	1 pair
420	9 143 503	1 pair
470	9 143 504	1 pair
520	9 143 505	1 pair
620	9 143 506	1 pair

Lengthwise cross-section



Installation dimensions

Nominal length mm	Hole spacing		Drawer / pot-and-pan drawer Minimum carcass depth mm	Internal drawer / internal pot-and-pan drawer Minimum carcass depth mm
	b1 mm	b2 mm		
350	192	-	365	374
420	224	-	435	444
470	256	-	485	494
520	256	-	535	544
620	352	64	635	644

InnoTech Atira double walled drawer system

- ▶ Quadro drawer runner with Push to open Silent
- ▶ Full extension runner

Drawer runner



- ▶ Can only be used with Push to open Silent
- ▶ Full extension runner
- ▶ With integrated Silent System
- ▶ Galvanised steel
- ▶ Load capacity to EN 15338, Level 3

Carcase side thickness 16 mm (installed width EB 12.5)

Nominal length mm	Order no. / Load capacity kg			PU
	10 (V6)	30 (V6)	50 (V6+)	
260	9 243 709			1 set
300	9 243 712		9 243 772	1 set
350	9 243 715	9 243 724	9 243 775	1 set
420		9 243 727	9 243 778	1 set
470		9 243 730	9 243 781	1 set
520		9 243 733	9 243 784	1 set
620			9 243 787	1 set

Weight ranges for Push to open Silent:

< 10 kg

8 - 20 kg

10 - 30 kg

20 - 50 kg

InnoTech Atira double walled drawer system

- ▶ Quadro drawer runner with Push to open Silent, set packaging
- ▶ Full extension runner

Push to open Silent opening system for InnoTech



Set comprises:

- ▶ 1 Push to open Silent unit, left and right
- ▶ 1 activator, left and right
- ▶ 2 adapters for mounting optional synchronisation

Total weight kg	Quadro kg	Nominal length mm	Order no.	PU
< 10	10 (V6)	260 - 350	9 240 161	1 set
8 - 20	30 (V6)	260 - 520	9 240 162	1 set
10 - 30	30 (V6)	260 - 520	9 240 163	1 set
20 - 50	50 (V6+)	300 - 620	9 240 164	1 set

Recommendation for drawer (front panel height up to approx. 150 mm)*

Nominal length mm	Nominal width mm											
	275	300	350	400	500	600	700	800	900	1000	1100	1200
260												
300												
350												
420												
470												
520												
620												

Recommendation for pot-and-pan drawer (front panel height up to approx. 300 mm, light to medium duty loading)*

Nominal length mm	Nominal width mm											
	275	300	350	400	500	600	700	800	900	1000	1100	1200
260												
300												
350												
420												
470												
520												
620												

Recommendation for pot-and-pan drawer, heavy duty (front panel height up to approx. 300 mm, heavy duty loading, e.g. with stacks of plates)*

Nominal length mm	Nominal width mm											
	275	300	350	400	500	600	700	800	900	1000	1100	1200
260												
300												
350												
420												
470												
520												
620												

Weight ranges for Push to open Silent:

< 10 kg

8 - 20 kg

10 - 30 kg

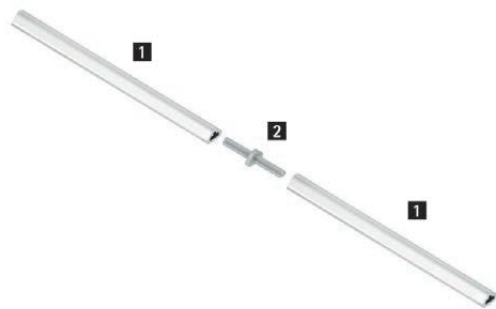
20 - 50 kg

* Recommendations for applications (front panel 19 mm chipboard, normal household loading), please refer to our online configurator to get more exact recommendations for customer chosen front panel dimensions and materials.

InnoTech Atira double walled drawer system

- ▶ Quadro drawer runner with Silent System, set packaging
- ▶ Push to open Silent

Optional: synchronisation



- ▶ Recommended for carcass widths of 600 mm and over
- ▶ Synchronisation bar for cutting to length
- ▶ Length 2000 mm
- ▶ Aluminium, anodized
- ▶ Connector for minimising offcut waste
- ▶ plastic, grey

Article	Order no.	PU
1 Synchronisation bar	9 236 718	1/100 each
2 Connector	9 221 295	1/20 each

InnoTech Aтира double walled drawer system

- ▶ Accessories
- ▶ Side stabiliser

Side stabiliser



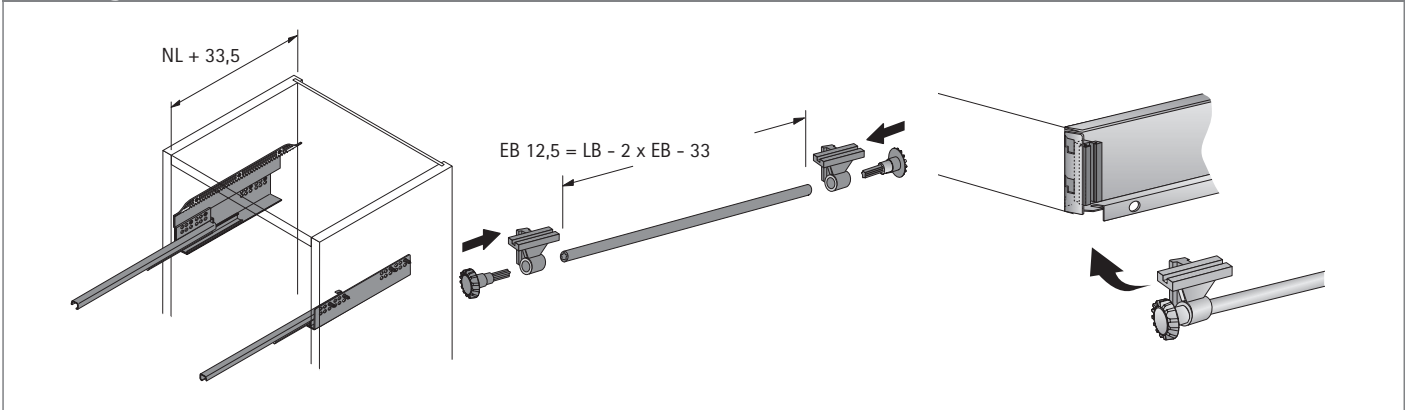
- ▶ Use recommended on carcasses in a width of 800 mm and over
- ▶ For nominal lengths of 260 - 620 mm
- ▶ Cannot be used with Quadro drawer runner with Push to open

Set comprises:

- ▶ 2 gear racks, plastic
- ▶ 1 shaft for cutting to length, for max. carcass width of 1200 mm, aluminium
- ▶ 2 cogwheels, plastic
- ▶ 2 retainers, plastic
- ▶ 2 bearings for shaft, plastic

Order no.	PU
9 079 333	1 set

Planning dimensions / installation



EB drilling jig for InnoTech Aтира side stabiliser



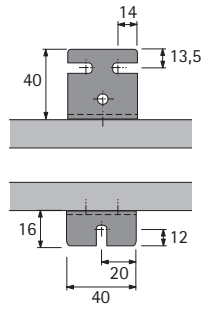
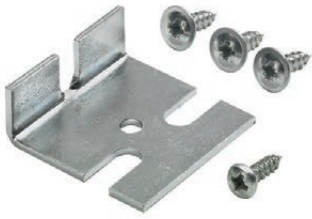
- ▶ Drilling jig for drilling positions for attaching InnoTech side stabiliser (order no. 9 079 333)
- ▶ Plastic, white

Installed width mm	Order no.	PU
12.5	9 080 311	1 ea.

InnoTech Atira double walled drawer system

- ▶ Accessories
- ▶ Front bracket, spacer profile

Front bracket



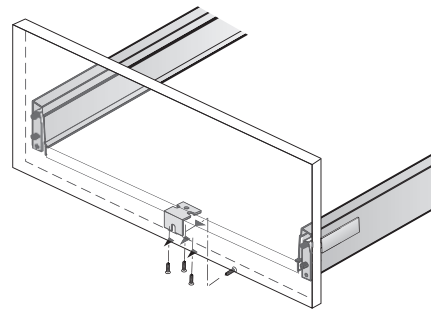
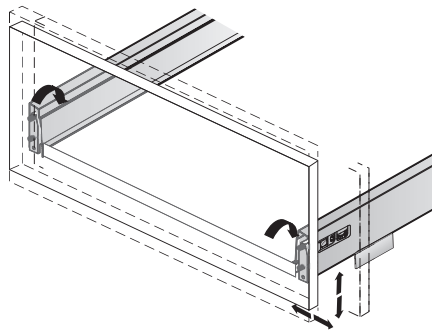
- ▶ For stabilising wide and/or high front panels
- ▶ Recommended for use on carcasses in widths of 600 mm and over and/or front panel heights of 450 mm and over
- ▶ For assembly under the drawer / pot-and-pan drawer after adjustment of the front panel

Set comprises:

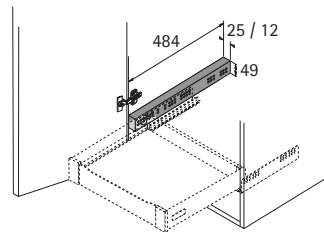
- ▶ 1 front bracket, steel chromated
- ▶ 3 special screws, $\varnothing 5 \times 14$ mm
- ▶ 1 panhead screw, $\varnothing 4 \times 12$ mm

Order no.	PU
9 079 232	1 set

Installation



Spacer profile



- ▶ For bridging the hinge protrusion when using internal drawers
- ▶ To span greater spaces, several profiles can be clipped on top of one another
- ▶ The spacer profiles can also be used for tolerance compensation
- ▶ Plastic, white

Width x depth x height mm	Order no.	PU
25 x 484 x 49	0 013 952	1 ea.

InnoTech Atira double walled drawer system

- ▶ Waste collecting systems
- ▶ Summary



InnoTech Pull

122 - 125



InsertFlex

126 - 127



Bin.it Vario

128



Bin.it Flex

129



**Replacement bin / lid
Summary**

130 - 131



Laundry basket pull-out InnoTech Pull Laundry

132

- ▶ Waste collecting systems
- ▶ Range summary / technical comparison

	InnoTech Pull	InsertFlex	Bin.it Vario
Page	122 - 125	126 - 127	128
Description	<ul style="list-style-type: none"> ▶ Top running for <ul style="list-style-type: none"> - InnoTech Atira drawers - Quadro full extension runner ▶ Silent System 	<ul style="list-style-type: none"> ▶ Bottom running for pot-and-pan drawers, e.g. ArciTech or InnoTech Atira ▶ Bin system can be installed later as long as enough space is available inside the cabinet 	<ul style="list-style-type: none"> ▶ Bottom running for pot-and-pan drawers, e.g. ArciTech or InnoTech Atira ▶ Bin system can be installed later as long as enough space is available inside the cabinet
For cabinet width mm	<ul style="list-style-type: none"> ▶ 300, 400, 450, 500 or 600 mm 	<ul style="list-style-type: none"> ▶ 450, 600 or 900 mm 	<ul style="list-style-type: none"> ▶ 300 mm ▶ 450 - 600 mm ▶ 600 - 1200 mm
Capacity l	Various bin combinations can be used ensuring the flexibility of this system	<ul style="list-style-type: none"> ▶ + 2 x ▶ 2 x + 2 x 	<ul style="list-style-type: none"> ▶ + ▶ + 2 x ▶ + + + ▶
Optional opening systems	<ul style="list-style-type: none"> ▶ Easys electromechanical opening system ▶ Push to open ▶ Foot pedal 	<ul style="list-style-type: none"> ▶ Easys electromechanical opening system ▶ Push to open 	<ul style="list-style-type: none"> ▶ Easys electromechanical opening system ▶ Push to open

InnoTech Atira double walled drawer system

- ▶ Waste collecting systems
- ▶ Range summary / technical comparison




Bin.it Flex



129

- ▶ Bottom running for pot-and-pan drawers, e.g. ArciTech or InnoTech Atira
- ▶ Bin system can be installed later as long as enough space is available inside the cabinet

- ▶ 600 mm
- ▶ 900 mm

- ▶ 2 x 
- ▶ 2 x  + 2 x 

- ▶ Easys electromechanical opening system
- ▶ Push to open

InnoTech Atira double walled drawer system



- ▶ Waste collecting systems behind front panels
- ▶ InnoTech Pull



- ▶ Top running waste collector for InnoTech Atira drawer, height 70 mm
- ▶ The InnoTech Pull frame is fitted instead of the drawer base
- ▶ Frame can be equipped as required with various bins and accessories
- ▶ Please order bin separately
- ▶ InnoTech Atira drawer components must be ordered separately
- ▶ Bin system can be used with Quadro V6 full extension Silent System and Push to open
- ▶ Powder coated steel, silver

Set comprises:

- ▶ 1 fitted frame including front stay and lid
- ▶ Fixing material

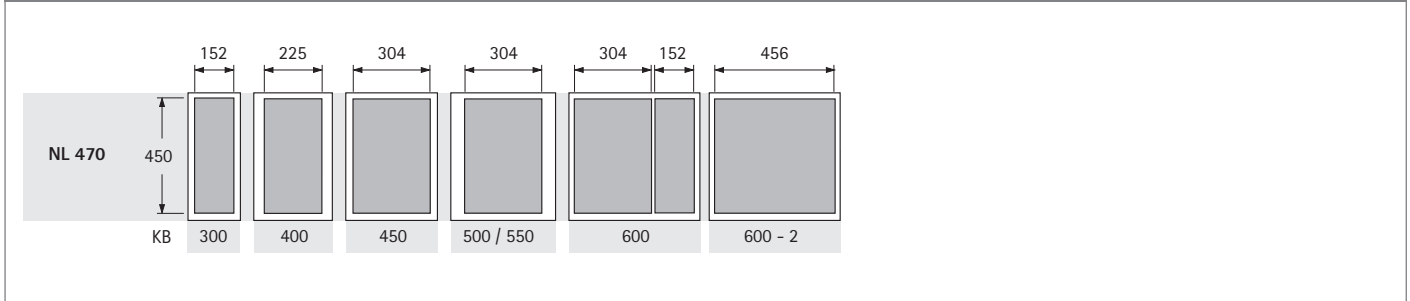
Page reference:

- ▶ For bins, see page 127
- ▶ For InnoTech Atira drawer components, see pages 14 - 16
- ▶ For further accessories, see page 129

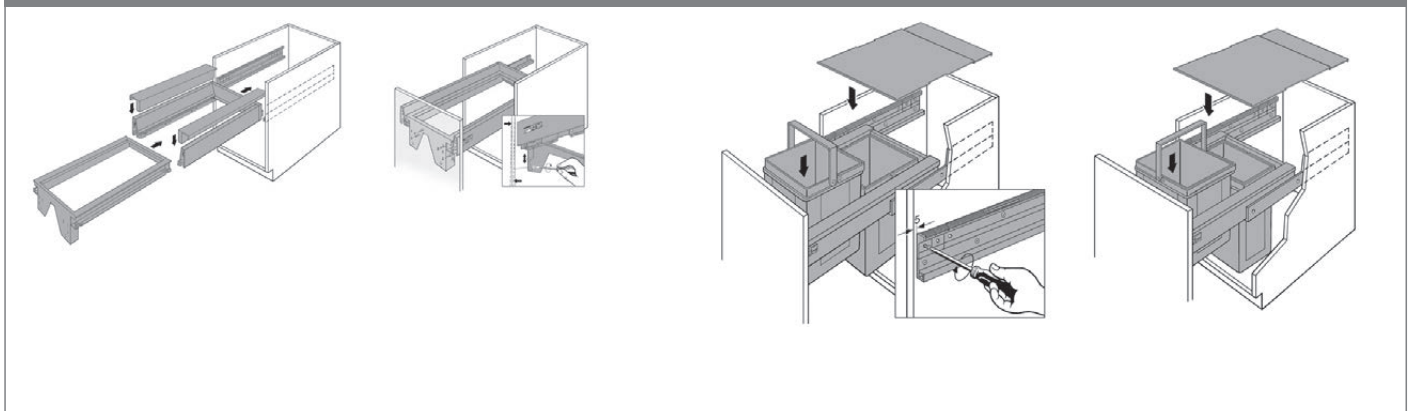
InnoTech Pull frame

For carcase width mm	Type	Order no. / nominal length mm	PU
		470	
300		9 132 354	1 set
400		9 132 355	1 set
450		9 132 356	1 set
500		9 132 357	1 set
600		9 132 359	1 set
600	600 - 2 (for 2 x 42 l)	9 134 771	1 set

Partitioning

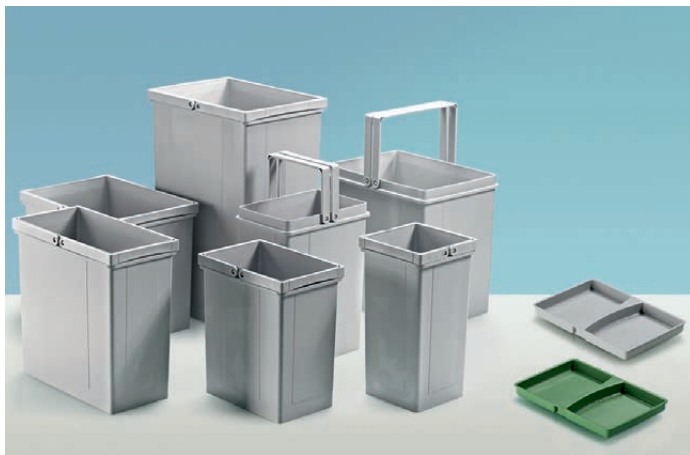


Installation



InnoTech Atira double walled drawer system

- ▶ Waste collecting systems behind front panels
- ▶ InnoTech Pull



- ▶ For fitting any chosen component in the InnoTech Pull frame
- ▶ Plastic bin with sturdy double handle
- ▶ As standard, all bins are supplied without lid
- ▶ Lids must be ordered separately, see below
- ▶ The lid heights specified below are total dimensions, the overlay height for all lids is 2 mm

Page reference:

- ▶ For InnoTech Pull frame, see page 126

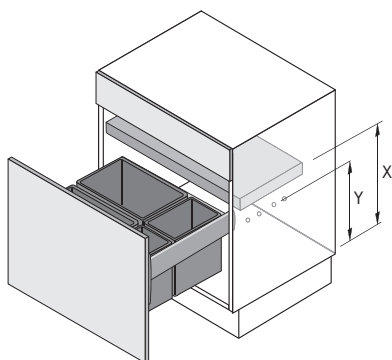
Bin

Article	Material / finish	Width mm	Depth mm	Height mm	Order no.	PU
Bin 8 l	Plastic, grey	152	225	295	9 132 377	1 ea.
Bin 17 l	Plastic, grey	225	304	295	9 132 380	1 ea.
Bin 29 l	Plastic, grey	225	304	460	9 132 381	1 ea.
Bin 42 l	Plastic, grey	225	456	495	9 134 859	1 ea.

Lid

Article	Material / finish	Width mm	Depth mm	Height mm	Order no.	PU
Lid 7 / 8 l	Plastic, grey	152	225	21	9 132 384	1 ea.
Lid 7 / 8 l	Plastic, green	152	225	21	9 132 382	1 ea.
Lid 15 / 17 / 29 l	Plastic, grey	225	304	21	9 132 386	1 ea.
Lid 42 l	Plastic, grey	225	456	21	9 134 860	1 ea.

Planning dimensions



Bin height mm	X mm	Y mm
295	345	257
460	510	422
495	545	457

InnoTech Atira double walled drawer system



- ▶ Waste collecting systems behind front panels
- ▶ InnoTech Pull, all-inclusive sets



- ▶ Top running waste collector for InnoTech Atira drawer, height 70 mm
- ▶ The InnoTech Pull frame is fitted instead of the drawer base
- ▶ Frame can be equipped as required with various bins and accessories
- ▶ Please order bin separately
- ▶ InnoTech Atira drawer components must be ordered separately
- ▶ Bin system can be used with Quadro V6 full extension Silent System and Push to open
- ▶ Powder coated steel, silver

Set comprises:

- ▶ 1 fitted frame including front stay and lid
- ▶ Bins
- ▶ Fixing material

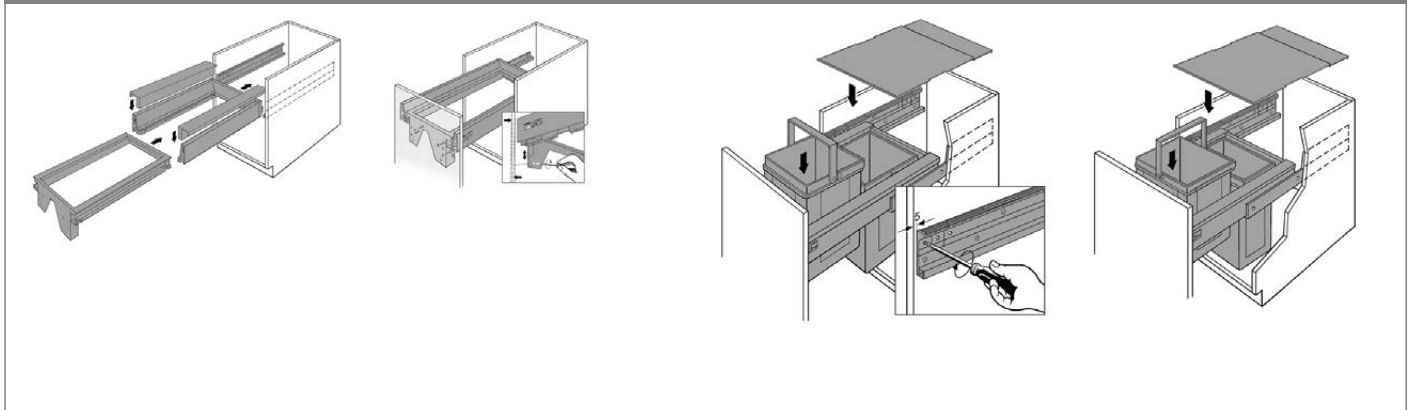
Page reference:

- ▶ For InnoTech Atira drawer components, see pages 14 - 16
- ▶ For further accessories, see page 129

InnoTech Pull, all-inclusive sets

For carcase width mm	Capacity bins	Order no.	PU
300	8 l + 8 l	9 154 000	1 set
400	29 l + 8 l	9 154 001	1 set
450	17 l + 17 l	9 154 002	1 set
450	29 l + 29 l	9 154 003	1 set
500	17 l + 17 l	9 154 004	1 set
500	29 l + 29 l	9 154 005	1 set
500	29 l + 15 l	9 154 006	1 set
600	29 l + 29 l + 8 l + 8 l	9 154 007	1 set
600	17 l + 17 l + 8 l + 8 l	9 154 018	1 set
600	29 l + 17 l + 8 l + 8 l	9 154 019	1 set
600	42 l + 42 l	9 154 020	1 set

Installation

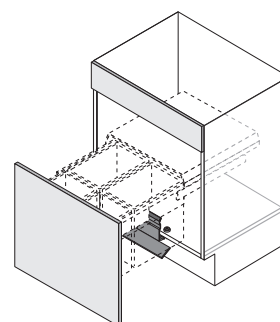
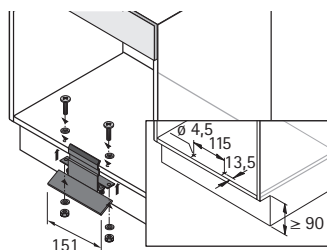
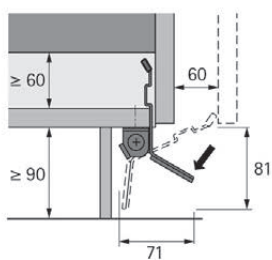


ArciTech Pull and InnoTech Pull foot pedal



- Suitable for ArciTech Pull and InnoTech Pull waste collecting systems
- Elegant design
- Stainless steel

Order no.	PU
9 111 679	1 ea.



InnoTech Atira double walled drawer system

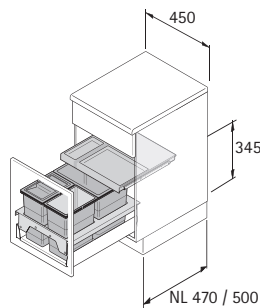


- ▶ Waste collecting systems behind front panels
- ▶ InsertFlex



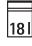
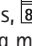
- ▶ Can be used in ArciTech pot-and-pan drawers, height 186 mm or 218 mm, nominal length (NL) 500 mm, or InnoTech Atira, height 144 mm or 176 mm, nominal length (NL) 470 mm
- ▶ Installed height 345 mm from upper edge of drawer base
- ▶ The fitted frame is installed on the railing and fixed in place at front panel and drawer base
- ▶ The lid with partial extension runner provides an additional storage area
- ▶ Fitted frame, pull-out lid, bin and lid, grey plastic

InsertFlex 450



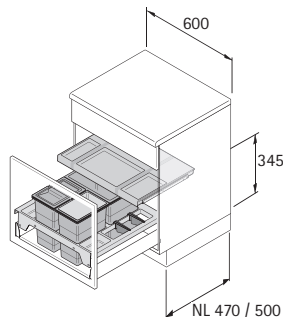
- ▶ For cabinet width 450 mm

Set comprises:

- ▶ 1 fitted frame
- ▶ 1 pull-out lid with runners
- ▶ 1 bin 
- ▶ 2 bins, , one of which with lid
- ▶ Fixing material


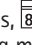
Order no.	PU
9 207 638	1 set

InsertFlex 600



- ▶ For cabinet width 600 mm

Set comprises:

- ▶ 1 fitted frame with 1 storage compartment each on right and left
- ▶ 1 pull-out lid with runners
- ▶ 1 bin 
- ▶ 2 bins, , one of which with lid
- ▶ Fixing material and 4 dividers

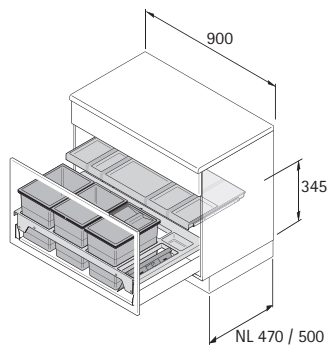
Order no.	PU
9 207 642	1 set

InnoTech Atira double walled drawer system



- ▶ Waste collecting systems behind front panels
- ▶ InsertFlex

InsertFlex 900



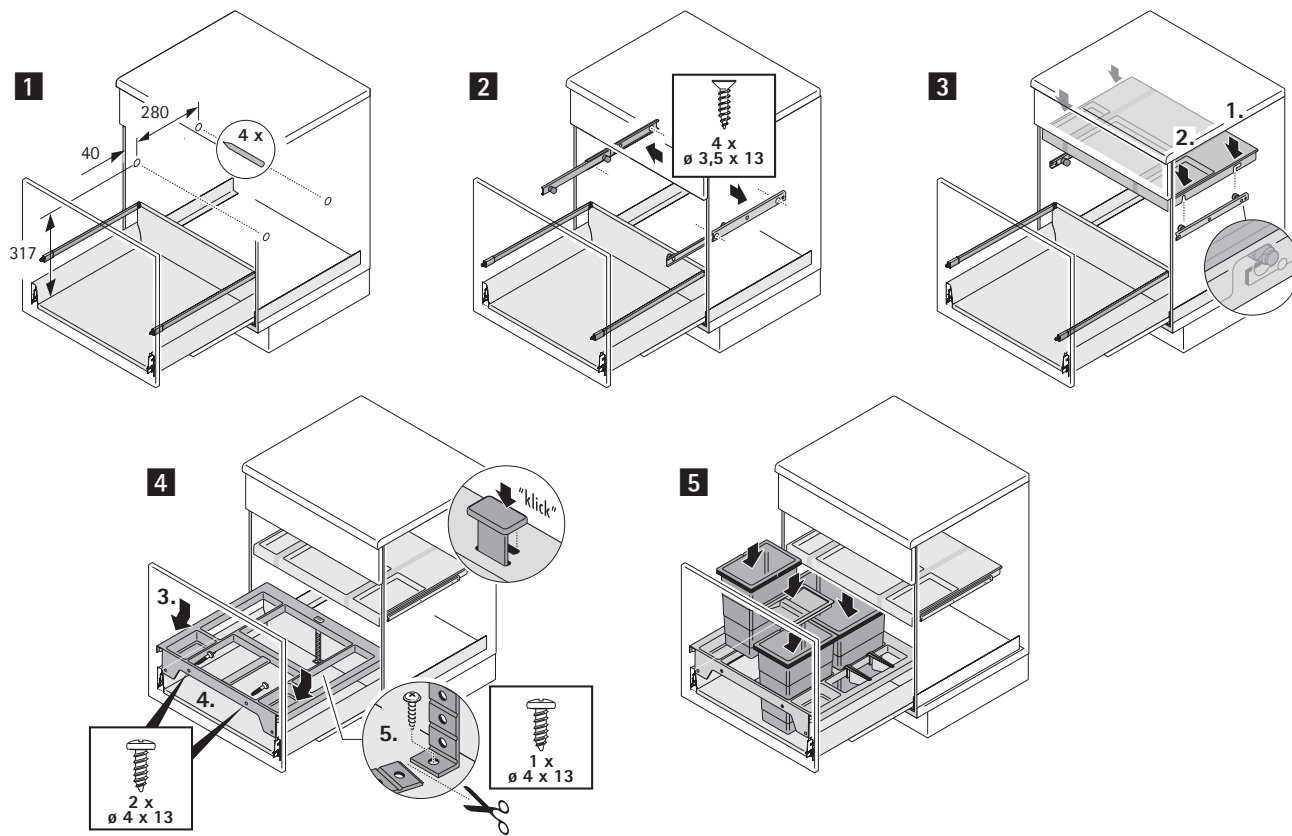
▶ For cabinet width 900 mm

Set comprises:

- ▶ 1 fitted frame with 1 storage compartment at rear
- ▶ 1 pull-out lid with runners
- ▶ 2 bins
- ▶ 2 bins , one of which with lid
- ▶ 1 sweeping set, red plastic
- ▶ Fixing material and 3 dividers

Order no.	PU
9 207 644	1 set

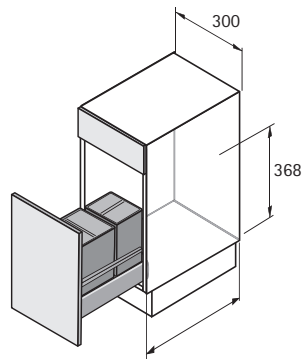
Installation





- ▶ Waste collecting systems behind front panels
- ▶ Bin.it Vario

Bin.it Vario 300



InnoTech Atira =
NL 470 / 520
ArciTech =
NL 500

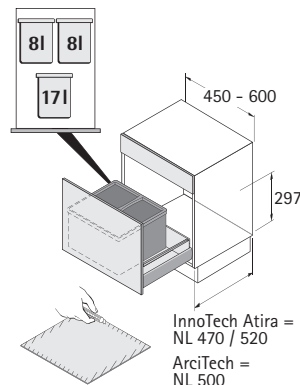
- ▶ For use in pot-and-pan drawer, e.g. InnoTech Atira, nominal length (NL) 470 / 520 mm or for ArciTech, nominal length (NL) 500 mm
- ▶ For cabinet width 300 mm
- ▶ Capacity 30 litres
- ▶ Installed height 368 mm
- ▶ Cut dimensions of insert tray:
max. width 250 mm, max. depth 512 mm
min. width 190 mm, max. width 450 mm
- ▶ Insert mat, bin and lid, grey plastic

Set comprises:

- ▶ 2 bins with lid +
- ▶ 1 insert mat

Order no.	PU
9 207 645	1 set

Bin.it Vario 450 - 600



InnoTech Atira =
NL 470 / 520
ArciTech =
NL 500

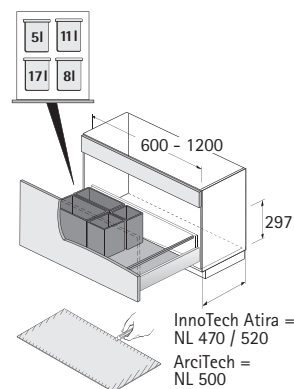
- ▶ For use in pot-and-pan drawer, e.g. InnoTech Atira, nominal length (NL) 470 / 520 mm or for ArciTech, nominal length (NL) 500 mm
- ▶ For cabinet width 450 - 600 mm by cutting the anti-slip insert mat to size
- ▶ Capacity 33 litres
- ▶ Installed height 297 mm
- ▶ Cut dimensions of the insert mat:
max. width 565 mm, max. depth 565 mm
min. width 311 mm, min. depth 456 mm
- ▶ Insert mat, bin and lid, grey plastic

Set comprises:

- ▶ 3 bins with lid + +
- ▶ 1 insert mat

Order no.	PU
9 105 101	1 set

Bin.it Vario 600 - 1200



InnoTech Atira =
NL 470 / 520
ArciTech =
NL 500

- ▶ For use in pot-and-pan drawer, e.g. InnoTech Atira, nominal length (NL) 470 / 520 mm or for ArciTech, nominal length (NL) 500 mm
- ▶ For cabinet width 600 - 1200 mm by cutting the anti-slip insert mat to size
- ▶ Capacity 41 litres
- ▶ Installed height 297 mm
- ▶ Cut dimensions of the insert mat:
max. width 1125 mm, max. depth 565 mm
min. width 468 mm, min. depth 456 mm
- ▶ Insert mat, bin and lid, grey plastic

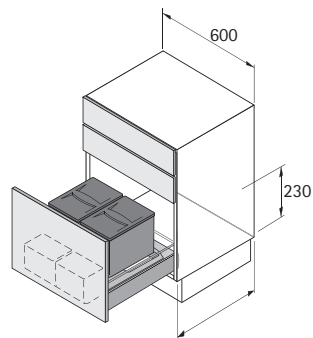
Set comprises:

- ▶ 4 bins with lid + + +
- ▶ 1 insert mat

Order no.	PU
9 079 921	1 set

- ▶ Waste collecting systems behind front panels
- ▶ Bin.it Flex



Bin.it Flex 600



ArciTech = NL 450 / 500
InnoTech Atira = NL 470

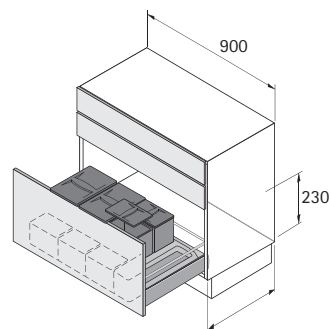
- ▶ For use in pot-and-pan drawer, e.g. ArciTech, nominal length (NL) 450 / 500 mm or for InnoTech Atira, nominal length (NL) 470 mm
- ▶ For cabinet width 600 mm
- ▶ Capacity 24 litres
- ▶ Installed height 230 mm from upper edge of drawer base
- ▶ Insert tray can be cut to size, dimensions for cutting to size: max. width 540 mm, max. depth 490 mm min. width 503 mm, min. depth 422 mm
- ▶ Insert tray, bin and lid, grey plastic
- ▶ Storage trays, translucent plastic

Set comprises:

- ▶ 2 bins with lid  + 
- ▶ 2 storage trays
- ▶ 1 insert tray

Order no.	PU
9 132 349	1 set





Bin.it Flex 900



ArciTech = NL 450 / 500
InnoTech Atira = NL 470

- ▶ For use in pot-and-pan drawer, e.g. ArciTech, nominal length (NL) 450 / 500 mm or for InnoTech Atira, nominal length (NL) 470 mm
- ▶ For cabinet width 900 mm
- ▶ Capacity 35 litres
- ▶ Installed height 230 mm from upper edge of drawer base
- ▶ Insert tray can be cut to size, dimensions for cutting to size: max. width 840 mm, max. depth 490 mm min. width 803 mm, min. depth 422 mm
- ▶ Insert tray, bin and lid, grey plastic
- ▶ Storage trays, translucent plastic

Set comprises:

- ▶ 4 bins with lid  +  +  + 
- ▶ 3 storage trays
- ▶ 1 insert tray

Order no.	PU
9 132 350	1 set

InnoTech Atira double walled drawer system

► Replacement bin / lid

► Summary

ArciTech Pull / InnoTech Pull

Catalogue page	For waste system	For order number	Replacement bin / lid	W x D x H mm	Order no.	PU
122, 124	ArciTech / InnoTech Pull	various	8 l, grey plastic	152 x 225 x 295	9 132 377	1 ea.
122, 124	ArciTech / InnoTech Pull	9 132 377	Lid 7 / 8 l, grey plastic	152 x 225 x 21	9 132 384	1 ea.
122, 124	ArciTech / InnoTech Pull	9 132 377	Lid 7 / 8 l, grey plastic	152 x 225 x 21	9 132 382	1 ea.
122, 124	ArciTech / InnoTech Pull	various	17 l, green plastic	225 x 304 x 295	9 132 380	1 ea.
122, 124	ArciTech / InnoTech Pull	various	29 l, grey plastic	225 x 304 x 460	9 132 381	1 ea.
122, 124	ArciTech / InnoTech Pull	9 132 380, 9 132 381	Lid 15 / 17 / 29 l, grey plastic	225 x 304 x 21	9 132 386	1 ea.
122, 124	ArciTech / InnoTech Pull	9 134 772, 9 134 771	42 l, grey plastic	225 x 456 x 495	9 134 859	1 ea.
122, 124	ArciTech / InnoTech Pull	9 134 859	Lid 42 l, grey plastic	225 x 456 x 21	9 134 860	1 ea.

Note: All replacement bins are supplied without lid.

InsertFlex

Catalogue page	For waste system	For order number	Replacement bin / lid	W x D x H mm	Order no.	PU
126 - 127	InsertFlex	9 207 638, 9 207 642, 9 207 644	8 l, grey plastic	226 x 156 x 295	9 207 651	1 ea.
126 - 127	InsertFlex	9 207 638, 9 207 642, 9 207 644	18 l, grey plastic	320 x 226 x 295	9 207 652	1 ea.
126 - 127	InsertFlex	9 207 638, 9 207 642, 9 207 644	Lid 8 l, grey plastic	226 x 156 x 15	9 207 653	1 ea.

Note: All replacement bins are supplied without lid.

InnoTech Atira double walled drawer system

- ▶ Replacement bin / lid
- ▶ Summary

Bin.it Vario

Catalogue page	For waste system	For order number	Replacement bin / lid	W x D x H mm	Order no.	PU
128	Bin.it Vario	9 105 101, 9 079 921, 9 207 645	8 l, grey plastic	152 x 225 x 295	9 132 377	1 ea.
128	Bin.it Vario	9 132 377, 9 207 645	Lid 7 / 8 l, grey plastic	152 x 225 x 21	9 132 384	1 ea.
128	Bin.it Vario	9 132 377	Lid 7 / 8 l, green plastic	152 x 225 x 21	9 132 382	1 ea.
128	Bin.it Vario	9 105 101, 9 079 921, 9 207 645	17 l, grey plastic	225 x 304 x 295	9 132 380	1 ea.
128	Bin.it Vario	9 132 380, 9 207 645	Lid 15 / 17 / 29 l, grey plastic	225 x 304 x 21	9 132 386	1 ea.

Note: All replacement bins are supplied without lid.



► Laundry basket pull-out InnoTech Pull Laundry



- Laundry basket pull-out for InnoTech Atira drawers, height 70 mm
- For nominal length (NL) 470 mm
- For carcass width 450 + 600 mm
- The InnoTech Pull Laundry frame is fitted instead of a drawer bottom panel
- Including two removable laundry baskets with handles
- InnoTech Atira drawer components must be ordered separately
- Frame, powder coated, silver
- Laundry baskets, white plastic

InnoTech Pull Laundry

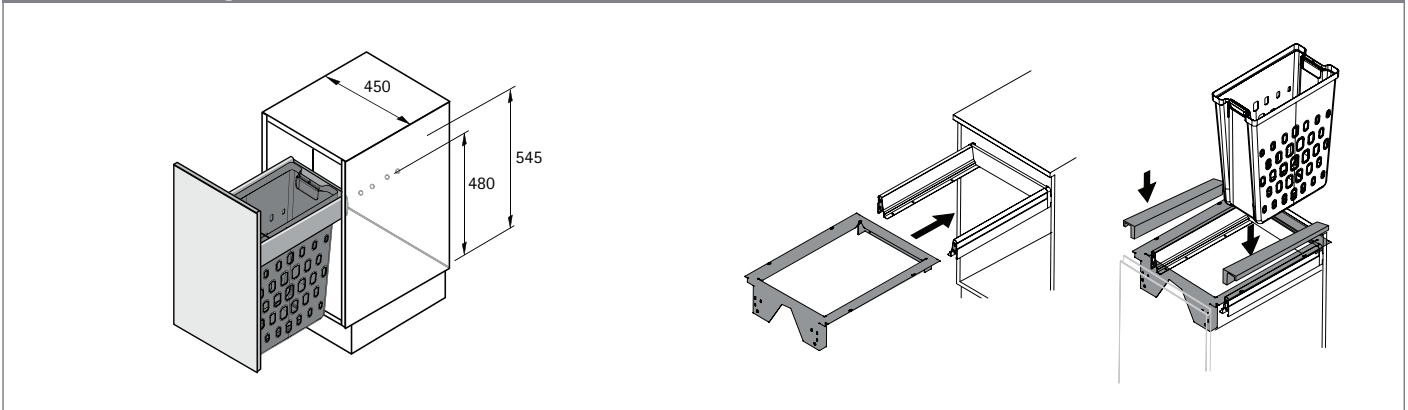


- Set comprises:
- 1 fitted frame including front stay
 - 2 laundry baskets, 40l each
 - Fixing material

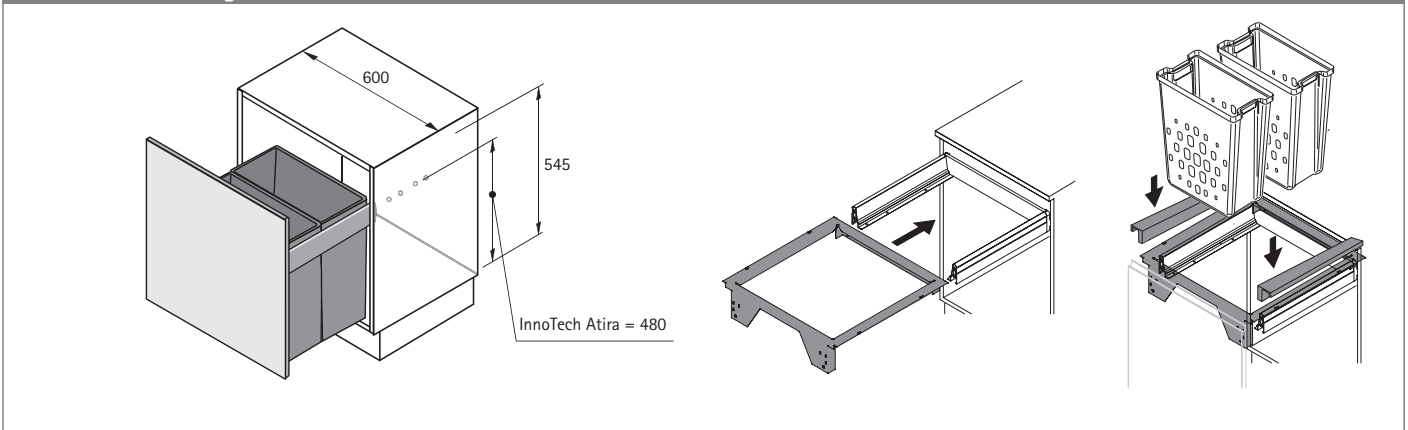
Page reference:
► For InnoTech Atira drawer components, see pages 14 - 16

Order no.	PU
9 207 636	1 set
9 233 565	1 set

450 mm Planning dimensions

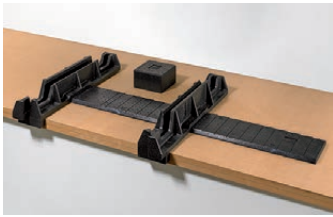


600 mm Planning dimensions



InnoTech Atira double walled drawer system

- ▶ Assembly aids and drilling jigs
- ▶ Summary



Assembly aids for drawers

134 - 135



Drilling jigs and hole marking jigs

136 - 138

- ▶ Assembly aids for drawers
- ▶ InnoFit / InnoFit Atira

InnoFit 300



- ▶ For assembling InnoTech / Innotech Atira drawers and pot-and-pan drawers
- ▶ Manual component positioning, pneumatic pressing
- ▶ All settings can be made without the need for tools
- ▶ Air pressure 6 – 8 bar / 100 psi
- ▶ Capacity: up to 65 drawers an hour
- ▶ Metal frame

Order no.	PU
9 019 743	1 ea.

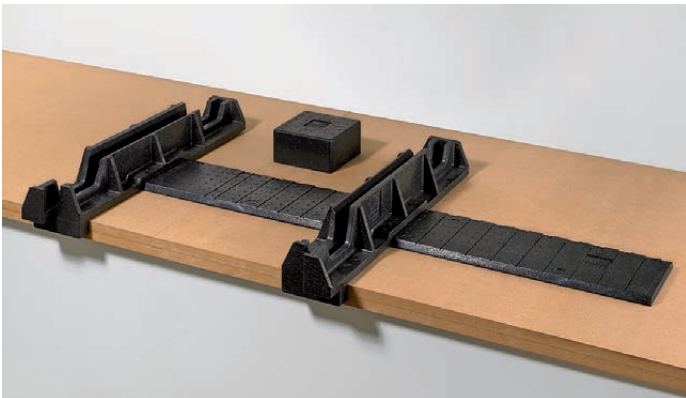
InnoFit 200



- ▶ For assembling InnoTech / Innotech Atira drawers and pot-and-pan drawers
- ▶ Manual component positioning and assembling
- ▶ All settings can be made without the need for tools
- ▶ Capacity: up to 40 drawers an hour
- ▶ Metal frame

Order no.	PU
0 041 777	1 ea.

InnoFit 100



- ▶ For assembling InnoTech / Innotech Atira drawers and pot-and-pan drawers
- ▶ Manual component positioning and assembling
- ▶ All settings can be made without the need for tools
- ▶ Capacity: up to 15 drawers an hour
- ▶ Lightweight foamed plastic

Order no.	PU
0 045 555	1 ea.

- ▶ Assembly aids for drawers
- ▶ InnoFit

Knock in tool



- ▶ For assembling ArciTech / InnoTech
- ▶ For knocking in the drawer base clamps into the drawer side profile
- ▶ Galvanised steel, plastic

Order no.	PU
0 078 091	1 ea.

Stacking profile for InnoTech Atira



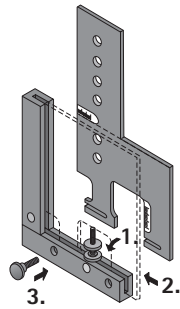
- ▶ For stacking drawers and pot-and-pan drawers
- ▶ Plastic
- ▶ Length 470 mm
- ▶ Can be shortened as required

Order no.	PU
9 210 618	1/40 St.



- ▶ Drilling jigs and hole marking jigs
- ▶ Face angle application, Practica and sleeve drills

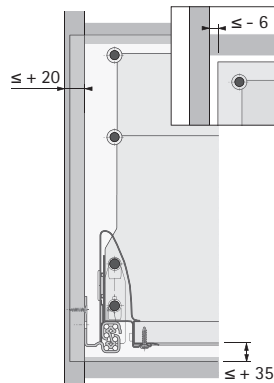
Face angle application



- ▶ Face angle application for combination with Practica drilling jig for ArciTech / InnoTech / InnoTech Atira
- ▶ Aluminium

Order no.	PU
0 078 093	1 ea.

Practica for InnoTech



- ▶ For fitting the front panel connector for
 - InnoTech drawer / pot-and-pan drawer
 - InnoTech pot-and-pan drawer with 2nd railing level
 - InnoTech Atira drawer / pot-and-pan drawer
 - InnoTech Atira pot-and-pan drawer with 2nd railing level
- ▶ Adjustment range
 - Side front panel overlay: up to - 6 mm, up to + 20 mm
 - Front panel height: up to + 35 mm from bottom edge of base
- ▶ Aluminium
- ▶ Please order sleeve drill accessories separately

Page reference:

- ▶ For accessory sleeve drill, see below

Order no.	PU
0 013 392	1 ea.

Sleeve drill

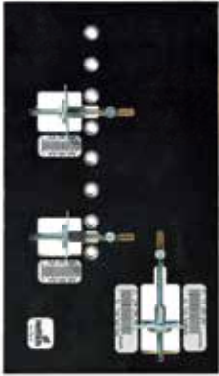


- ▶ Minimal drill wear as the drill bit does not come into contact with the jig
- ▶ Precision drill bit guidance through sleeve
- ▶ Adjustable drill depth stop
- ▶ Can be used with Accura, Practica, Lift Advanced drilling jigs

Diameter mm	Order no.	PU
3	0 078 095	1 ea.
10	0 078 096	1 ea.

- ▶ Drilling jigs and hole marking jigs
- ▶ Practica 200

Practica 200 for InnoTech / InnoTech Atira



- ▶ For fitting the front panel connector for
 - InnoTech Atira
 - Drawer and pot-and-pan drawer
- ▶ Plywood
- ▶ Hardened steel drilling bushes for 10 mm drill bits with depth setting ring
- ▶ Adjustment range
 - Side front panel overlay: up to -6 mm, up to +20 mm
 - Front panel height: up to +35 mm from bottom edge of base

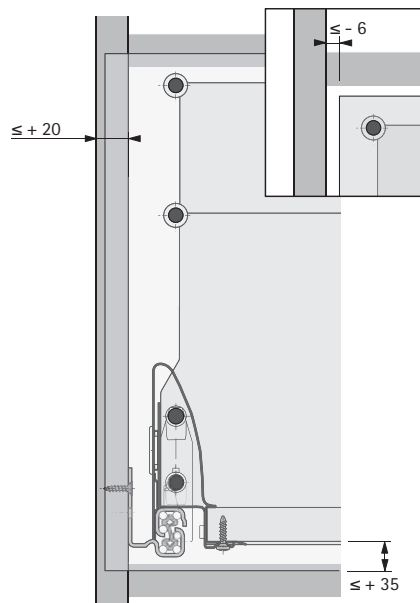
Order no.	PU
9 162 018	1 ea.

Dimensions

<http://www.hettich.com/short/5b9550>



InnoTech / InnoTech Atira



- ▶ Drilling jigs and hole marking jigs
- ▶ BlueJig IT and EB drilling jig

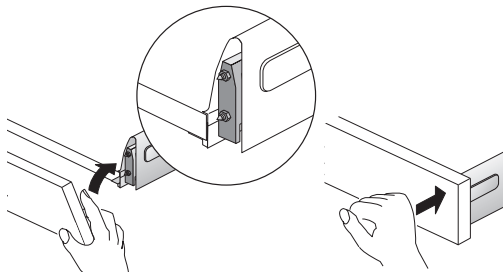
BlueJig IT



- ▶ For marking the holes for fitting InnoTech / InnoTech Atira drawer front connector
- ▶ Plastic / steel

Set comprises:
▶ 2 BlueJig IT

Order no.	PU
0 078 097	1 set

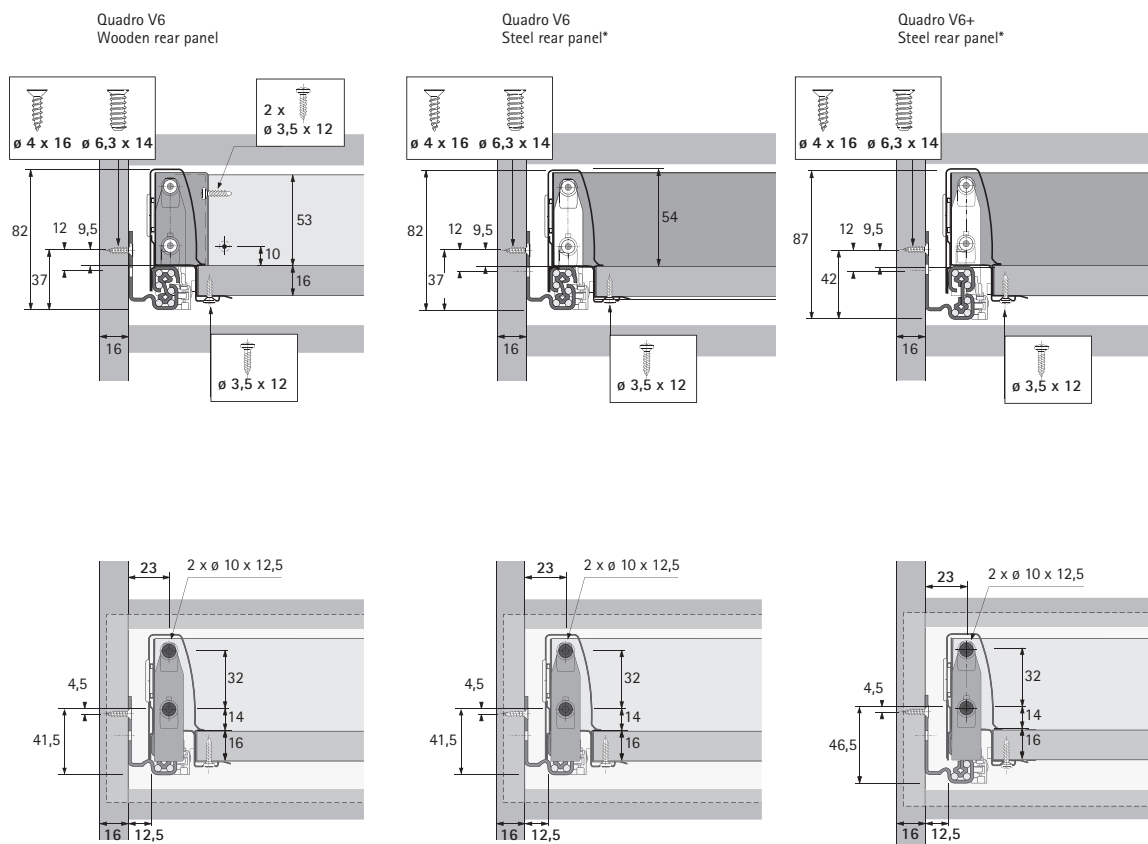


Insert hole marking jig
in drawer profile

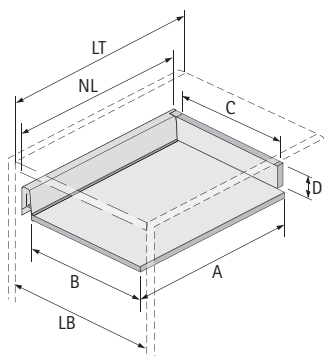
Align front panel
and mark drilling
positions

- ▶ Drawer, height 54 mm
- ▶ Technical information

Planning dimensions



Dimensions for cutting to size

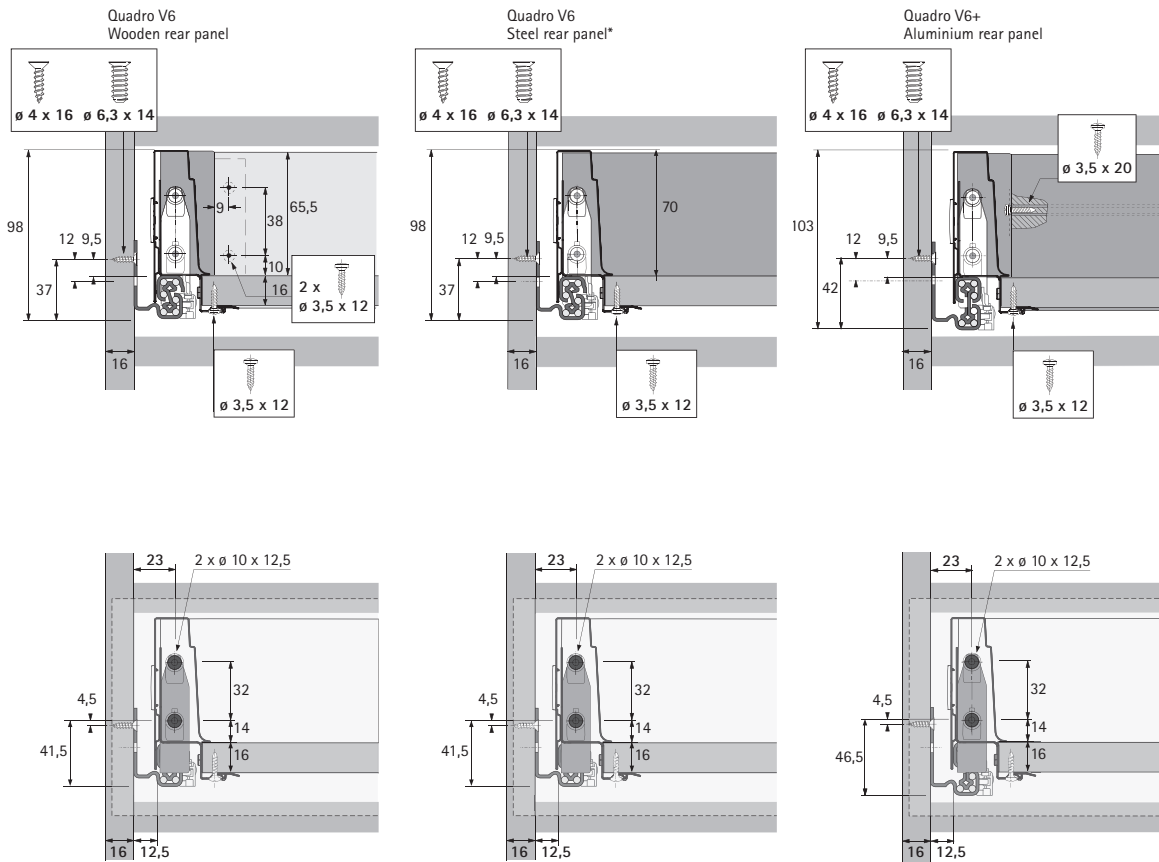


Dimension	Steel rear panel*	Wooden rear panel
A	NL - 3	NL + 10
B	LB - 76.5	LB - 76.5
C	-	LB - 88
D	-	53

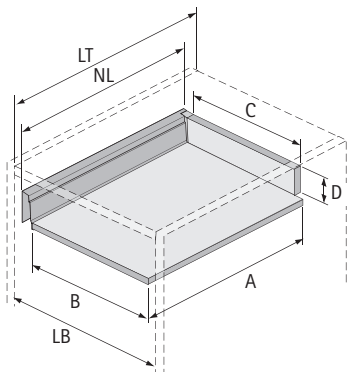
*Available on request

- ▶ Drawer, height 70 mm
- ▶ Technical information

Planning dimensions



Dimensions for cutting to size

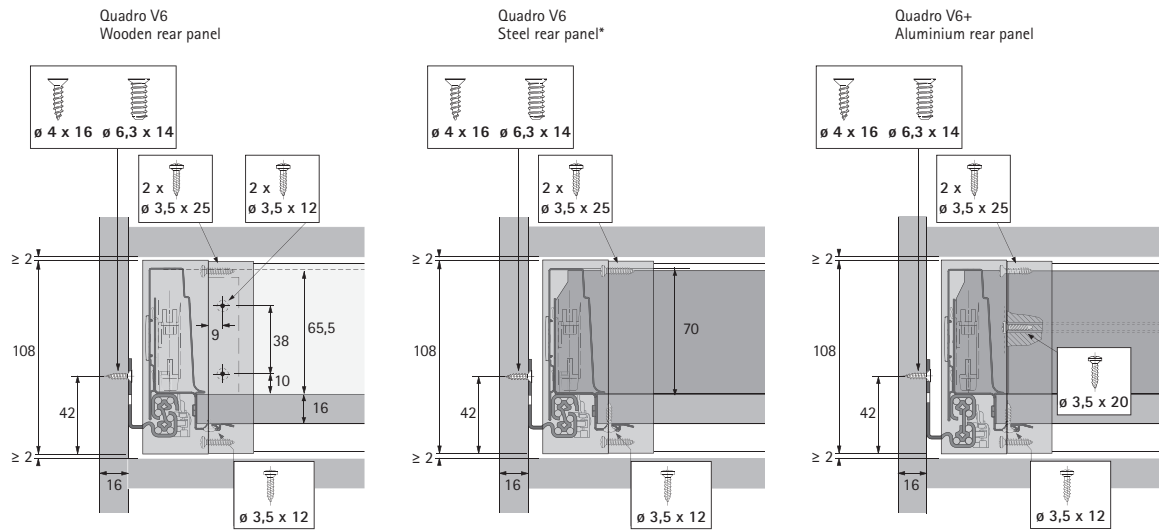


Dimension	Steel rear panel*	Wooden rear panel	Aluminium rear panel
A	NL - 3	NL + 10	NL - 3
B	LB - 76.5	LB - 76.5	LB - 76.5
C	-	LB - 88	LB - 88
D	-	65.5	-

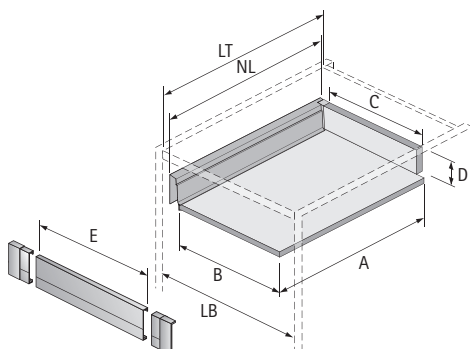
*Available on request

- ▶ Internal drawer 100, height 70 mm
- ▶ Technical information

Planning dimensions



Dimensions for cutting to size

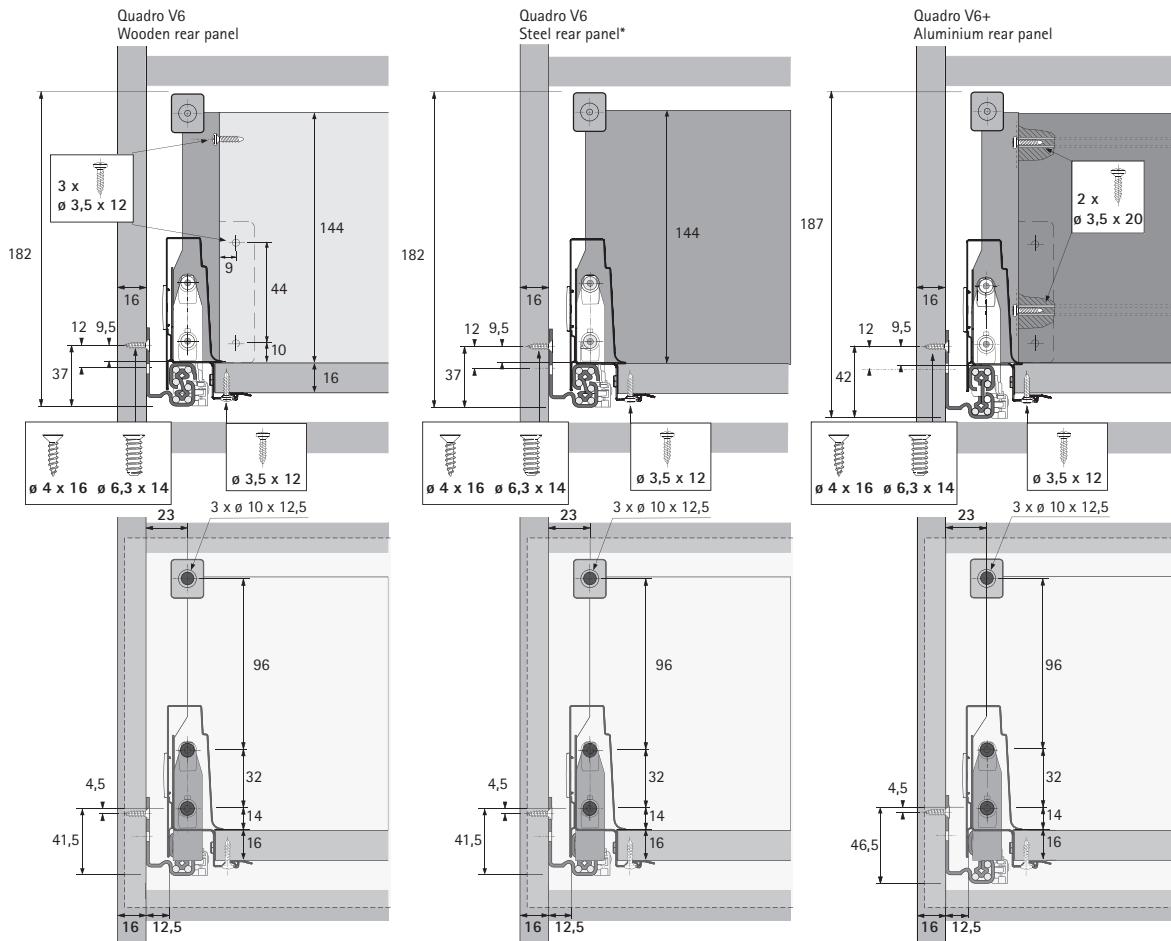


Dimension	Steel rear panel*	Wooden rear panel	Aluminium rear panel
A	NL - 3	NL + 10	NL - 3
B	LB - 76.5	LB - 76.5	LB - 76.5
C	-	LB - 88	LB - 88
D	-	65.5	-
E	LB - 82.5	LB - 82.5	LB - 82.5

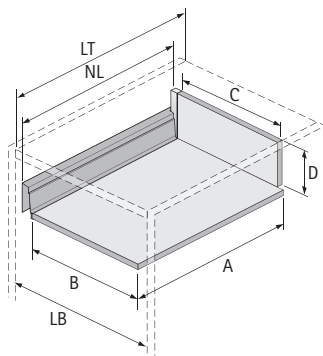
*Available on request

- ▶ Pot-and-pan drawer with railing, height 144 mm
- ▶ Technical information

Planning dimensions



Dimensions for cutting to size

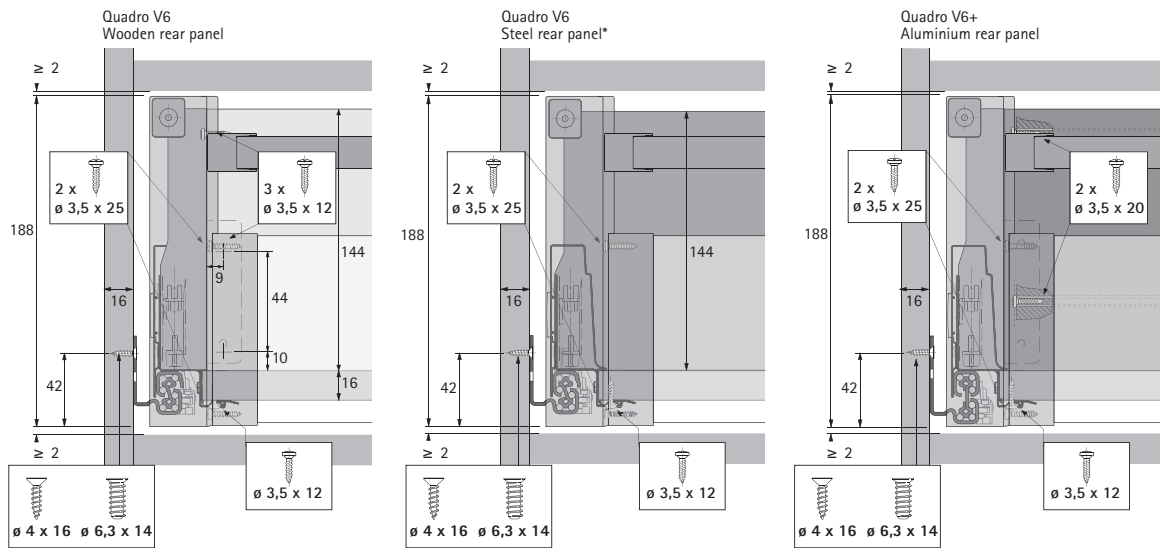


Dimension	Steel rear panel*	Wooden rear panel	Aluminium rear panel
A	NL - 3	NL + 10	NL - 3
B	LB - 76.5	LB - 76.5	LB - 76.5
C	-	LB - 88	LB - 88
D	-	144	-

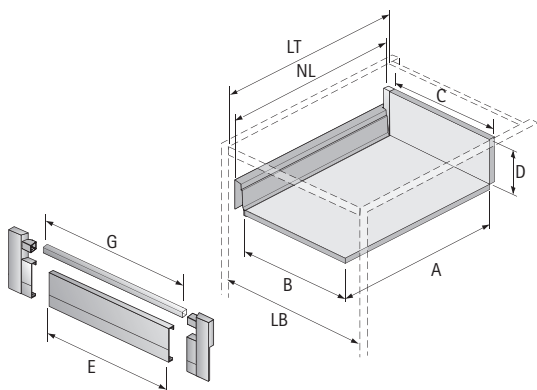
*Available on request

- ▶ Internal pot-and-pan drawer 100 with railing, height 144 mm
- ▶ Technical information

Planning dimensions



Dimensions for cutting to size

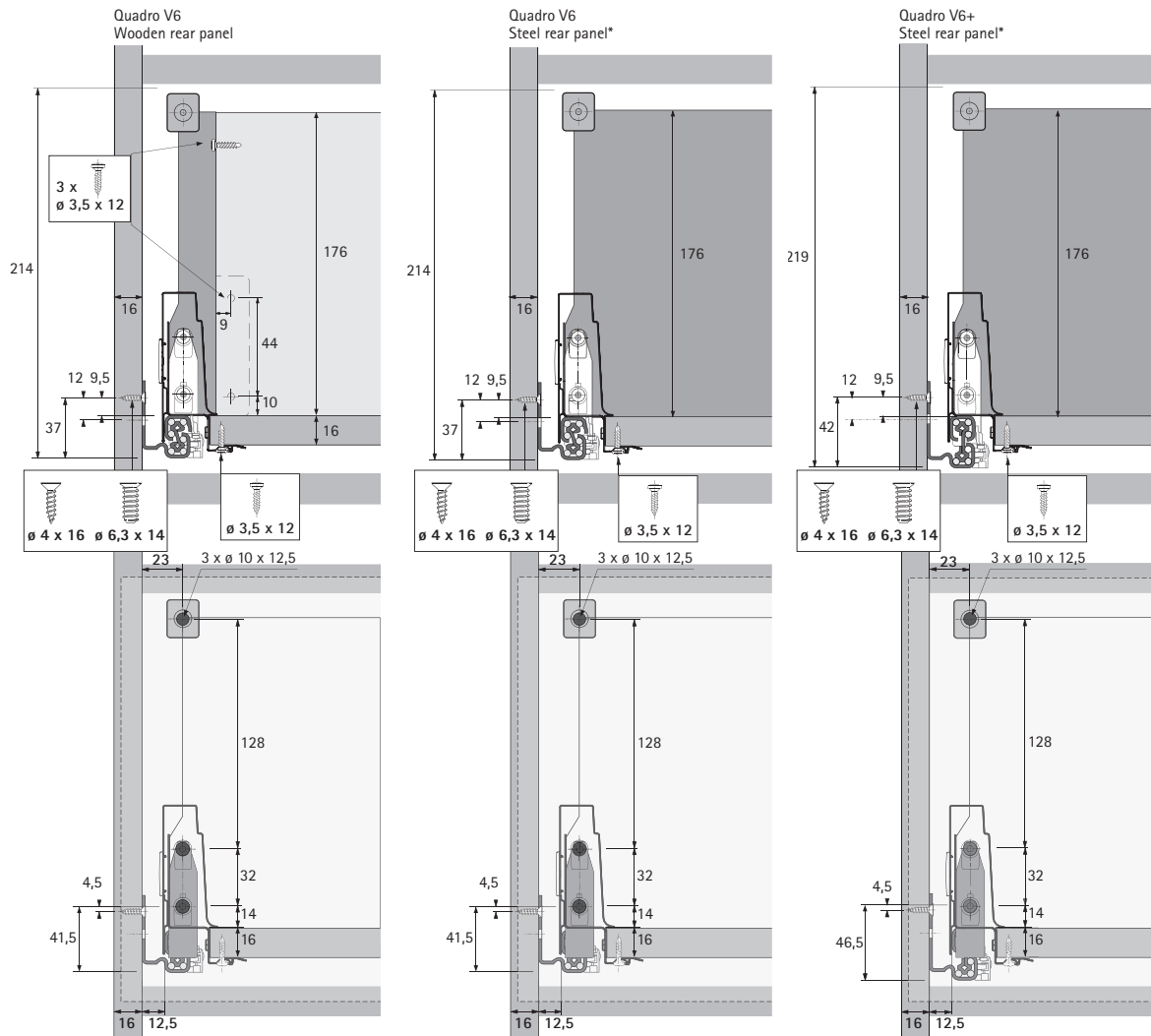


Dimension	Steel rear panel*	Wooden rear panel	Aluminium rear panel
A	NL - 3	NL + 10	NL - 3
B	LB - 76.5	LB - 76.5	LB - 76.5
C	-	LB - 88	LB - 88
D	-	144	-
E	LB - 82.5	LB - 82.5	LB - 82.5
G	LB - 115.5	LB - 115.5	LB - 115.5

*Available on request

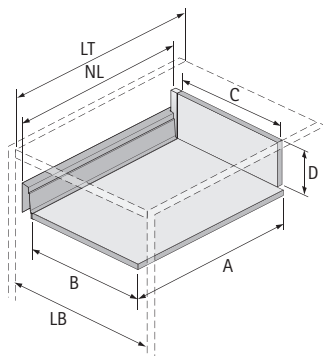
- ▶ Pot-and-pan drawer with railing, height 176 mm
- ▶ Technical information

Planning dimensions



A second railing can be fitted at a space of 64 or 54.5 mm below the upper railing.

Dimensions for cutting to size

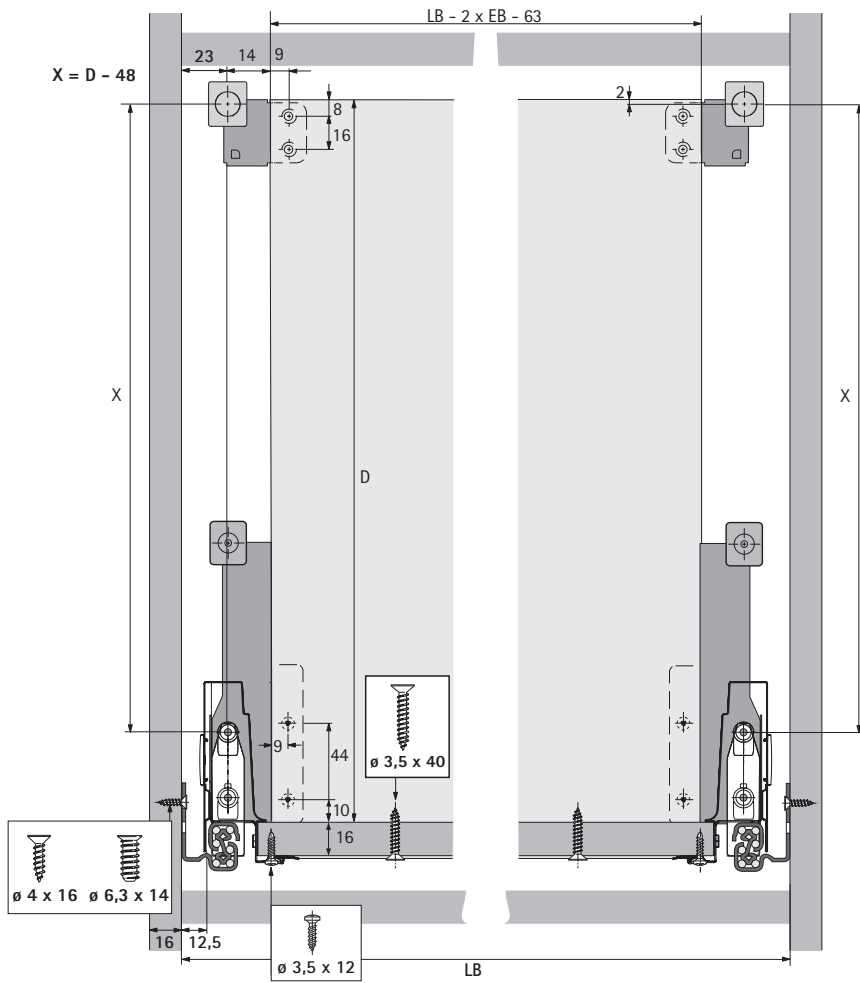


Dimension	Steel rear panel*	Wooden rear panel
A	NL - 3	NL + 10
B	LB - 76.5	LB - 76.5
C	-	LB - 88
D	-	176

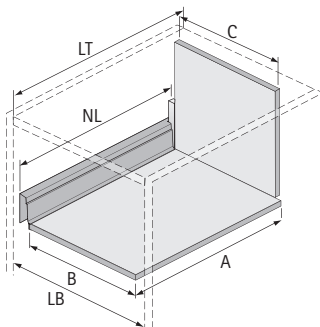
*Available on request

- ▶ Pot-and-pan drawer with railing, customised rear panel height
- ▶ Technical information

Planning dimensions



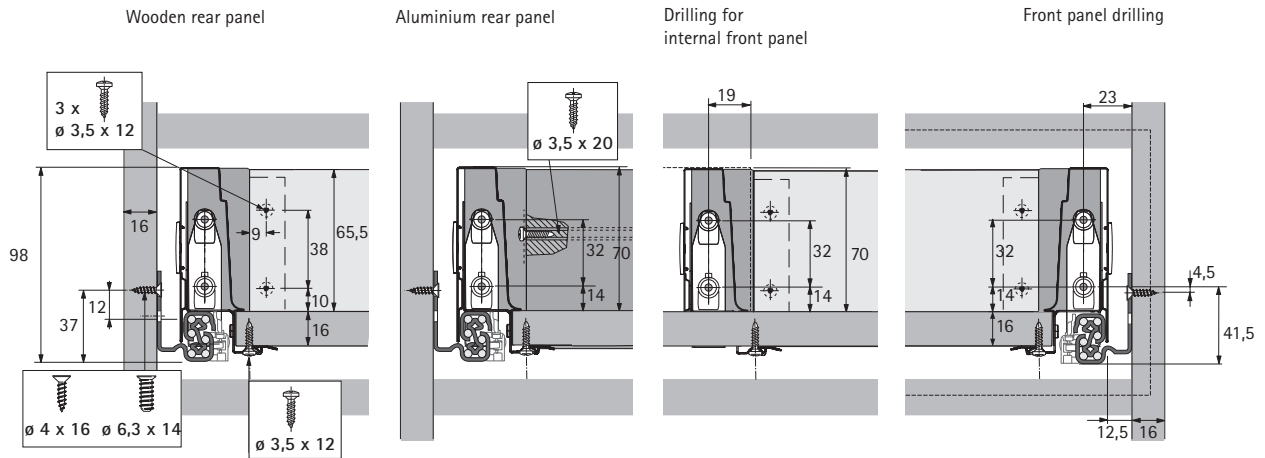
Dimensions for cutting to size



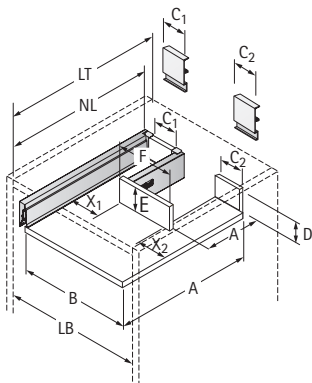
Dimension	Wooden rear panel
A	NL + 10
B	LB - 76.5
C	LB - 88

- ▶ Drawer with bottom cutout, height 70 mm
- ▶ Technical information

Planning dimensions



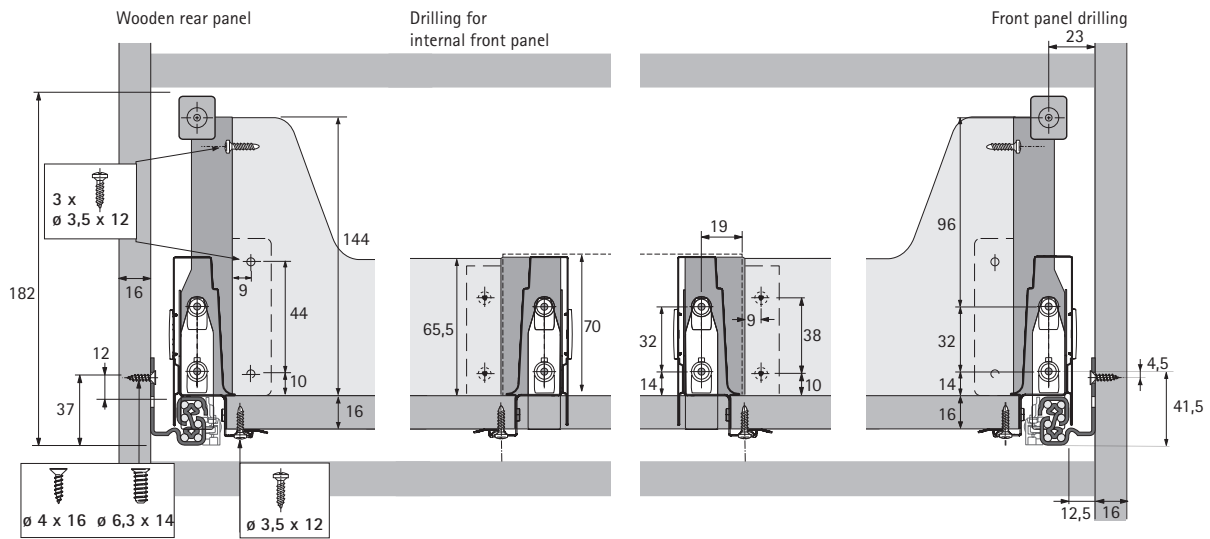
Dimensions for cutting to size



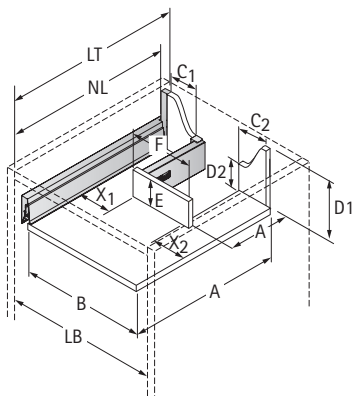
Dimension	Wooden rear panel	Aluminium rear panel
A	NL + 10	NL - 3
B	LB - 76.5	LB - 76.5
C1	X1 - 11.5	X1 - 11.5
C2	X2 - 11.5	X2 - 11.5
D	65.5	-
E	≥ 70	≥ 70
F	B - X1 - X2 + 7	B - X1 - X2 + 7

- ▶ Pot-and-pan drawer with bottom cutout, height 144 mm
- ▶ Technical information

Planning dimensions

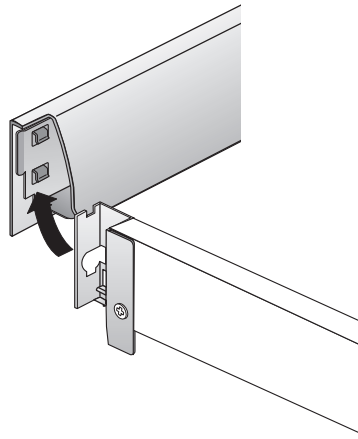
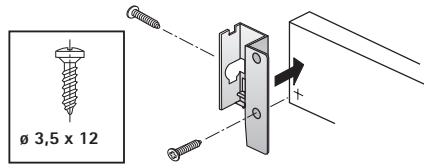
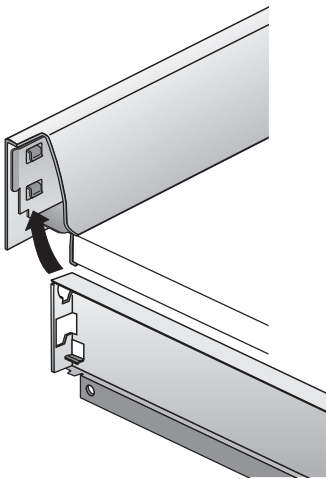


Dimensions for cutting to size



Dimension	Wooden rear panel
A	NL + 10
B	LB - 76,5
C1	X1 - 11,5
C2	X2 - 11,5
D1	144
D2	65,5
E	≥ 70
F	B - X1 - X2 + 7

Assembling drawer, height 54 mm



InnoFit 100

<http://www.hettich.com/short/f3c358>



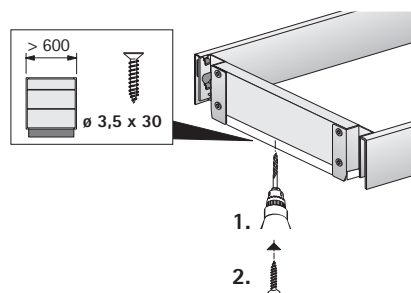
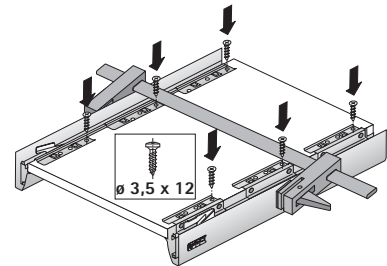
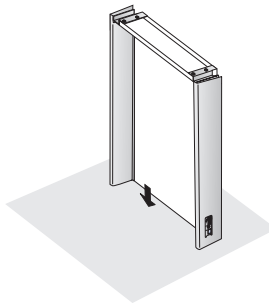
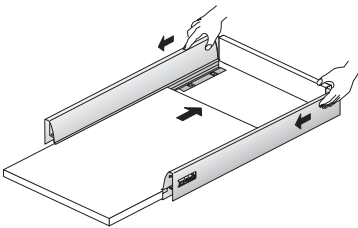
InnoFit 200

<http://www.hettich.com/short/6fe4e0>

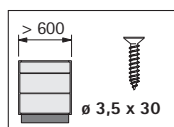
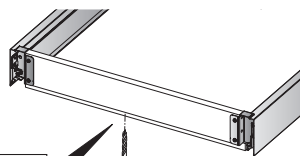
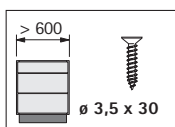
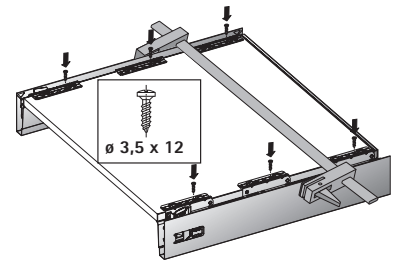
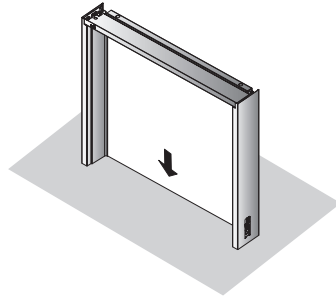
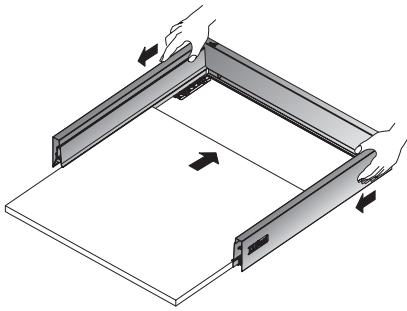
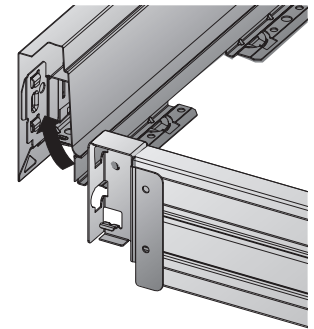
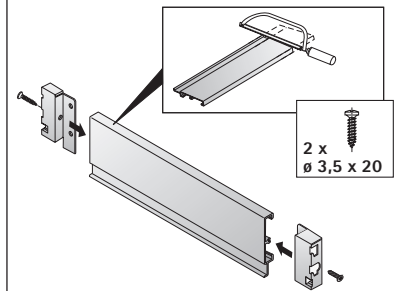
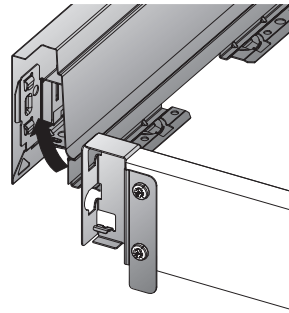
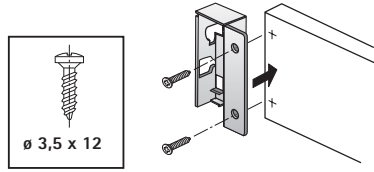
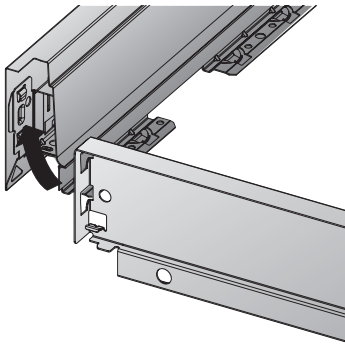


InnoFit 300

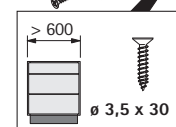
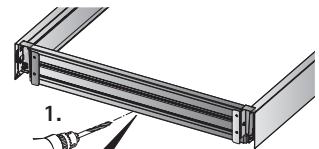
<http://www.hettich.com/short/7d9219>



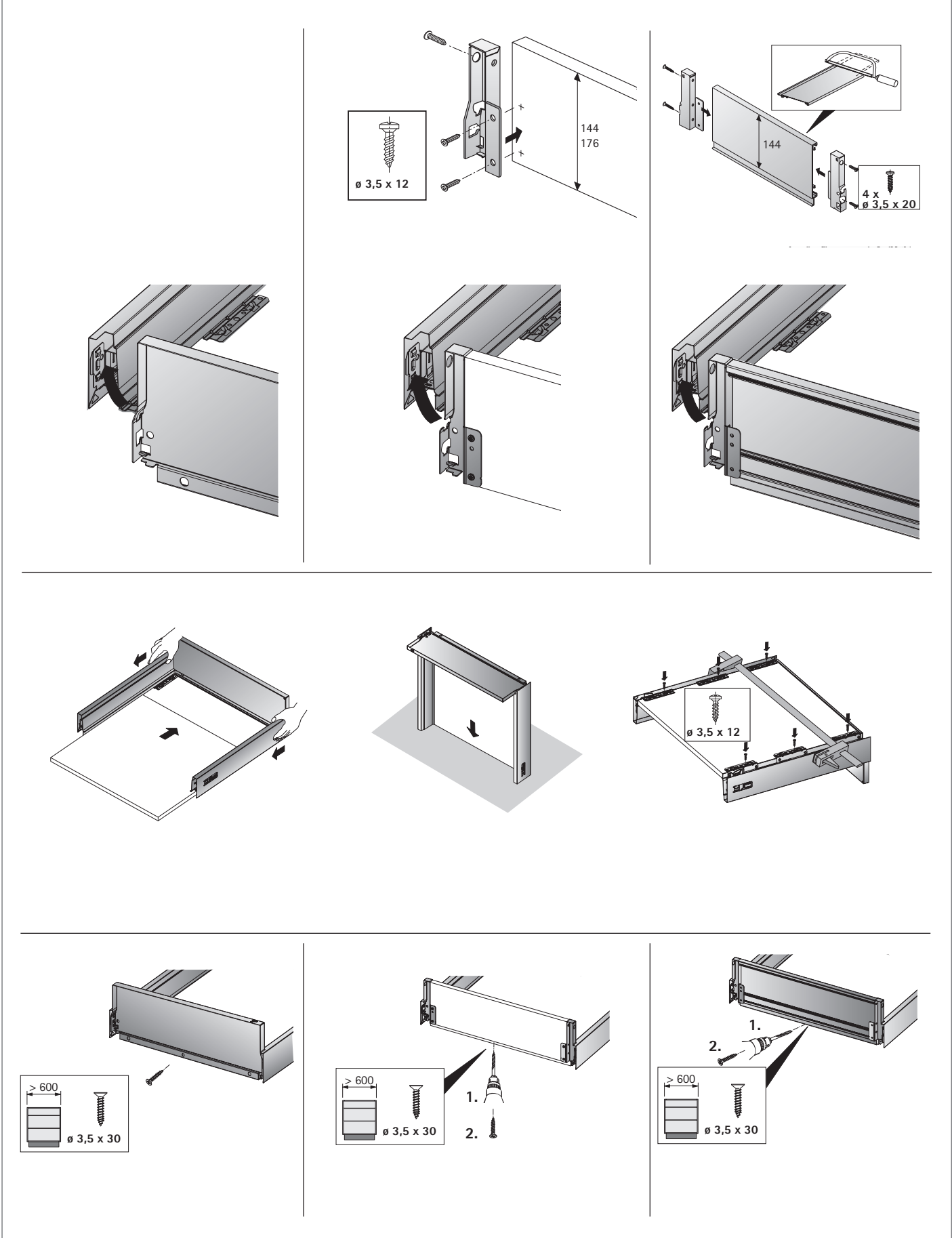
Assembling drawer, height 70 mm



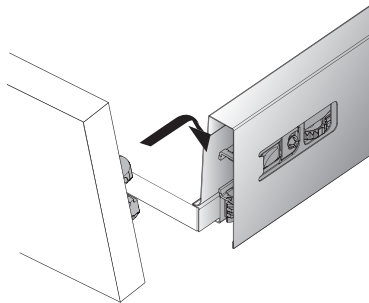
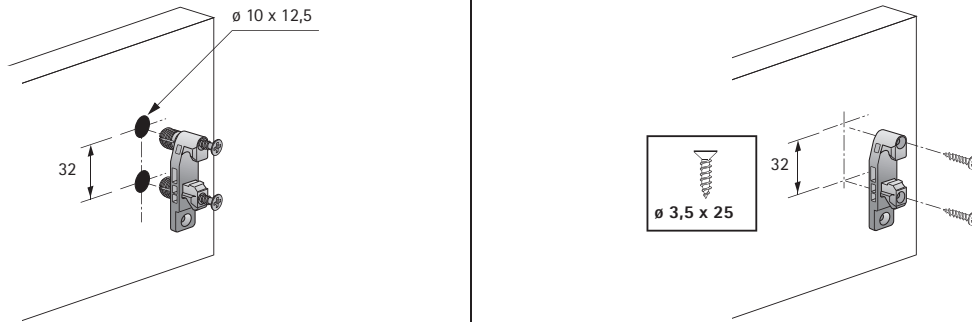
- 1.
- 2.



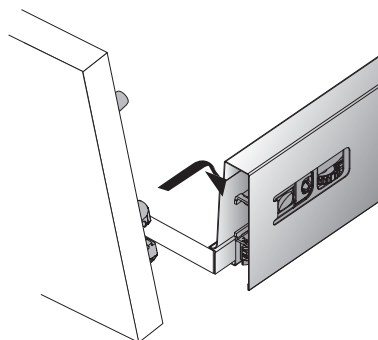
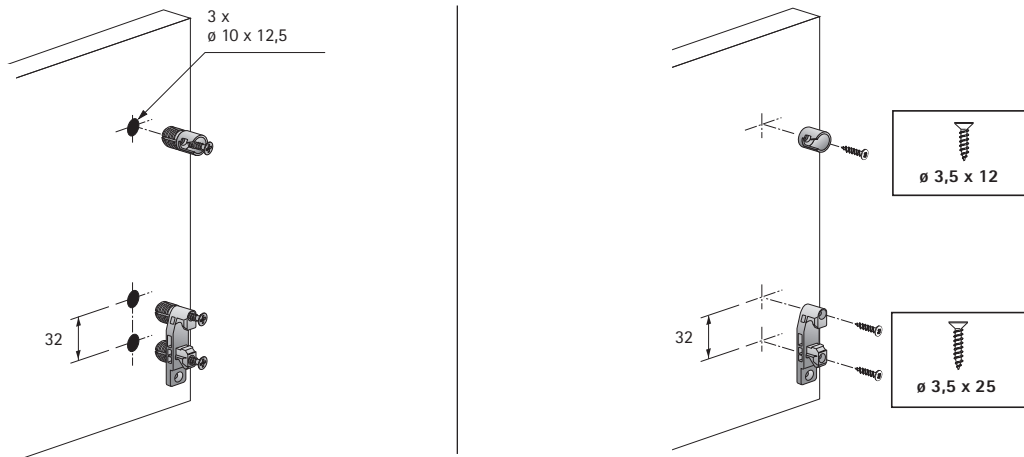
Assembling pot-and-pan drawer, height 144 mm / 176 mm



Installing front panel, drawer, height 54 mm / 70 mm

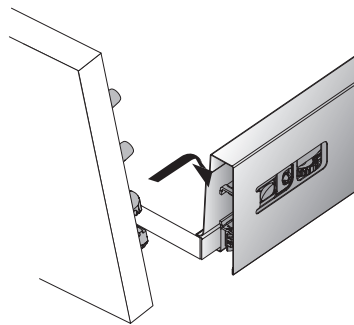
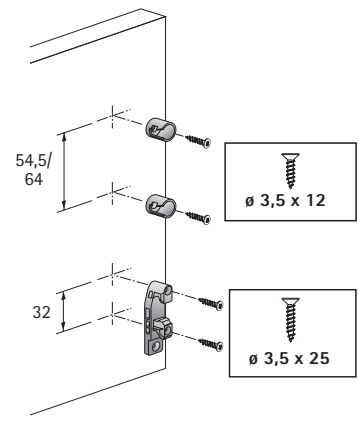
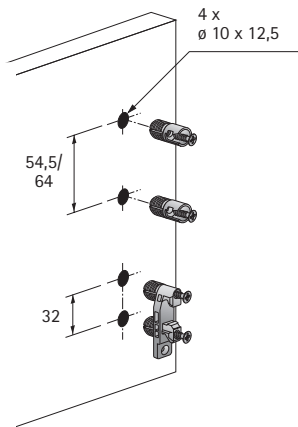


Installing front panel, pot-and-pan drawer with railing, height 144 mm / 176 mm

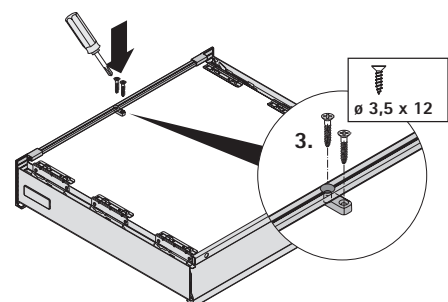
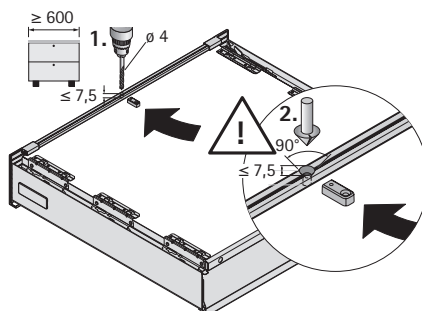
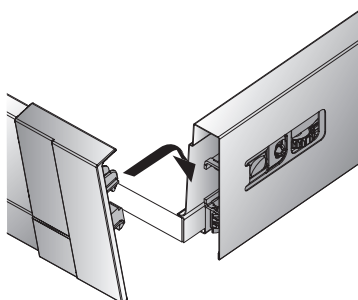
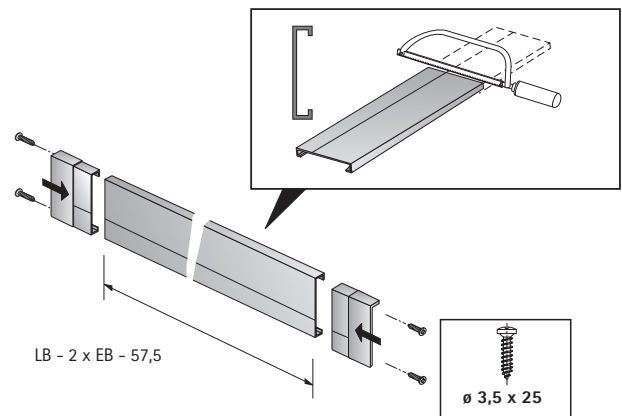
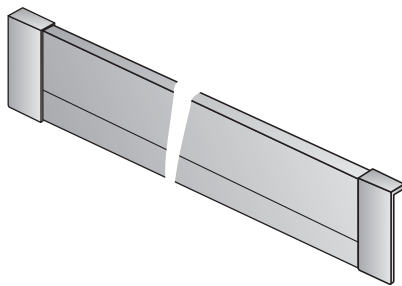


► Installation, adjustment, removal

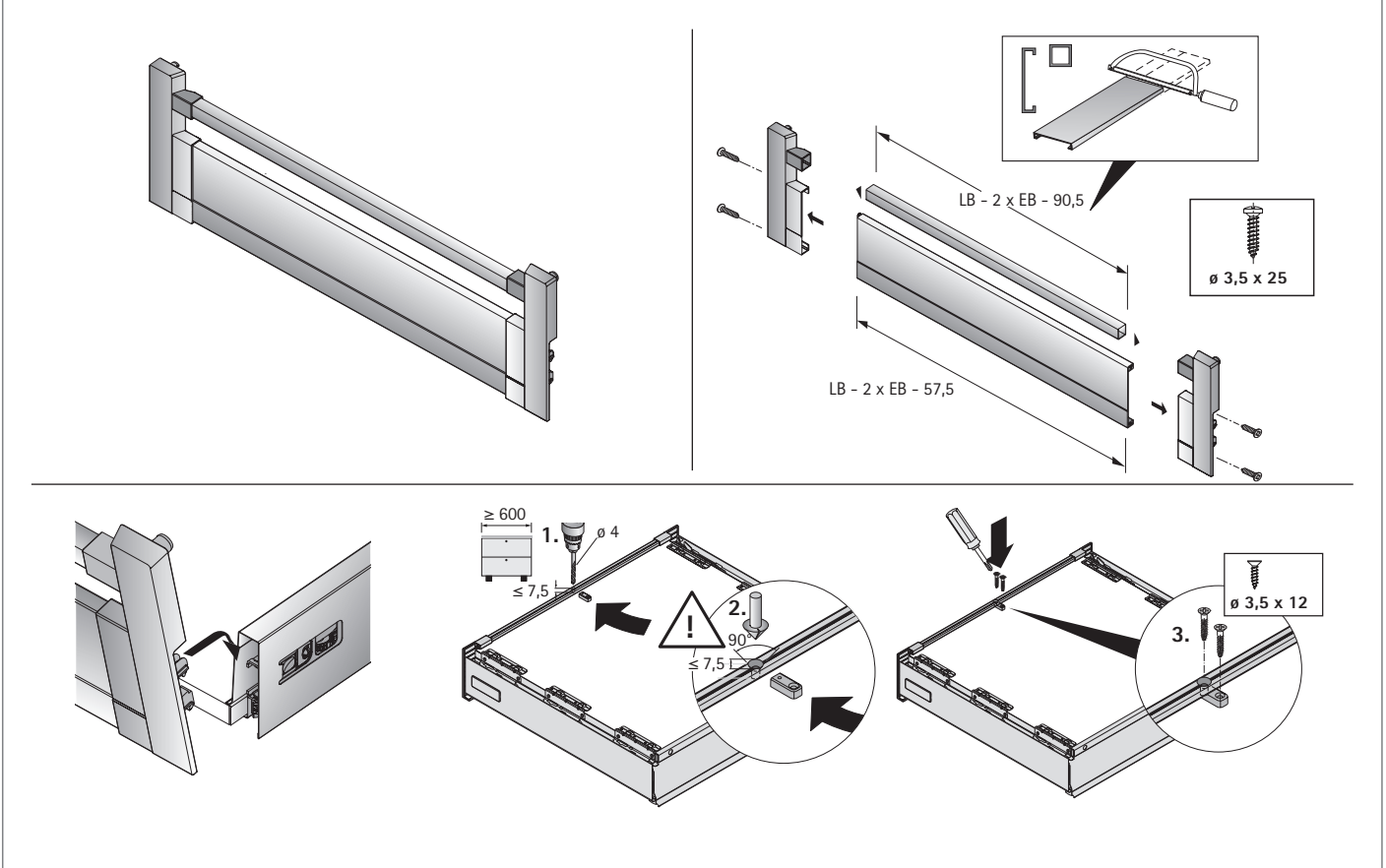
Installing front panel, pot-and-pan drawer with double railing, height 176 mm



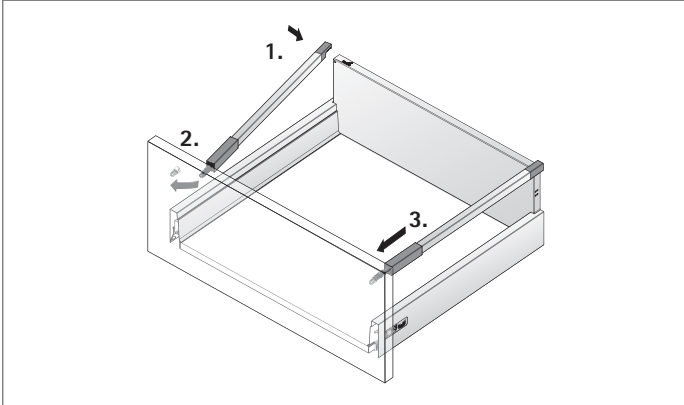
Installing front panel, internal drawer 100, height 70 mm



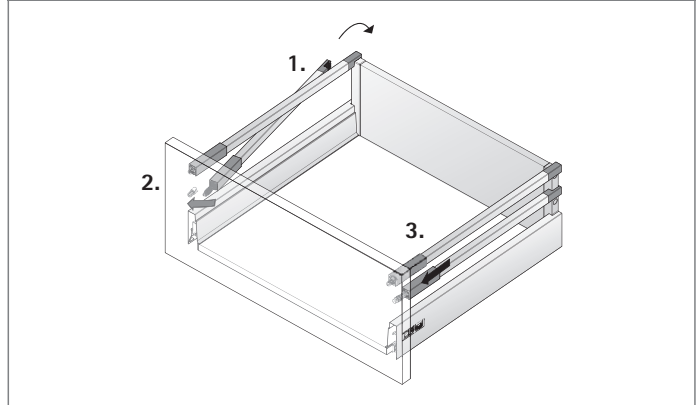
Installing front panel, internal pot-and-pan drawer 100 with railing, height 144 mm



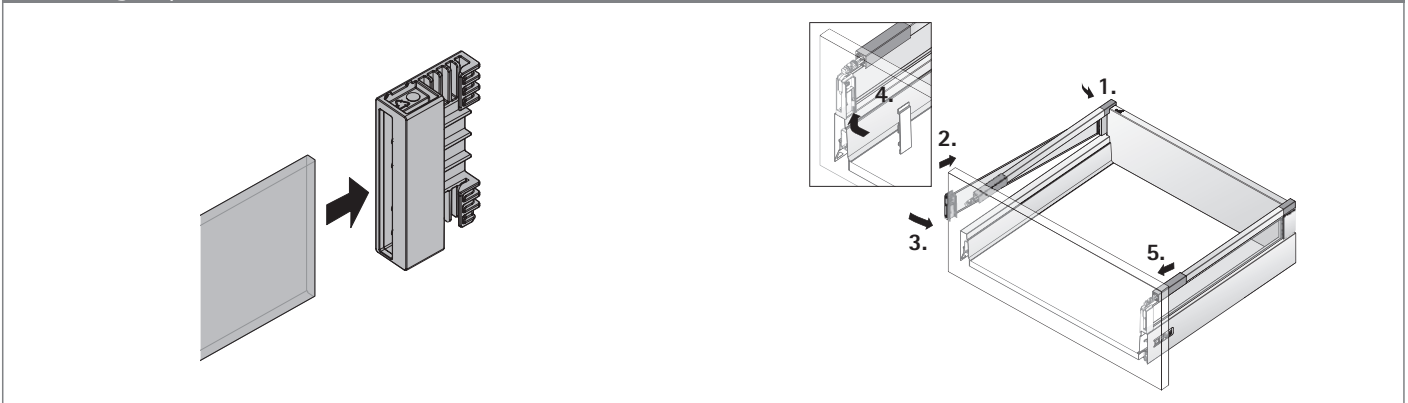
Installing lengthwise railing



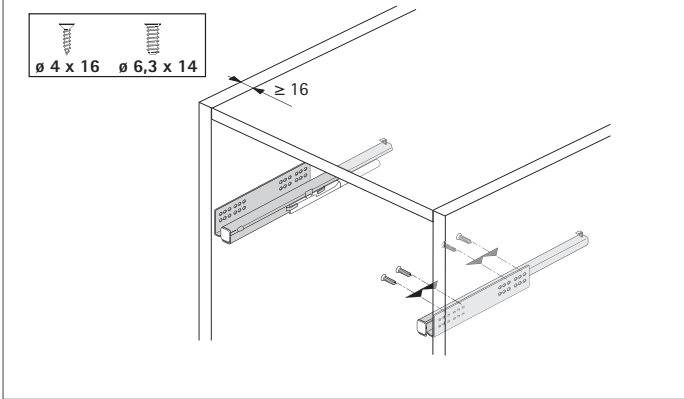
Installing double railing, height 176 mm



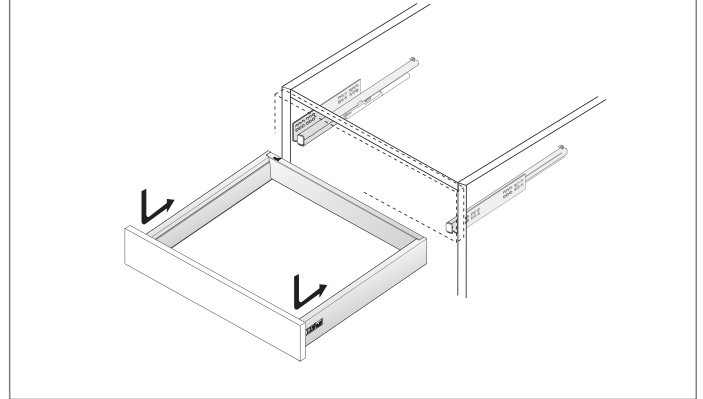
Installing TopSide



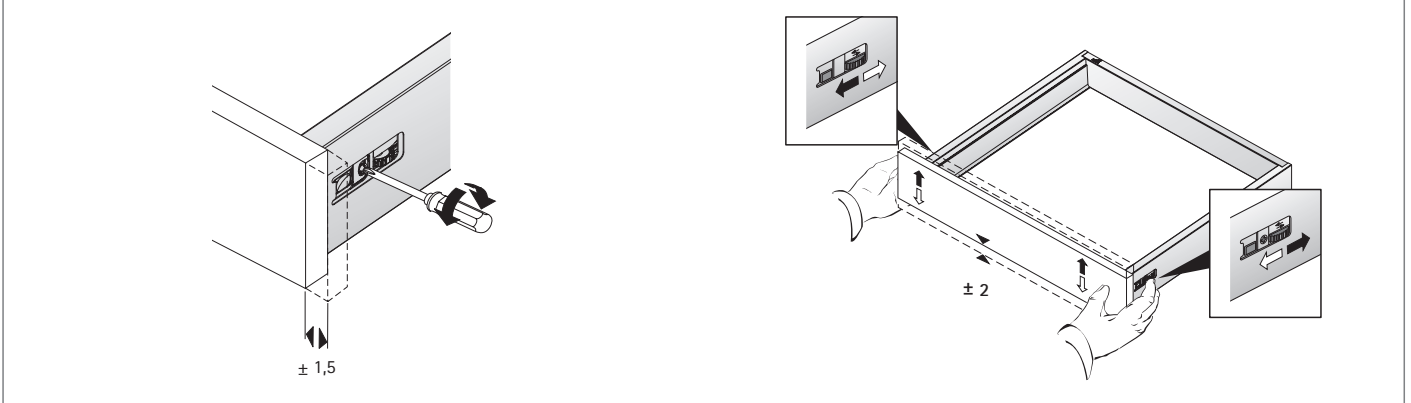
Installing Quadro drawer runner



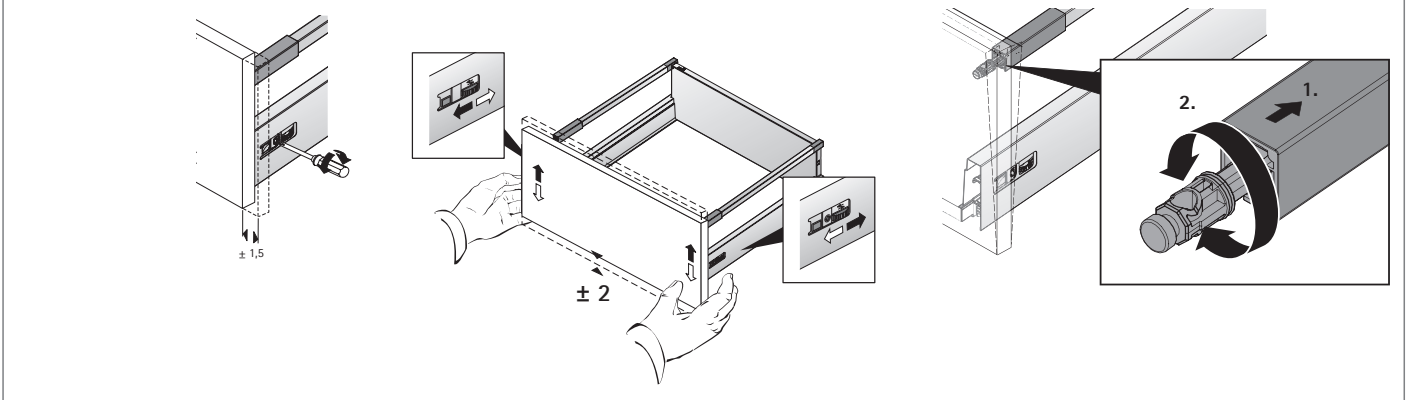
Installing drawer



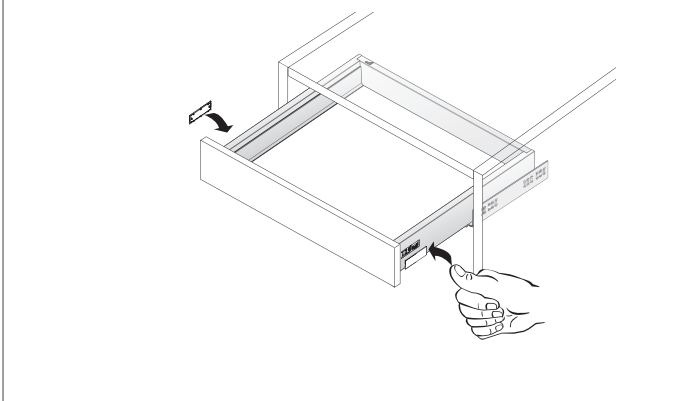
Adjusting front panel, drawer



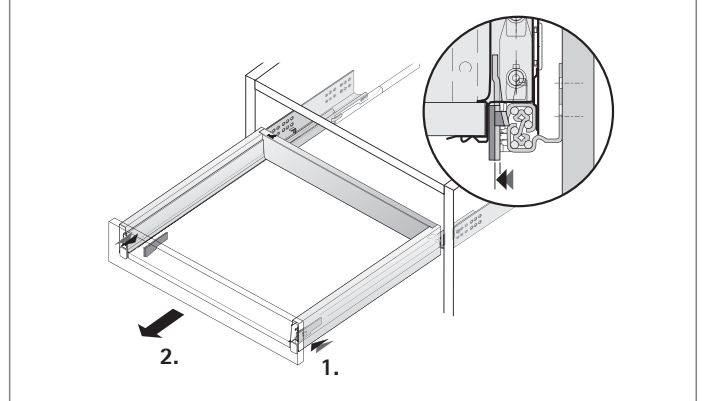
Adjusting front panel, pot-and-pan drawer with railing

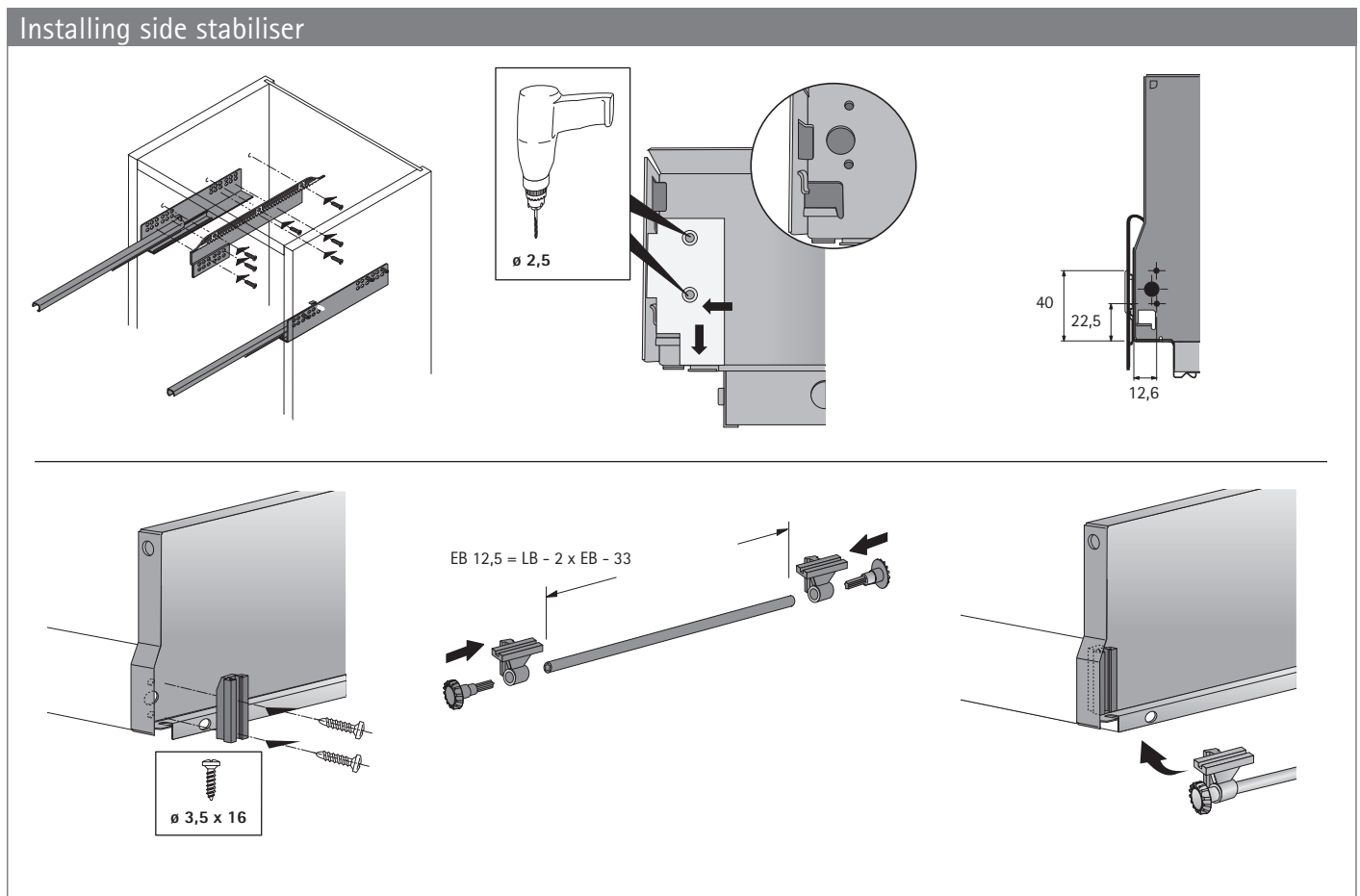
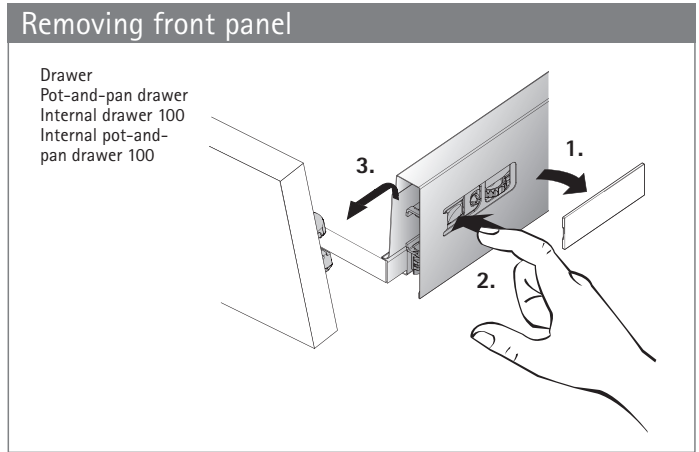
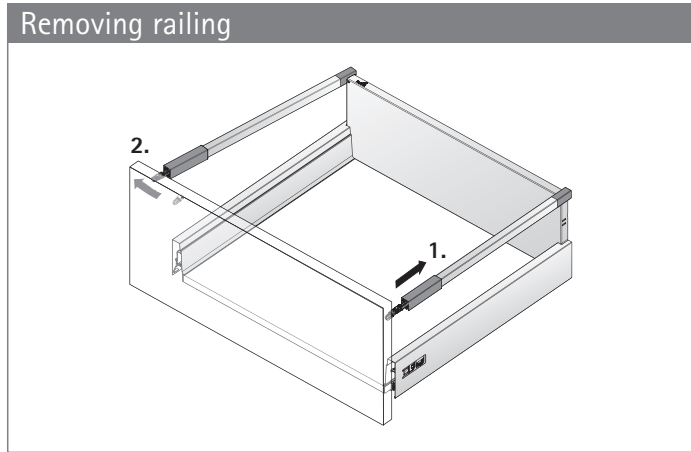


Installing cover cap



Removing drawer





Quality that meets all the demands

The quality of the drawer systems is monitored continuously. Hettich fittings comply with the national and international quality standards of the markets our customers operate in. The diagrams below show some of the tests Hettich fittings are required to pass.

Application

Hettich drawer systems are suitable for use in living room, kitchen, bathroom and office furniture both in the home and business environment.

Load capacity and pull-out guard

The load capacity (to DIN EN 15338) stated in the catalogue is understood to mean the weight of the drawer itself including front panel and contents in kg. The applicable level is shown on the product. Load capacity relates to a reference length of 500 mm. The load capacity may vary for other nominal lengths. All Hettich drawer

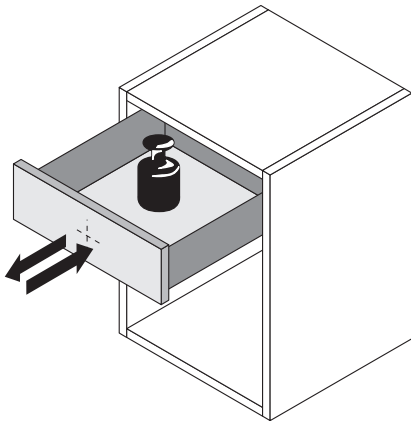
systems feature guards to prevent the drawer from rolling out and being removed unintentionally and meet the requirements of the impact test in a test frame to EN 15338. Fitted in the proper manner, the drawer systems are suitable for furniture defined in EN 14749. The maximum front panel height is governed in particular by material, drawer size and drawer runner. Testing is conducted on drawers with a 130 mm front panel height and pot-and-pan drawers with a 300 mm front panel height. We will be pleased to provide any further information you may require.

Corrosion test

Hettich runner systems satisfy the requirements on corrosion defined in EN 15338, 72-hour condensation water test to EN 6270.

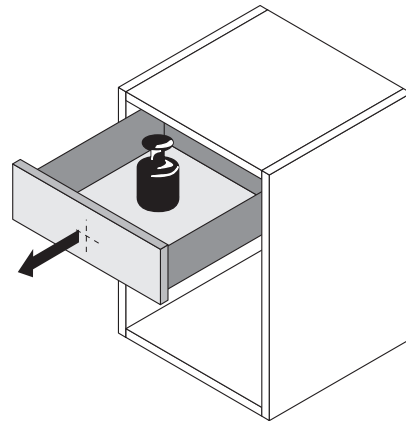
Wear test

The fully laden drawer must remain in proper working order after a defined number of opening and closing operations at a defined test velocity.



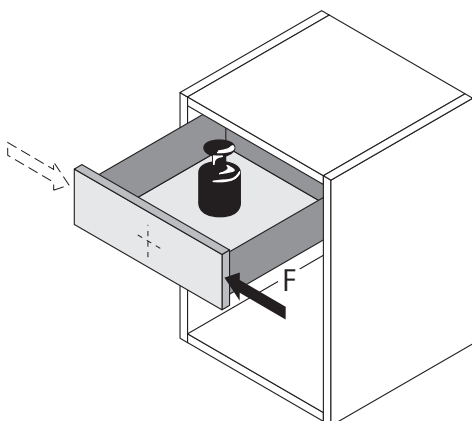
Retention-on-opening test

The fully laden drawer is abruptly opened all the way several times at a defined test velocity.



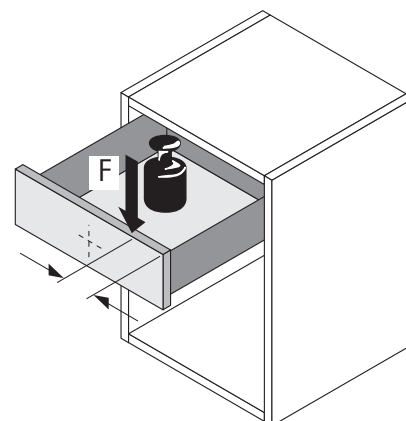
Horizontal load test

Opened all the way, the fully laden drawer is additionally exposed to horizontal strain with a defined lateral force.



Vertical strain test

Opened all the way, the drawer is additionally exposed to vertical strain with a defined eccentric force.



Order number index

Order no.	Page	Order no.	Page	Order no.	Page	Order no.	Page
0 013 225	25	1 061 903*	20	1 065 191	36	9 004 075*	24
0 013 225	28	1 061 904*	16	1 065 191	39	9 004 075*	28
0 013 392	136	1 061 904*	20	1 065 191	42	9 004 076*	24
0 013 952	121	1 061 905*	16	1 065 191	63	9 004 076*	28
0 040 119	59	1 061 905*	20	1 065 191	66	9 004 077*	24
0 041 777	140	1 061 906*	16	1 065 191	74	9 004 077*	28
0 044 934	54	1 061 906*	20	1 065 191	82	9 004 102*	16
0 044 934	104	1 061 907*	16	1 065 191	86	9 004 102*	20
0 045 555	140	1 061 907*	20	1 065 191	89	9 005 931	48
0 074 430	54	1 061 965	24	1 065 191	92	9 007 355	25
0 074 430	104	1 061 965	32	9 002 503	24	9 007 355	28
0 077 913	16	1 061 965	36	9 002 503	32	9 007 355	36
0 077 913	20	1 061 965	42	9 002 503	36	9 007 355	42
0 077 913	39	1 061 965	74	9 002 503	42	9 007 356	25
0 078 091	141	1 061 965	82	9 002 503	74	9 007 356	28
0 078 093	142	1 061 965	86	9 002 503	82	9 007 356	36
0 078 095	142	1 061 965	92	9 002 503	86	9 007 356	42
0 078 096	142	1 062 501	16	9 002 503	92	9 015 064*	32
0 078 097	144	1 062 501	20	9 003 473	13	9 015 067*	32
1 061 450	13	1 062 501	39	9 003 474	13	9 015 068*	32
1 061 450	16	1 062 501	42	9 004 059*	24	9 015 069*	32
1 061 450	24	1 062 502	16	9 004 059*	28	9 015 071*	32
1 061 450	32	1 062 502	20	9 004 065*	24	9 019 743	140
1 061 450	36	1 062 502	39	9 004 065*	28	9 027 831	33
1 061 450	39	1 062 502	42	9 004 067*	24	9 027 832	33
1 061 450	42	1 062 960*	16	9 004 067*	28	9 079 207	54
1 061 450	63	1 062 960*	20	9 004 068*	24	9 079 207	104
1 061 450	66	1 062 961*	16	9 004 068*	28	9 079 232	121
1 061 450	74	1 062 961*	20	9 004 069*	24	9 079 333	120
1 061 450	82	1 063 664*	16	9 004 069*	28	9 079 921	132
1 061 450	86	1 063 664*	20	9 004 070*	24	9 080 311	120
1 061 450	89	1 063 667*	16	9 004 070*	28	9 080 311	138
1 061 450	92	1 063 667*	20	9 004 071*	24	9 081 520*	32
1 061 900*	16	1 063 801	13	9 004 071*	28	9 081 521*	32
1 061 900*	20	1 063 802	13	9 004 072*	24	9 081 522*	32
1 061 901*	16	1 063 806	13	9 004 072*	28	9 081 523*	32
1 061 901*	20	1 065 191	13	9 004 073*	24	9 081 524*	32
1 061 902*	16	1 065 191	16	9 004 073*	28	9 081 525*	32
1 061 902*	20	1 065 191	24	9 004 074*	24	9 101 300	112
1 061 903*	16	1 065 191	32	9 004 074*	28	9 101 301	112

Order number index

Order no.	Page	Order no.	Page	Order no.	Page	Order no.	Page
9 104 107	21	9 132 350	133	9 153 385	107	9 194 393	16
9 105 101	132	9 132 351	122	9 153 387	57	9 194 393	20
9 111 679	129	9 132 352	122	9 153 388	57	9 194 393	24
9 115 820	113	9 132 353	122	9 153 388	107	9 194 393	32
9 115 821	113	9 132 354	126	9 154 000	128	9 194 393	36
9 116 754	113	9 132 355	126	9 154 001	128	9 194 393	39
9 116 775	113	9 132 356	126	9 154 002	128	9 194 393	42
9 116 789	113	9 132 357	126	9 154 003	128	9 194 394	16
9 116 790	113	9 132 359	126	9 154 004	128	9 194 394	20
9 117 473	113	9 132 377	127	9 154 005	128	9 194 394	24
9 117 474	113	9 132 377	134	9 154 006	128	9 194 394	28
9 117 490	113	9 132 377	135	9 154 007	128	9 194 394	32
9 117 501	113	9 132 380	127	9 154 018	128	9 194 394	36
9 117 782	21	9 132 380	134	9 154 019	128	9 194 394	39
9 117 782	29	9 132 380	135	9 154 020	128	9 194 394	42
9 117 782	71	9 132 381	127	9 162 018	143	9 194 395	16
9 117 782	79	9 132 381	134	9 182 230	102	9 194 395	20
9 117 871	113	9 132 382	127	9 182 233	102	9 194 395	24
9 117 872	113	9 132 382	134	9 182 249	102	9 194 395	28
9 117 988	112	9 132 382	135	9 194 390	16	9 194 395	32
9 117 991	112	9 132 384	127	9 194 390	20	9 194 395	36
9 117 993	114	9 132 384	134	9 194 390	24	9 194 395	39
9 117 994	114	9 132 384	135	9 194 390	32	9 194 395	42
9 117 995	114	9 132 386	127	9 194 390	36	9 194 396	16
9 117 997	114	9 132 386	134	9 194 390	39	9 194 396	20
9 118 013	112	9 132 386	135	9 194 390	42	9 194 396	24
9 118 014	112	9 134 074*	32	9 194 391	16	9 194 396	28
9 118 016	112	9 134 771	126	9 194 391	20	9 194 396	32
9 118 018	112	9 134 859	127	9 194 391	24	9 194 396	36
9 118 019	112	9 134 859	134	9 194 391	32	9 194 396	39
9 118 020	112	9 134 860	127	9 194 391	36	9 194 396	42
9 118 054	112	9 134 860	134	9 194 391	39	9 194 397	16
9 118 055	112	9 134 965	109	9 194 391	42	9 194 397	20
9 126 345	114	9 136 187	131	9 194 392	16	9 194 397	24
9 126 346	114	9 136 188	131	9 194 392	20	9 194 397	28
9 126 347	114	9 143 502	115	9 194 392	24	9 194 397	32
9 126 348	114	9 143 503	115	9 194 392	32	9 194 397	36
9 126 421	114	9 143 504	115	9 194 392	36	9 194 397	39
9 126 430	114	9 143 505	115	9 194 392	39	9 194 397	42
9 132 349	133	9 143 506	115	9 194 392	42	9 194 398	16

Order number index

Order no.	Page	Order no.	Page	Order no.	Page	Order no.	Page
9 194 398	20	9 194 403	20	9 194 408	86	9 194 413	86
9 194 398	24	9 194 403	24	9 194 408	89	9 194 413	89
9 194 398	28	9 194 403	28	9 194 408	92	9 194 413	92
9 194 398	32	9 194 403	32	9 194 409	66	9 194 414	66
9 194 398	36	9 194 403	36	9 194 409	70	9 194 414	70
9 194 398	39	9 194 403	39	9 194 409	74	9 194 414	74
9 194 398	42	9 194 403	42	9 194 409	78	9 194 414	78
9 194 399	16	9 194 404	66	9 194 409	82	9 194 414	82
9 194 399	20	9 194 404	70	9 194 409	86	9 194 414	86
9 194 399	24	9 194 404	74	9 194 409	89	9 194 414	89
9 194 399	28	9 194 404	82	9 194 409	92	9 194 414	92
9 194 399	32	9 194 404	86	9 194 410	66	9 194 415	66
9 194 399	36	9 194 404	89	9 194 410	70	9 194 415	70
9 194 399	39	9 194 404	92	9 194 410	74	9 194 415	74
9 194 399	42	9 194 405	66	9 194 410	78	9 194 415	78
9 194 400	16	9 194 405	70	9 194 410	82	9 194 415	82
9 194 400	20	9 194 405	74	9 194 410	86	9 194 415	86
9 194 400	24	9 194 405	82	9 194 410	89	9 194 415	89
9 194 400	28	9 194 405	86	9 194 410	92	9 194 415	92
9 194 400	32	9 194 405	89	9 194 411	66	9 194 416	66
9 194 400	36	9 194 405	92	9 194 411	70	9 194 416	70
9 194 400	39	9 194 406	66	9 194 411	74	9 194 416	74
9 194 400	42	9 194 406	70	9 194 411	78	9 194 416	78
9 194 401	16	9 194 406	74	9 194 411	82	9 194 416	82
9 194 401	20	9 194 406	82	9 194 411	86	9 194 416	86
9 194 401	24	9 194 406	86	9 194 411	89	9 194 416	89
9 194 401	28	9 194 406	89	9 194 411	92	9 194 416	92
9 194 401	32	9 194 406	92	9 194 412	66	9 194 417	66
9 194 401	36	9 194 407	66	9 194 412	70	9 194 417	70
9 194 401	39	9 194 407	70	9 194 412	74	9 194 417	74
9 194 401	42	9 194 407	74	9 194 412	78	9 194 417	78
9 194 402	16	9 194 407	82	9 194 412	82	9 194 417	82
9 194 402	20	9 194 407	86	9 194 412	86	9 194 417	86
9 194 402	24	9 194 407	89	9 194 412	89	9 194 417	89
9 194 402	28	9 194 407	92	9 194 412	92	9 194 417	92
9 194 402	32	9 194 408	66	9 194 413	66	9 194 432	63
9 194 402	36	9 194 408	70	9 194 413	70	9 194 433	63
9 194 402	39	9 194 408	74	9 194 413	74	9 194 436	63
9 194 402	42	9 194 408	78	9 194 413	78	9 194 438*	66
9 194 403	16	9 194 408	82	9 194 413	82	9 194 438*	70

Order number index

Order no.	Page	Order no.	Page	Order no.	Page	Order no.	Page
9 194 439*	66	9 194 472*	74	9 194 525	36	9 194 535	36
9 194 439*	70	9 194 472*	78	9 194 525	42	9 194 535	42
9 194 440*	66	9 194 474*	74	9 194 526	24	9 194 536	74
9 194 440*	70	9 194 474*	78	9 194 526	32	9 194 536	82
9 194 441*	66	9 194 476*	74	9 194 526	36	9 194 536	86
9 194 441*	70	9 194 476*	78	9 194 526	42	9 194 536	92
9 194 442*	66	9 194 477*	74	9 194 527	24	9 194 537	74
9 194 442*	70	9 194 477*	78	9 194 527	32	9 194 537	82
9 194 443*	66	9 194 478*	74	9 194 527	36	9 194 537	86
9 194 443*	70	9 194 478*	78	9 194 527	42	9 194 537	92
9 194 444*	66	9 194 494*	82	9 194 528	24	9 194 538	74
9 194 444*	70	9 194 495*	82	9 194 528	32	9 194 538	82
9 194 445*	66	9 194 496*	82	9 194 528	36	9 194 538	86
9 194 445*	70	9 194 497*	82	9 194 528	42	9 194 538	92
9 194 446*	66	9 194 498*	82	9 194 529	24	9 194 539	74
9 194 446*	70	9 194 499*	82	9 194 529	32	9 194 539	82
9 194 447*	66	9 194 500*	82	9 194 529	36	9 194 539	86
9 194 447*	70	9 194 502*	82	9 194 529	42	9 194 539	92
9 194 448*	66	9 194 503*	82	9 194 530	24	9 194 540	74
9 194 448*	70	9 194 504*	82	9 194 530	32	9 194 540	82
9 194 449*	66	9 194 505*	82	9 194 530	36	9 194 540	86
9 194 449*	70	9 194 518	66	9 194 530	42	9 194 540	92
9 194 450*	66	9 194 518	70	9 194 531	24	9 194 541	74
9 194 450*	70	9 194 518	89	9 194 531	32	9 194 541	82
9 194 464*	74	9 194 520	75	9 194 531	36	9 194 541	86
9 194 464*	78	9 194 520	78	9 194 531	42	9 194 541	92
9 194 465*	74	9 194 522	24	9 194 532	24	9 194 542	74
9 194 465*	78	9 194 522	32	9 194 532	32	9 194 542	82
9 194 466*	74	9 194 522	36	9 194 532	36	9 194 542	86
9 194 466*	78	9 194 522	42	9 194 532	42	9 194 542	92
9 194 467*	74	9 194 523	24	9 194 533	24	9 194 543	74
9 194 467*	78	9 194 523	32	9 194 533	32	9 194 543	82
9 194 468*	74	9 194 523	36	9 194 533	36	9 194 543	86
9 194 468*	78	9 194 523	42	9 194 533	42	9 194 543	92
9 194 469*	74	9 194 524	24	9 194 534	24	9 194 544	74
9 194 469*	78	9 194 524	32	9 194 534	32	9 194 544	82
9 194 470*	74	9 194 524	36	9 194 534	36	9 194 544	86
9 194 470*	78	9 194 524	42	9 194 534	42	9 194 544	92
9 194 471*	74	9 194 525	24	9 194 535	24	9 194 545	74
9 194 471*	78	9 194 525	32	9 194 535	32	9 194 545	82

Order number index

Order no.	Page	Order no.	Page	Order no.	Page	Order no.	Page
9 194 545	86	9 194 615	79	9 194 644	82	9 194 652	13
9 194 545	92	9 194 615	100	9 194 644	86	9 194 652	16
9 194 546	74	9 194 617	50	9 194 644	89	9 194 652	20
9 194 546	82	9 194 618	50	9 194 644	92	9 194 652	24
9 194 546	86	9 194 619	100	9 194 646	13	9 194 652	28
9 194 546	92	9 194 620	100	9 194 646	16	9 194 652	32
9 194 547	74	9 194 623	63	9 194 646	20	9 194 652	36
9 194 547	82	9 194 624	63	9 194 646	24	9 194 652	39
9 194 547	86	9 194 627	66	9 194 646	28	9 194 652	42
9 194 547	92	9 194 627	70	9 194 646	32	9 194 653	63
9 194 548	74	9 194 627	89	9 194 646	36	9 194 653	66
9 194 548	82	9 194 627	92	9 194 646	39	9 194 653	70
9 194 548	86	9 194 628	66	9 194 646	42	9 194 653	74
9 194 548	92	9 194 628	70	9 194 647	63	9 194 653	78
9 194 549	74	9 194 628	89	9 194 647	66	9 194 653	82
9 194 549	82	9 194 628	92	9 194 647	70	9 194 653	86
9 194 549	86	9 194 635	75	9 194 647	74	9 194 653	89
9 194 549	92	9 194 635	78	9 194 647	78	9 194 653	92
9 194 566	28	9 194 635	86	9 194 647	82	9 194 657	25
9 194 567	28	9 194 635	92	9 194 647	86	9 194 657	28
9 194 568	28	9 194 636	75	9 194 647	89	9 194 658	75
9 194 569	28	9 194 636	78	9 194 647	92	9 194 658	78
9 194 570	28	9 194 636	86	9 194 649	13	9 194 660	33
9 194 571	28	9 194 636	92	9 194 649	16	9 194 661	83
9 194 572	28	9 194 639	83	9 194 649	20	9 194 663	25
9 194 573	28	9 194 640	83	9 194 649	24	9 194 663	75
9 194 574	28	9 194 643	13	9 194 649	28	9 194 664	25
9 194 575	28	9 194 643	16	9 194 649	32	9 194 664	75
9 194 576	78	9 194 643	20	9 194 649	36	9 194 665	25
9 194 577	78	9 194 643	24	9 194 649	39	9 194 665	75
9 194 578	78	9 194 643	28	9 194 649	42	9 194 666	25
9 194 579	78	9 194 643	32	9 194 650	63	9 194 666	75
9 194 580	78	9 194 643	36	9 194 650	66	9 194 667	25
9 194 581	78	9 194 643	39	9 194 650	70	9 194 667	75
9 194 582	78	9 194 643	42	9 194 650	74	9 194 668	25
9 194 583	78	9 194 644	63	9 194 650	78	9 194 668	75
9 194 584	78	9 194 644	66	9 194 650	82	9 194 669	25
9 194 585	78	9 194 644	70	9 194 650	86	9 194 669	75
9 194 614	29	9 194 644	74	9 194 650	89	9 194 670	33
9 194 614	50	9 194 644	78	9 194 650	92	9 194 670	83

Order number index

Order no.	Page	Order no.	Page	Order no.	Page	Order no.	Page
9 194 671	33	9 194 719	21	9 194 866	52	9 194 936	46
9 194 671	83	9 194 720	21	9 194 867	52	9 194 937	46
9 194 672	33	9 194 721	21	9 194 868	52	9 194 938	46
9 194 672	83	9 194 722	21	9 194 881	49	9 194 939	46
9 194 673	33	9 194 723	21	9 194 882	99	9 194 940	46
9 194 673	83	9 194 724	21	9 194 886	48	9 194 941	46
9 194 674	33	9 194 725	21	9 194 887	48	9 194 942	46
9 194 674	83	9 194 726	21	9 194 888	48	9 194 943	46
9 194 675	33	9 194 727	21	9 194 889	48	9 194 944	46
9 194 675	83	9 194 728	71	9 194 891	48	9 194 945	46
9 194 676	33	9 194 729	71	9 194 892	48	9 194 946	46
9 194 676	83	9 194 730	71	9 194 893	48	9 194 947	46
9 194 677	25	9 194 731	71	9 194 894	48	9 194 948	96
9 194 678	25	9 194 732	71	9 194 897	98	9 194 949	96
9 194 679	25	9 194 733	71	9 194 898	98	9 194 950	96
9 194 680	25	9 194 734	71	9 194 899	98	9 194 951	96
9 194 681	25	9 194 735	71	9 194 900	98	9 194 952	96
9 194 682	25	9 194 736	71	9 194 902	98	9 194 953	96
9 194 683	25	9 194 764	21	9 194 903	98	9 194 954	96
9 194 684	75	9 194 764	29	9 194 904	98	9 194 955	96
9 194 685	75	9 194 765	71	9 194 905	98	9 194 956	96
9 194 686	75	9 194 765	79	9 194 917	46	9 194 957	96
9 194 687	75	9 194 770	29	9 194 918	46	9 194 958	96
9 194 688	75	9 194 771	29	9 194 919	46	9 194 959	96
9 194 689	75	9 194 772	29	9 194 920	46	9 194 960	96
9 194 690	75	9 194 773	29	9 194 921	46	9 194 961	96
9 194 698	33	9 194 774	29	9 194 922	46	9 194 962	96
9 194 699	33	9 194 775	29	9 194 923	46	9 194 963	96
9 194 700	33	9 194 776	29	9 194 924	46	9 194 964	96
9 194 701	33	9 194 777	29	9 194 925	46	9 194 965	96
9 194 702	33	9 194 778	29	9 194 926	46	9 194 966	96
9 194 703	33	9 194 779	79	9 194 927	46	9 194 967	96
9 194 704	33	9 194 780	79	9 194 928	46	9 194 968	96
9 194 705	83	9 194 781	79	9 194 929	46	9 194 969	96
9 194 706	83	9 194 782	79	9 194 930	46	9 194 970	96
9 194 707	83	9 194 783	79	9 194 931	46	9 194 971	96
9 194 708	83	9 194 784	79	9 194 932	46	9 194 972	96
9 194 709	83	9 194 785	79	9 194 933	46	9 194 973	96
9 194 710	83	9 194 786	79	9 194 934	46	9 194 974	96
9 194 711	83	9 194 787	79	9 194 935	46	9 194 975	96

Order number index

Order no.	Page	Order no.	Page	Order no.	Page	Order no.	Page
9 194 976	96	9 209 536	54	9 214 803	65	9 216 497	85
9 194 977	96	9 209 568	54	9 214 803	69	9 216 497	91
9 194 978	96	9 209 572	104	9 214 804	73	9 216 498	73
9 196 348	71	9 209 574	104	9 214 804	85	9 216 498	85
9 202 776	46	9 209 575	104	9 214 805	81	9 216 498	91
9 202 777	96	9 209 982*	82	9 214 806	15	9 216 499	73
9 204 201	98	9 210 618	141	9 214 806	19	9 216 499	85
9 204 229	48	9 214 707	94	9 214 817	23	9 216 499	91
9 204 230	98	9 214 708	94	9 214 817	35	9 216 500	73
9 204 257	29	9 214 709	94	9 214 818	31	9 216 500	85
9 204 258	79	9 214 710	94	9 214 819	65	9 216 500	91
9 204 282	58	9 214 711	94	9 214 819	69	9 216 501	81
9 204 283	108	9 214 712	44	9 214 820	73	9 216 502	81
9 206 215	28	9 214 713	44	9 214 820	85	9 216 503	81
9 206 216	28	9 214 714	44	9 214 821	81	9 216 504	81
9 206 219	28	9 214 715	44	9 214 822	15	9 216 505	81
9 206 221	28	9 214 716	44	9 214 822	19	9 216 506	81
9 206 222	28	9 214 717	94	9 214 823	23	9 216 507	15
9 206 224	78	9 214 718	94	9 214 823	35	9 216 508	15
9 206 225	78	9 214 719	94	9 214 824	31	9 216 509	15
9 206 227	78	9 214 720	94	9 214 825	65	9 216 509	39
9 206 230	78	9 214 721	94	9 214 825	69	9 216 510	15
9 206 231	78	9 214 722	44	9 214 826	73	9 216 510	39
9 206 256	36	9 214 723	44	9 214 826	85	9 216 511	15
9 206 257	86	9 214 724	44	9 214 827	81	9 216 511	39
9 207 045	56	9 214 725	44	9 216 479	65	9 216 512	15
9 207 046	106	9 214 726	44	9 216 480	65	9 216 512	39
9 207 241	47	9 214 727	93	9 216 481	65	9 216 513	23
9 207 242	47	9 214 728	93	9 216 481	89	9 216 513	35
9 207 243	97	9 214 729	43	9 216 482	65	9 216 514	23
9 207 245	97	9 214 730	43	9 216 482	89	9 216 514	35
9 207 636	136	9 214 798	15	9 216 483	65	9 216 515	23
9 207 638	130	9 214 798	19	9 216 483	89	9 216 515	35
9 207 642	130	9 214 799	65	9 216 484	65	9 216 515	41
9 207 644	131	9 214 799	69	9 216 484	89	9 216 516	23
9 207 645	132	9 214 800	15	9 216 485	73	9 216 516	35
9 207 651	134	9 214 800	19	9 216 485	85	9 216 516	41
9 207 652	134	9 214 801	23	9 216 486	73	9 216 517	23
9 207 653	134	9 214 801	35	9 216 486	85	9 216 517	35
9 209 533	54	9 214 802	31	9 216 497	73	9 216 517	41

Order number index

Order no.	Page	Order no.	Page	Order no.	Page	Order no.	Page
9 216 518	23	9 216 538	85	9 216 560	31	9 243 715	116
9 216 518	35	9 216 539	81	9 216 561	31	9 243 724	116
9 216 518	41	9 216 540	81	9 216 562	31	9 243 727	116
9 216 519	31	9 216 541	81	9 216 563	31	9 243 730	116
9 216 520	31	9 216 542	81	9 216 564	31	9 243 733	116
9 216 521	31	9 216 543	81	9 216 565	31	9 243 772	116
9 216 522	31	9 216 544	81	9 216 566	31	9 243 775	116
9 216 523	31	9 216 545	81	9 216 567	69	9 243 778	116
9 216 524	31	9 216 546	15	9 216 568	69	9 243 781	116
9 216 525	65	9 216 546	39	9 216 569	69	9 243 784	116
9 216 525	89	9 216 546	41	9 216 570	69	9 243 787	116
9 216 525	91	9 216 547	15	9 216 571	69		
9 216 526	65	9 216 547	39	9 216 572	69		
9 216 526	89	9 216 547	41	9 216 573	69		
9 216 526	91	9 216 548	15	9 216 574	77		
9 216 527	65	9 216 548	39	9 216 575	77		
9 216 527	89	9 216 548	41	9 216 576	77		
9 216 527	91	9 216 549	15	9 216 577	77		
9 216 528	65	9 216 549	39	9 216 578	77		
9 216 528	89	9 216 549	41	9 216 579	19		
9 216 528	91	9 216 550	15	9 216 580	19		
9 216 529	65	9 216 550	39	9 216 581	19		
9 216 529	89	9 216 551	15	9 216 582	19		
9 216 530	65	9 216 551	39	9 216 583	19		
9 216 530	89	9 216 552	15	9 216 584	19		
9 216 531	65	9 216 552	39	9 216 585	19		
9 216 531	89	9 216 553	23	9 216 586	27		
9 216 532	73	9 216 553	35	9 216 587	27		
9 216 532	85	9 216 554	23	9 216 588	27		
9 216 533	73	9 216 554	35	9 216 589	27		
9 216 533	85	9 216 555	23	9 216 590	27		
9 216 534	73	9 216 555	35	9 221 295	118		
9 216 534	85	9 216 556	23	9 233 565	136		
9 216 535	73	9 216 556	35	9 236 718	118		
9 216 535	85	9 216 557	23	9 240 161	117		
9 216 536	73	9 216 557	35	9 240 162	117		
9 216 536	85	9 216 558	23	9 240 163	117		
9 216 537	73	9 216 558	35	9 240 164	117		
9 216 537	85	9 216 559	23	9 243 709	116		
9 216 538	73	9 216 559	35	9 243 712	116		





General technical conditions

The fitting instructions, screw-fixing points and load-bearing information given in this catalogue assume proper attachment using screws specified by Hettich to a carcass material providing a screw pull-out resistance of > 1,000 N in accordance with EN 320. Hettich accepts no responsibility for the use of materials or methods of attachment other than those stated. If other materials or methods of attachment are used, the furniture manufacturer is required to verify the system's load-bearing capacity.

The fitting situations shown in this catalogue are only intended to illustrate the possible options. The furniture manufacturer is responsible for ensuring that furniture is designed in compliance with safety requirements defined in the applicable standards. We will be pleased to provide any further information you may require.

General Terms of Sale and Delivery

All products and services will be provided exclusively on the basis of our General Terms of Sale and Delivery published on our website at www.hettich-agb.com.

Legal Notice

© Hettich Marketing- und Vertriebs GmbH & Co. KG
32278 Kirchlengern · Germany

January 2020

We reserve all rights to this catalogue under copyright law. It shall not be permissible to duplicate this catalogue in any form either in whole or in part without our written consent. Subject to technical alterations. Errors and omissions excepted. Subject to colour variations.

Order no. 9 218 409



Hettich takes a responsibility for the world we live in. This awareness defines the strict policy of environmental management that we practise. Our environmental officer has taken personal responsibility for these aspects throughout the group of companies over a period of many years. In addition, a separate environment committee has been established for each production site. We regard statutory provisions as minimum requirements. At significant sites we also implement the stringent EMAS Regulation. And we drive forward developments that in future will help to save even more raw materials and support the necessary endeavours towards sustainability.

Hettich environmental management

In 1996 Hettich started introducing effective environmental management systems under the stringent EMAS Regulation (currently: EC Regulation No. 761/2001, including EN ISO 14.001/2004). This not only enables us to improve

our environmental performance on a broad front but also to achieve a high level of safety which, not least, also benefits our customers. This is why we also require our suppliers to meet the necessary minimum standards of environmental protection, industrial safety, health care and social welfare.

The results achieved in the drawer runner and drawer system product segment at the Kirchlengern operation in Germany illustrate the impressive effects these measures have and verifiably demonstrate our tireless endeavours to translate words into action:

Relief to the environment between 1997 and 2008:

Specific water consumption:	56 per cent
Specific power consumption:	21 per cent
Specific heat consumption:	84 per cent
Specific CO ₂ emissions:	29 per cent



Hettich standard for product materials

Hettich underpins its commitment by applying an internal standard for product materials. This ensures that every product – from production to disposal – satisfies all environmental requirements. Hettich products are durable. Appropriately foresighted, our rigorous standards are formulated to ensure that international legislation is also met. This provides a reliable base for marketing furniture worldwide.

Zero-energy building – Hettich Forum

The Hettich Forum building with its neutral energy balance is a shining example of future-proof building design. Photovoltaic panels and a solar collection system providing hot water as well as extensive roof greening and use of rain water underscore this building's overall sustainability concept in just the same way as the broad use of cellulose

insulation material from recycled newspapers, highly efficient heat recovery and the bulb-free lighting concept do.

With the Hettich Group having acquired European Commission GreenBuilding Partner status on 5 March 2009, the comprehensive approach demonstrated by the Hettich Forum has also convinced the adjudicating panel of the national "Green Building Award 2009". Hettich received the first prize to be presented in the "New Building" category.

Technik für Möbel



www.hettich.com

Order no.: 9.218.409
1604-010_InnoTech_Aira_0416_HAU/HNZ/en

Technik für Möbel


Hettich