

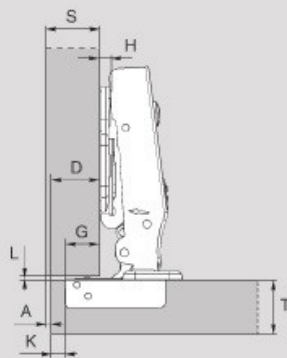
ASSEMBLY AND ADJUSTMENT

PIVOT-PRO Hinges Installation and Parameters



PLANNING

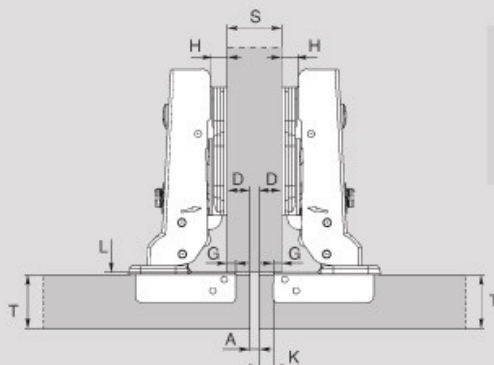
Application with full overlay door



S = Thickness of the cabinet side	A = Reveal
D = Required door overlay	L = Gap between door and carcass
T = Door thickness	H = Height of the mounting plate
K = Drilling distance	G = Hinge constant

Whatever door overlay is required, you can select from our range the combination of both the type of hinge arm and the thickness of mounting plate necessary to solve your construction problem and avoid the need to stock too many different components.

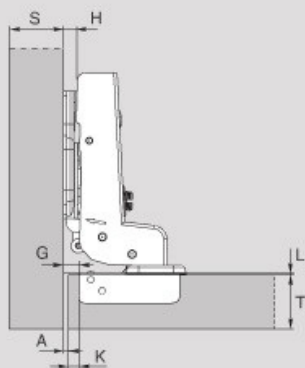
Application with half overlay door



S = Thickness of the cabinet side	A = Reveal
D = Required door overlay	L = Gap between door and carcass
T = Door thickness	H = Height of the mounting plate
K = Drilling distance	G = Hinge constant

Whatever door overlay is required, you can select from our range the combination of both the type of hinge arm and the thickness of mounting plate necessary to solve your construction problem and avoid the need to stock too many different components.

Application with inset door



S = Thickness of the cabinet side	L = Gap between internal face of door and internal cabinet elements (e.g. shelves, drawers, etc.)
T = Door thickness	H = Height of the mounting plate
K = Drilling distance	A = Reveal
A = Reveal	G = Hinge constant

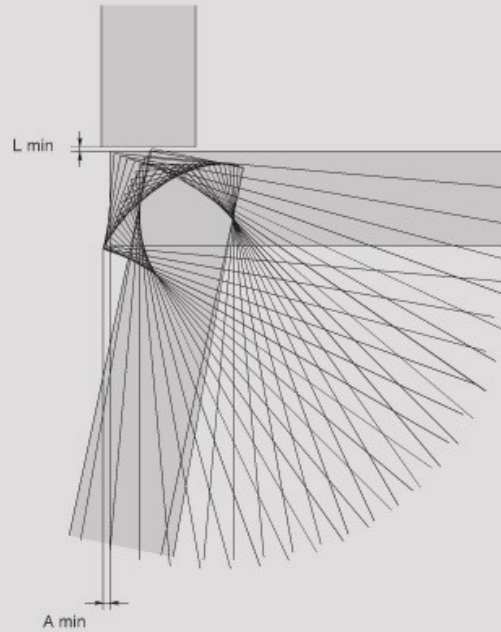
Whatever door overlay is required, you can select from our range the combination of both the type of hinge arm and the thickness of mounting plate necessary to solve your construction problem and avoid the need to stock too many different components.

PLANNING

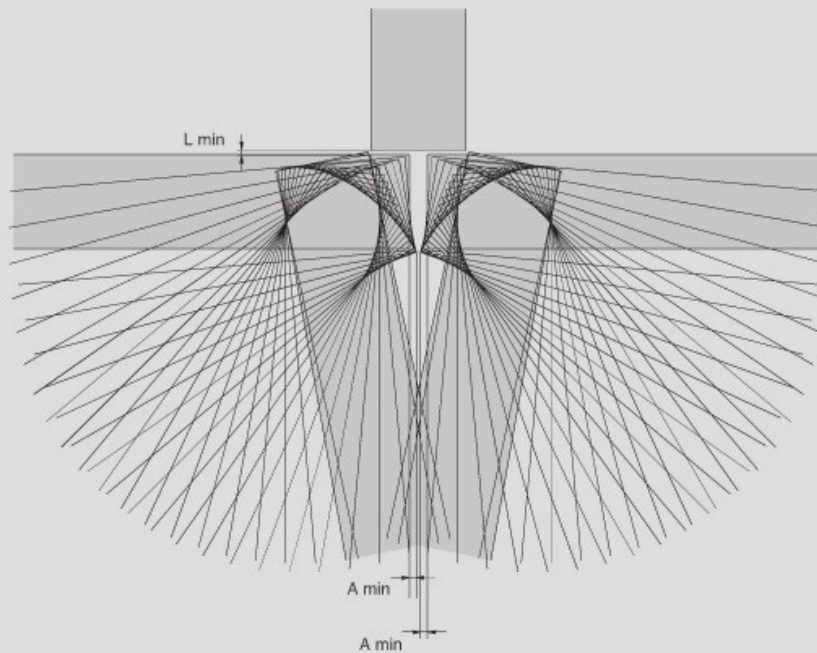


HINGE SERIES

Simulation of the opening movement of a 110° hinge with full overlay door



Simulation of the opening movement of a 110° hinge with half overlay door



ASSEMBLY AND ADJUSTMENT

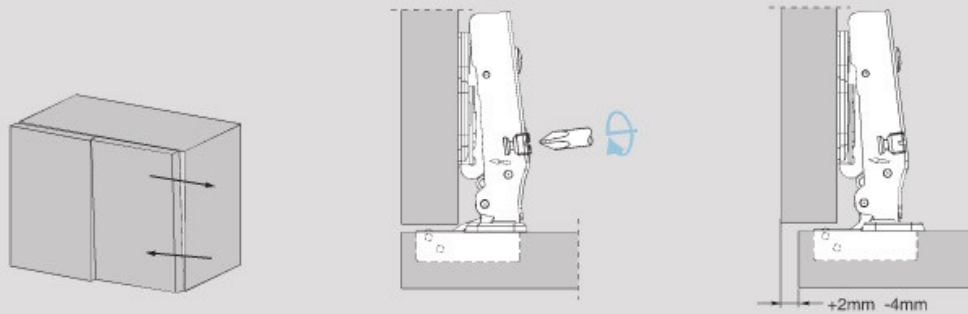
PIVOT-PRO Hinges Installation and Parameters



PLANNING

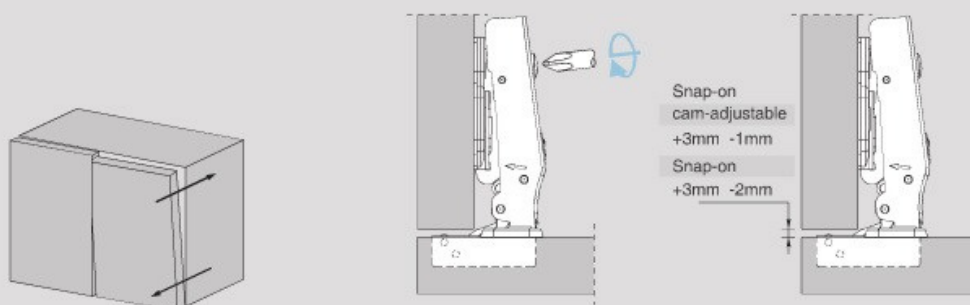
PIVOT-PRO side adjustment

Side adjustment of the door is made by using the indicated screw.



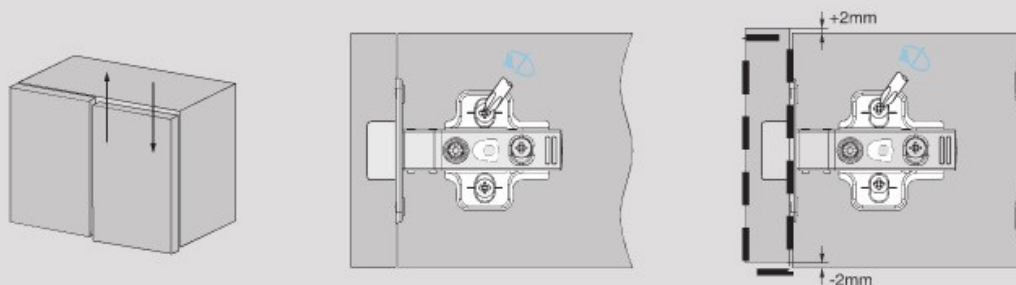
PIVOT-PRO depth adjustment

Depth adjustment is made without loosening any screw. The door can be moved in or out by rotating the cam adjuster on the hinge arm.

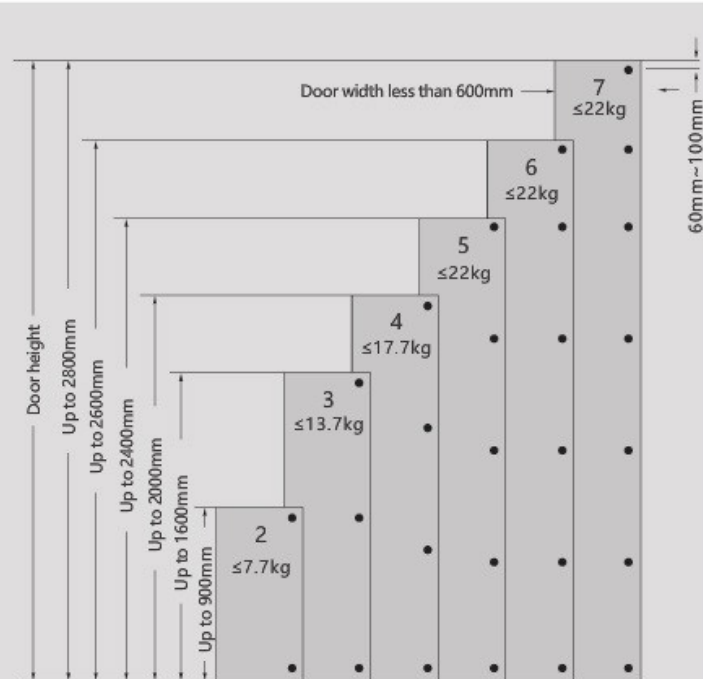
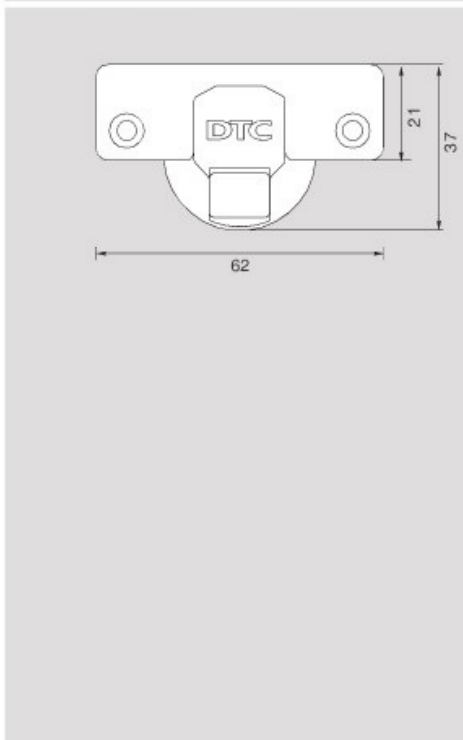


PIVOT-PRO height adjustment

By loosening the two fixing screws to allow the mounting plate to slide up or down, the door can be adjusted vertically by ± 2 mm. After retightening the screws, the depth adjustment is done.



PLANNING



L=distance between hinges, performance is best when L is as far apart as possible

Hinges needed per door

The number of hinges needed depends on three factors: Height, Width and Weight of the door. This illustration can be used as a general guide, however a trial is suggested for doors made of heavier materials. Performance is best when distance (L) is as far apart as possible on doors with two hinges. This is especially important for doors that are wider than they are tall to prevent door sag.

Adjustment

Side adjustment: 4mm~+2mm

Height adjustment: ±2mm

Depth adjustment: Snap-on -2mm~+3mm, Snap-on(Cam adjustable) -1mm~+3mm

Mounting plates

Two-hole and four-hole mounting plates

Up&down cam adjustable mounting plates

