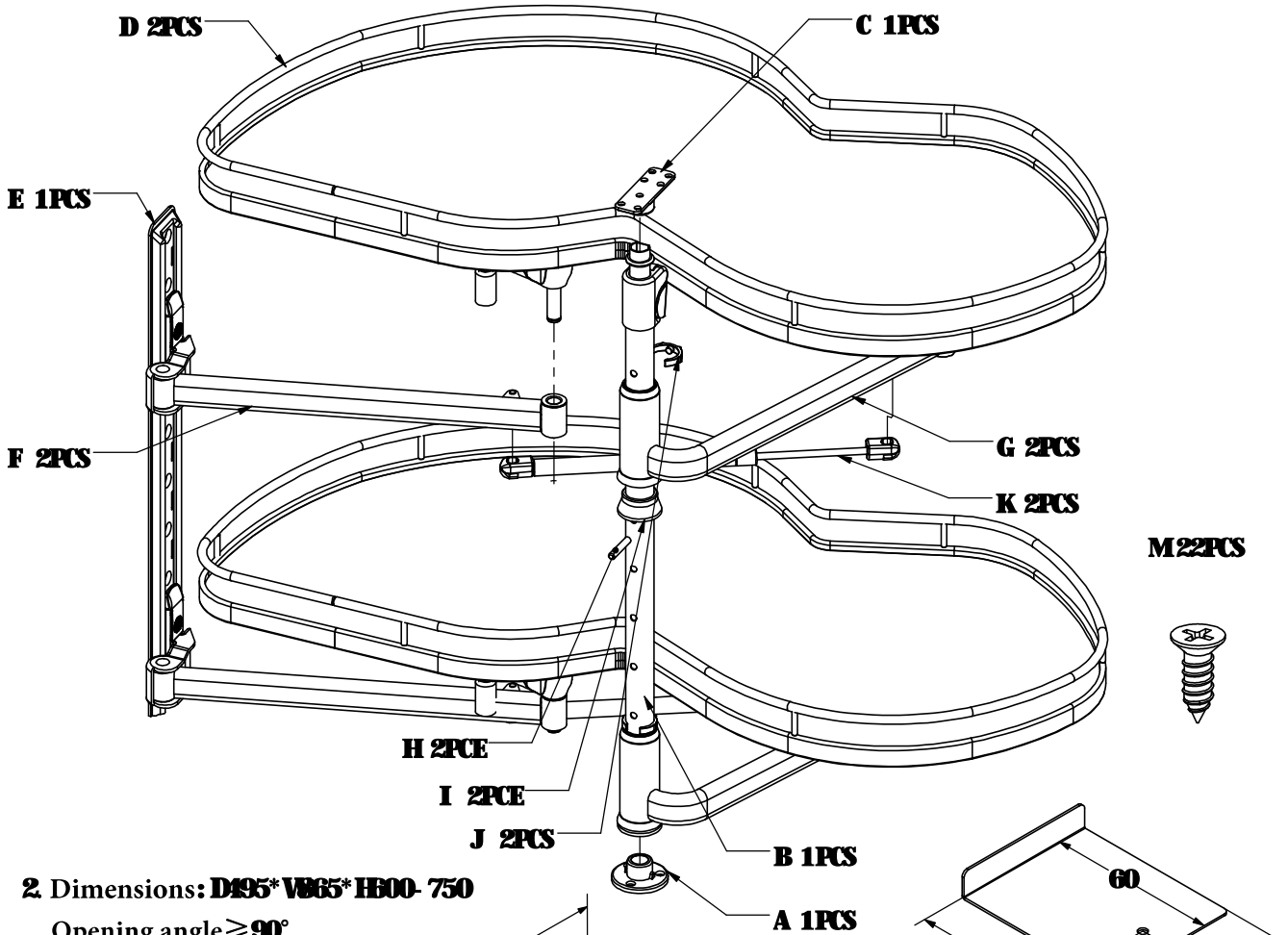


# WCU073-900L/R Installation Guide

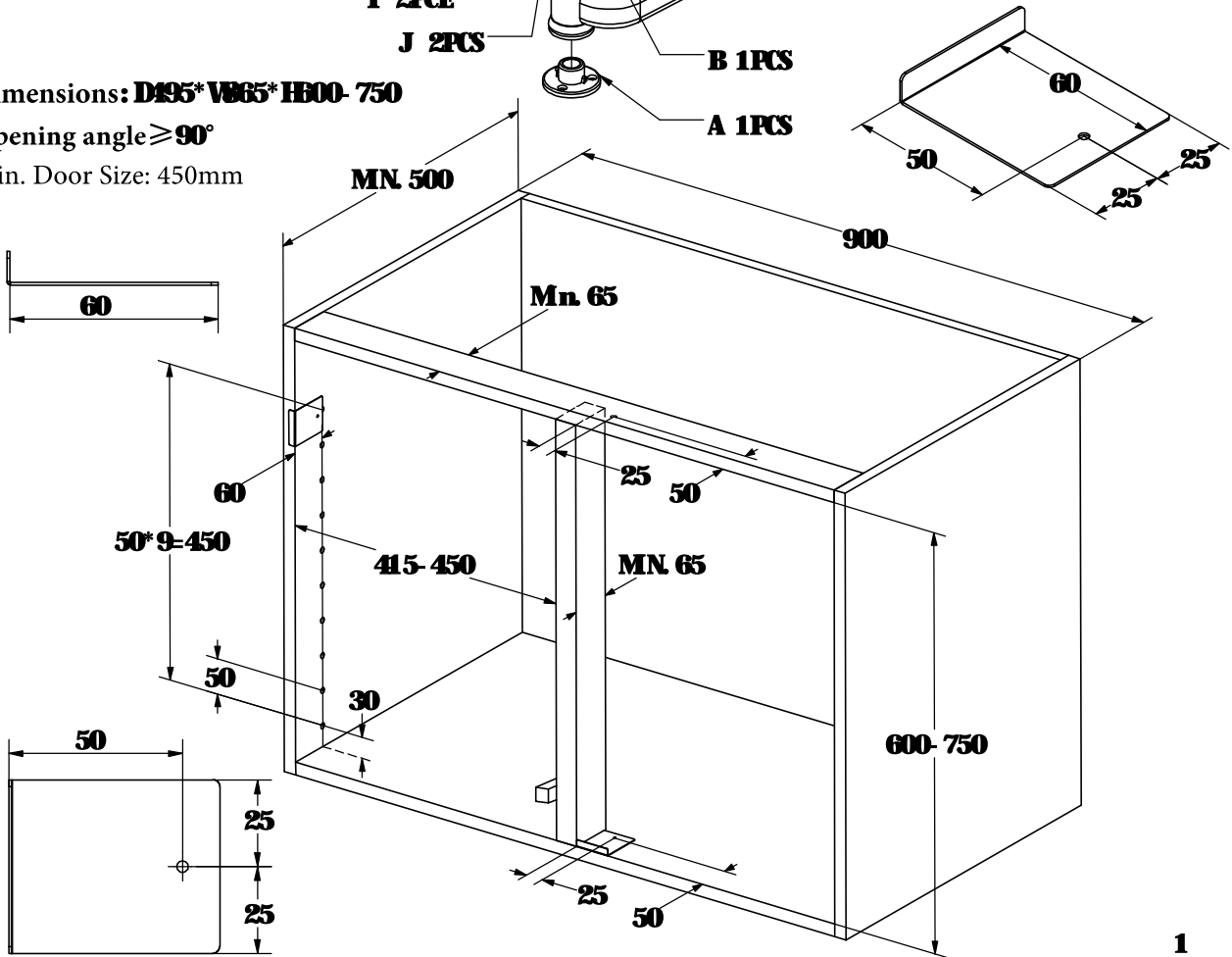
1. This set consists of:



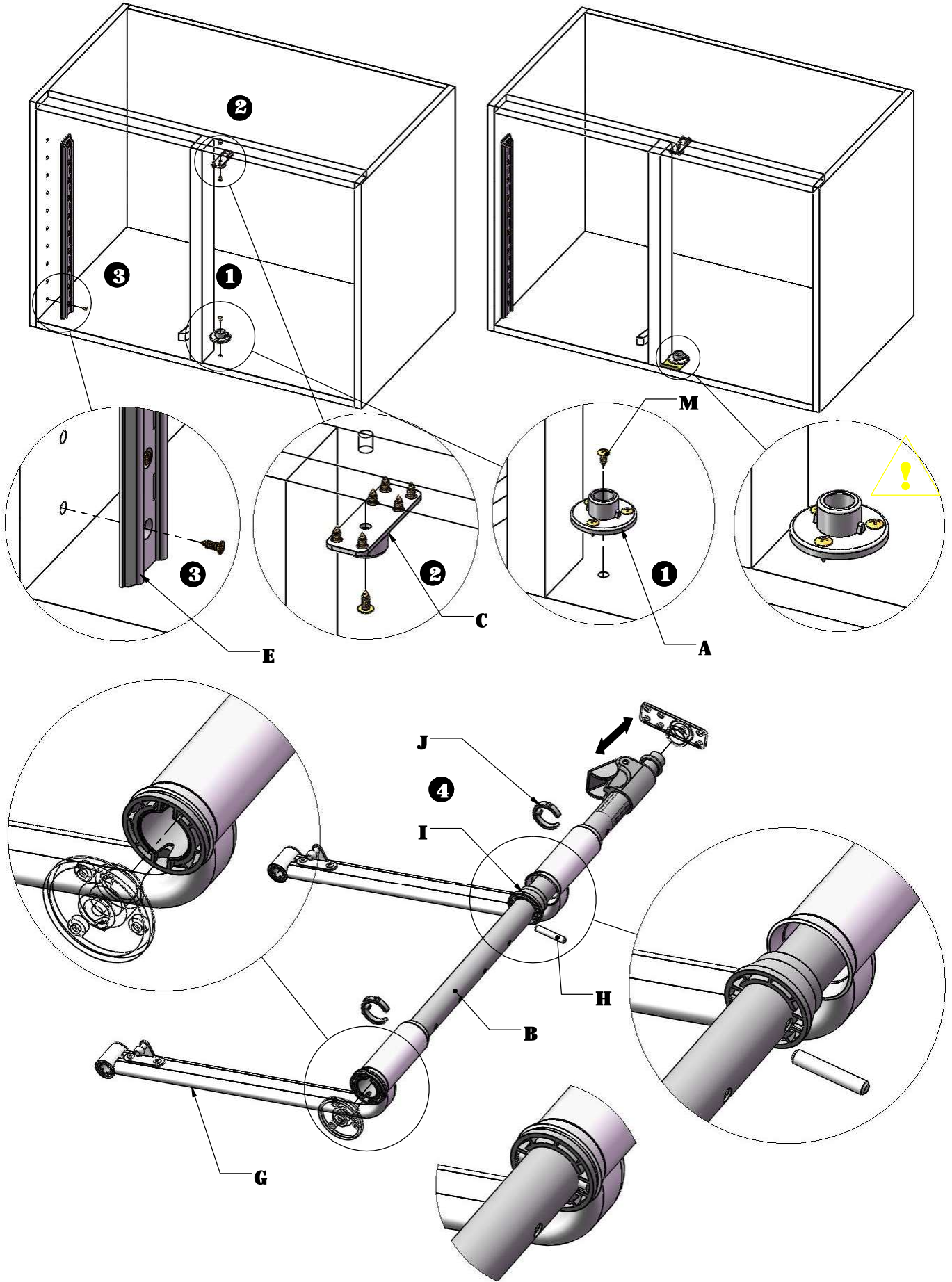
2 Dimensions: **D195\*V865\*H600-750**

Opening angle  $\geq 90^\circ$

Min. Door Size: 450mm



# WCU073-900L/R Installation Guide



# WCU073-900L/R Installation Guide

