

# PIVOT-PRO

## C80 Series Snap-on Cam-adjustable Angled Hinges



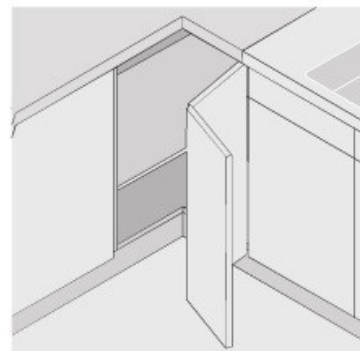
### PRODUCT



### DESCRIPTION

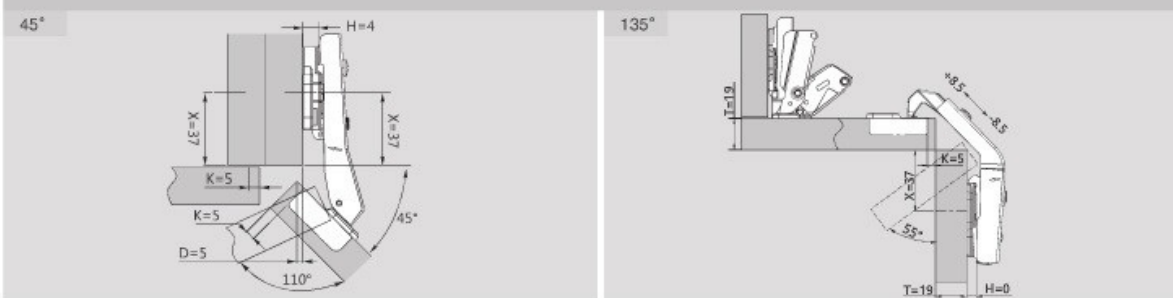
- Opening angle: 55°
- Depth of hinge cup: 11.5mm
- Diameter of hinge cup: 35mm
- Range of door thickness: 14-26mm
- Possible drilling distances on the door(K): 3-7 mm

### APPLICATION

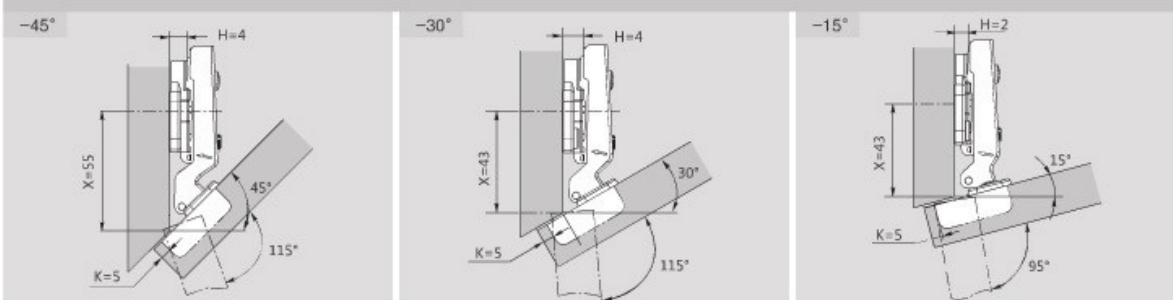


### Φ 35MM CORNER DOOR, BI-FOLD DOOR, -45°~45° ANGLED HINGE APPLICATIONS

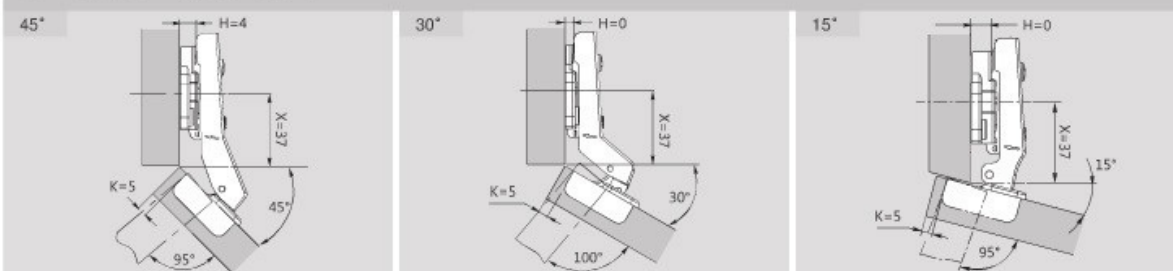
#### Kitchen corner door applications



#### Negative angled hinge applications



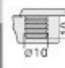
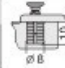




#### Positive angled hinge applications

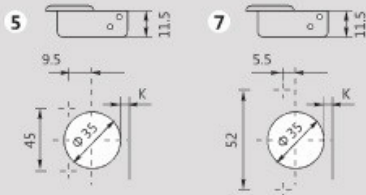


## ORDER INFORMATION

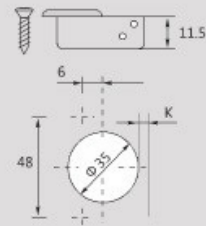


### Options of screws and dowels:

 M10 dowel Dowel No: M	 Expandable dowel Dowel No: K
 M8 dowel Dowel No: N	 Expandable dowel Dowel No: K0
 Euro screw Dowel No: B	 Quick dowel Dowel No: T0



The solution of assembly problems where doors are mounted at a positive or negative angle requires the verification of drilling distances by a practical trial. Please do not hesitate to consult our technical support department for assistance.



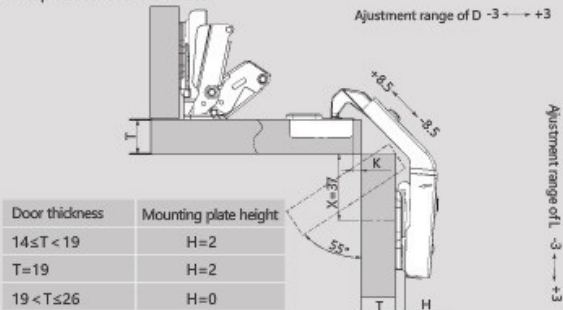
Nickel plated(A01)

### C80 Series snap-on cam-adjustable angled hinges

135°



T=Door thickness D=Required door overlay H=Height of the mounting plate  
X=Distance from bottom plate screw hole to plate edge K=Drilling distance  
L=Gap between door and carcass



Door thickness	Mounting plate height
14 ≤ T < 19	H=2
T=19	H=2
19 < T ≤ 26	H=0

	Item No.	Pcs/ctn
Sprung	<b>C80H676</b>	200