

**Lek**



**LIFETIME  
WARRANTY**

**DTC** MAGIC STAR ULTRA  
Global Quality Benchmark  
**Slimline Drawer System**



SLIMLINE | ECONOMICAL | LIFETIME WARRANTY



**LIFETIME  
WARRANTY**

**Magic Star Ultra combines timeless aesthetics with exceptional functionality and performance.**

Elevate any living or office space with the Magic Star Ultra Slimline Drawer System. A budget-friendly drawer system that doesn't compromise on capability or appearance.

There is a choice of two colours, white and black, and four different drawer side heights: 88mm/126mm/174mm/238mm. Designed to complement a variety of aesthetics, it seamlessly fits into kitchens, bedrooms, living rooms, and bathrooms.

This durable drawer system comes with a load capacity of 40kg and 3D adjustment to provide a more perfect fit. The drawer construction assures stability and smooth motion.

The Magic Star Ultra Slimline Drawer System enhances household functionality, efficiency, and overall satisfaction.



# CONTENT

Soft Close Drawers	6
Soft Close Inner Drawers	16
Assembly and Adjustments	26
Accessories	32
References	34



# Soft Close Drawers

**Concealed Full Extension**

**Tool Free Assembly** and removal of drawer

**Silent System** guarantees smooth run without noise

**Load Capacity** 40kg

**3D Adjustment**

## Low Drawer

M Height - 88mm

Concealed Full Extension  
 Silent system, smooth & noise-free  
 Load Capacity: 40kg  
 Finish: Silk White or Black

**3D Adjustment:**  
 Up & down adjustment:  $\pm 2\text{mm}$   
 Left & right adjustment:  $\pm 1.2\text{mm}$   
 Tilt adjustment:  $+0.5\text{mm}$ ,  $-3.5\text{mm}$



### 1 SOFT CLOSE DRAWER KIT

DEPTH, MM	SILK WHITE	BLACK
270	DU1-088270	DU2-088270
350	DU1-088350	DU2-088350
400	DU1-088400	DU2-088400
450	DU1-088450	DU2-088450
500	DU1-088500	DU2-088500
550	DU1-088550	DU2-088550


### 2 KIT CONTENT

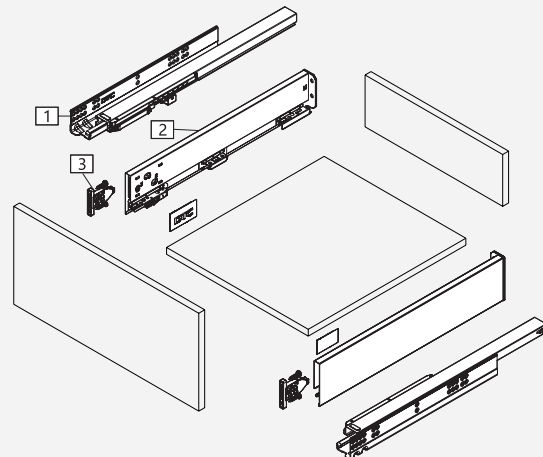
- 1  1 set **Soft Closing Slides**  
(left / right)

---

- 2  1 set **Drawer Sides and Cover Caps**  
(left / right)

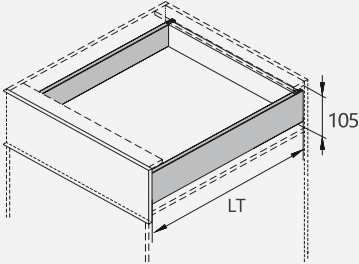
---

- 3  1 set **Front Fixing Brackets**  
(left / right)



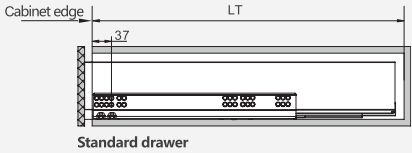
### SPACE REQUIREMENT

LT = Internal Cabinet Depth  
 LT = NL + 3



### PLANNING

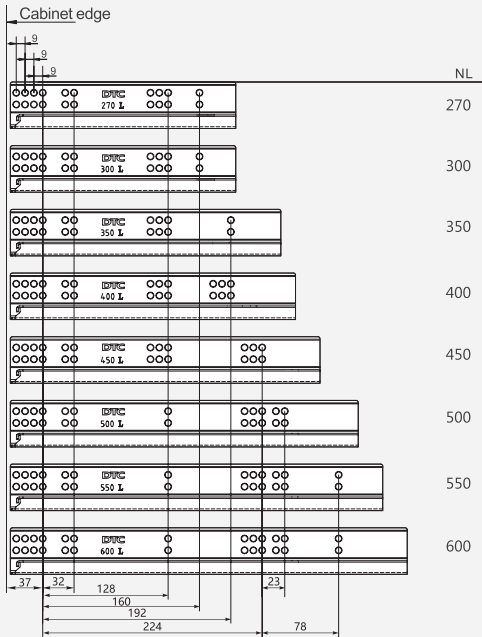
NL - Nominal Slide Length  
 LT - Internal Cabinet Depth  
 LT = NL + 3



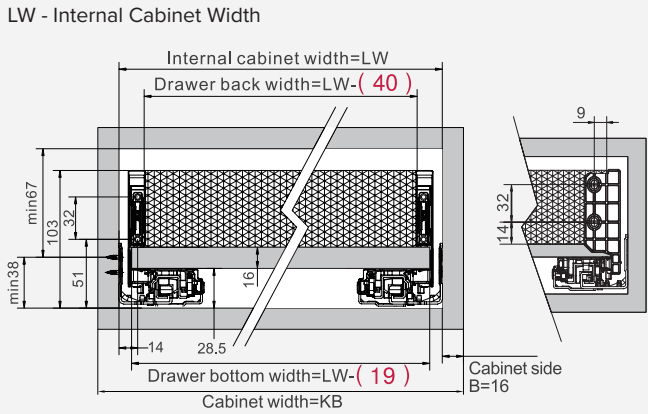
### CABINET WIDTHS (MM)

300, 350, 400, 450, 500, 600,  
 800, 900, 1000, 1200

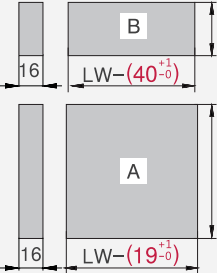
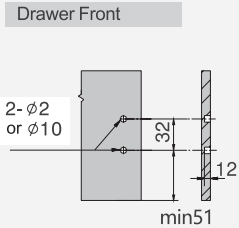
### SCREW POSITIONS (MM)



### INSTALLATION DIMENSIONS (MM)



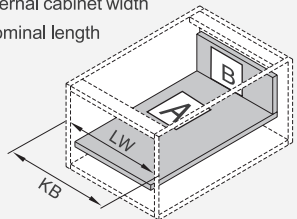
### DRAWER FRONT, BACK AND BOTTOM DIMENSIONS (MM)



**Back**  
 58 mm

**Bottom**  
 NL-(13) mm

KB Cabinet width  
 LW Internal cabinet width  
 NL Nominal length



# Medium Drawer

**K Height - 126mm**

**Concealed Full Extension**  
**Silent system, smooth & noise-free**  
**Load Capacity: 40kg**  
**Finish: Silk White or Black**

**3D Adjustment:**  
 Up & down adjustment:  $\pm 2\text{mm}$   
 Left & right adjustment:  $\pm 1.2\text{mm}$   
 Tilt adjustment:  $+0.5\text{mm}$ ,  $-3.5\text{mm}$



## 1 SOFT CLOSE DRAWER KIT

DEPTH, MM	SILK WHITE	BLACK
270	DU1-126270	DU2-126270
350	DU1-126350	DU2-126350
400	DU1-126400	DU2-126400
450	DU1-126450	DU2-126450
500	DU1-126500	DU2-126500
550	DU1-126550	DU2-126550


## 2 KIT CONTENT

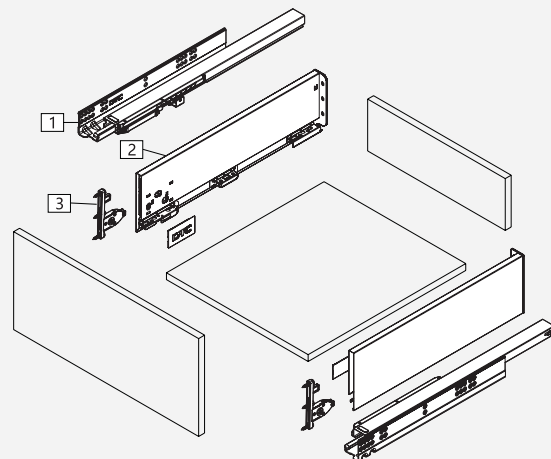
- 1  1 set **Soft Closing Slides**  
(left / right)

---

- 2  1 set **Drawer Sides and Cover Caps**  
(left / right)

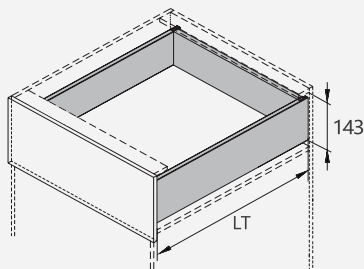
---

- 3  1 set **Front Fixing Brackets**  
(left / right)



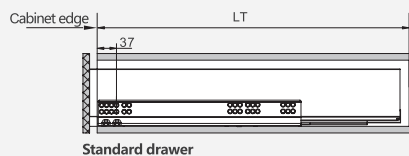
## SPACE REQUIREMENT

LT = Internal Cabinet Depth  
 LT = NL + 3



## PLANNING

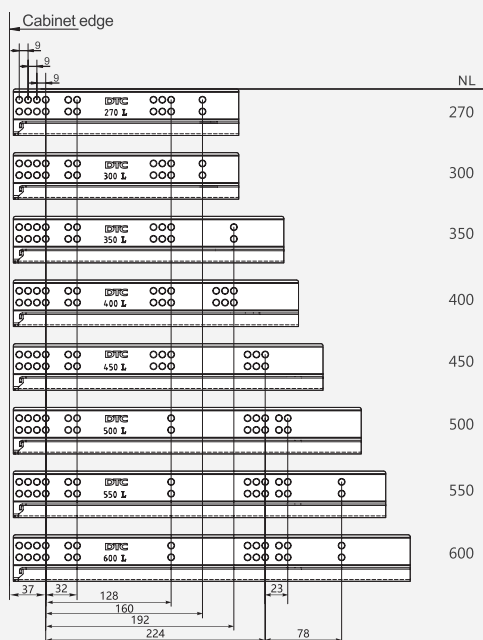
NL - Nominal Slide Length  
 LT - Internal Cabinet Depth  
 LT = NL + 3



## CABINET WIDTHS (MM)

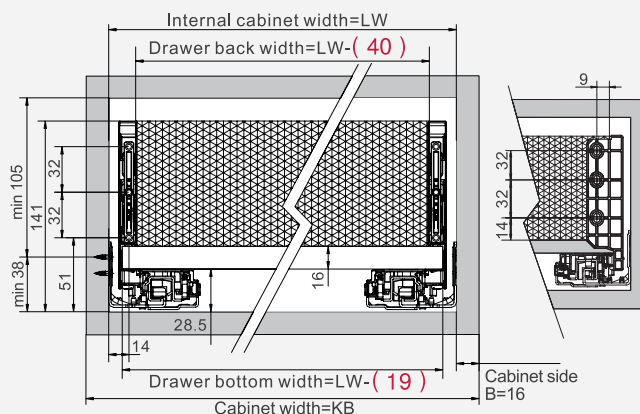
300, 350, 400, 450, 500, 600,  
 800, 900, 1000, 1200

## SCREW POSITIONS (MM)



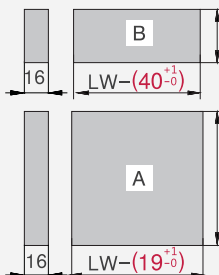
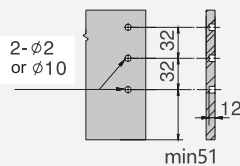
## INSTALLATION DIMENSIONS (MM)

LW - Internal Cabinet Width



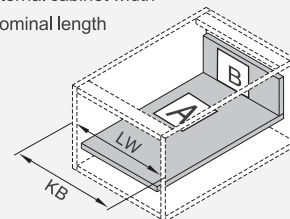
## DRAWER FRONT, BACK AND BOTTOM DIMENSIONS (MM)

Drawer front



Back  
 96 mm  
 LW - Internal cabinet width  
 NL - Nominal length

Bottom  
 NL - (13) mm



# High Drawer

## C Height - 174mm



**Concealed Full Extension**  
**Silent system, smooth & noise-free**  
**Load Capacity: 40kg**  
**Finish: Silk White or Black**


**3D Adjustment:**  
 Up & down adjustment:  $\pm 2\text{mm}$   
 Left & right adjustment:  $\pm 1.2\text{mm}$   
 Tilt adjustment:  $+0.5\text{mm}$ ,  $-3.5\text{mm}$



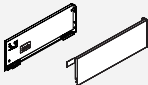
### 1 SOFT CLOSE DRAWER KIT

DEPTH, MM	SILK WHITE	BLACK
270	DU1-174270	DU2-174270
350	DU1-174350	DU2-174350
400	DU1-174400	DU2-174400
450	DU1-174450	DU2-174450
500	DU1-174500	DU2-174500
550	DU1-174550	DU2-174550


### 2 KIT CONTENT

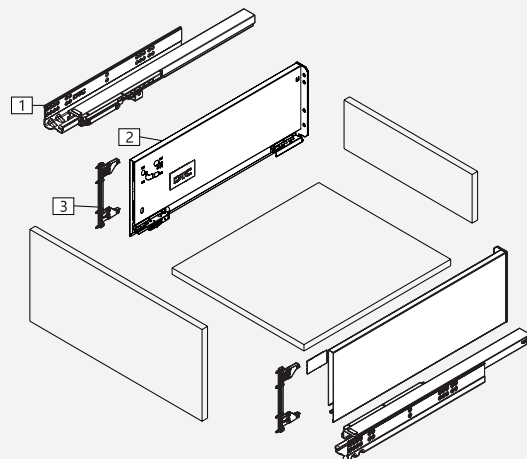
- 1  1 set **Soft Closing Slides**  
(left / right)

---

- 2  1 set **Drawer Sides and Cover Caps**  
(left / right)

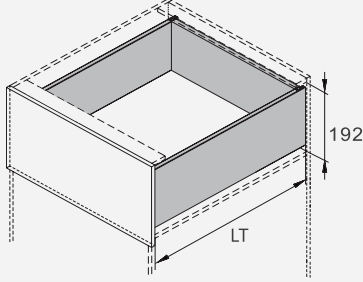
---

- 3  1 set **Front Fixing Brackets**  
(left / right)



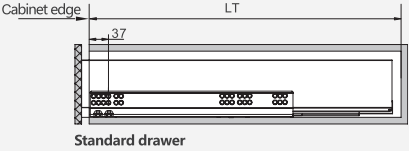
### SPACE REQUIREMENT

LT = Internal Cabinet Depth  
 LT = NL + 3



### PLANNING

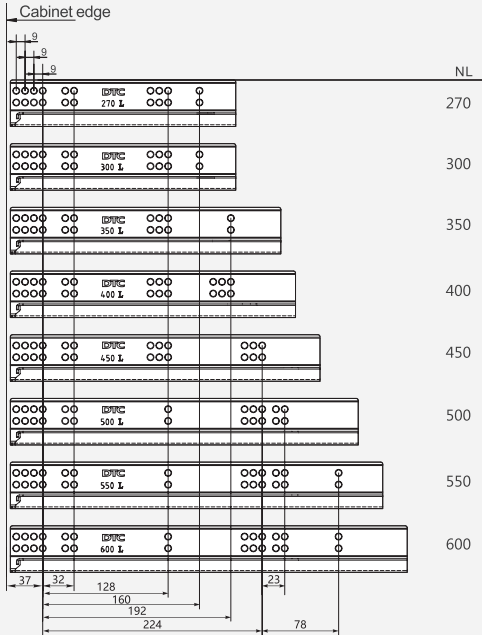
NL - Nominal Slide Length  
 LT - Internal Cabinet Depth  
 LT = NL + 3



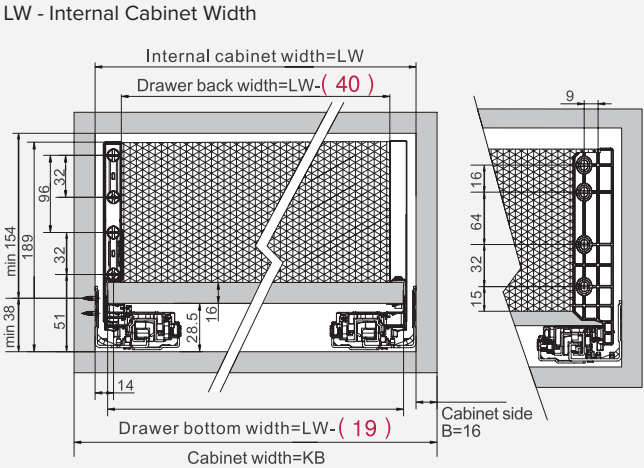
### CABINET WIDTHS (MM)

300, 350, 400, 450, 500, 600,  
 800, 900, 1000, 1200

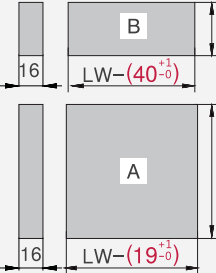
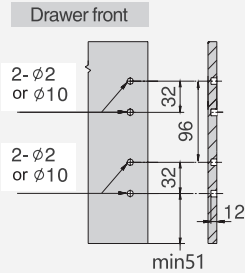
### SCREW POSITIONS (MM)



### INSTALLATION DIMENSIONS (MM)



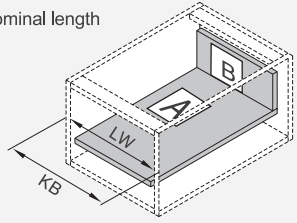
### DRAWER FRONT, BACK AND BOTTOM DIMENSIONS (MM)



**Back**  
 144mm

**Bottom**  
 NL-(13) mm

KB Cabinet width  
 LW Internal cabinet width  
 NL Nominal length



# Super High Drawer

F Height - 238mm

**Concealed Full Extension**  
**Silent system, smooth & noise-free**  
**Load Capacity: 40kg**  
**Finish: Silk White or Black**


**3D Adjustment:**  
 Up & down adjustment:  $\pm 2\text{mm}$   
 Left & right adjustment:  $\pm 1.2\text{mm}$   
 Tilt adjustment:  $+0.5\text{mm}$ ,  $-3.5\text{mm}$



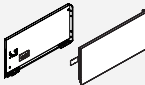
## 1 SOFT CLOSE DRAWER KIT

DEPTH, MM	SILK WHITE	BLACK
270	DU1-238270	DU2-238270
350	DU1-238350	DU2-238350
400	DU1-238400	DU2-238400
450	DU1-238450	DU2-238450
500	DU1-238500	DU2-238500
550	DU1-238550	DU2-238550


## 2 KIT CONTENT

- 1  1 set **Soft Closing Slides**  
(left / right)


---

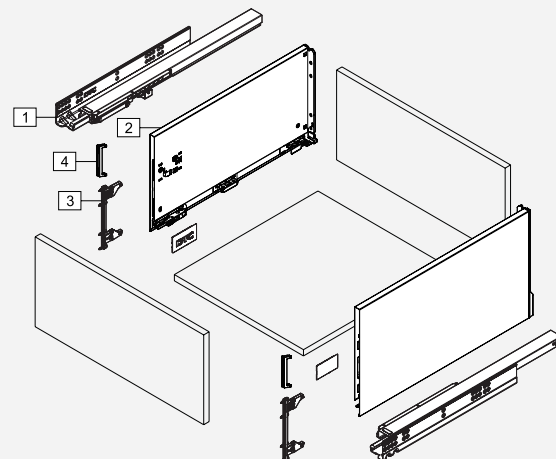
- 2  1 set **Drawer Sides and Cover Caps**  
(left / right)

---

- 3  1 set **Front Fixing Brackets**  
(left / right)

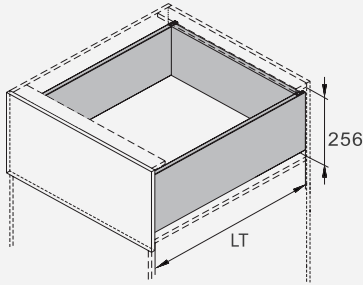
---

- 4  1 set **Front Fixing Brackets**  
(left / right)



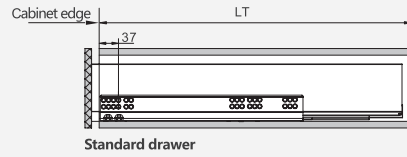
## SPACE REQUIREMENT

LT = Internal Cabinet Depth  
 LT = NL + 3



## PLANNING

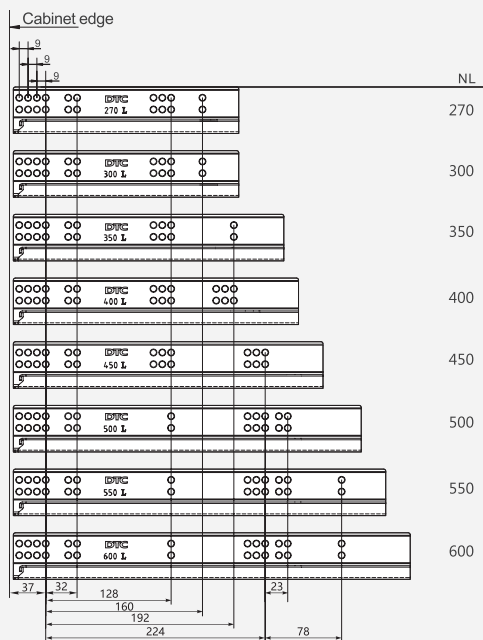
NL - Nominal Slide Length  
 LT - Internal Cabinet Depth  
 LT = NL + 3



## CABINET WIDTHS (MM)

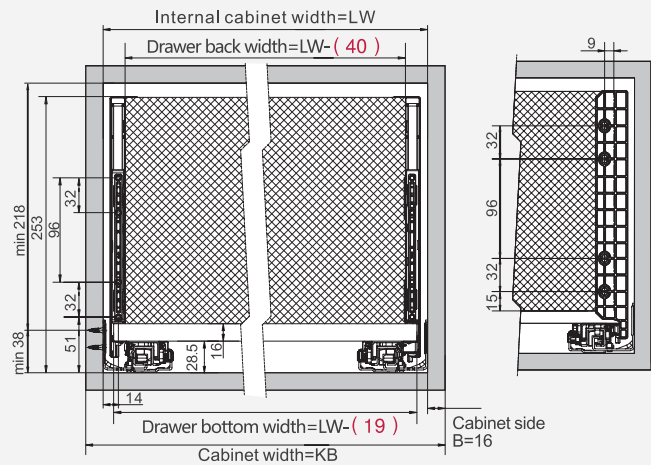
300, 350, 400, 450, 500, 600,  
 800, 900, 1000, 1200

## SCREW POSITIONS (MM)

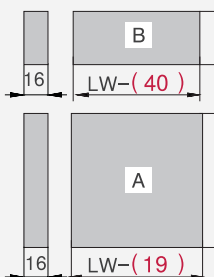
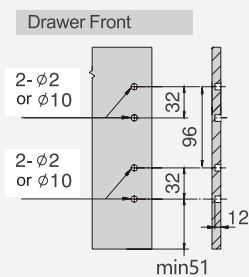


## INSTALLATION DIMENSIONS (MM)

LW - Internal Cabinet Width



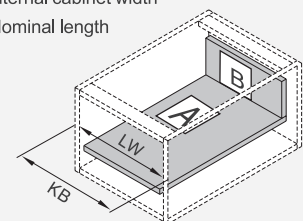
## DRAWER FRONT, BACK AND BOTTOM DIMENSIONS (MM)



Back  
 208mm

KB Cabinet width  
 LW Internal cabinet width  
 NL Nominal length

Bottom  
 NL-(13) mm





# Soft Close Inner Drawers

**Concealed Full Extension**

**Tool Free Assembly** and removal of drawer

**Silent System** guarantees smooth run without noise

**Load Capacity** 40kg

**3D Adjustment**

## Low Inner Drawer

### M Height - 88mm



**Concealed Full Extension**  
**Silent system, smooth & noise-free**  
**Load Capacity: 40kg**  
**Finish: Silk White or Black**

**3D Adjustment:**  
 Up & down adjustment:  $\pm 2\text{mm}$   
 Left & right adjustment:  $\pm 1.2\text{mm}$   
 Tilt adjustment:  $+0.5\text{mm}$ ,  $-3.5\text{mm}$



## 1 ADD-ON COMPONENTS ORDER

Order M Height Soft Close Drawer Kit (See page 6) +  
 Front Panel Components to make the Inner Drawer

DESCRIPTION	SILK WHITE	BLACK
Front Fixing Brackets	DS1-088IFXW	DS2-088IFXB
1100mm Front Panel	DM1-IP1100W	DM5-IP1100B

## 2 REQUIRED COMPONENTS TO MAKE INNER SYSTEM

- 1

1 set **M Height Drawer Kit**  
 (Silk White / Black)  
 See page 6

---

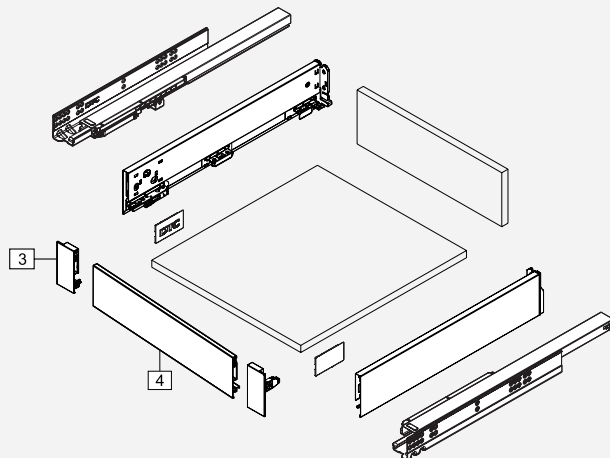
- 3

1 set **Front Fixing Brackets** (left / right)  
 Replace these brackets over kit version

---

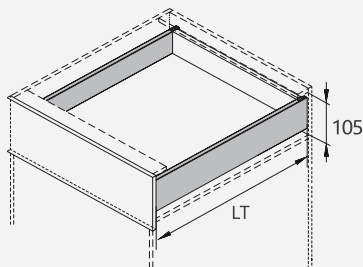
- 4

1 pc **1100mm Front Panel**  
 Cutting: Internal cabinet width  
 LW-97mm



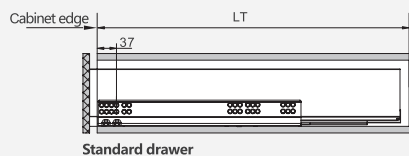
## SPACE REQUIREMENT

LT = Internal Cabinet Depth  
 LT = NL + 3



## PLANNING

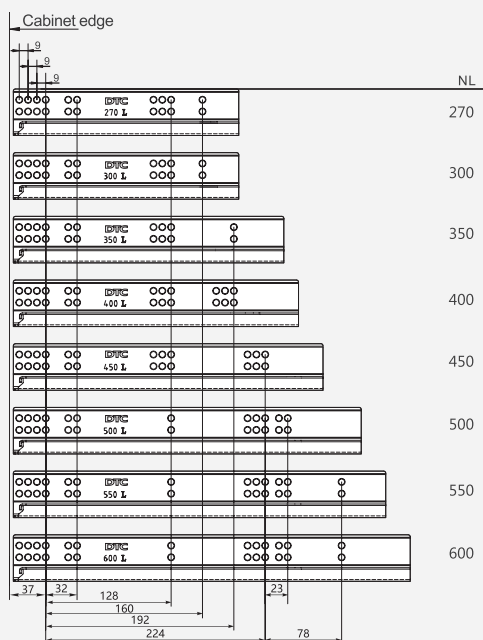
NL - Nominal Slide Length  
 LT - Internal Cabinet Depth  
 LT = NL + 3



## CABINET WIDTHS (MM)

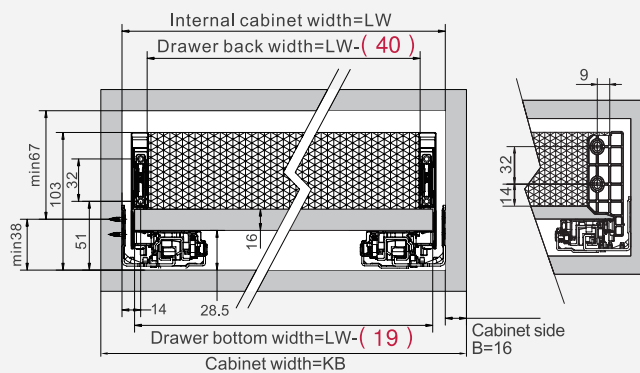
300, 350, 400, 450, 500, 600,  
 800, 900, 1000, 1200

## SCREW POSITIONS (MM)

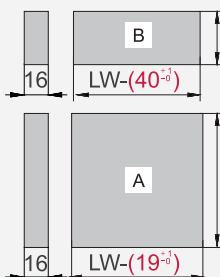
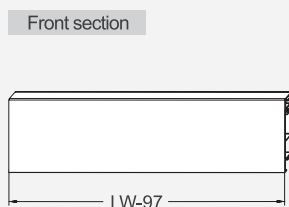


## INSTALLATION DIMENSIONS (MM)

LW - Internal Cabinet Width



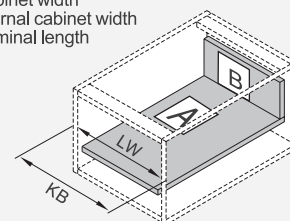
## DRAWER FRONT, BACK AND BOTTOM DIMENSIONS (MM)



Back  
 58mm

Bottom  
 NL-(13)mm

KB Cabinet width  
 LW Internal cabinet width  
 NL Nominal length



## Medium Inner Drawer

**K Height - 126mm**

**Concealed Full Extension**

**Silent system, smooth & noise-free**

**Load Capacity: 40kg**

**Finish: Silk White or Black**

**3D Adjustment:**

Up & down adjustment:  $\pm 2\text{mm}$

Left & right adjustment:  $\pm 1.2\text{mm}$

Tilt adjustment:  $+0.5\text{mm}$ ,  $-3.5\text{mm}$



### 1


#### ADD-ON COMPONENTS ORDER

Order K Height Soft Close Drawer Kit (See page 8) + Front Panel Components to make the Inner Drawer

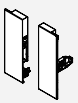
DESCRIPTION	SILK WHITE	BLACK
Front Fixing Brackets	DS1-126IFXW	DS2-126IFXB
1100mm Front Panel	DM1-IP1100W	DM5-IP1100B

### 2


#### REQUIRED COMPONENTS TO MAKE INNER SYSTEM

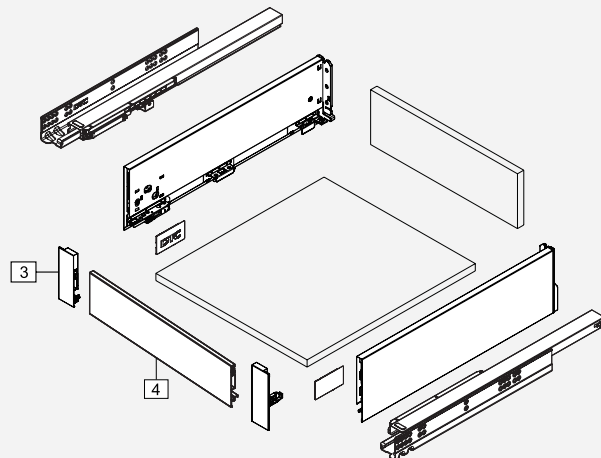
- 1**  1 set **K Height Drawer Kit**  
(Silk White / Black)  
See page 8

---

- 3**  1 set **Front Fixing Brackets** (left / right)  
Replace these brackets over kit version

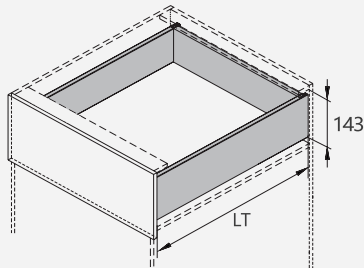
---

- 4**  1 pc **1100mm Front Panel**  
Cutting: Internal cabinet width LW-97mm



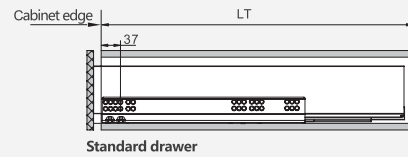
## SPACE REQUIREMENT

LT = Internal Cabinet Depth  
 LT = NL + 3



## PLANNING

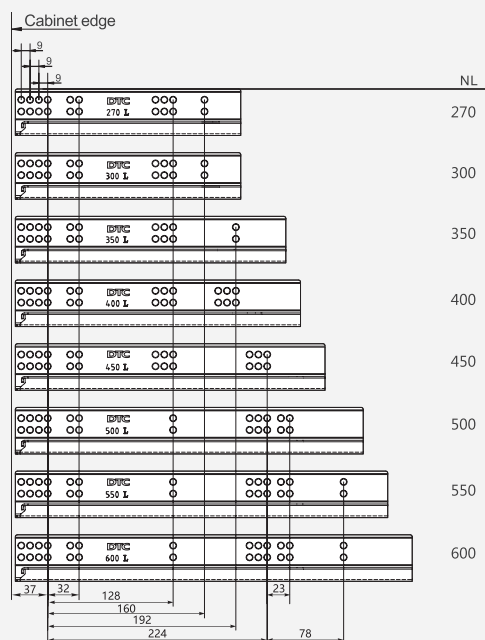
NL - Nominal Slide Length  
 LT - Internal Cabinet Depth  
 LT = NL + 3



## CABINET WIDTHS (MM)

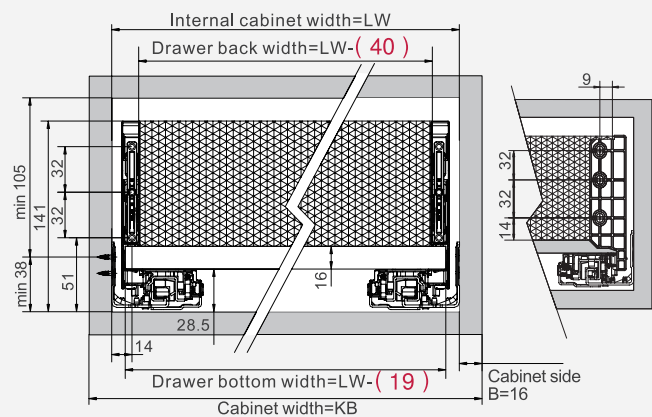
300, 350, 400, 450, 500, 600,  
 800, 900, 1000, 1200

## SCREW POSITIONS (MM)



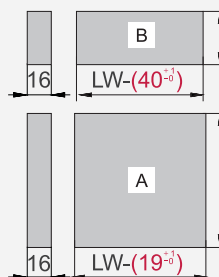
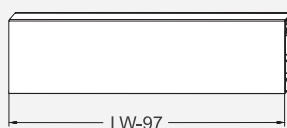
## INSTALLATION DIMENSIONS (MM)

LW - Internal Cabinet Width



## DRAWER FRONT, BACK AND BOTTOM DIMENSIONS (MM)

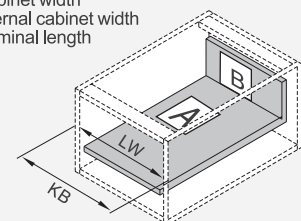
Front section



Back  
 96mm

Bottom  
 NL-(13)<sup>-3</sup>mm

KB Cabinet width  
 LW Internal cabinet width  
 NL Nominal length



# High Inner Drawer

**C Height - 174mm**

**Concealed Full Extension**

**Silent system, smooth & noise-free**

**Load Capacity: 40kg**

**Finish: Silk White or Black**

**3D Adjustment:**

Up & down adjustment:  $\pm 2\text{mm}$

Left & right adjustment:  $\pm 1.2\text{mm}$

Tilt adjustment:  $+0.5\text{mm}$ ,  $-3.5\text{mm}$




## 1 ADD-ON COMPONENTS ORDER


Order C Height Soft Close Drawer Kit (See page 10) + Front Panel Components to make the Inner Drawer

DESCRIPTION	SILK WHITE	BLACK
Front Fixing Brackets	DS1-174IFXW	DS2-174IFXB
1100mm Front Panel	DM1-IP1100W	DM5-IP1100B
Square Cross Rail	DM1-SQRAILW	DM5-SQRAILB


## 2 REQUIRED COMPONENTS TO MAKE INNER SYSTEM

- 1**  1 set **C Height Drawer Kit**  
(Silk White / Black)  
See page 10

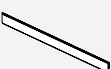
---

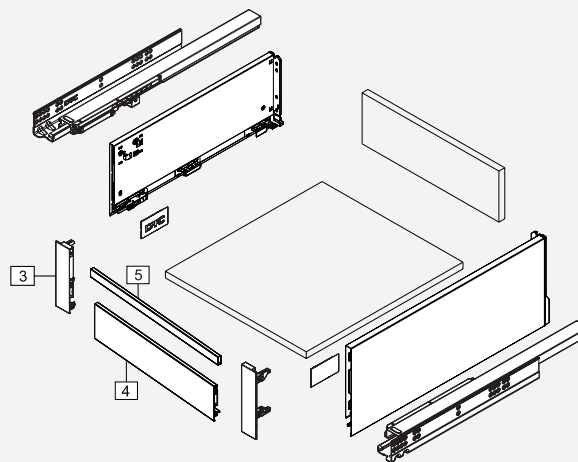
- 3**  1 set **Front Fixing Brackets** (left / right)  
Replace these brackets over kit version

---

- 4**  1 pc **1100mm Front Panel**  
Cutting: Internal cabinet width LW-97mm

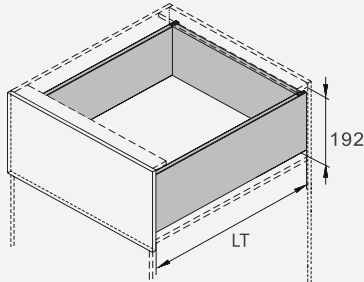
---

- 5**  1 pc **1100mm Square Cross Rail**  
Cutting: Internal cabinet width LW-72mm



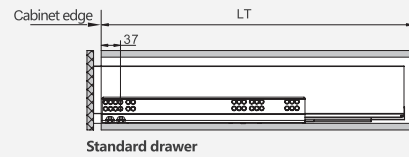
## SPACE REQUIREMENT

LT = Internal Cabinet Depth  
 LT = NL + 3



## PLANNING

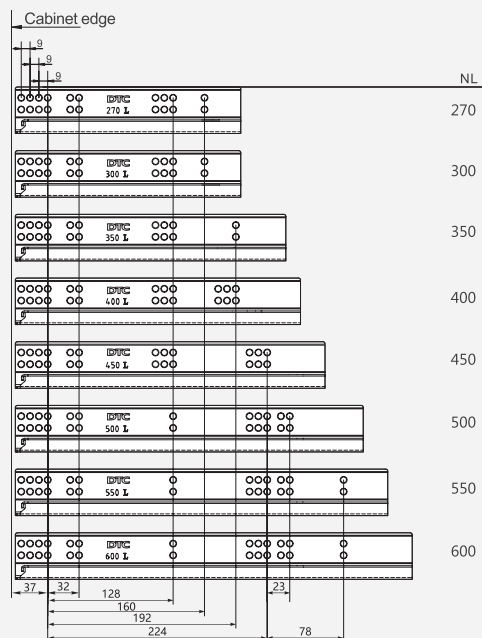
NL - Nominal Slide Length  
 LT - Internal Cabinet Depth  
 LT = NL + 3



## CABINET WIDTHS (MM)

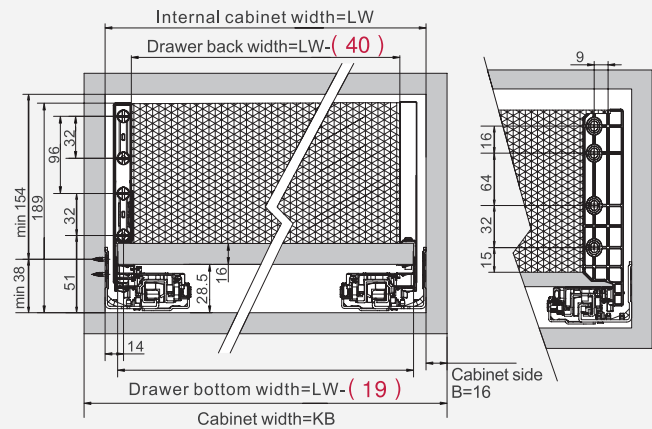
300, 350, 400, 450, 500, 600,  
 800, 900, 1000, 1200

## SCREW POSITIONS (MM)



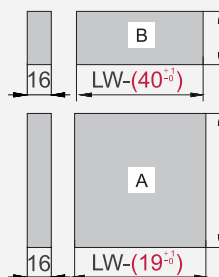
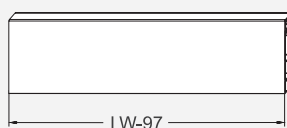
## INSTALLATION DIMENSIONS (MM)

LW - Internal Cabinet Width



## DRAWER FRONT, BACK AND BOTTOM DIMENSIONS (MM)

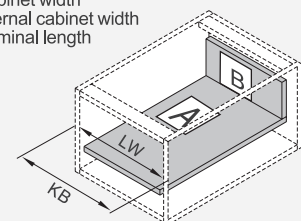
Front section



Back  
 164mm

Bottom  
 NL-(13)mm

KB Cabinet width  
 LW Internal cabinet width  
 NL Nominal length



## Super High Inner Drawer

F Height - 238mm



**Concealed Full Extension**  
**Silent system, smooth & noise-free**  
**Load Capacity: 40kg**  
**Finish: Silk White or Black**

**3D Adjustment:**  
 Up & down adjustment:  $\pm 2\text{mm}$   
 Left & right adjustment:  $\pm 1.2\text{mm}$   
 Tilt adjustment:  $+0.5\text{mm}$ ,  $-3.5\text{mm}$




### 1 ADD-ON COMPONENTS ORDER


Order F Height Soft Close Drawer Kit (See page 12) + Front Panel Components to make the Inner Drawer

DESCRIPTION	SILK WHITE	BLACK
Front Fixing Brackets	DS1-238IFXW	DS2-238IFXB
1100mm Front Panel	DM1-IP1100W	DM5-IP1100B
Square Cross Rail	DM1-SQRAILW	DM5-SQRAILB


### 2 REQUIRED COMPONENTS TO MAKE INNER SYSTEM

- 1**  1 set **F Height Drawer Kit**  
 (Silk White / Black)  
 See page 12

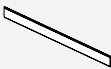
---

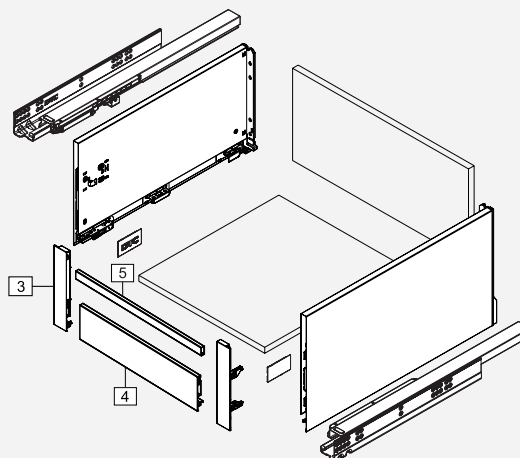
- 3**  1 set **Front Fixing Brackets** (left / right)  
 Replace these brackets over kit version

---

- 4**  1 pc **1100mm Front Panel**  
 Cutting: Internal cabinet width LW-97mm

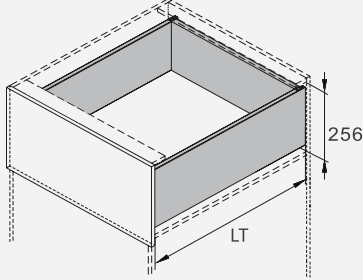
---

- 5**  1 pc **1100mm Square Cross Rail**  
 Cutting: Internal cabinet width LW-72mm



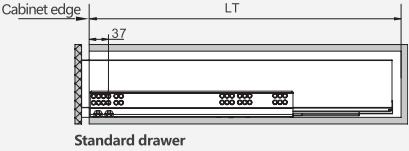
### SPACE REQUIREMENT

LT = Internal Cabinet Depth  
 LT = NL + 3



### PLANNING

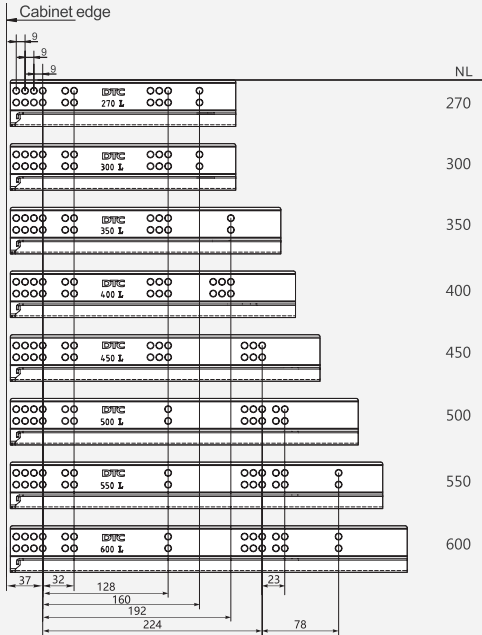
NL - Nominal Slide Length  
 LT - Internal Cabinet Depth  
 LT = NL + 3



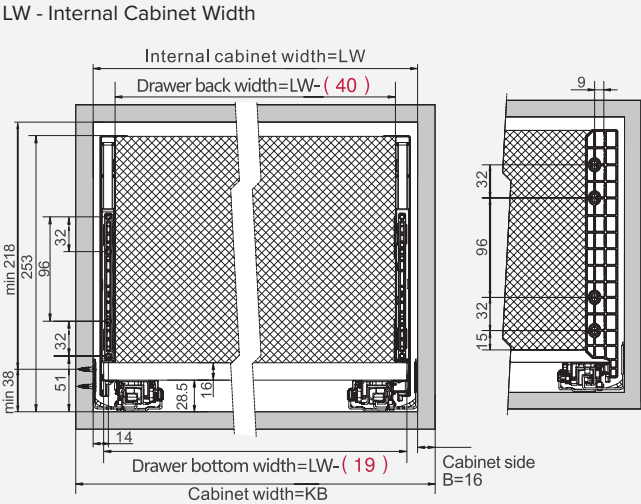
### CABINET WIDTHS (MM)

300, 350, 400, 450, 500, 600,  
 800, 900, 1000, 1200

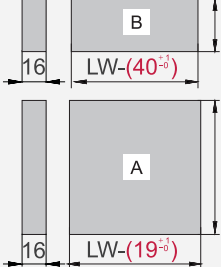
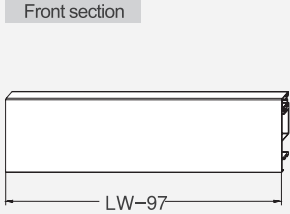
### SCREW POSITIONS (MM)



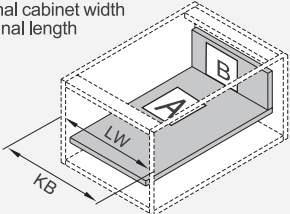
### INSTALLATION DIMENSIONS (MM)



### DRAWER FRONT, BACK AND BOTTOM DIMENSIONS (MM)



KB Cabinet width  
 LW Internal cabinet width  
 NL Nominal length

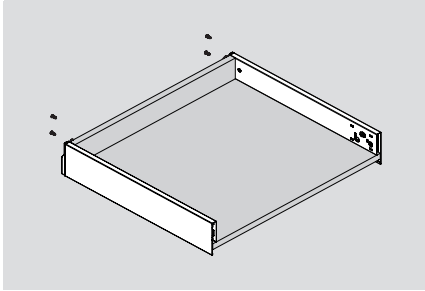




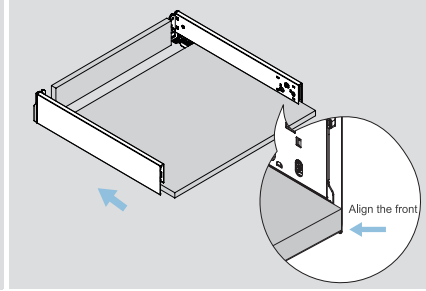
# **Assembly & Adjustments**

## Assembly and Adjustments

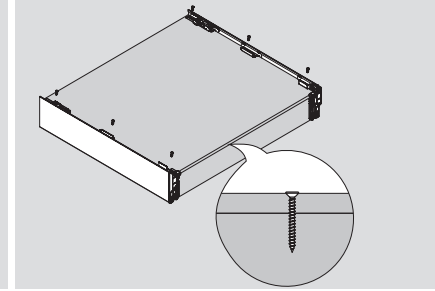
### DRAWER ASSEMBLY



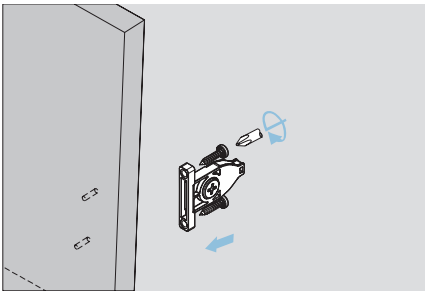
Back assembly



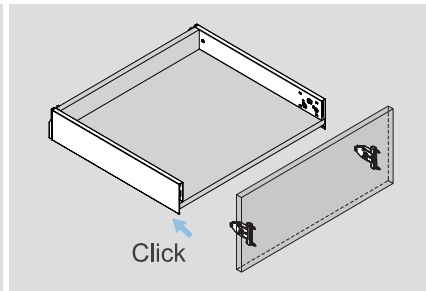
Bottom assembly



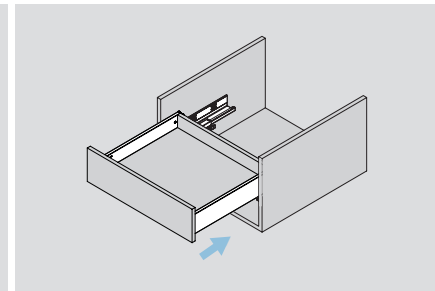
Fix screws



Front assembly

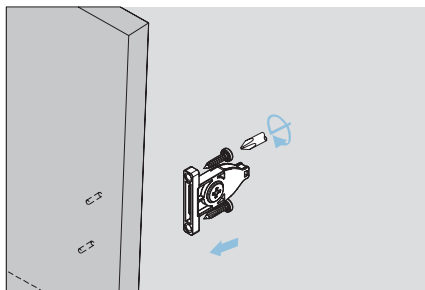


Click

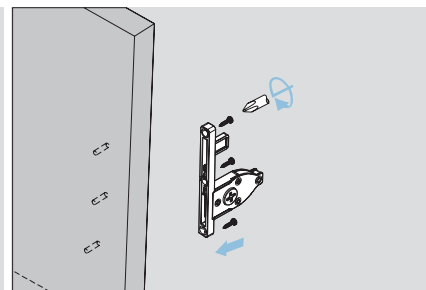


Slide into the cabinet

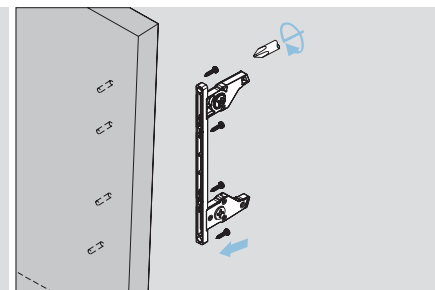
### FRONT FIXING BRACKETS ASSEMBLY



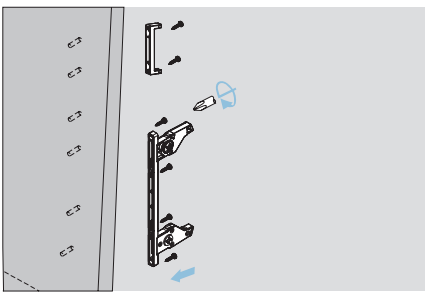
M Height front assembly



K Height front assembly

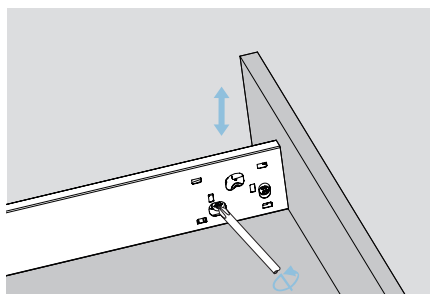


C Height front assembly

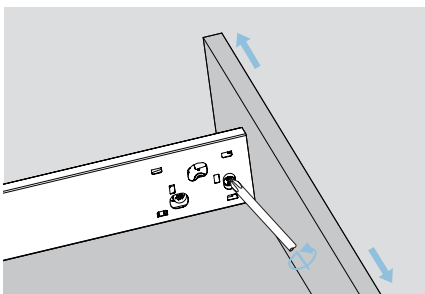


F Height front assembly

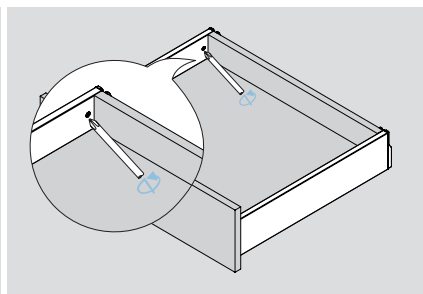
## ADJUSTMENTS FOR LOW / MEDIUM DRAWER (M / K HEIGHT)



Height adjustment

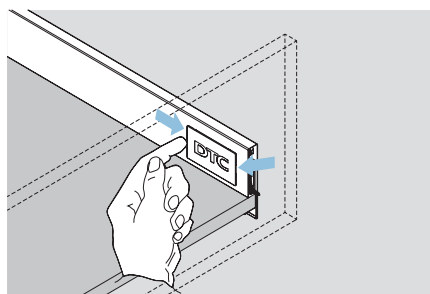


Side adjustment

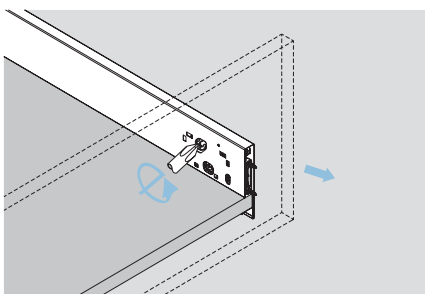


Tilt adjustment

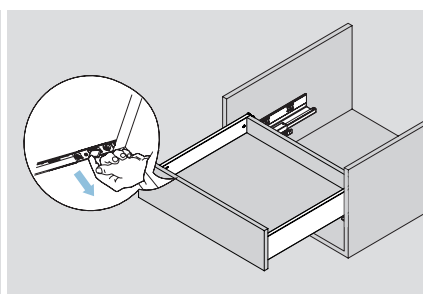
## REMOVAL FOR LOW / MEDIUM DRAWER (M / K HEIGHT)



Tip up the cover and pull out

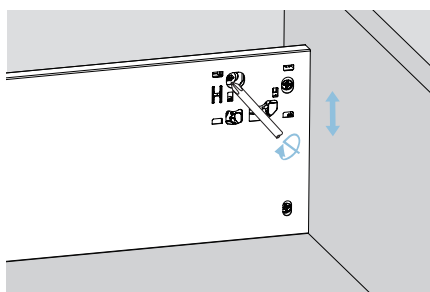


Turn screw driver to release the drawer front

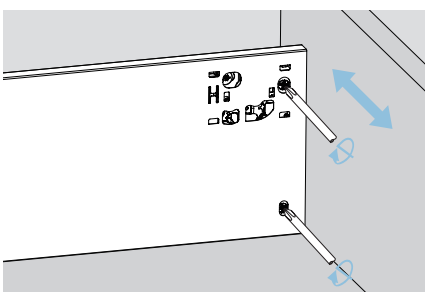


Press the locking device under drawer bottom and pull out the drawer

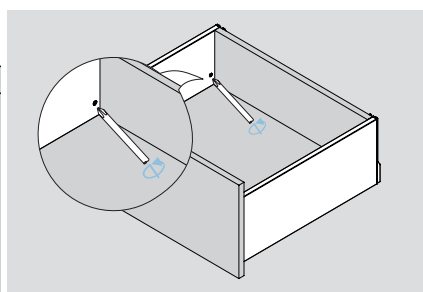
## ADJUSTMENTS FOR HIGH / SUPER HIGH DRAWER (C / F HEIGHT)



Height adjustment

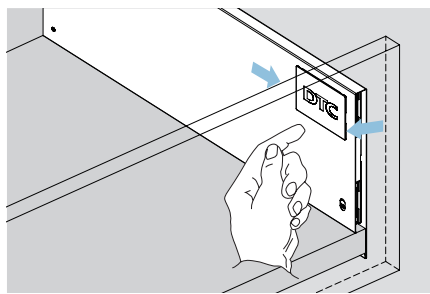


Side adjustment

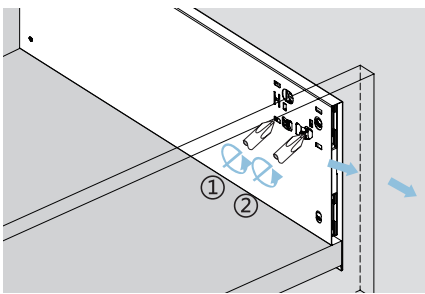


Tilt adjustment

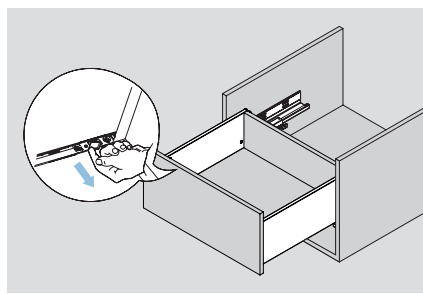
## REMOVAL FOR HIGH / SUPER HIGH DRAWER (C / F HEIGHT)



Tip up the cover and pull out



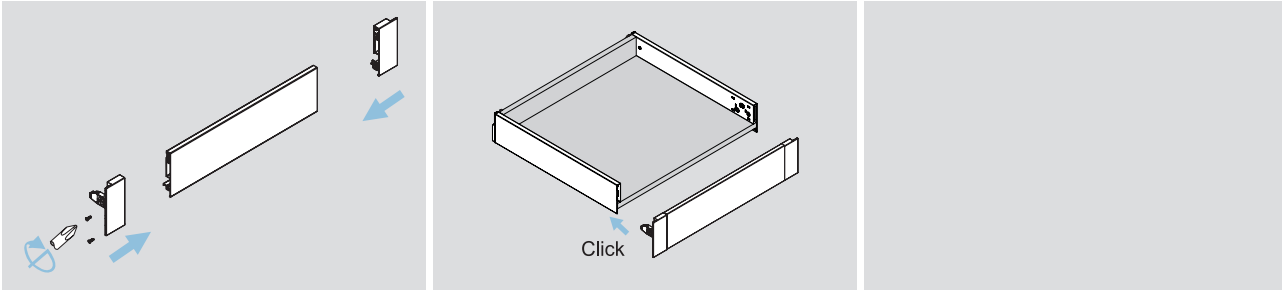
Turn screw driver to release the drawer front



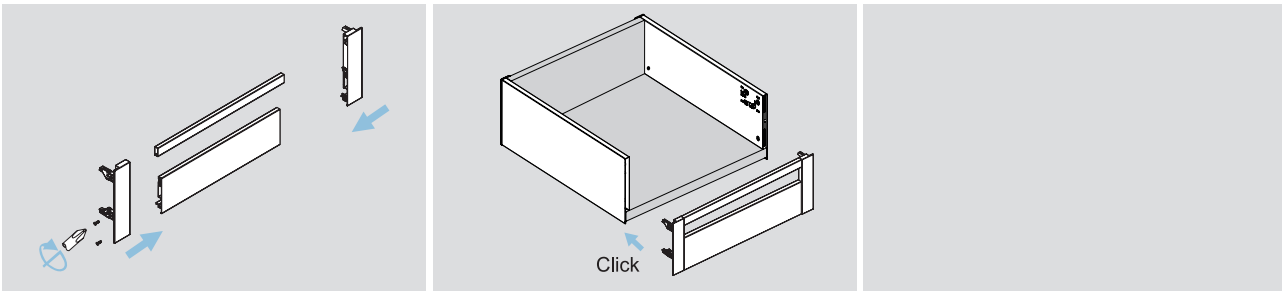
Press the locking device under drawer bottom and pull out the drawer

## Assembly and Adjustments

### LOW / MEDIUM INNER DRAWER FRONT ASSEMBLY



### HIGH / SUPER HIGH INNER DRAWER FRONT ASSEMBLY (SQUARE CROSS RAIL)







# Accessories

## Accessories

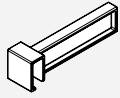
### Dividing Accessories

#### ORDER INFORMATION

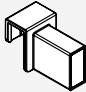
DESCRIPTION	WHITE	BLACK
Drawer Divider	DM1-DIVIDER	DM5-DIVIDER
Square Cross Rail Connector	DM1-SQCONW	DM5-SQCONB
1100mm Square Cross Rail	DM1-SQRAILW	DM5-SQRAILB

#### Dividing Components

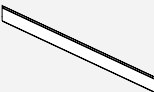
- 1



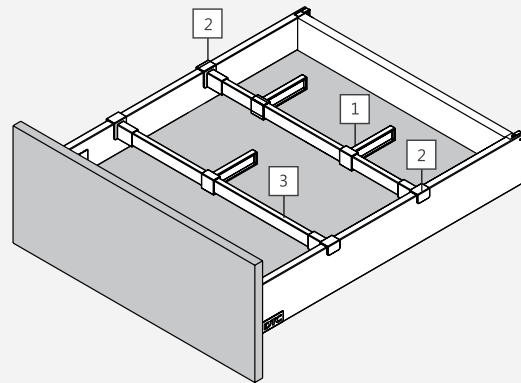
1 pc **Drawer Divider**
- 2



1 pc **Square Cross Rail Connector**
- 3



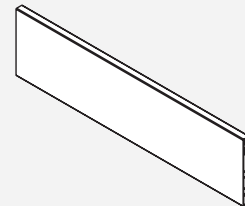
1 pc **1100mm Square Cross Rail**  
Cutting: Internal cabinet width LW-72



## Drawer Panel

#### ORDER INFORMATION

ITEM NUMBER	DESCRIPTION	COLOUR
DM1-IP1100W	1100mm Front Inner Drawer Panel	White
DM5-IP1100B	1100mm Front Inner Drawer Panel	Black



## U-Shape Drawer Bracket for Under Sink Drawers

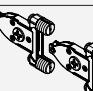

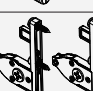



#### ORDER INFORMATION

ITEM NUMBER	DESCRIPTION
DM1-UDBV	White U-Shape Drawer Bracket



## Front Fixing Brackets

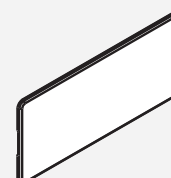
### ORDER INFORMATION

ITEM NUMBER	DESCRIPTION	COLOUR	HEIGHT	
DS1-088IFXW	Front Fix Brackets Inner Drawer	White	88mm	
DS2-088IFXB	Front Fix Brackets Inner Drawer	Black	88mm	
DS1-126IFXW	Front Fix Brackets Inner Drawer	White	126mm	
DS2-126IFXB	Front Fix Brackets Inner Drawer	Black	126mm	
DS1-174IFXW	Front Fix Brackets Inner Drawer	White	174mm	
DS2-174IFXB	Front Fix Brackets Inner Drawer	Black	174mm	
DS1-238IFXW	Front Fix Brackets Inner Drawer	White	238mm	
DS2-238IFXB	Front Fix Brackets Inner Drawer	Black	238mm	
DSA-088IFXD	Front Fixing Brackets - Exp-Dowel	-	88mm	
DSA-088IFXS	Front Fixing Brackets - Screw-On	-	88mm	
DSA-126IFXD	Front Fixing Brackets - Exp-Dowel	-	126mm	
DSA-126IFXS	Front Fixing Brackets - Screw-On	-	126mm	
DSA-174IFXD	Front Fixing Brackets - Exp-Dowel	-	174 / 238mm	
DSA-174IFXS	Front Fixing Brackets - Screw-On	-	174 / 238mm	

## Cover Cap Set

### ORDER INFORMATION

ITEM NUMBER	DESCRIPTION	COLOUR
DS1-NLCAP	Drawer Cover Cap Set with NO Logo	White
DS2-NLCAP	Drawer Cover Cap Set with NO Logo	Black



	HEIGHT	LOAD	DEPTH	WHITE	BLACK	OTHER	
<b>SOFT CLOSE DRAWERS</b>	M - 88mm	40kg	270	DS1-088270	DS2-088270	-	
			350	DS1-088350	DS2-088350	-	
			400	DS1-088400	DS2-088400	-	
			450	DS1-088450	DS2-088450	-	
			500	DS1-088500	DS2-088500	-	
			550	DS1-088550	DS2-088550	-	
	K - 126mm	40kg	270	DS1-126270	DS2-126270	-	
			350	DS1-126350	DS2-126350	-	
			400	DS1-126400	DS2-126400	-	
			450	DS1-126450	DS2-126450	-	
			500	DS1-126500	DS2-126500	-	
			550	DS1-126550	DS2-126550	-	
	C - 174mm	40kg	270	DS1-174270	DS2-174270	-	
			350	DS1-174350	DS2-174350	-	
			400	DS1-174400	DS2-174400	-	
			450	DS1-174450	DS2-174450	-	
			500	DS1-174500	DS2-174500	-	
			550	DS1-174550	DS2-174550	-	
	F - 238mm	40kg	270	DS1-238270	DS2-238270	-	
			350	DS1-238350	DS2-238350	-	
			400	DS1-238400	DS2-238400	-	
			450	DS1-238450	DS2-238450	-	
			500	DS1-238500	DS2-238500	-	
			550	DS1-238550	DS2-238550	-	
<b>SOFT CLOSE INNER DRAWERS</b>	M - 88mm	40kg	Front Fixing Brackets	DS1-088IFXW	DS2-088IFXB	-	
			1100mm Front Panel	DM1-IP1100W	DM5-IP1100B	-	
	K - 126mm	40kg	Front Fixing Brackets	DS1-126IFXW	DS2-126IFXB	-	
			1100mm Front Panel	DM1-IP1100W	DM5-IP1100B	-	
	C - 174mm	40kg	Front Fixing Brackets	DS1-174IFXW	DS2-174IFXB	-	
			1100mm Front Panel	DM1-IP1100W	DM5-IP1100B	-	
			Square Cross Rail	DM1-SQRAILW	DM5-SQRAILB	-	
	F - 238mm	40kg	Front Fixing Brackets	DS1-238IFXW	DS2-238IFXB	-	
			1100mm Front Panel	DM1-IP1100W	DM5-IP1100B	-	
			Square Cross Rail	DM1-SQRAILW	DM5-SQRAILB	-	
	<b>ACCESSORIES</b>	M - 88mm	40kg	Front Fixing Brackets - Exp-Dowel	-	-	DSA-088IFXD
				Front Fixing Brackets - Screw-On	-	-	DSA-088IFXS
K - 126mm		40kg	Front Fixing Brackets - Exp-Dowel	-	-	DSA-126IFXD	
			Front Fixing Brackets - Screw-On	-	-	DSA-126IFXS	
C - 174mm		40kg	Front Fixing Brackets - Exp-Dowel	-	-	DSA-174IFXD	
			Front Fixing Brackets - Screw-On	-	-	DSA-174IFXS	
F - 238mm		40kg	Front Fix Brackets Inner Drawer	DS1-238IFXW	DS2-238IFXB	-	
			Square Cross Rail Connector	DM1-SQCONW	DM5-SQCONB	-	
			Drawer Divider	DM1-DIVIDER	DM5-DIVIDER	-	
			Cover Cap Set with NO Logo	DS1-NLCAP	DS2-NLCAP	-	
	U-shape Drawer Bracket for Under Sink Drawers		DM1-UDBV	-	-		





## Contact **Lek**

**PHONE:** 1300 489 399

**EMAIL:** [info@leksupply.com.au](mailto:info@leksupply.com.au)

**WEB:** [www.leksupply.com.au](http://www.leksupply.com.au)

### **VIC (Head Office)**

37-41 Letcon Drive  
Bangholme  
VIC 3175

### **NSW**

96 Newton Road  
Wetherill Park  
NSW 2164

### **QLD**

8/62 Crockford Street  
Northgate  
QLD 4013

### **SA**

41 Weaver Street  
Edwardstown  
SA 5039