

Lek



**LIFETIME
WARRANTY**

DTC MAGIC-PRO
Global Quality Benchmark
Slimline Drawer System



SLIMLINE | EASY INSTALLATION | LIFETIME WARRANTY



**LIFETIME
WARRANTY**

Magic-Pro is a perfect mix of function, elegance & fashionable statement.

Remarkably versatile, flexible and boundless: Magic-Pro, the straight sided drawer system features a slim and elegant drawer side design.

Its multitude of design makes every kitchen, bathroom and bedroom interior unique. With a choice of three colours, glass sides in white, push to open and five different drawer side heights: 62mm/88mm/126mm/172mm/238mm, endless design options can be produced.

Magic-Pro's slim design creates more storage space, features 3 dimensional adjustments left & right, up & down and tilt adjustment. It allows for tool free assembly and removal of drawer front. The highly stable drawer construction ensures stable and smooth motion with soft closing for wide and high drawers.

For strength and durability this system comes in both 40kg and 60kg load capacity. All drawers are covered with a 100K cycles durability test and Lifetime Warranty.

The straight lines design, the minimal 13mm thickness, the well-crafted components and finishes, defines the nature of this sleek and elegant drawer. This Straight sided Drawer System will no doubt leave a lasting impression.

CONTENT

Soft Close Drawers

Soft Close Standard Drawers	6
Soft Close Inner Drawers	16

Soft Close Glass Drawers

Soft Close Glass Drawers	30
Soft Close Inner Glass Drawers	34

Push Open Drawers

Push Open Drawers	46
Push Open Inner Drawers	54

Assembly and Adjustments 66

Marking Jigs 72

Accessories 74

References 76



Soft Close Drawers

Concealed Full Extension

Tool Free Assembly and removal of drawer

Silent System guarantees smooth run without noise

Dynamic Load Capacity 40kg/60kg

3D Adjustment

Super Low Drawer

N Height - 62.5mm

Concealed Full Extension

Load Capacity: 40kg

Finish: Silk White

3D Adjustment:

Up & down adjustment: ±1mm

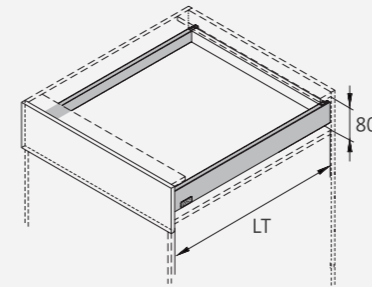
Left & right adjustment: ±1mm

Tilt adjustment: + 1.5, -2.5mm



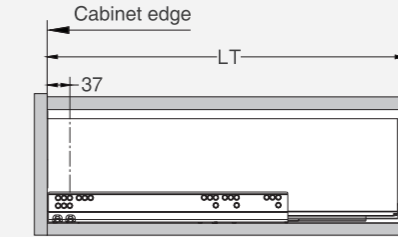
SPACE REQUIREMENT

LT = Internal Cabinet Depth
LT = NL + 3



PLANNING

NL - Nominal Slide Length
LT - Internal Cabinet Depth LT=NL+3
Soft close slides/LT=NL+3



Standard drawer

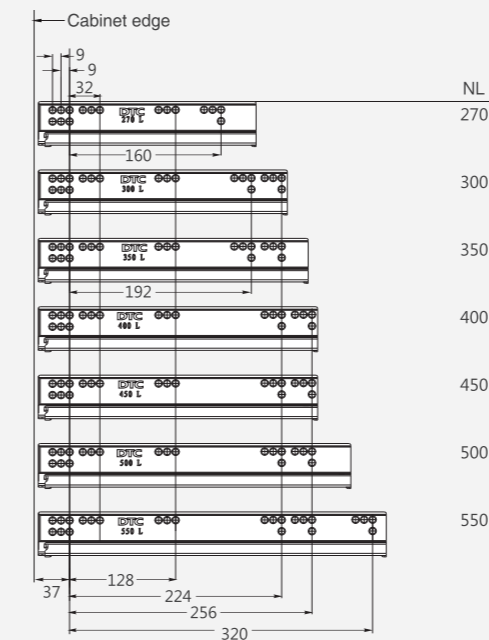
CABINET WIDTHS (MM)

300, 350, 400, 450, 500, 600,
800, 900, 1100, 1200

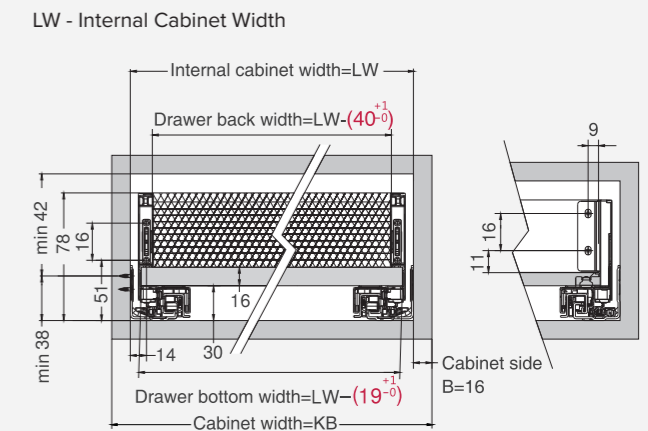
1 SOFT CLOSE DRAWER KIT

DEPTH, MM	SILK WHITE
400	DM1-062400
450	DM1-062450
500	DM1-062500

SCREW POSITIONS (MM)

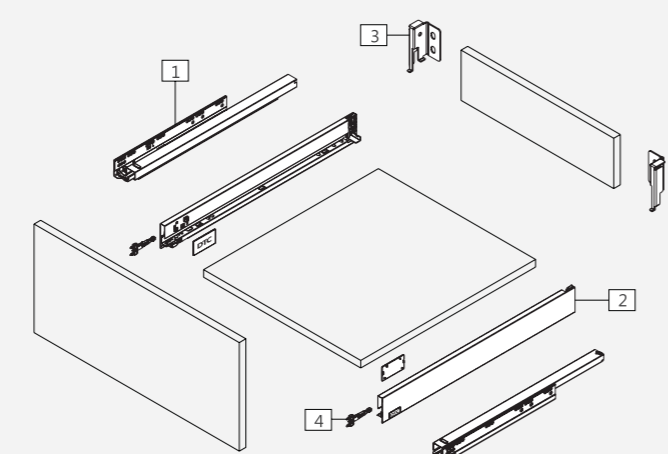


INSTALLATION DIMENSIONS (MM)

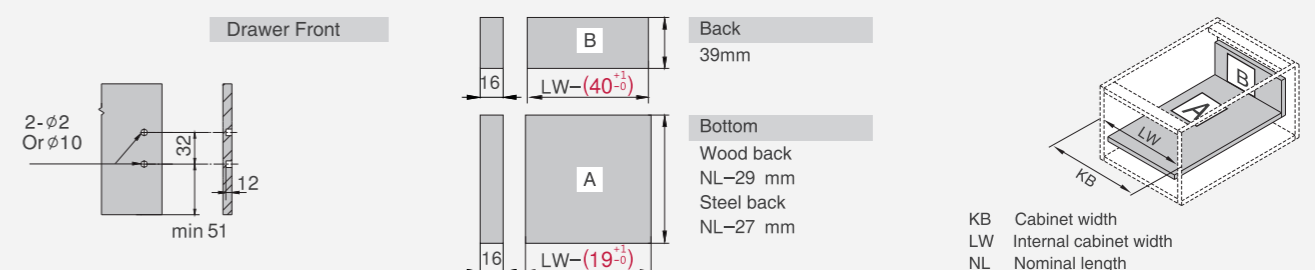


2 KIT CONTENT

- 1 1 set **Soft Closing Slides** (left / right)
- 2 1 set **Drawer Sides** (left / right)
- 3 1 set **Back Fixing Brackets** (left / right)
- 4 1 set **Front Fixing Brackets** (left / right)



DRAWER FRONT, BACK AND BOTTOM DIMENSIONS (MM)



Low Drawer

M Height - 88mm

Concealed Full Extension

Load Capacity: 40kg

Finish: Silk White, Grey Matt or Black

3D Adjustment:

Up & down adjustment: ±2mm

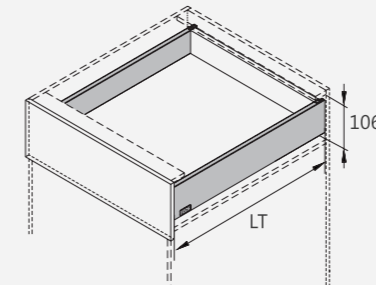
Left & right adjustment: ±1.5mm

Tilt adjustment: + 1.5, -2.5mm



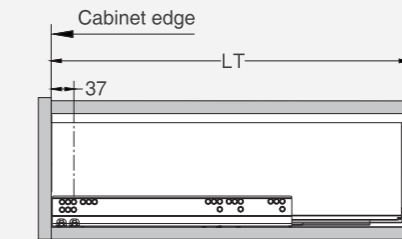
SPACE REQUIREMENT

LT = Internal Cabinet Depth
LT = NL + 3



PLANNING

NL - Nominal Slide Length
LT - Internal Cabinet Depth LT=NL+3
Soft close slides/LT=NL+3



Standard drawer

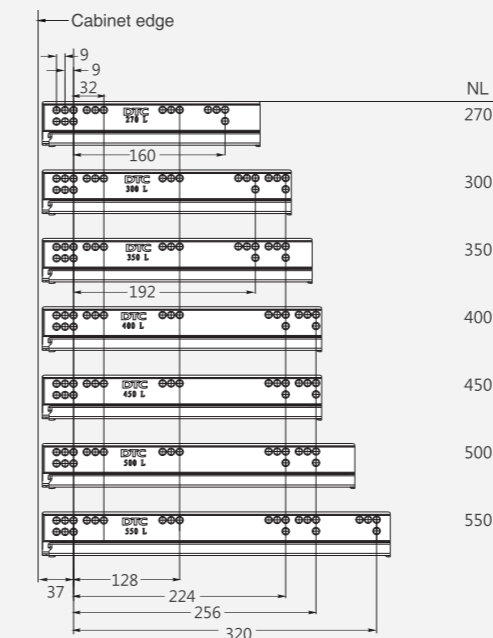
CABINET WIDTHS (MM)

300, 350, 400, 450, 500, 600,
800, 900, 1100, 1200

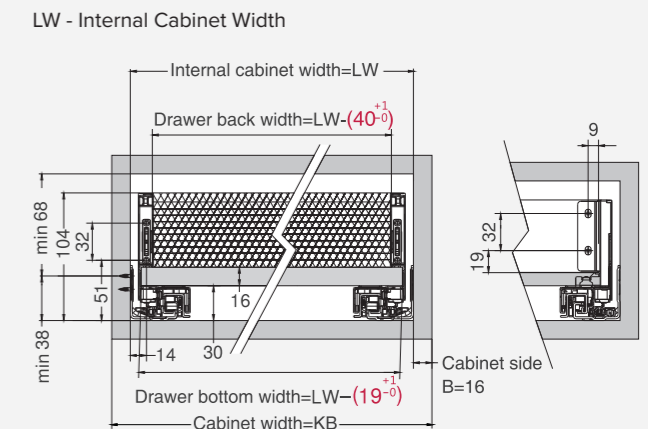
1 SOFT CLOSE DRAWER KIT

DEPTH, MM	SILK WHITE	GREY MATT	BLACK
270	DM1-088270	DM2-088270	DM5-088270
350	DM1-088350	DM2-088350	DM5-088350
400	DM1-088400	DM2-088400	DM5-088400
450	DM1-088450	DM2-088450	DM5-088450
500	DM1-088500	DM2-088500	DM5-088500
550	DM1-088550	DM2-088550	DM5-088550

SCREW POSITIONS (MM)

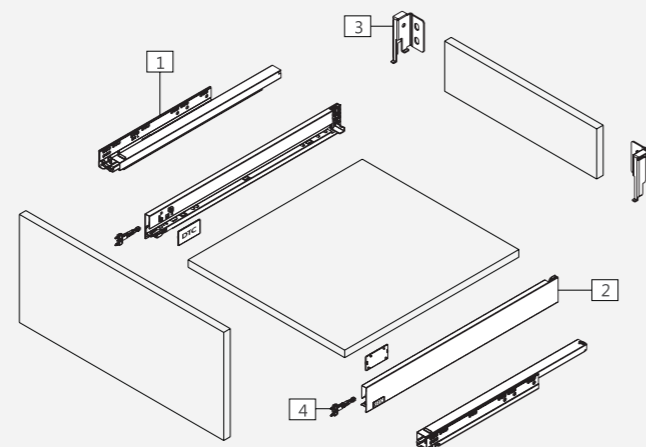


INSTALLATION DIMENSIONS (MM)

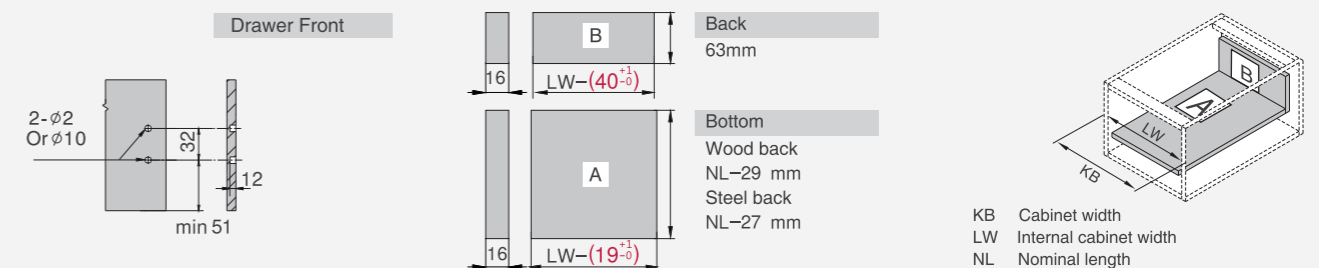


2 KIT CONTENT

- 1 1 set **Soft Closing Slides** (left / right)
- 2 1 set **Drawer Sides and Cover Caps** (left / right)
- 3 1 set **Back Fixing Brackets** (left / right)
- 4 1 set **Front Fixing Brackets** (left / right)



DRAWER FRONT, BACK AND BOTTOM DIMENSIONS (MM)



Medium Drawer

K Height - 126mm

Concealed Full Extension

Load Capacity: 40kg

Finish: Silk White, Grey Matt or Black

3D Adjustment:

Up & down adjustment: ±2mm

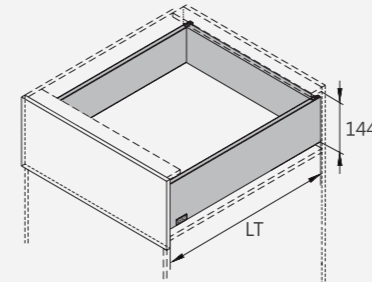
Left & right adjustment: ±1.5mm

Tilt adjustment: + 1.5, -2.5mm



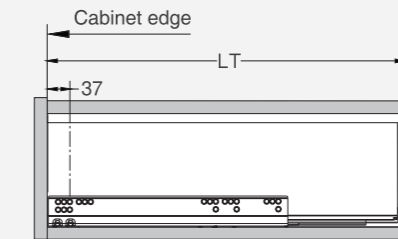
SPACE REQUIREMENT

LT = Internal Cabinet Depth
LT = NL + 3



PLANNING

NL - Nominal Slide Length
LT - Internal Cabinet Depth LT=NL+3
Soft close slides/LT=NL+3



Standard drawer

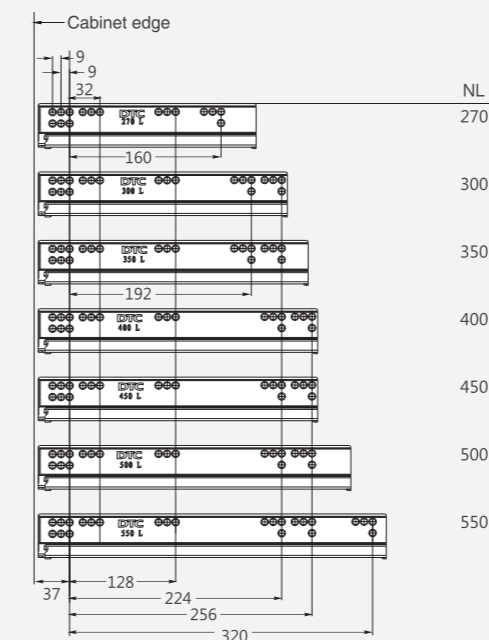
CABINET WIDTHS (MM)

300, 350, 400, 450, 500, 600,
800, 900, 1100, 1200

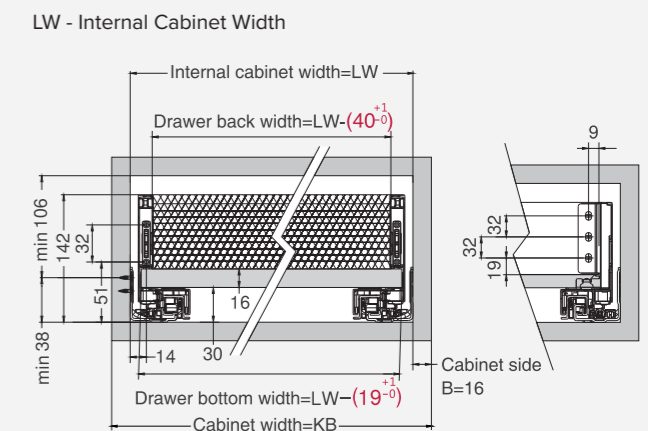
1 SOFT CLOSE DRAWER KIT

DEPTH, MM	SILK WHITE	GREY MATT	BLACK
270	DM1-126270	DM2-126270	DM5-126270
350	DM1-126350	DM2-126350	DM5-126350
400	DM1-126400	DM2-126400	DM5-126400
450	DM1-126450	DM2-126450	DM5-126450
500	DM1-126500	DM2-126500	DM5-126500
550	DM1-126550	DM2-126550	DM5-126550

SCREW POSITIONS (MM)

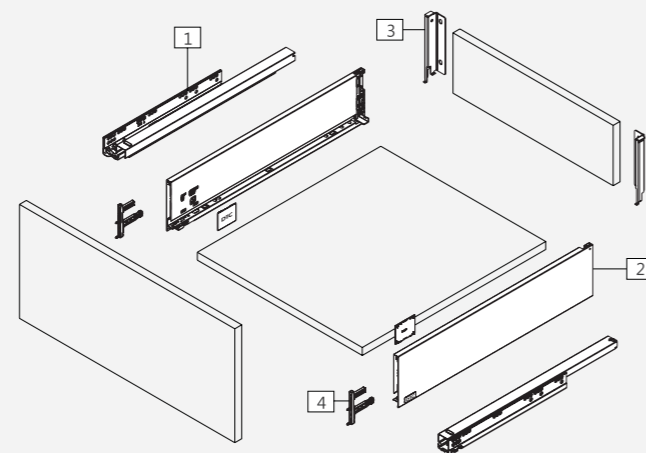


INSTALLATION DIMENSIONS (MM)

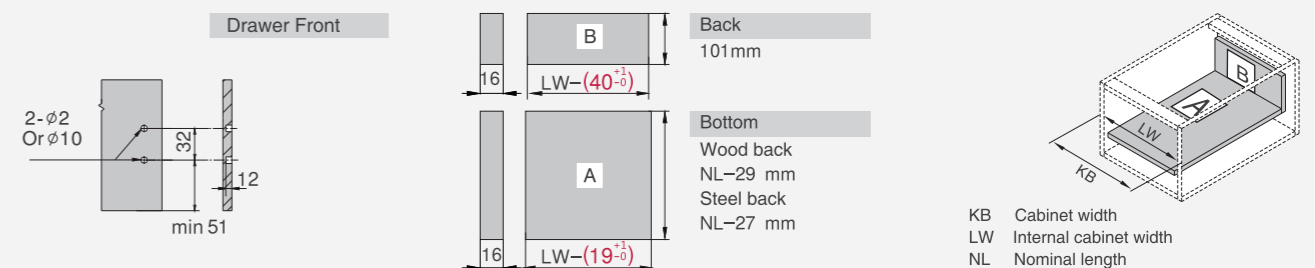


2 KIT CONTENT

- 1 1 set **Soft Closing Slides** (left / right)
- 2 1 set **Drawer Sides and Cover Caps** (left / right)
- 3 1 set **Back Fixing Brackets** (left / right)
- 4 1 set **Front Fixing Brackets** (left / right)



DRAWER FRONT, BACK AND BOTTOM DIMENSIONS (MM)



High Drawer

C Height - 172mm



Concealed Full Extension

Load Capacity: 40kg or 60kg

Finish: Silk White, Grey Matt or Black

3D Adjustment:

Up & down adjustment: ±2mm

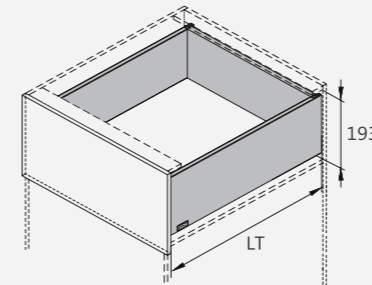
Left & right adjustment: ±1.5mm

Tilt adjustment: + 1.5, -2.5mm



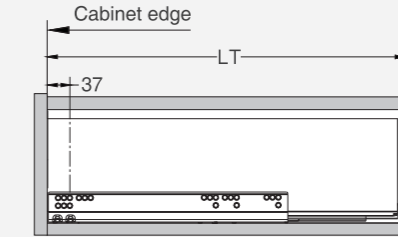
SPACE REQUIREMENT

LT = Internal Cabinet Depth
LT = NL + 3



PLANNING

NL - Nominal Slide Length
LT - Internal Cabinet Depth LT=NL+3
Soft close slides/LT=NL+3



Standard drawer

CABINET WIDTHS (MM)

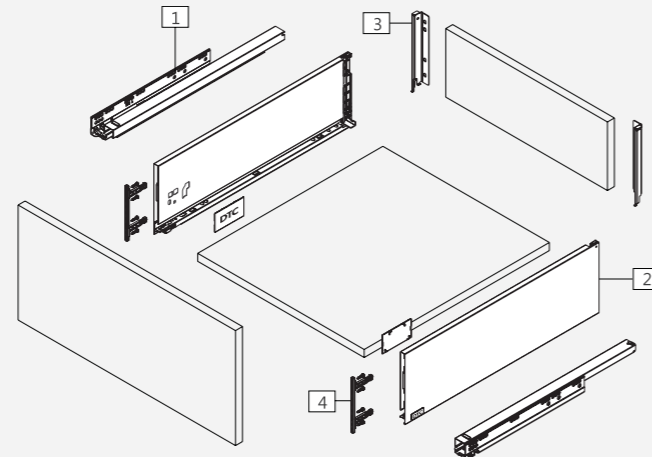
300, 350, 400, 450, 500, 600,
800, 900, 1100, 1200

1 SOFT CLOSE DRAWER KIT

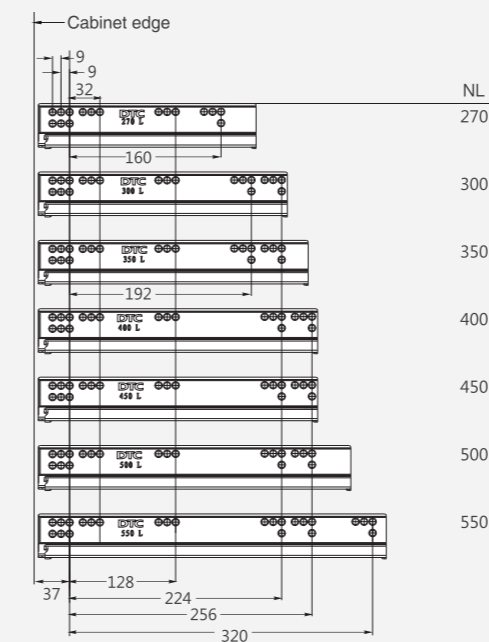
DEPTH, MM	SILK WHITE	GREY MATT	BLACK
LOADING: 40KG			
270	DM1-172270	DM2-172270	DM5-172270
350	DM1-172350	DM2-172270	DM5-172350
400	DM1-172400	DM2-172400	DM5-172400
450	DM1-172450	DM2-172450	DM5-172450
500	DM1-172500	DM2-172500	DM5-172500
550	DM1-172550	DM2-172550	DM5-172550
LOADING: 60KG			
500	DM1-172500KG60	DM2-172500KG60	DM5-172500KG60
550	DM1-172550KG60	DM2-172550KG60	DM5-172550KG60

2 KIT CONTENT

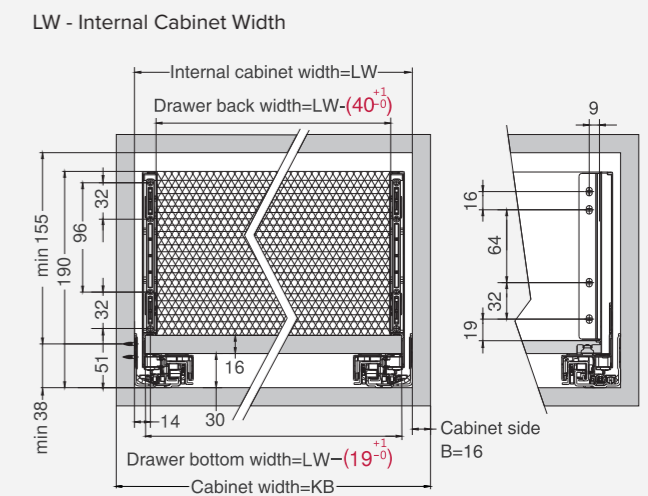
- 1 set **Soft Closing Slides** (left / right)
- 1 set **Drawer Sides and Cover Caps** (left / right)
- 1 set **Back Fixing Brackets** (left / right)
- 1 set **Front Fixing Brackets** (left / right)



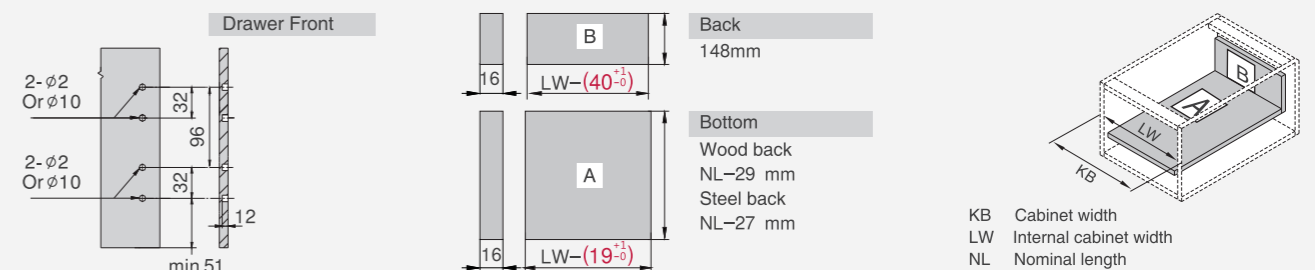
SCREW POSITIONS (MM)



INSTALLATION DIMENSIONS (MM)



DRAWER FRONT, BACK AND BOTTOM DIMENSIONS (MM)



Super High Drawer

F Height - 238mm

Concealed Full Extension

Load Capacity: 40kg or 60kg

Finish: Silk White, Grey Matt or Black

3D Adjustment:

Up & down adjustment: ±2mm

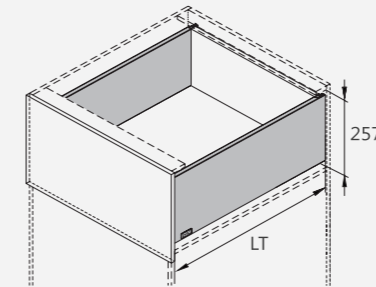
Left & right adjustment: ±1.5mm

Tilt adjustment: + 1.5, -2.5mm



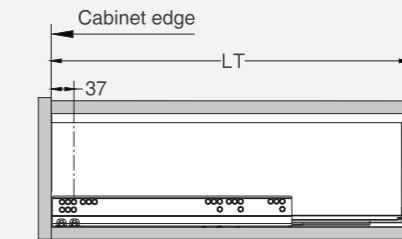
SPACE REQUIREMENT

LT = Internal Cabinet Depth
LT = NL + 3



PLANNING

NL - Nominal Slide Length
LT - Internal Cabinet Depth LT=NL+3
Soft close slides/LT=NL+3



Standard drawer

CABINET WIDTHS (MM)

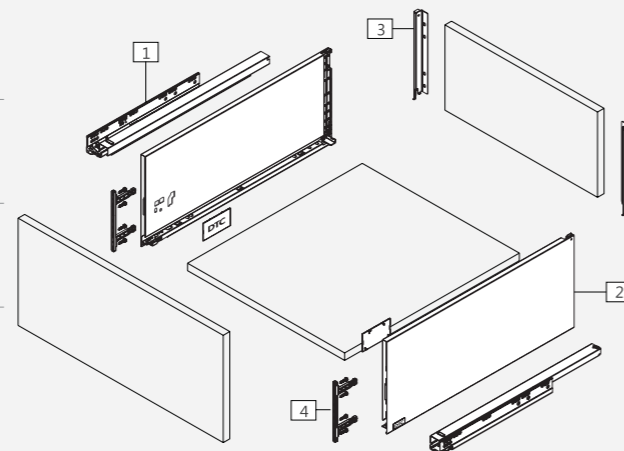
300, 350, 400, 450, 500, 600,
800, 900, 1100, 1200

1 SOFT CLOSE DRAWER KIT

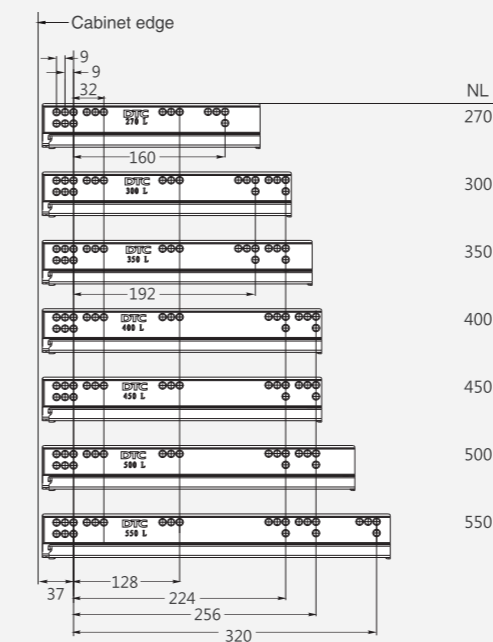
DEPTH, MM	SILK WHITE	GREY MATT	BLACK
LOADING: 40KG			
270	DM1-238270	DM2-238270	DM5-238270
350	DM1-238350	DM2-238350	DM5-238350
400	DM1-238400	DM2-238400	DM5-238400
450	DM1-238450	DM2-238450	DM5-238450
500	DM1-238500	DM2-238500	DM5-238500
550	DM1-238550	DM2-238550	DM5-238550
LOADING: 60KG			
500	DM1-238500KG60	DM2-238500KG60	DM5-238500KG60
550	DM1-238550KG60	DM2-238550KG60	DM5-238550KG60

2 KIT CONTENT

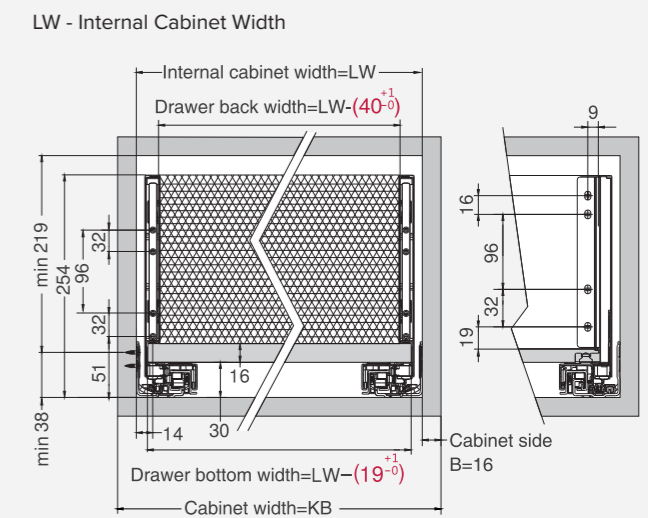
- 1 set **Soft Closing Slides** (left / right)
- 1 set **Drawer Sides and Cover Caps** (left / right)
- 1 set **Back Fixing Brackets** (left / right)
- 1 set **Front Fixing Brackets** (left / right)



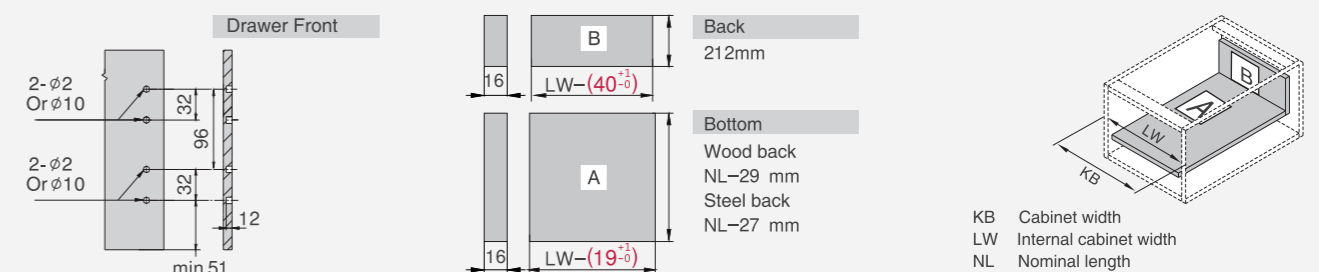
SCREW POSITIONS (MM)



INSTALLATION DIMENSIONS (MM)



DRAWER FRONT, BACK AND BOTTOM DIMENSIONS (MM)



Low Inner Drawer

M Height - 88mm

Concealed Full Extension

Load Capacity: 40kg

Finish: Silk White, Grey Matt or Black

3D Adjustment:

Up & down adjustment: ±2mm

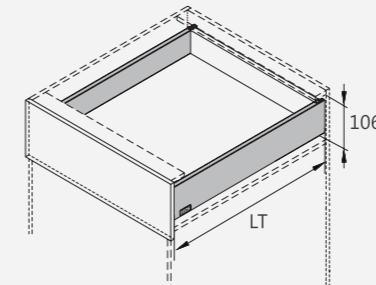
Left & right adjustment: ±1.5mm

Tilt adjustment: + 1.5, -2.5mm



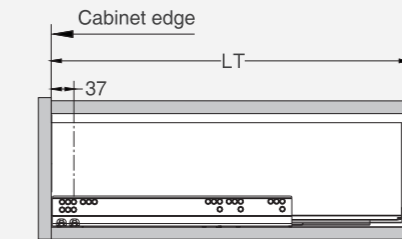
SPACE REQUIREMENT

LT = Internal Cabinet Depth
LT = NL + 3



PLANNING

NL - Nominal Slide Length
LT - Internal Cabinet Depth LT=NL+3
Soft close slides/LT=NL+3



Standard drawer

CABINET WIDTHS (MM)

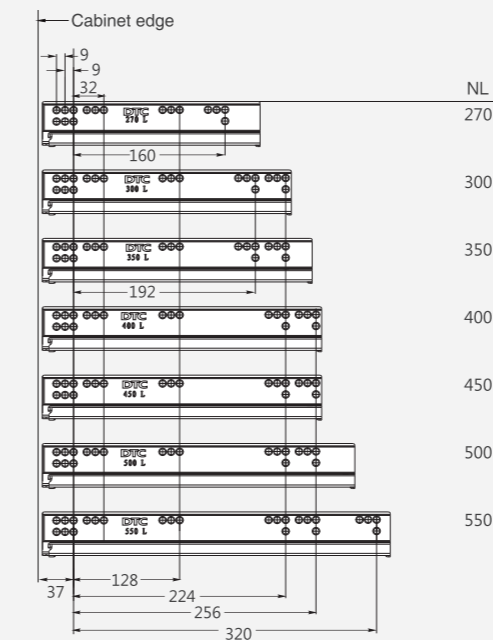
300, 350, 400, 450, 500, 600,
800, 900, 1100, 1200

1 ADD-ON COMPONENTS ORDER

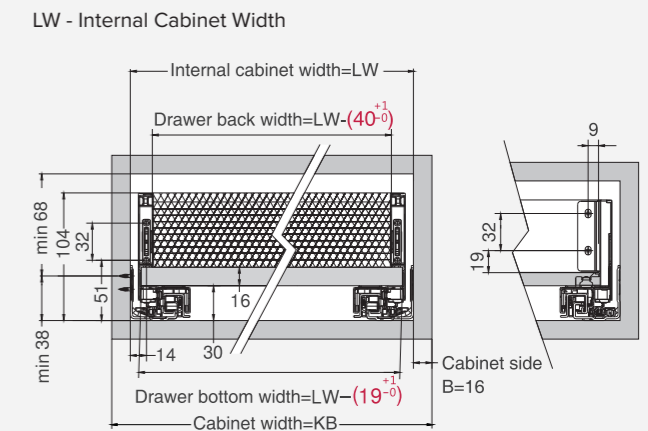
Order M Height Soft Close Drawer Kit (See page 8) + Front Panel Components to make the Inner Drawer

DESCRIPTION	SILK WHITE	GREY MATT	BLACK
Front Fixing Brackets	DM1-088IFXW	DM2-088IFXG	DM5-088IFXB
1100mm Front Panel	DM1-IP1100W	DM2-IP1100G	DM5-IP1100B


SCREW POSITIONS (MM)

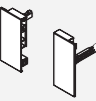


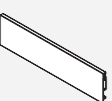
INSTALLATION DIMENSIONS (MM)

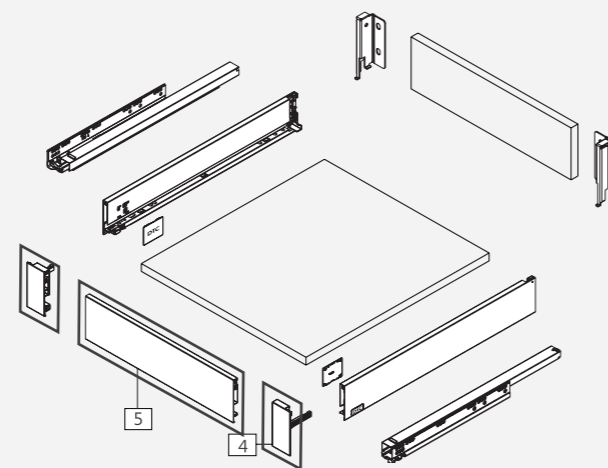


2 REQUIRED COMPONENTS TO MAKE INNER SYSTEM

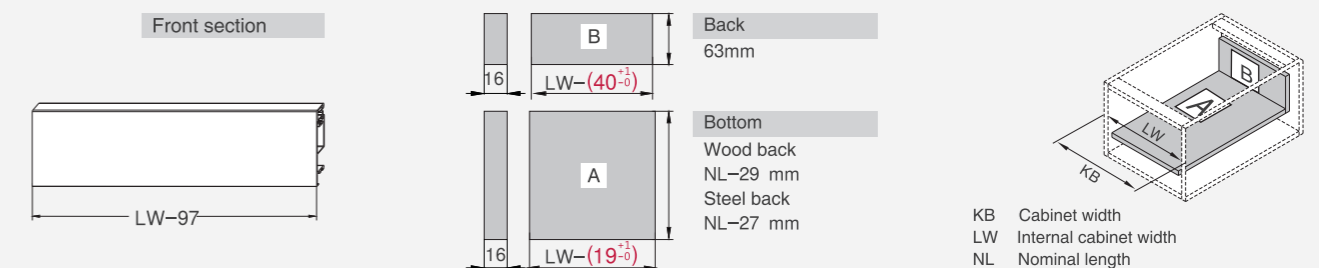
1  **M Height Drawer Kit**
(Silk White / Grey Matt / Black)
See page 8

4  1 set **Front Fixing Brackets** (left / right)
Replace these brackets over kit version

5  1 pc **1100mm Front Panel**
Cutting: Internal cabinet width LW-97mm



DRAWER FRONT, BACK AND BOTTOM DIMENSIONS (MM)



Medium Inner Drawer

K Height - 126mm

Concealed Full Extension

Load Capacity: 40kg

Finish: Silk White, Grey Matt or Black

3D Adjustment:

Up & down adjustment: ±2mm

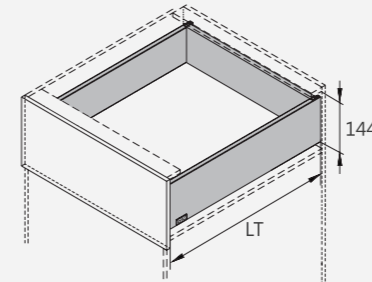
Left & right adjustment: ±1.5mm

Tilt adjustment: + 1.5, -2.5mm



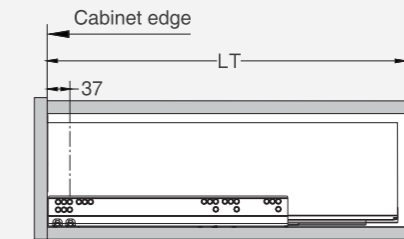
SPACE REQUIREMENT

LT = Internal Cabinet Depth
LT = NL + 3



PLANNING

NL - Nominal Slide Length
LT - Internal Cabinet Depth LT=NL+3
Soft close slides/LT=NL+3



Standard drawer

CABINET WIDTHS (MM)

300, 350, 400, 450, 500, 600,
800, 900, 1100, 1200

1 ADD-ON COMPONENTS ORDER

Order K Height Soft Close Drawer Kit (See page 10) +
Front Panel Components to make the Inner Drawer

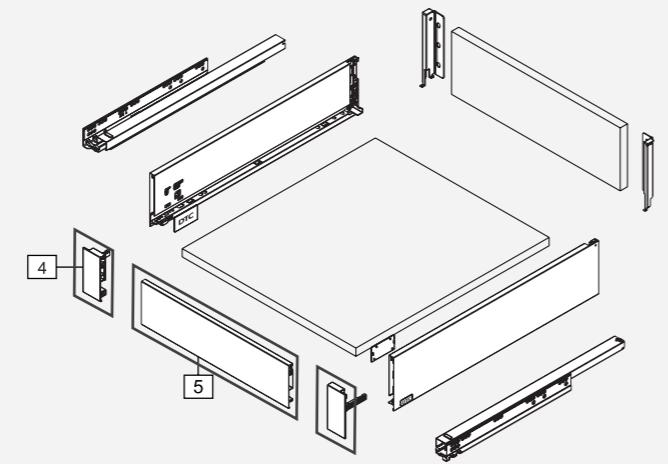
DESCRIPTION	SILK WHITE	GREY MATT	BLACK
Front Fixing Brackets	DM1-126IFXW	DM2-126IFXG	DM5-126IFXB
1100mm Front Panel	DM1-IP1100W	DM2-IP1100G	DM5-IP1100B

2 REQUIRED COMPONENTS TO MAKE INNER SYSTEM

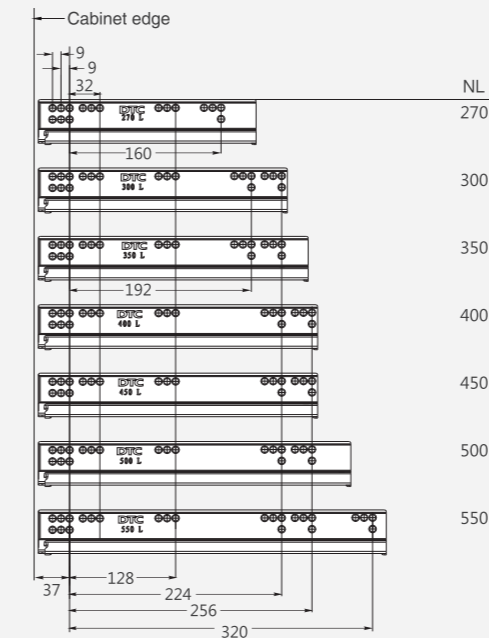
1 **K Height Drawer Kit**
(Silk White / Grey Matt / Black)
See page 10

4 **1 set Front Fixing Brackets** (left / right)
Replace these brackets over kit version

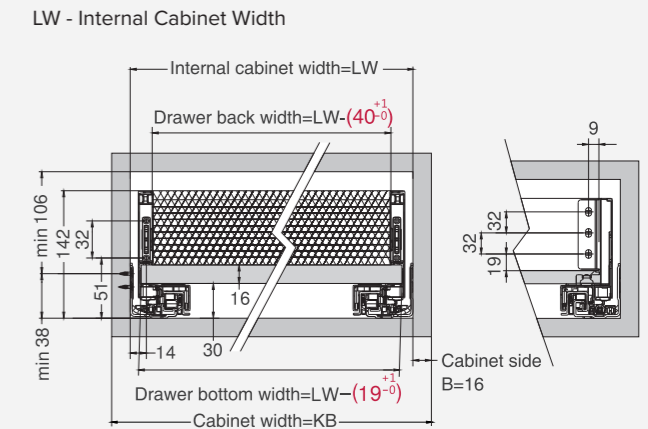
5 **1 pc 1100mm Front Panel**
Cutting: Internal cabinet width LW-97mm



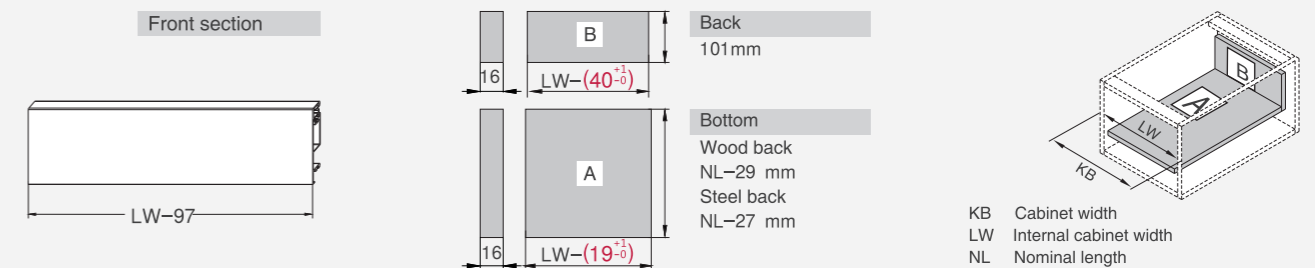
SCREW POSITIONS (MM)



INSTALLATION DIMENSIONS (MM)



DRAWER FRONT, BACK AND BOTTOM DIMENSIONS (MM)



High Inner Drawer

C Height - 172mm

Concealed Full Extension

Load Capacity: 40kg or 60kg

Finish: Silk White, Grey Matt or Black

3D Adjustment:

Up & down adjustment: ±2mm

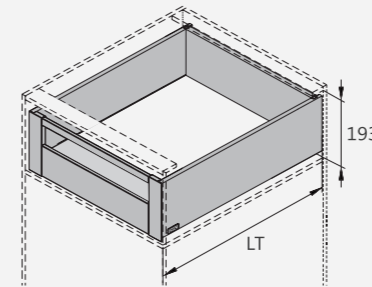
Left & right adjustment: ±1.5mm

Tilt adjustment: + 1.5, -2.5mm



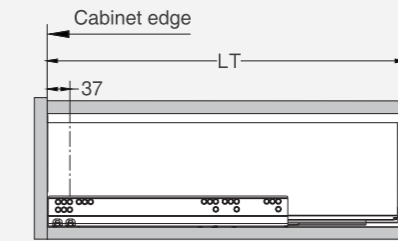
SPACE REQUIREMENT

LT = Internal Cabinet Depth
LT = NL + 3



PLANNING

NL - Nominal Slide Length
LT - Internal Cabinet Depth LT=NL+3
Soft close slides/LT=NL+3



Standard drawer

CABINET WIDTHS (MM)

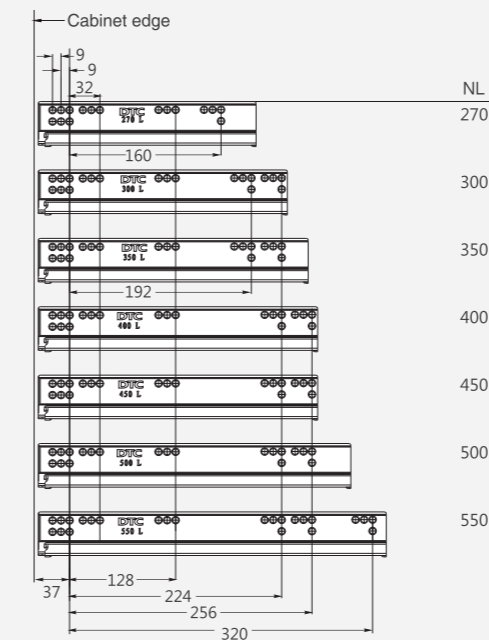
300, 350, 400, 450, 500, 600,
800, 900, 1100, 1200

1 ADD-ON COMPONENTS ORDER

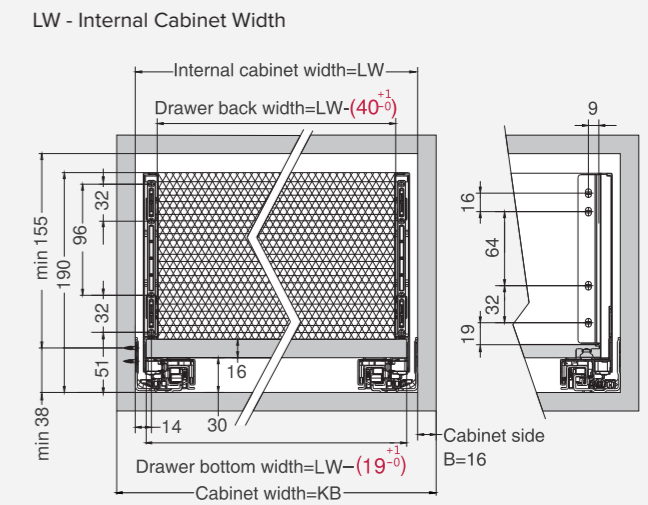
Order C Height Soft Close Drawer Kit (See page 12) +
Front Panel Components to make the Inner Drawer

DESCRIPTION	SILK WHITE	GREY MATT	BLACK
Front Fixing Brackets	DM1-172IFXW	DM2-172IFXG	DM5-172IFXB
1100mm Front Panel	DM1-IP1100W	DM2-IP1100G	DM5-IP1100B
Square Cross Rail	DM1-SQRAILW	DM2-SQRAILG	DM5-SQRAILB

SCREW POSITIONS (MM)



INSTALLATION DIMENSIONS (MM)



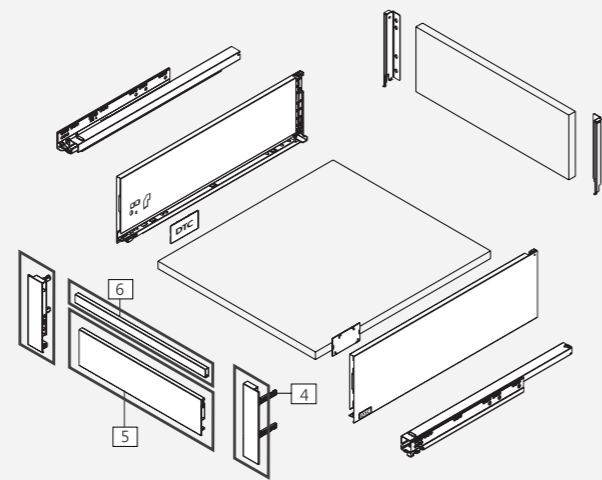
2 REQUIRED COMPONENTS TO MAKE INNER SYSTEM

1 **C Height Drawer Kit**
(Silk White / Grey Matt / Black)
See page 12

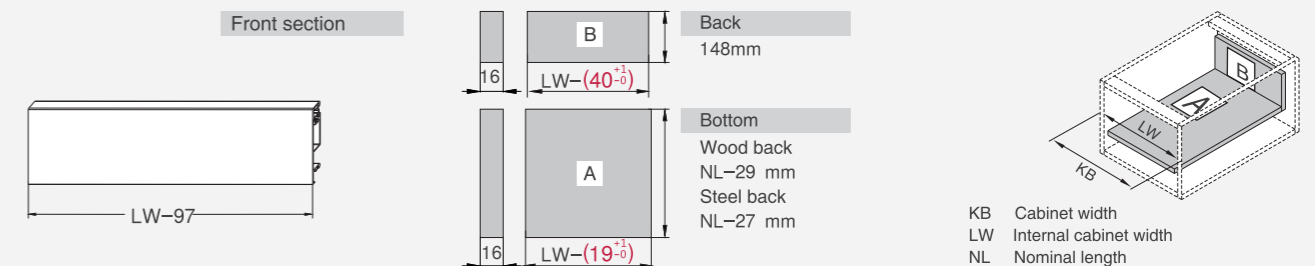
4 1 set **Front Fixing Brackets** (left / right)
Replace these brackets over kit version

5 1 pc **1100mm Front Panel**
Cutting: Internal cabinet width LW-97mm

6 1 pc **1100mm Square Cross Rail**
Cutting: Internal cabinet width LW-72mm



DRAWER FRONT, BACK AND BOTTOM DIMENSIONS (MM)



Inner Glass Front Drawer

M Height - 88mm

Concealed Full Extension

Load Capacity: 40kg

Finish: Silk White, Grey Matt or Black

3D Adjustment:

Up & down adjustment: ±2mm

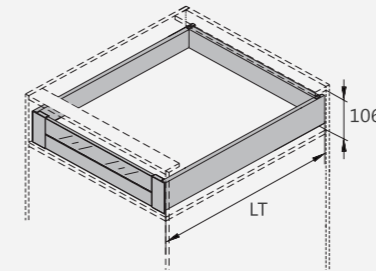
Left & right adjustment: ±1.5mm

Tilt adjustment: + 1.5, -2.5mm



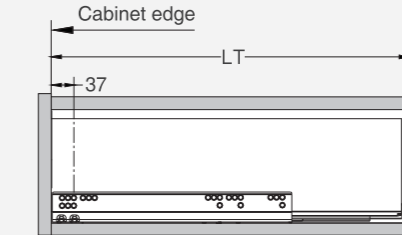
SPACE REQUIREMENT

LT = Internal Cabinet Depth
LT = NL + 3



PLANNING

NL - Nominal Slide Length
LT - Internal Cabinet Depth LT=NL+3
Soft close slides/LT=NL+3



Standard drawer

CABINET WIDTHS (MM)

400, 450, 500, 550, 600, 800, 900

1 ADD-ON COMPONENTS ORDER

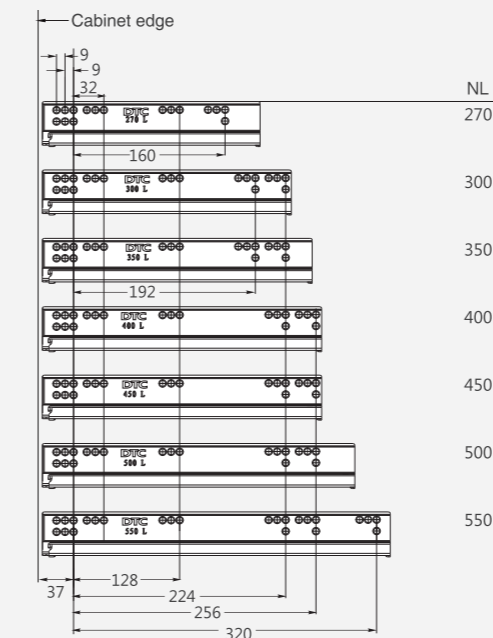
Order M Height Soft Close Drawer Kit (See page 8) + Front Panel Components to make the Inner Drawer

DESCRIPTION	SILK WHITE	GREY MATT	BLACK
1100mm Inner Drawer Front Panel	DM3-GIP1100W	DM3-GIP1100G	DM3-GIP1100B
46/88mm Front Fixing Brackets	DM3-WIFX088046	DM3-GIFX088046	DM3-BIFX088046

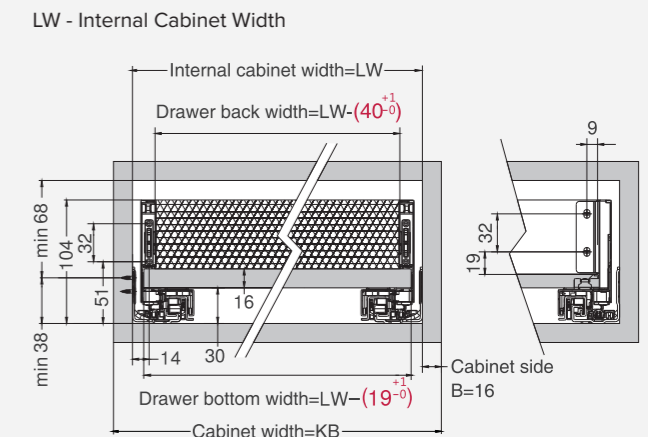
REQUIRED ADD-ON

DRAWER FRONT WIDTH, MM	10MM GLASS FRONT (46MM)
400	DM3-IFG08846400
450	DM3-IFG08846450
500	DM3-IFG08846500
600	DM3-IFG08846600
800	DM3-IFG08846800
900	DM3-IFG08846900

SCREW POSITIONS (MM)



INSTALLATION DIMENSIONS (MM)



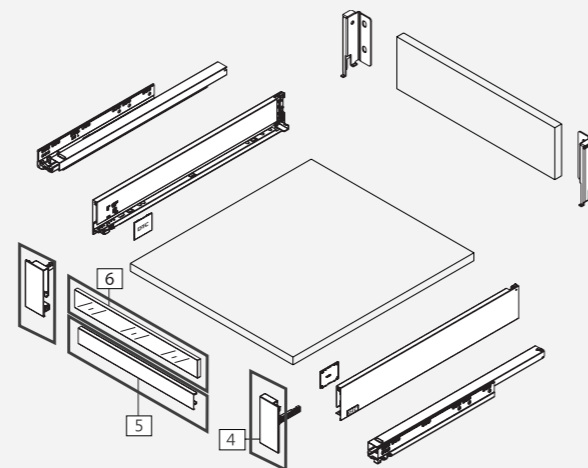
2 REQUIRED COMPONENTS TO MAKE INNER SYSTEM

1 **M Height Drawer Kit**
(Silk White / Grey Matt / Black)
See page 8

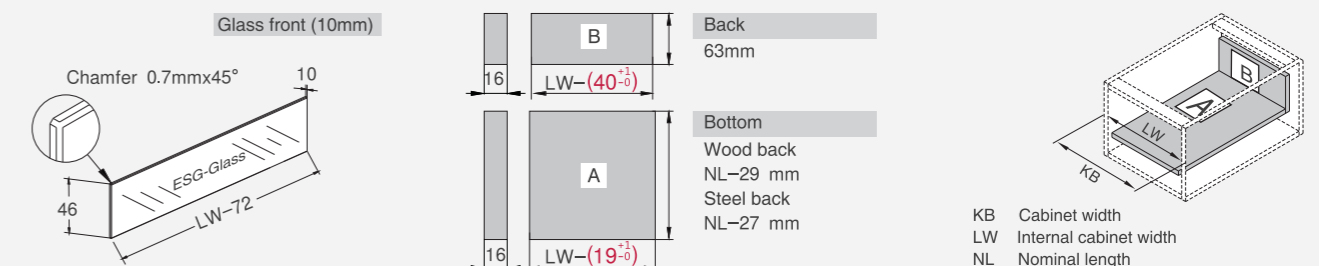
4 1 set **46/88mm Front Fixing Brackets**

5 1 pc **1100mm Inner Drawer Front Panel**

6 1 pc **10mm Inner Glass Front (46mm)**



DRAWER FRONT, BACK AND BOTTOM DIMENSIONS (MM)



Inner Low Glass Front Drawer

C Height - 172mm

Concealed Full Extension

Load Capacity: 40kg or 60kg

Finish: Silk White, Grey Matt or Black

3D Adjustment:

Up & down adjustment: ±2mm

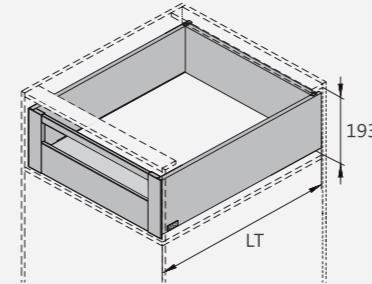
Left & right adjustment: ±1.5mm

Tilt adjustment: + 1.5, -2.5mm



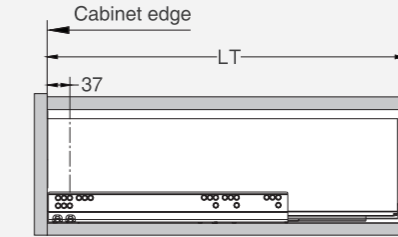
SPACE REQUIREMENT

LT = Internal Cabinet Depth
LT = NL + 3



PLANNING

NL - Nominal Slide Length
LT - Internal Cabinet Depth LT=NL+3
Soft close slides/LT=NL+3



Standard drawer

CABINET WIDTHS (MM)

400, 450, 500, 550, 600, 800, 900

1 ADD-ON COMPONENTS ORDER

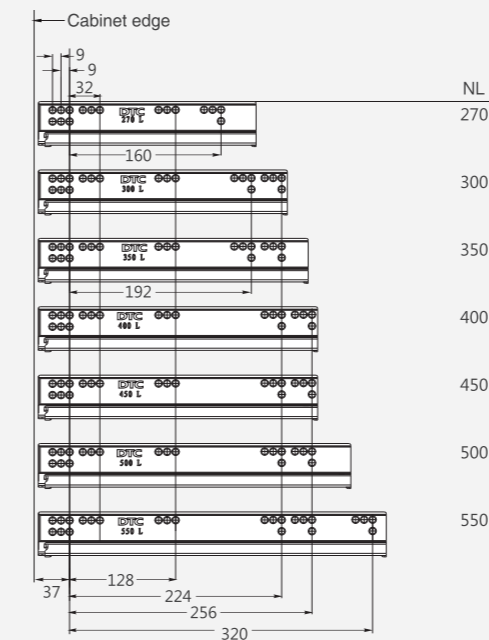
Order C Height Soft Close Drawer Kit (See page 12) + Front Panel Components to make the Inner Drawer

DESCRIPTION	SILK WHITE	GREY MATT	BLACK
1100mm Inner Drawer Front Panel	DM3-GIP1100W	DM3-GIP1100G	DM3-GIP1100B
46/172mm Front Fixing Brackets	DM3-WIFX172046	DM3-GIFX172046	DM3-BIFX172046

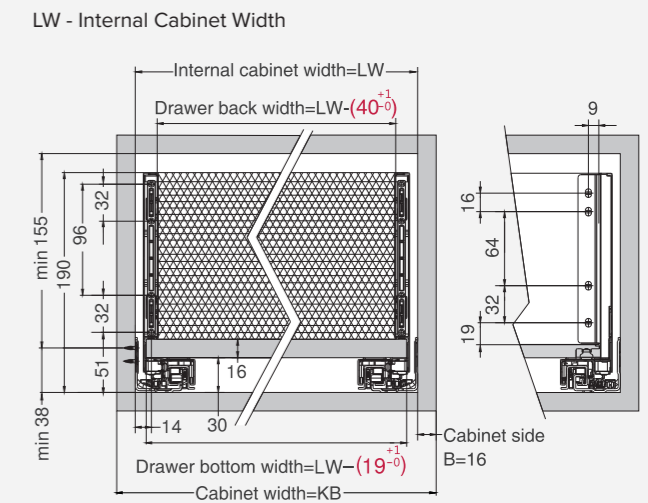
REQUIRED ADD-ON

DRAWER FRONT WIDTH, MM	10MM GLASS FRONT (46MM)
400	DM3-IFG08846400
450	DM3-IFG08846450
500	DM3-IFG08846500
550	DM3-IFG08846550
600	DM3-IFG08846600
800	DM3-IFG08846800
900	DM3-IFG08846900

SCREW POSITIONS (MM)



INSTALLATION DIMENSIONS (MM)



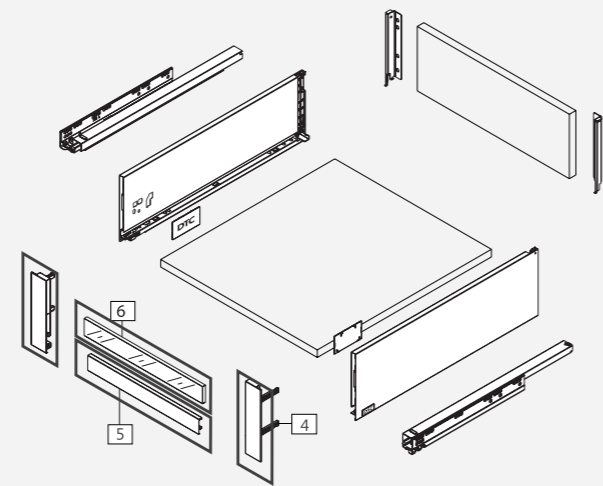
2 REQUIRED COMPONENTS TO MAKE INNER SYSTEM

1 **C Height Drawer Kit**
(Silk White / Grey Matt / Black)
See page 12

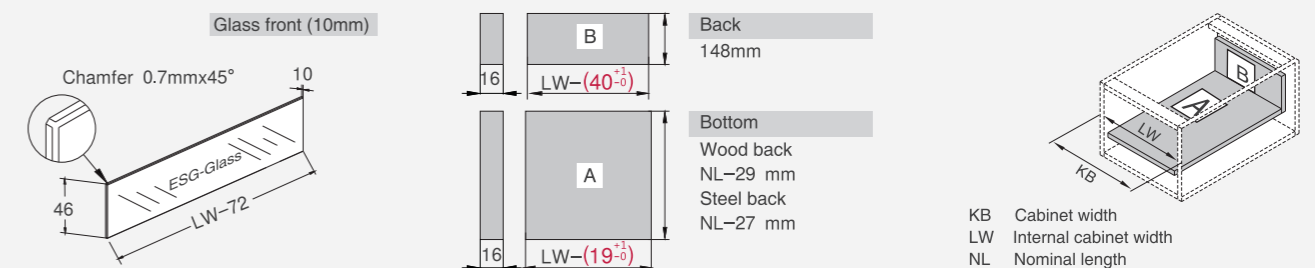
4 1 set **46/172mm Front Fixing Brackets**

5 1 pc **1100mm Inner Drawer Front Panel**

6 1 pc **10mm Inner Glass Front (46mm)**



DRAWER FRONT, BACK AND BOTTOM DIMENSIONS (MM)



Inner High Glass Front Drawer

C Height - 172mm

Concealed Full Extension

Load Capacity: 40kg or 60kg

Finish: Silk White, Grey Matt or Black

3D Adjustment:

Up & down adjustment: ±2mm

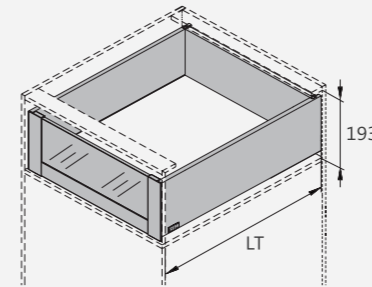
Left & right adjustment: ±1.5mm

Tilt adjustment: + 1.5, -2.5mm



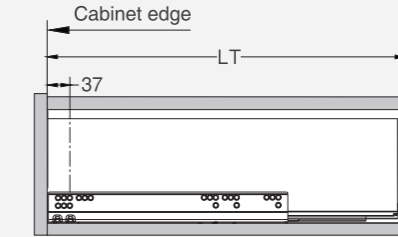
SPACE REQUIREMENT

LT = Internal Cabinet Depth
LT = NL + 3



PLANNING

NL - Nominal Slide Length
LT - Internal Cabinet Depth LT=NL+3
Soft close slides/LT=NL+3



Standard drawer

CABINET WIDTHS (MM)

400, 450, 500, 550, 600, 800, 900

1 ADD-ON COMPONENTS ORDER

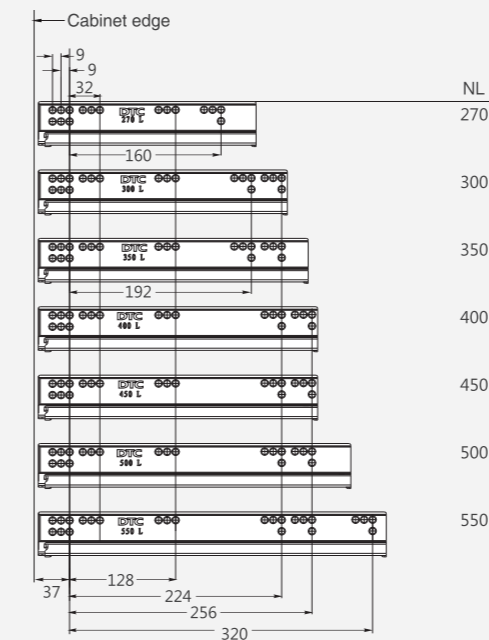
Order C Height Soft Close Drawer Kit (See page 12) + Front Panel Components to make the Inner Drawer

DESCRIPTION	SILK WHITE	GREY MATT	BLACK
1100mm Inner Drawer Front Panel	DM3-GIP1100W	DM3-GIP1100G	DM3-GIP1100B
132/172mm Front Fixing Brackets	DM3-WIFX172132	DM3-GIFX172132	DM3-BIFX172132

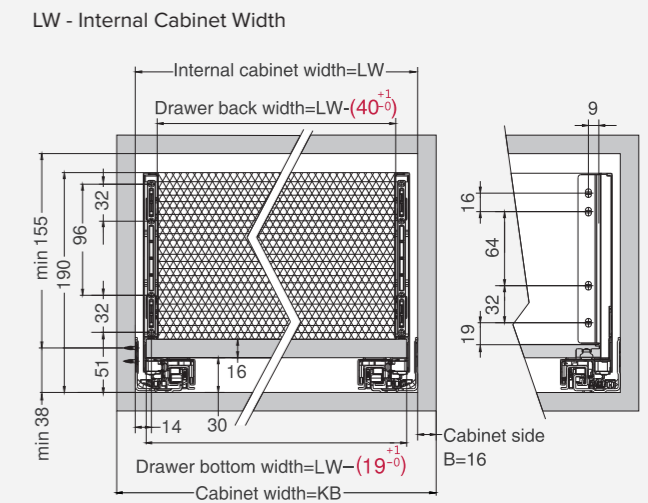
REQUIRED ADD-ON

DRAWER FRONT WIDTH, MM	10MM GLASS FRONT (132MM)
400	DM3-IFG172132400
450	DM3-IFG172132450
500	DM3-IFG172132500
600	DM3-IFG172132600
800	DM3-IFG172132800
900	DM3-IFG172132900

SCREW POSITIONS (MM)



INSTALLATION DIMENSIONS (MM)



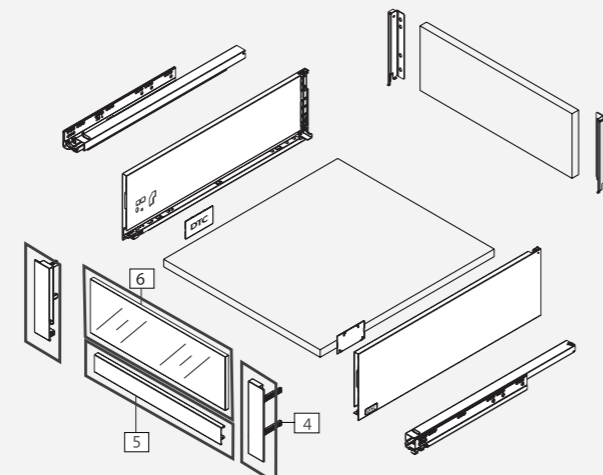
2 REQUIRED COMPONENTS TO MAKE INNER SYSTEM

1 **C Height Drawer Kit**
(Silk White / Grey Matt / Black)
See page 12

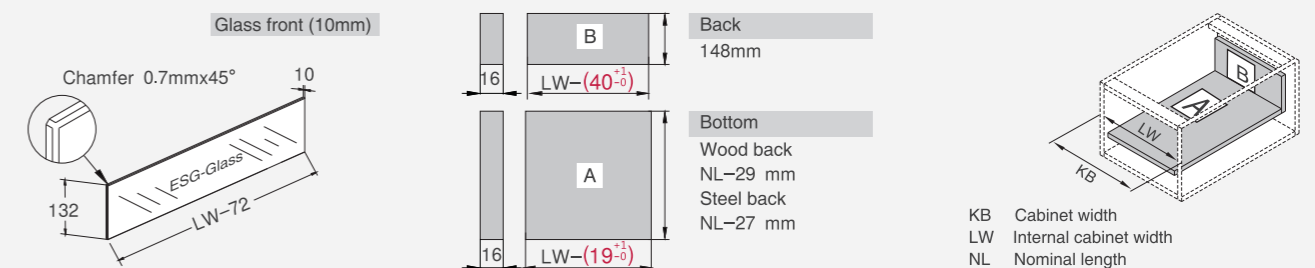
4 1 set **132/172mm Front Fixing Brackets**

5 1 pc **1100mm Inner Drawer Front Panel**

6 1 pc **10mm Inner Glass Front (132mm)**



DRAWER FRONT, BACK AND BOTTOM DIMENSIONS (MM)





Soft Close Glass Drawers

Concealed Full Extension

Tool Free Assembly and removal of drawer

Silent System guarantees smooth run without noise

Load Capacity 40kg

3D Adjustment

Glass Drawer

M Height - 88mm

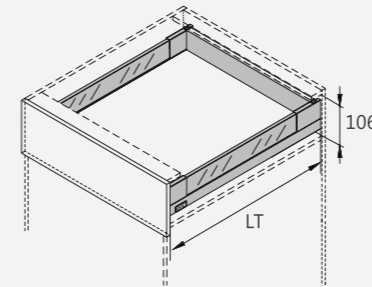
Concealed Full Extension
Load Capacity: 40kg
Finish: Silk White or Black
Glass Boxside: 10mm

3D Adjustment:
 Up & down adjustment: ±2mm
 Left & right adjustment: ±1.5mm
 Tilt adjustment: + 1.5, -2.5mm



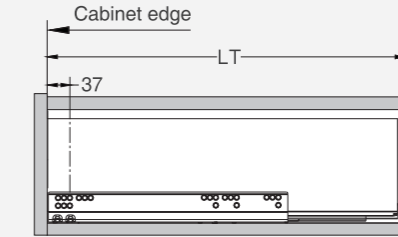
SPACE REQUIREMENT

LT = Internal Cabinet Depth
 LT = NL + 3



PLANNING

NL - Nominal Slide Length
 LT - Internal Cabinet Depth LT=NL+3
 Soft close slides/LT=NL+3



Standard drawer

CABINET WIDTHS (MM)

300, 350, 400, 450, 500, 600,
 800, 900, 1100, 1200

1 SOFT CLOSE GLASS DRAWER KIT

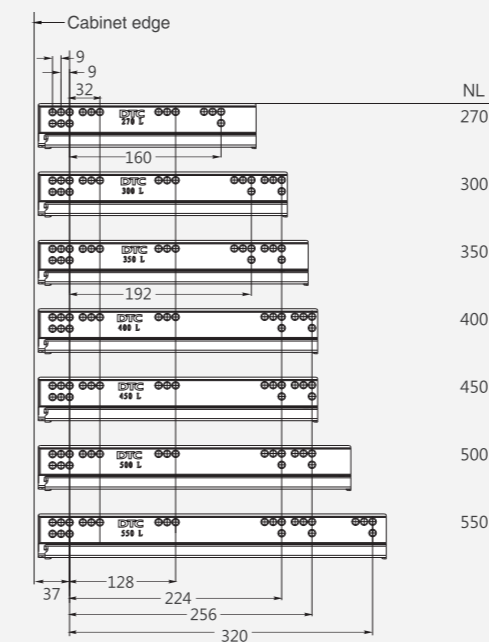
DEPTH, MM	SILK WHITE	BLACK
400	DM3-W088400	DM3-B088400
450	DM3-W088450	DM3-B088450
500	DM3-W088500	DM3-B088500
550	DM3-W088550	DM3-B088550

REQUIRED ADD-ON

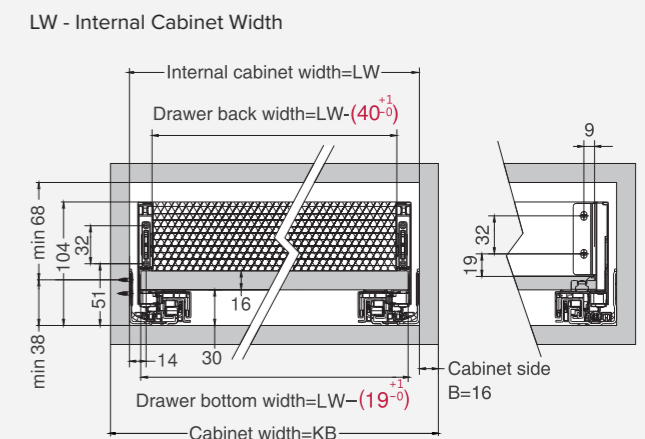
DEPTH, MM	GLASS BOXSIDE
400	DM3-SGB08854400
450	DM3-SGB08854450
500	DM3-SGB08854500
550	DM3-SGB08854550

7 **10mm Glass Boxside (Left/Right)**

SCREW POSITIONS (MM)

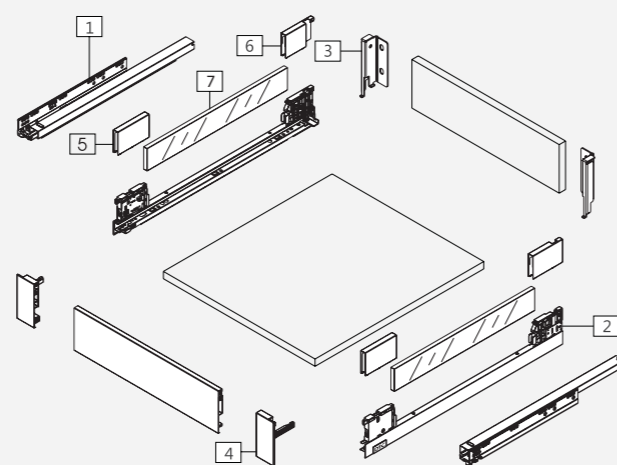


INSTALLATION DIMENSIONS (MM)



2 KIT CONTENT

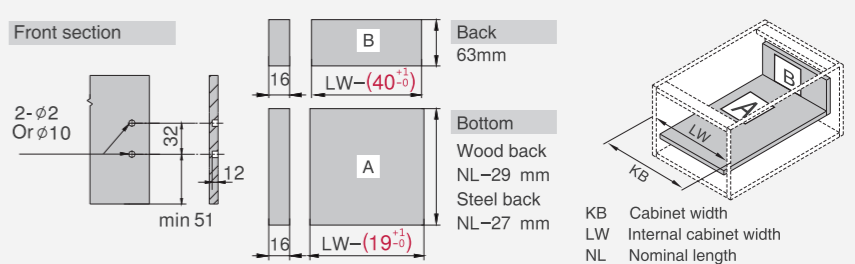
- 1 1 set **Soft Closing Slides** (left / right)
- 2 1 set **Drawer Sides and Cover Caps** (left / right)
- 3 1 set **Back Fixing Brackets** (left / right)
- 4 1 set **Front Fixing Brackets** (left / right)
- 5 1 set **Front Adapters** (left / right)
- 6 1 set **Rear Adapters** (left / right)



GLASS SIDE DIMENSIONS (MM)



DRAWER FRONT, BACK AND BOTTOM DIMENSIONS (MM)



Inner Glass Drawer

M Height - 88mm

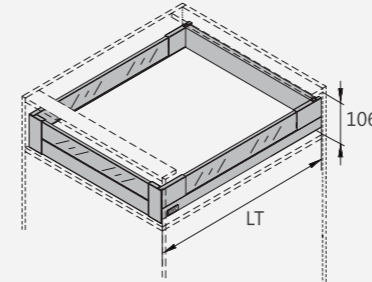
Concealed Full Extension
Load Capacity: 40kg
Finish: Silk White or Black
Glass Boxside: 10mm

3D Adjustment:
 Up & down adjustment: ±2mm
 Left & right adjustment: ±1.5mm
 Tilt adjustment: + 1.5, -2.5mm

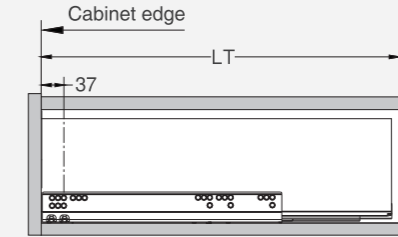


SPACE REQUIREMENT	PLANNING	CABINET WIDTHS (MM)
-------------------	----------	---------------------

LT = Internal Cabinet Depth
 LT = NL + 3



NL - Nominal Slide Length
 LT - Internal Cabinet Depth LT=NL+3
 Soft close slides/LT=NL+3



Standard drawer

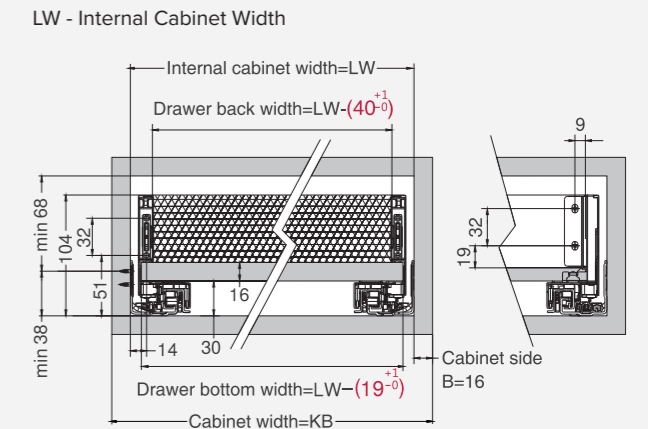
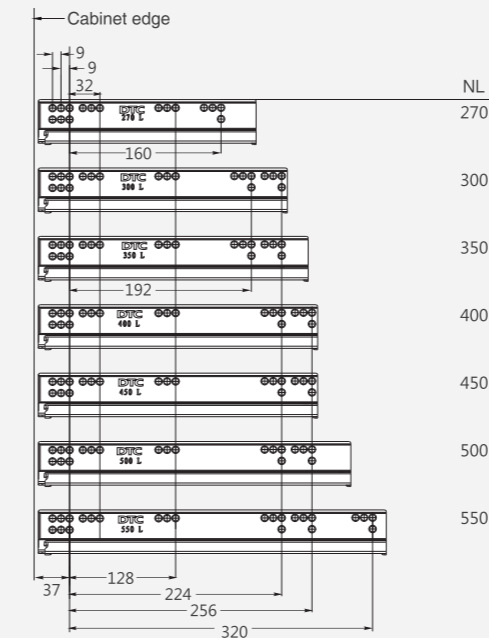
400, 450, 500, 550, 600, 900

1 ADD-ON COMPONENTS ORDER

Order M Height Glass Drawer Kit and Glass Boxside (See page 28) + Front Panel Components to make the Inner Drawer

DESCRIPTION	SILK WHITE	BLACK
Front Fixing Brackets	DM1-088IFXW	DM5-088IFXB
1100mm Front Panel	DM1-IP1100W	DM5-IP1100B

SCREW POSITIONS (MM)	INSTALLATION DIMENSIONS (MM)
----------------------	------------------------------

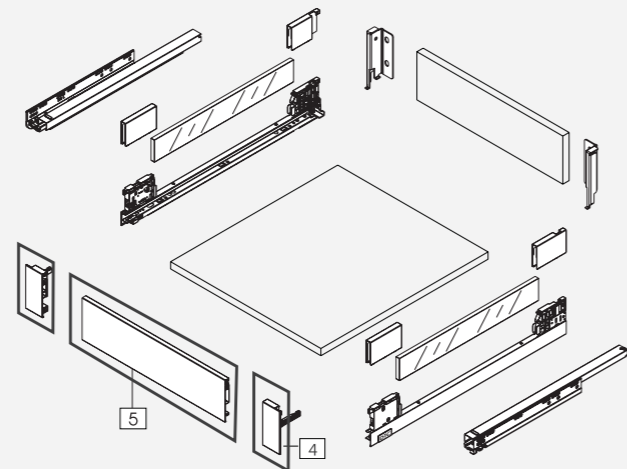


2 REQUIRED COMPONENTS TO MAKE INNER SYSTEM

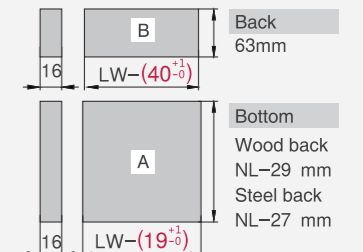
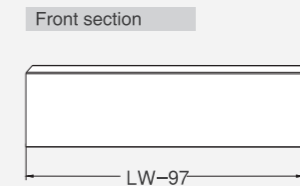
M Height Glass Drawer Kit
 (Silk White / Black) +
10mm Glass Boxside
 (Left/Right)
 See page 30

4 1 set **Front Fixing Brackets**
 (left / right)
 Replace these brackets over kit version

5 1 pc **1100mm Front Panel**
 Cutting: Internal cabinet width LW-97mm



GLASS SIDE DIMENSIONS	GLASS FRONT DIMENSIONS	BACK, BOTTOM DIMENSIONS
-----------------------	------------------------	-------------------------



Inner Glass Drawer

C Height - 172mm

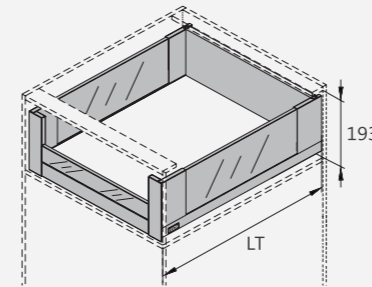
Concealed Full Extension
Load Capacity: 40kg
Finish: Silk White or Black
Glass Boxside: 10mm

3D Adjustment:
 Up & down adjustment: ±2mm
 Left & right adjustment: ±1.5mm
 Tilt adjustment: + 1.5, -2.5mm

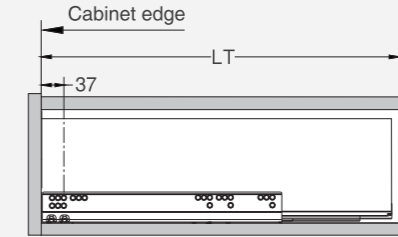


SPACE REQUIREMENT	PLANNING	CABINET WIDTHS (MM)
-------------------	----------	---------------------

LT = Internal Cabinet Depth
 LT = NL + 3



NL - Nominal Slide Length
 LT - Internal Cabinet Depth LT=NL+3
 Soft close slides/LT=NL+3



Standard drawer

400, 450, 500, 550, 600, 900

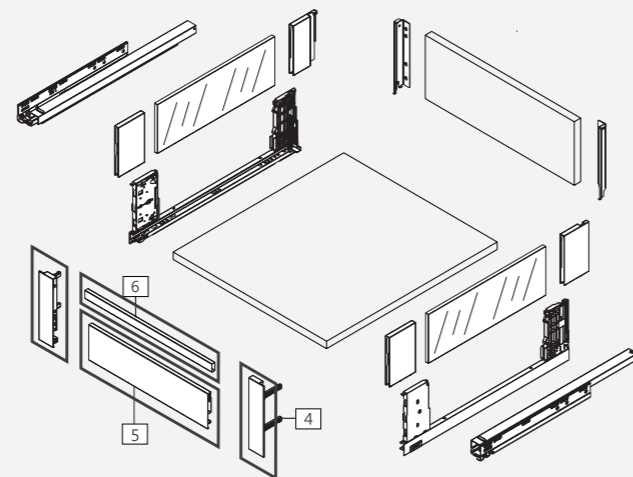
1 ADD-ON COMPONENTS ORDER

Order C Height Glass Drawer Kit and Glass Boxside (See page 30) + Front Panel Components to make the Inner Drawer

DESCRIPTION	SILK WHITE	BLACK
Front Fixing Brackets	DM1-172IFXW	DM5-172IFXB
1100mm Front Panel	DM1-IP1100W	DM5-IP1100B
1100mm Square Cross Rail	DM1-SQRAILW	DM5-SQRAILB

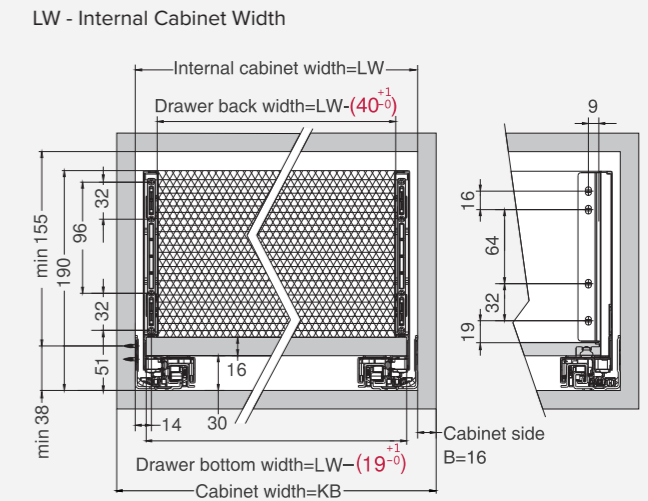
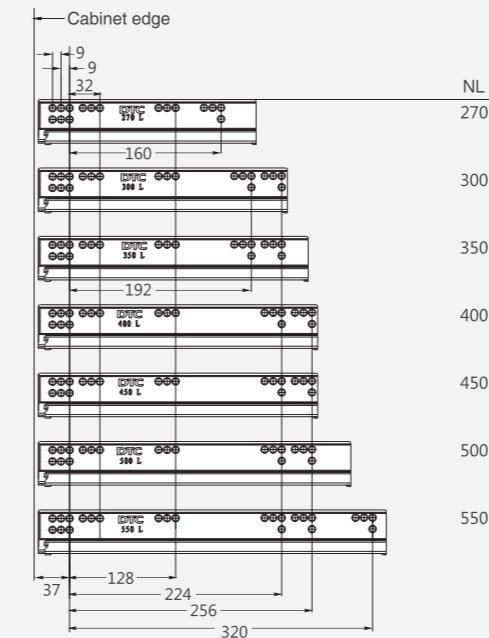
2 REQUIRED COMPONENTS TO MAKE INNER SYSTEM

C Height Glass Drawer Kit
 (Silk White / Black) +
10mm Glass Boxside
 (Left/Right)
 See page 32

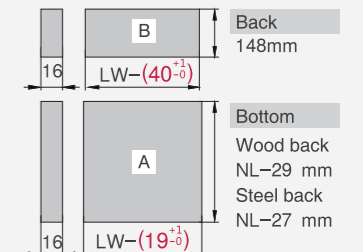
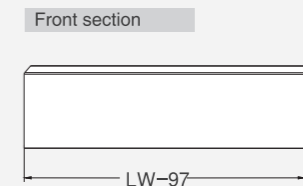
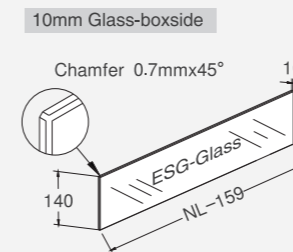


- 4 1 set **Front Fixing Brackets**
(left / right)
Replace these brackets over kit version
- 5 1 pc **1100mm Front Panel**
Cutting: Internal cabinet width LW-97mm
- 6 1 pc **1100mm Square Cross Rail**
Cutting: Internal cabinet width LW-72mm

SCREW POSITIONS (MM)	INSTALLATION DIMENSIONS (MM)
----------------------	------------------------------



GLASS SIDE DIMENSIONS	GLASS FRONT DIMENSIONS	BACK, BOTTOM DIMENSIONS
-----------------------	------------------------	-------------------------



Inner Glass Drawer

M Height - 88mm

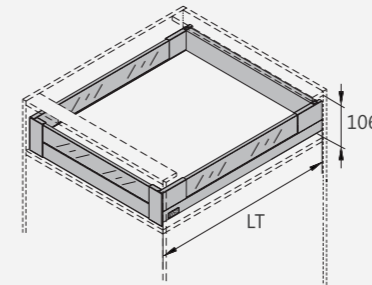
Concealed Full Extension
Load Capacity: 40kg
Finish: Silk White or Black
Glass Boxside: 10mm

3D Adjustment:
 Up & down adjustment: ±2mm
 Left & right adjustment: ±1.5mm
 Tilt adjustment: + 1.5, -2.5mm



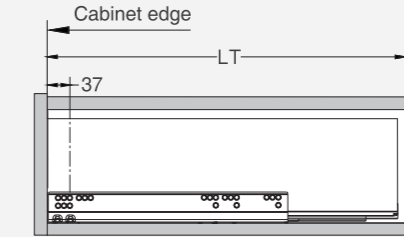
SPACE REQUIREMENT

LT = Internal Cabinet Depth
 LT = NL + 3



PLANNING

NL - Nominal Slide Length
 LT - Internal Cabinet Depth LT=NL+3
 Soft close slides/LT=NL+3



Standard drawer

CABINET WIDTHS (MM)

400, 450, 500, 550, 600, 800, 900

1 ADD-ON COMPONENTS ORDER

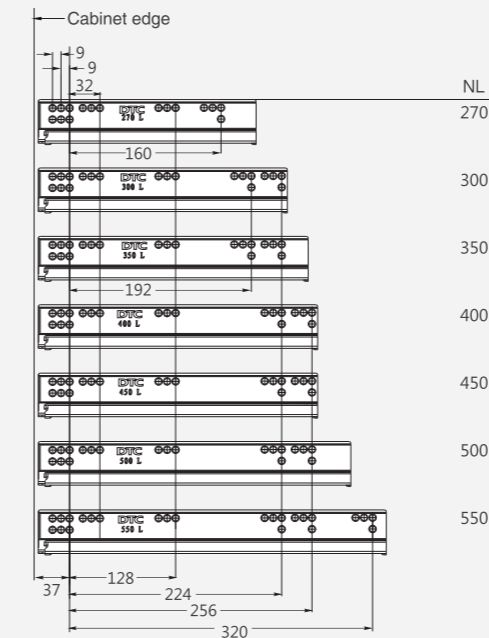
Order M Height Glass Drawer Kit and Glass Boxside (See page 28) + Front Panel Components to make the Inner Drawer

DESCRIPTION	SILK WHITE	BLACK
1100mm Inner Drawer Front Panel	DM3-GIP1100W	DM3-GIP1100B
46/88mm Front Fixing Brackets	DM3-WIFX088046	DM3-BIFX088046

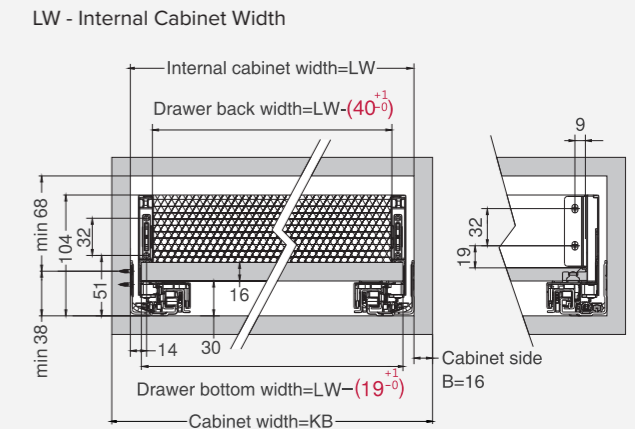
REQUIRED ADD-ON

DRAWER FRONT WIDTH, MM	10MM GLASS FRONT (46MM)
400	DM3-IFG08846400
450	DM3-IFG08846450
500	DM3-IFG08846500
600	DM3-IFG08846600
800	DM3-IFG08846800
900	DM3-IFG08846900

SCREW POSITIONS (MM)



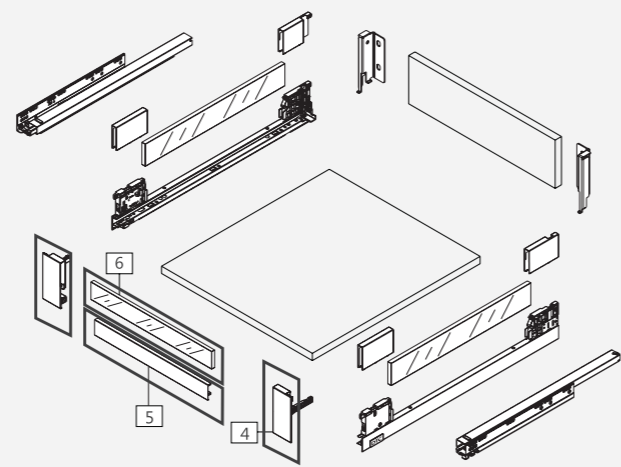
INSTALLATION DIMENSIONS (MM)



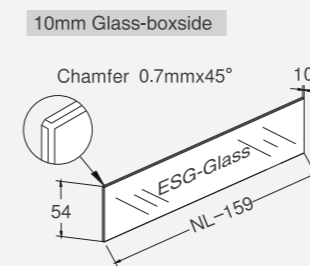
2 REQUIRED COMPONENTS TO MAKE INNER SYSTEM

M Height Glass Drawer Kit
 (Silk White / Black) +
10mm Glass Boxside
 (Left/Right)
 See page 30

- 4 1 set **46/88mm Front Fixing Brackets**
- 5 1 pc **1100mm Inner Drawer Front Panel**
- 6 1 pc **10mm Inner Glass Front (46mm)**



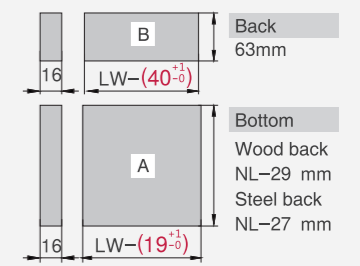
GLASS SIDE DIMENSIONS



GLASS FRONT DIMENSIONS



BACK, BOTTOM DIMENSIONS



Inner Glass Drawer - Low Glass Front

C Height - 172mm

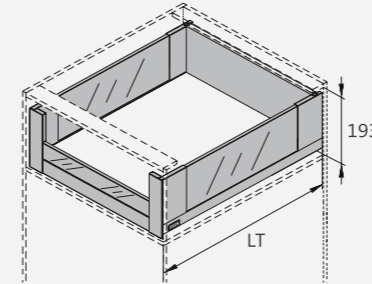
Concealed Full Extension
 Load Capacity: 40kg
 Finish: Silk White or Black
 Glass Boxside: 10mm

3D Adjustment:
 Up & down adjustment: ±2mm
 Left & right adjustment: ±1.5mm
 Tilt adjustment: + 1.5, -2.5mm



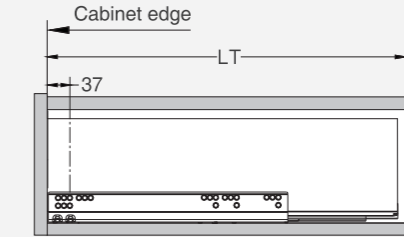
SPACE REQUIREMENT

LT = Internal Cabinet Depth
 LT = NL + 3



PLANNING

NL - Nominal Slide Length
 LT - Internal Cabinet Depth LT=NL+3
 Soft close slides/LT=NL+3



Standard drawer

CABINET WIDTHS (MM)

400, 450, 500, 550, 600, 800, 900

1 ADD-ON COMPONENTS ORDER

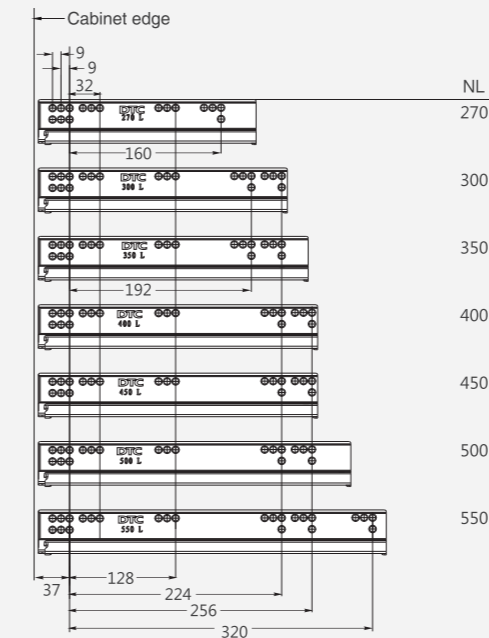
Order C Height Glass Drawer Kit and Glass Boxside (See page 30) + Front Panel Components to make the Inner Drawer

DESCRIPTION	SILK WHITE	BLACK
1100mm Inner Drawer Front Panel	DM3-GIP1100W	DM3-GIP1100B
46/172mm Front Fixing Brackets	DM3-WIFX172046	DM3-BIFX172046

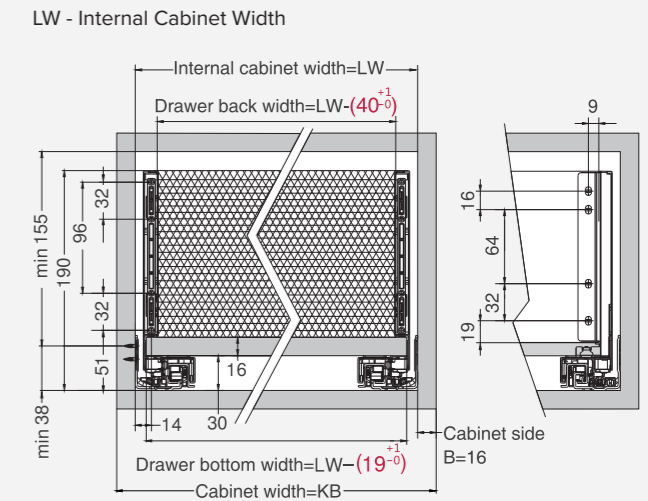
REQUIRED ADD-ON

DRAWER FRONT WIDTH, MM	10MM GLASS FRONT (46MM)
400	DM3-IFG08846400
450	DM3-IFG08846450
500	DM3-IFG08846500
600	DM3-IFG08846600
800	DM3-IFG08846800
900	DM3-IFG08846900

SCREW POSITIONS (MM)



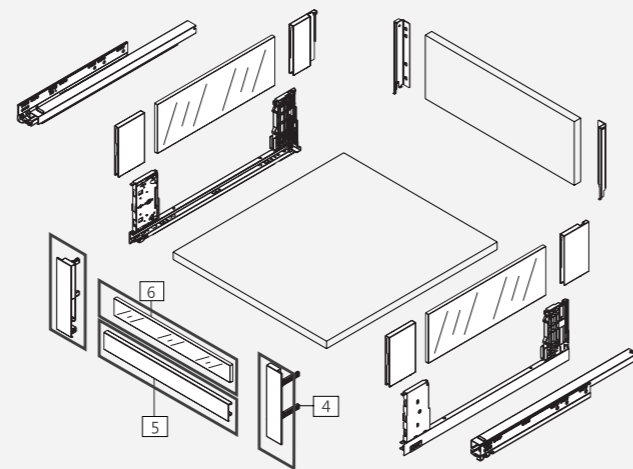
INSTALLATION DIMENSIONS (MM)



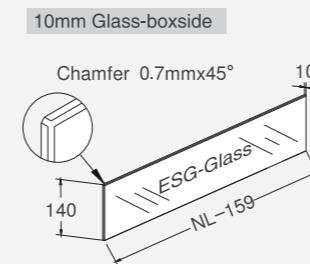
2 REQUIRED COMPONENTS TO MAKE INNER SYSTEM

C Height Glass Drawer Kit
 (Silk White / Black) +
 10mm Glass Boxside
 (Left/Right)
 See page 32

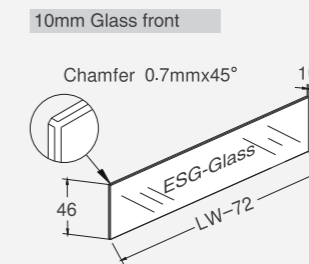
- 4 1 set **46/172mm Front Fixing Brackets**
- 5 1 pc **1100mm Inner Drawer Front Panel**
- 6 1 pc **10mm Inner Glass Front (46mm)**



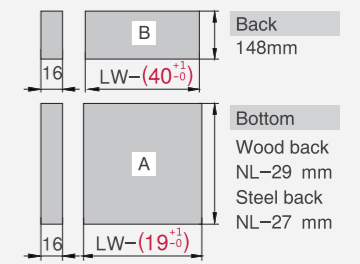
GLASS SIDE DIMENSIONS



GLASS FRONT DIMENSIONS



BACK, BOTTOM DIMENSIONS



Inner Glass Drawer - High Glass Front

C Height - 172mm

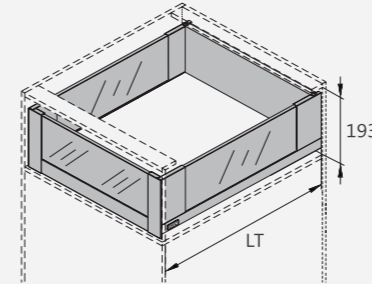
Concealed Full Extension
Load Capacity: 40kg
Finish: Silk White or Black
Glass Boxside: 10mm

3D Adjustment:
 Up & down adjustment: ±2mm
 Left & right adjustment: ±1.5mm
 Tilt adjustment: + 1.5, -2.5mm



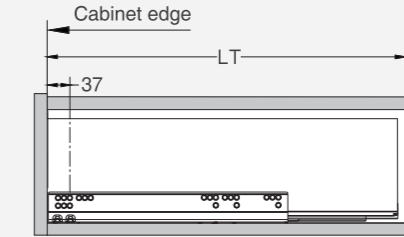
SPACE REQUIREMENT

LT = Internal Cabinet Depth
 LT = NL + 3



PLANNING

NL - Nominal Slide Length
 LT - Internal Cabinet Depth LT=NL+3
 Soft close slides/LT=NL+3



Standard drawer

CABINET WIDTHS (MM)

400, 450, 500, 550, 600, 800, 900

1 ADD-ON COMPONENTS ORDER

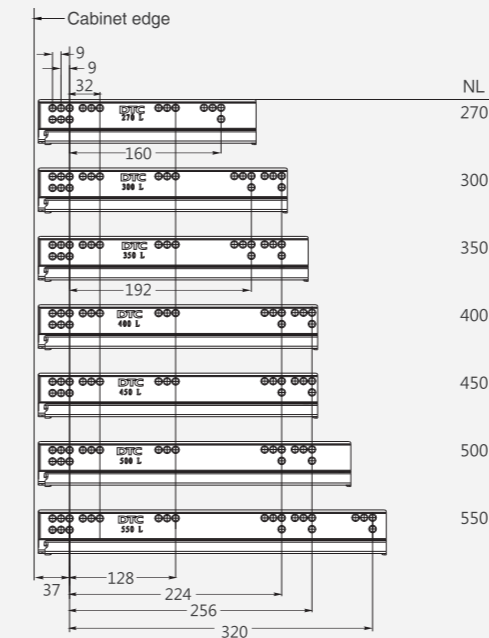
Order C Height Glass Drawer Kit and Glass Boxside (See page 30) + Front Panel Components to make the Inner Drawer

DESCRIPTION	SILK WHITE	BLACK
1100mm Inner Drawer Front Panel	DM3-GIP1100W	DM3-GIP1100B
132/172mm Front Fixing Brackets	DM3-WIFX172132	DM3-BIFX172132

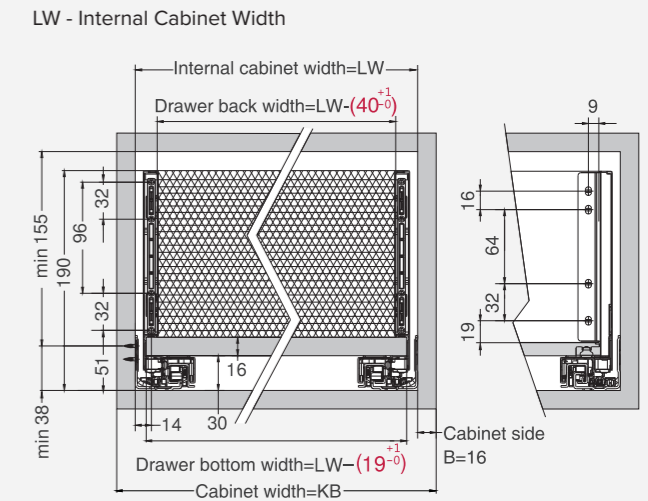
REQUIRED ADD-ON

DRAWER FRONT WIDTH, MM	10MM GLASS FRONT (132MM)
400	DM3-IFG172132400
450	DM3-IFG172132450
500	DM3-IFG172132500
600	DM3-IFG172132600
800	DM3-IFG172132800
900	DM3-IFG172132900

SCREW POSITIONS (MM)



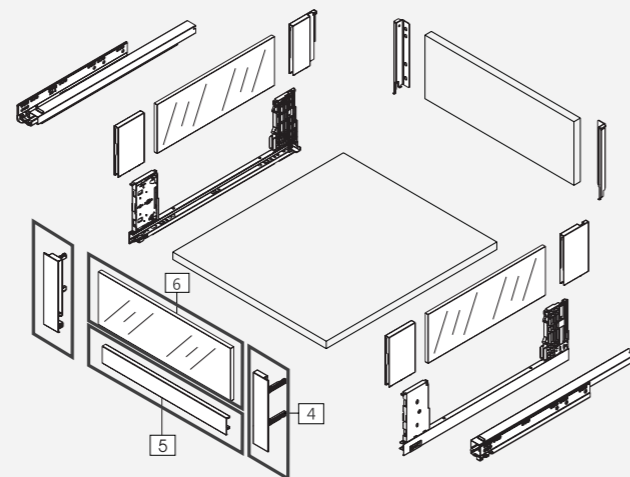
INSTALLATION DIMENSIONS (MM)



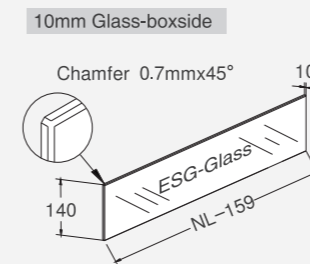
2 REQUIRED COMPONENTS TO MAKE INNER SYSTEM

C Height Glass Drawer Kit
 (Silk White / Black) +
10mm Glass Boxside
 (Left/Right)
 See page 32

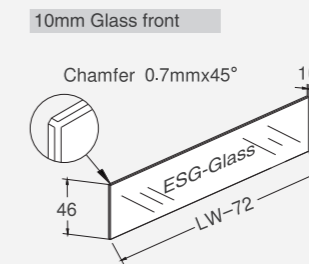
- 4 1 set **132/172mm Front Fixing Brackets**
- 5 1 pc **1100mm Inner Drawer Front Panel**
- 6 1 pc **10mm Inner Glass Front (132mm)**



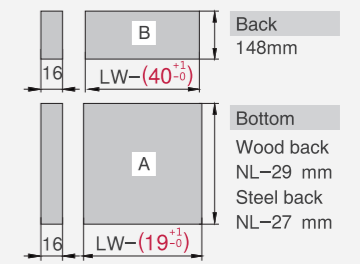
GLASS SIDE DIMENSIONS



GLASS FRONT DIMENSIONS



BACK, BOTTOM DIMENSIONS





Push Open Drawers

Concealed Full Extension

Tool Free Assembly and removal of drawer

Silent System guarantees smooth run without noise

Load Capacity 40kg

3D Adjustment

Low Drawer

M Height - 88mm

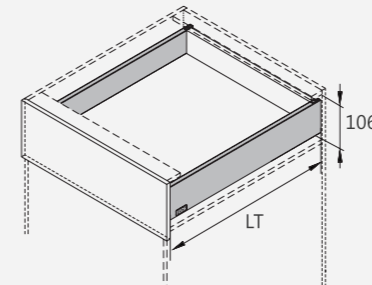
Concealed Full Extension
 Load Capacity: 40kg
 Finish: Silk White or Black

3D Adjustment:
 Up & down adjustment: ±2mm
 Left & right adjustment: ±1.5mm
 Tilt adjustment: + 1.5, -2.5mm



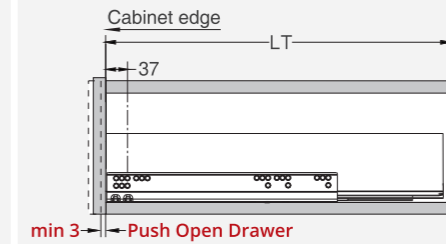
SPACE REQUIREMENT

LT = Internal Cabinet Depth
 LT = NL + 3



PLANNING

NL - Nominal Slide Length
 LT - Internal Cabinet Depth LT=NL+3
 Soft close slides/LT=NL+3



CABINET WIDTHS (MM)

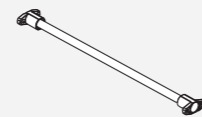
300, 350, 400, 450, 500, 600,
 800, 900, 1100, 1200

REQUIRED ELEMENT
 1100mm Synchronisation Rod
 recommended for cabinet widths
 800, 900, 1000 and 1200mm.

1 PUSH OPEN DRAWER KIT

DEPTH, MM	SILK WHITE	BLACK
400	DM4-W088400	DM4-B088400
450	DM4-W088450	DM4-B088450
500	DM4-W088500	DM4-B088500
550	DM4-W088550	-

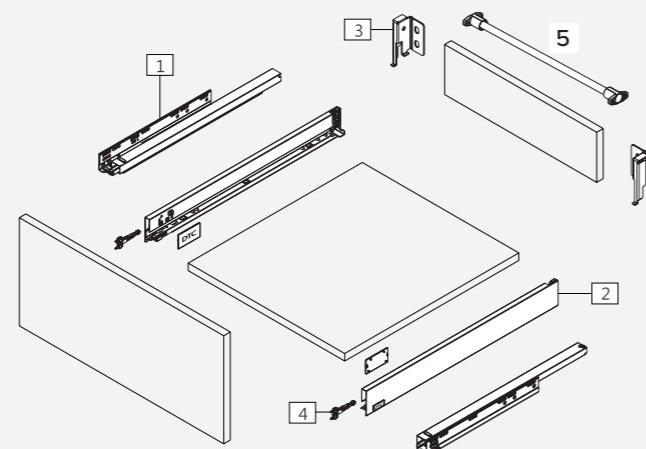
REQUIRED ADD-ON



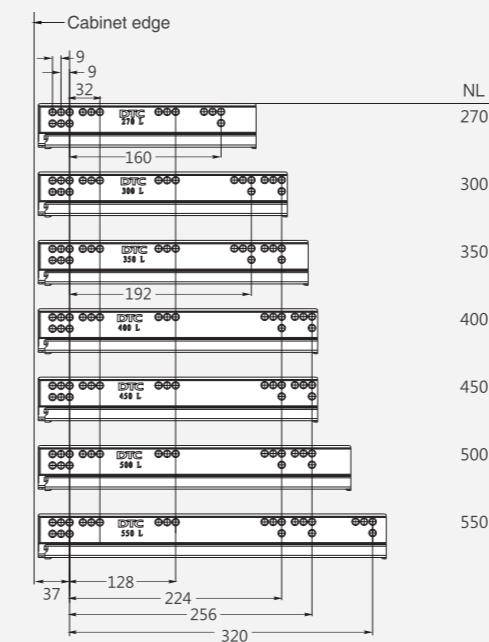
5
1100mm Synchronisation Rod
 DM4-SYNROD
 Cutting: Internal cabinet width LW-172

2 KIT CONTENT

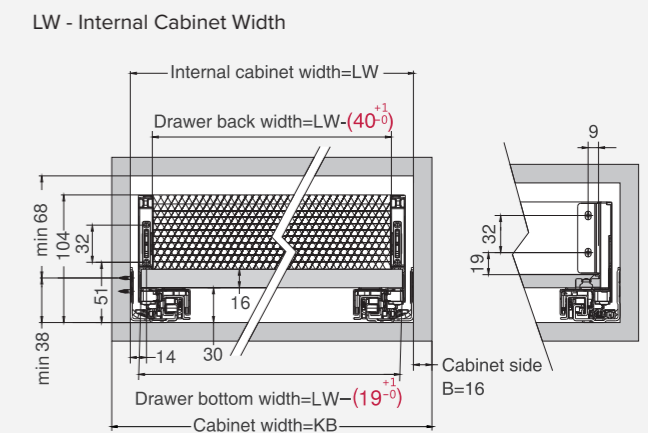
- 1** 1 set **Push to Open Slides** (left / right)
- 2** 1 set **Drawer Sides and Cover Caps** (left / right)
- 3** 1 set **Back Fixing Brackets** (left / right)
- 4** 1 set **Front Fixing Brackets** (left / right)



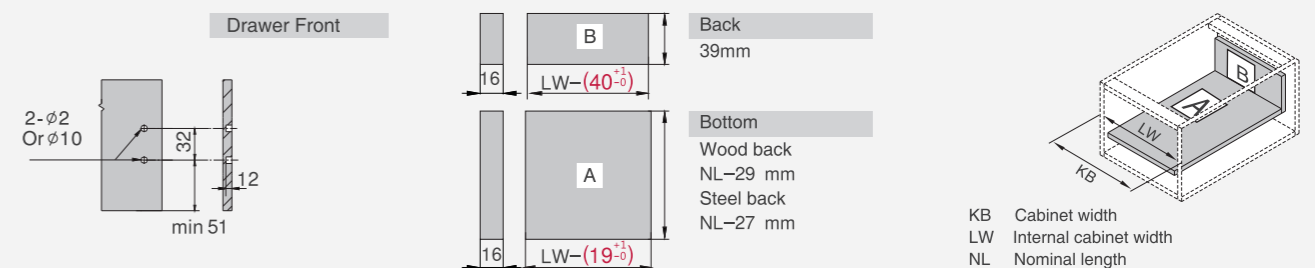
SCREW POSITIONS (MM)



INSTALLATION DIMENSIONS (MM)



DRAWER FRONT, BACK AND BOTTOM DIMENSIONS (MM)



Medium Drawer

K Height - 126mm

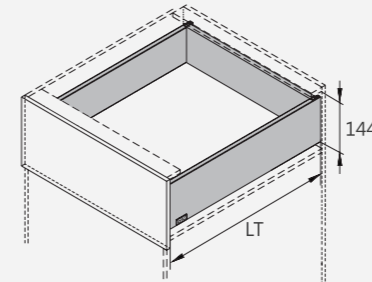
Concealed Full Extension
Load Capacity: 40kg
Finish: Silk White or Black

3D Adjustment:
 Up & down adjustment: ±2mm
 Left & right adjustment: ±1.5mm
 Tilt adjustment: + 1.5, -2.5mm



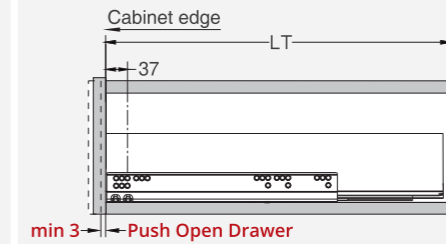
SPACE REQUIREMENT

LT = Internal Cabinet Depth
 LT = NL + 3



PLANNING

NL - Nominal Slide Length
 LT - Internal Cabinet Depth LT=NL+3
 Soft close slides/LT=NL+3



CABINET WIDTHS (MM)

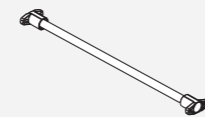
300, 350, 400, 450, 500, 600,
 800, 900, 1100, 1200

REQUIRED ELEMENT
 1100mm Synchronisation Rod
 recommended for cabinet widths
 800, 900, 1000 and 1200mm.

1 PUSH OPEN DRAWER KIT

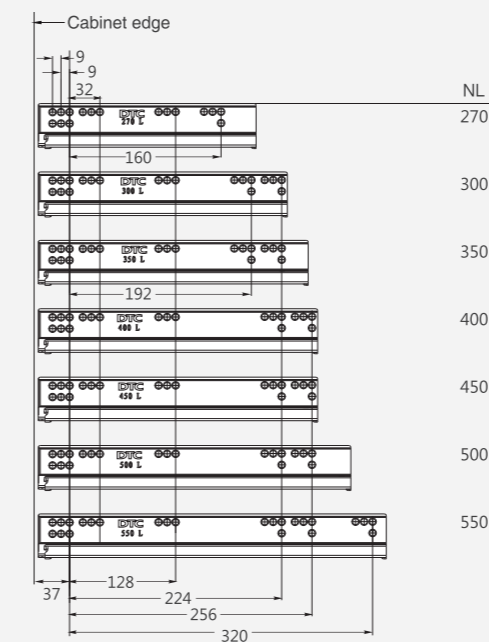
DEPTH, MM	SILK WHITE	BLACK
400	DM4-W126400	DM4-B126400
450	DM4-W126450	DM4-B126450
500	DM4-W126500	DM4-B126500
550	DM4-W126550	-

REQUIRED ADD-ON

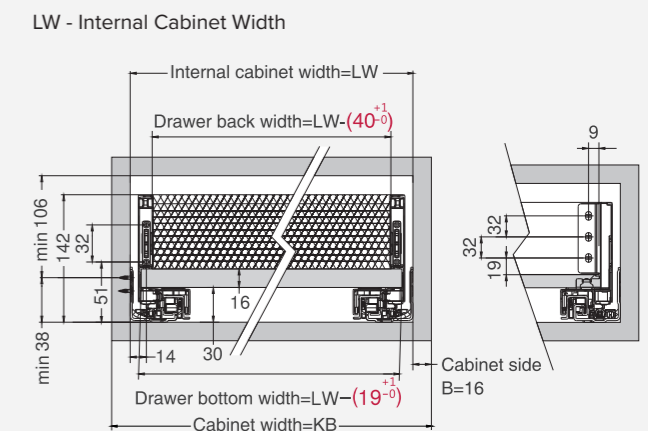


5
1100mm Synchronisation Rod
 DM4-SYNROD
 Cutting: Internal cabinet width LW-172

SCREW POSITIONS (MM)

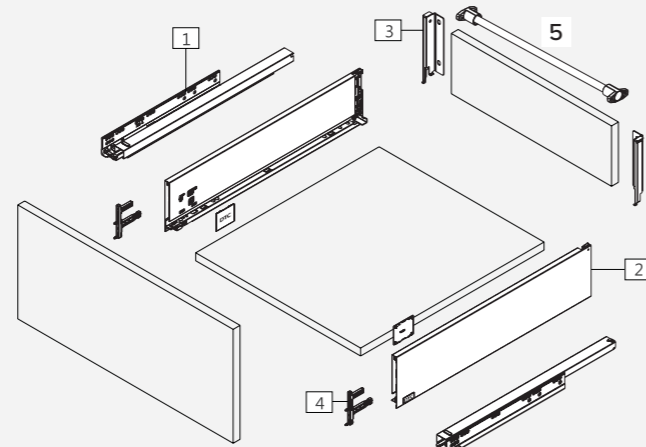


INSTALLATION DIMENSIONS (MM)

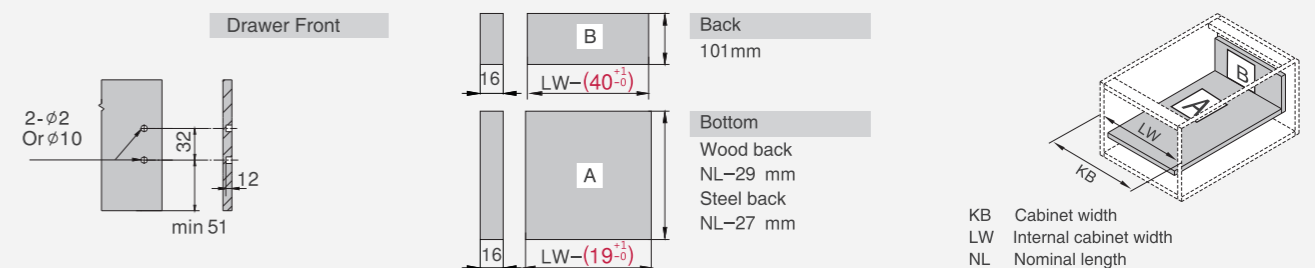


2 KIT CONTENT

- 1** 1 set **Push to Open Slides** (left / right)
- 2** 1 set **Drawer Sides and Cover Caps** (left / right)
- 3** 1 set **Back Fixing Brackets** (left / right)
- 4** 1 set **Front Fixing Brackets** (left / right)



DRAWER FRONT, BACK AND BOTTOM DIMENSIONS (MM)



Super High Drawer

F Height - 238mm

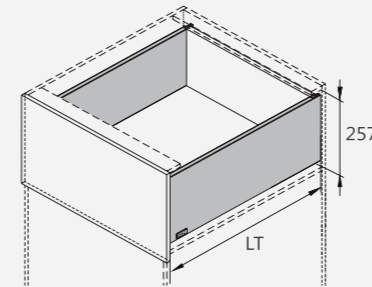
Concealed Full Extension
 Load Capacity: 40kg
 Finish: Silk White or Black

3D Adjustment:
 Up & down adjustment: ±2mm
 Left & right adjustment: ±1.5mm
 Tilt adjustment: + 1.5, -2.5mm



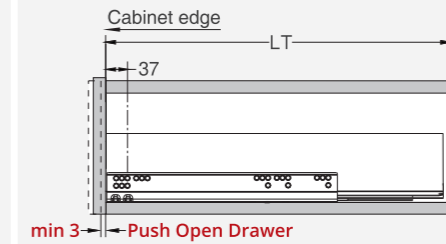
SPACE REQUIREMENT

LT = Internal Cabinet Depth
 LT = NL + 3



PLANNING

NL - Nominal Slide Length
 LT - Internal Cabinet Depth LT=NL+3
 Soft close slides/LT=NL+3



CABINET WIDTHS (MM)

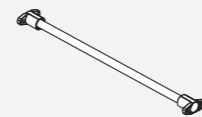
300, 350, 400, 450, 500, 600,
 800, 900, 1100, 1200

REQUIRED ELEMENT
 1100mm Synchronisation Rod
 recommended for cabinet widths
 800, 900, 1000 and 1200mm.

1 PUSH OPEN DRAWER KIT

DEPTH, MM	SILK WHITE	BLACK
400	DM4-W238400	DM4-B238400
450	DM4-W238450	DM4-B238450
500	DM4-W238500	DM4-B238500
550	DM4-W238550	-

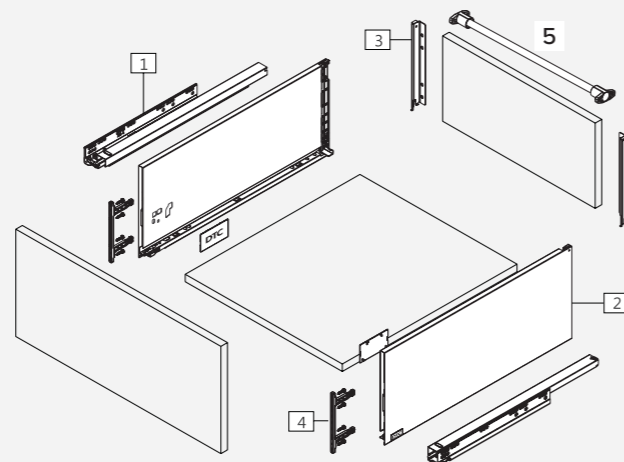
REQUIRED ADD-ON



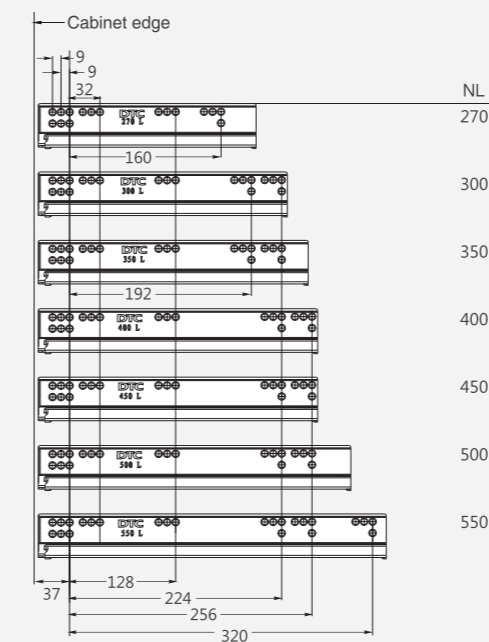
5
1100mm Synchronisation Rod
 DM4-SYNROD
 Cutting: Internal cabinet width LW-172

2 KIT CONTENT

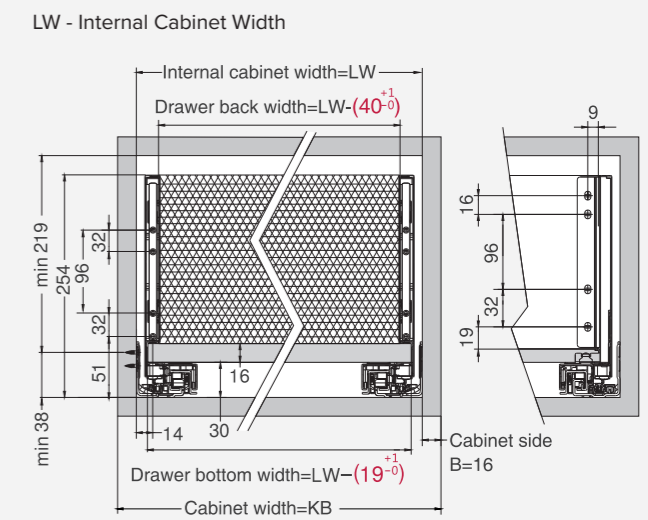
- 1** 1 set **Push to Open Slides** (left / right)
- 2** 1 set **Drawer Sides and Cover Caps** (left / right)
- 3** 1 set **Back Fixing Brackets** (left / right)
- 4** 1 set **Front Fixing Brackets** (left / right)



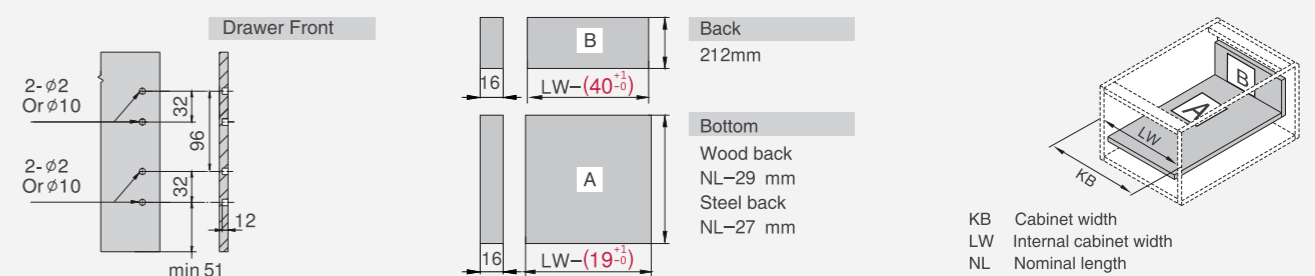
SCREW POSITIONS (MM)



INSTALLATION DIMENSIONS (MM)



DRAWER FRONT, BACK AND BOTTOM DIMENSIONS (MM)



KB Cabinet width
 LW Internal cabinet width
 NL Nominal length

Low Inner Drawer

M Height - 88mm

Concealed Full Extension

Load Capacity: 40kg

Finish: Silk White or Black

3D Adjustment:

Up & down adjustment: ±2mm

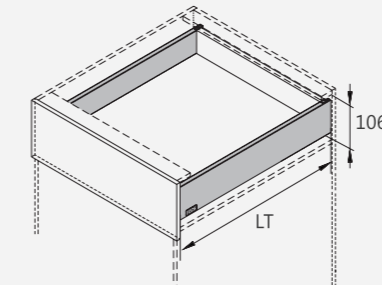
Left & right adjustment: ±1.5mm

Tilt adjustment: + 1.5, -2.5mm



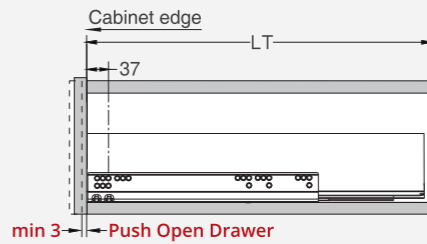
SPACE REQUIREMENT

LT = Internal Cabinet Depth
LT = NL + 3



PLANNING

NL - Nominal Slide Length
LT - Internal Cabinet Depth LT=NL+3
Soft close slides/LT=NL+3



CABINET WIDTHS (MM)

300, 350, 400, 450, 500, 600,
800, 900, 1100, 1200

REQUIRED ELEMENT

1100mm Synchronisation Rod
recommended for cabinet widths
800, 900, 1000 and 1200mm.

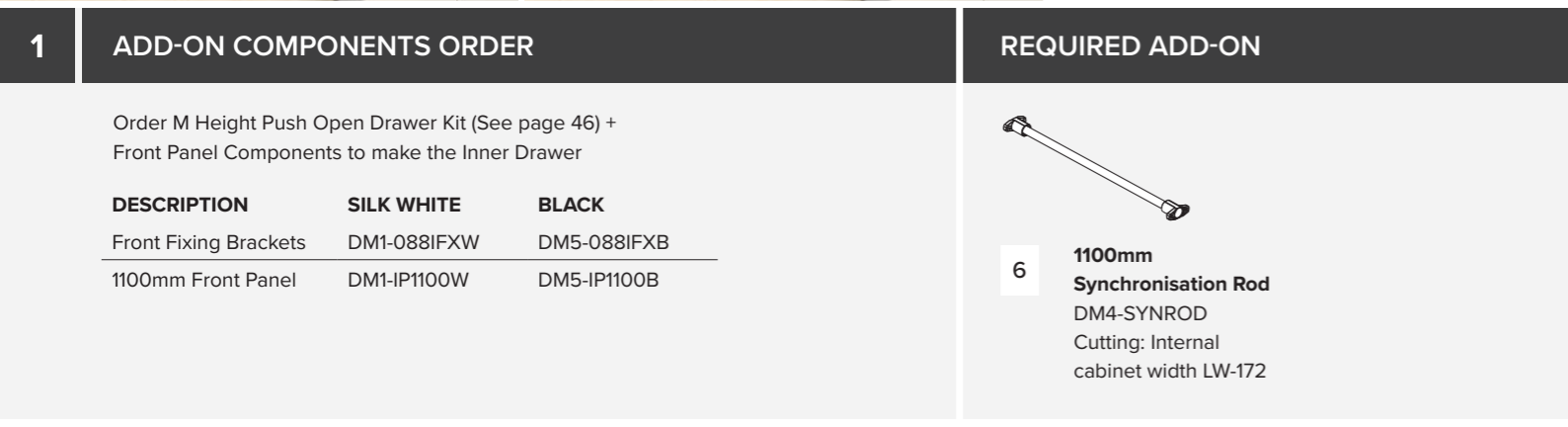
1 ADD-ON COMPONENTS ORDER

Order M Height Push Open Drawer Kit (See page 46) +
Front Panel Components to make the Inner Drawer

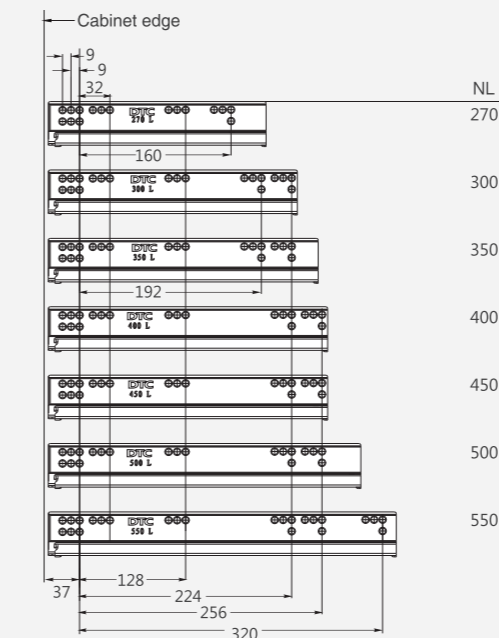
DESCRIPTION	SILK WHITE	BLACK
Front Fixing Brackets	DM1-088IFXW	DM5-088IFXB
1100mm Front Panel	DM1-IP1100W	DM5-IP1100B

REQUIRED ADD-ON

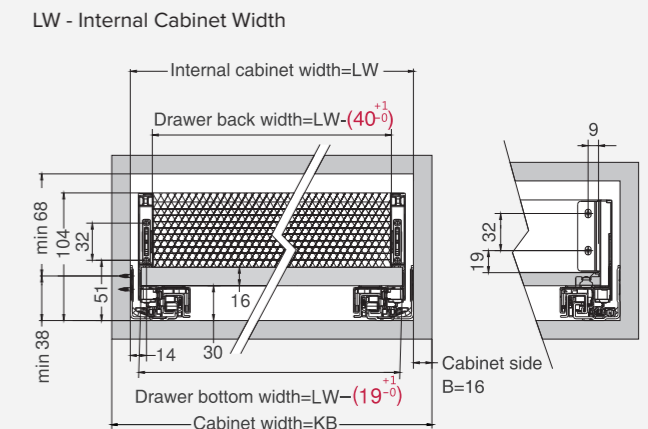
6
1100mm Synchronisation Rod
DM4-SYNROD
Cutting: Internal cabinet width LW-172



SCREW POSITIONS (MM)

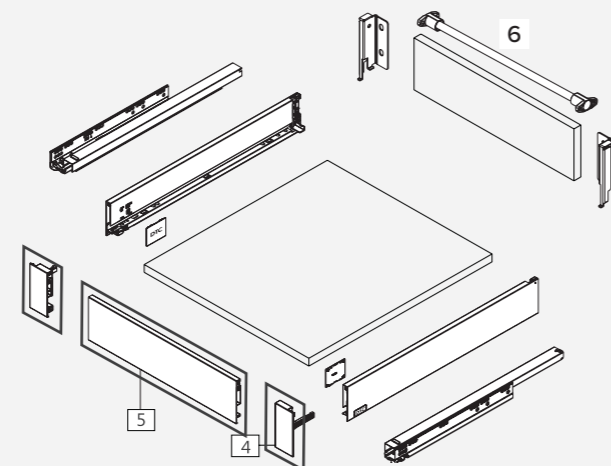


INSTALLATION DIMENSIONS (MM)

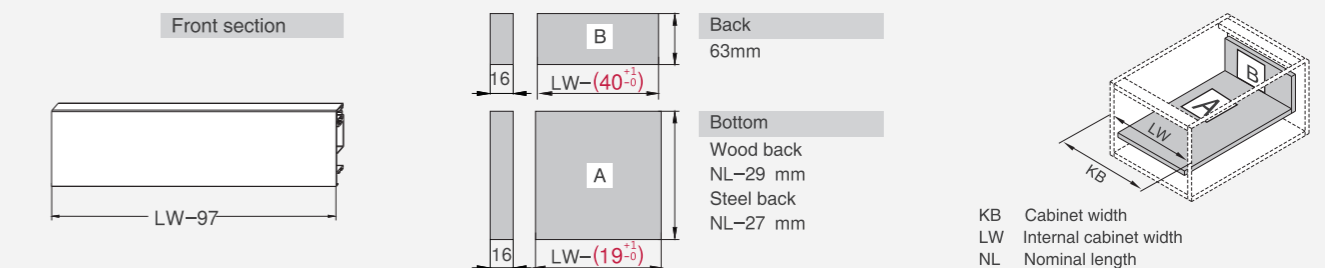


2 REQUIRED COMPONENTS TO MAKE INNER SYSTEM

- 1** **M Height Drawer Kit**
(Silk White / Black) (Push to Open Slides)
See page 46
- 4** 1 set **Front Fixing Brackets** (left / right)
Replace these brackets over kit version
- 5** 1 pc **1100mm Front Panel**
Cutting: Internal cabinet width LW-97mm



DRAWER FRONT, BACK AND BOTTOM DIMENSIONS (MM)



Medium Inner Drawer

K Height - 126mm

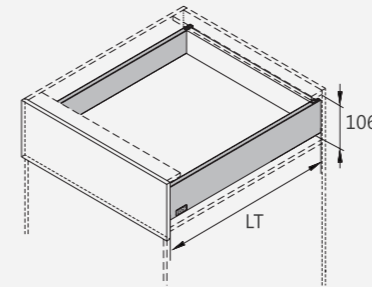
Concealed Full Extension
Load Capacity: 40kg
Finish: Silk White or Black

3D Adjustment:
 Up & down adjustment: ±2mm
 Left & right adjustment: ±1.5mm
 Tilt adjustment: + 1.5, -2.5mm



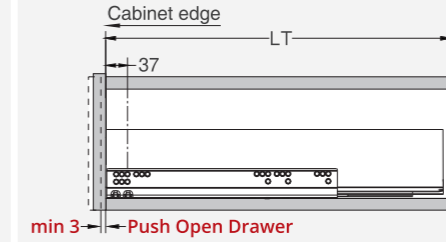
SPACE REQUIREMENT

LT = Internal Cabinet Depth
 LT = NL + 3



PLANNING

NL - Nominal Slide Length
 LT - Internal Cabinet Depth LT=NL+3
 Soft close slides/LT=NL+3



CABINET WIDTHS (MM)

300, 350, 400, 450, 500, 600, 800, 900, 1100, 1200

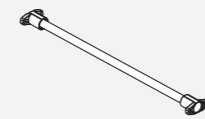
REQUIRED ELEMENT
 1100mm Synchronisation Rod recommended for cabinet widths 800, 900, 1000 and 1200mm.

1 ADD-ON COMPONENTS ORDER

Order M Height Push Open Drawer Kit (See page 46) + Front Panel Components to make the Inner Drawer

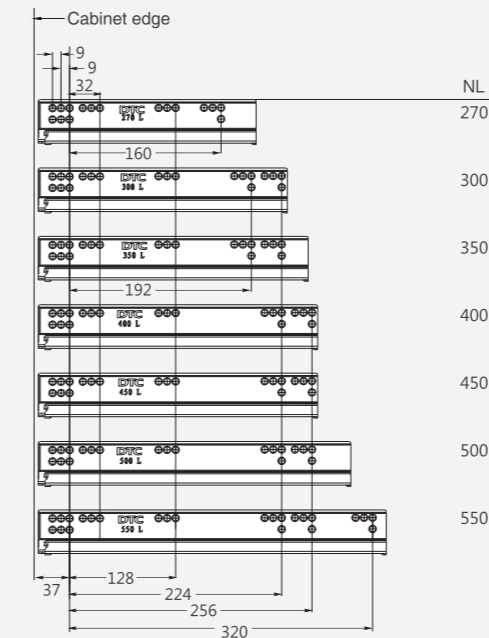
DESCRIPTION	SILK WHITE	BLACK
Front Fixing Brackets	DM1-088IFXW	DM5-088IFXB
1100mm Front Panel	DM1-IP1100W	DM5-IP1100B

REQUIRED ADD-ON

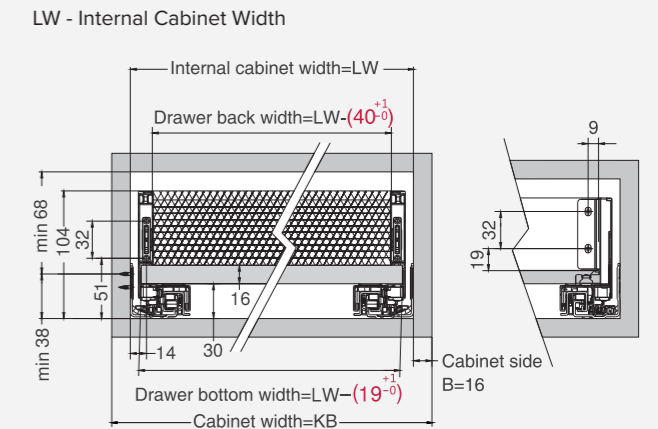


6 **1100mm Synchronisation Rod**
 DM4-SYNROD
 Cutting: Internal cabinet width LW-172

SCREW POSITIONS (MM)

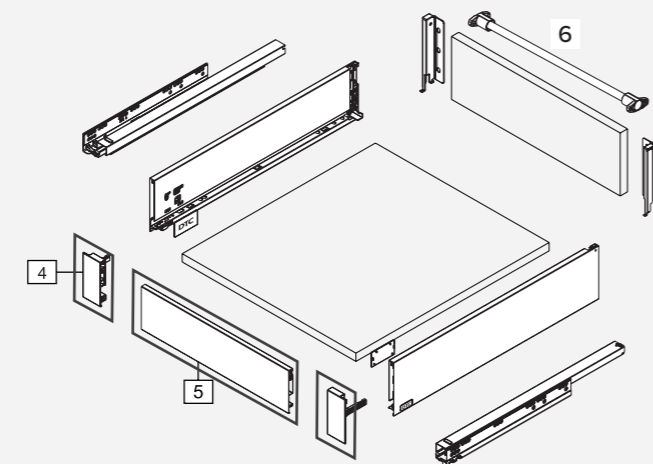


INSTALLATION DIMENSIONS (MM)

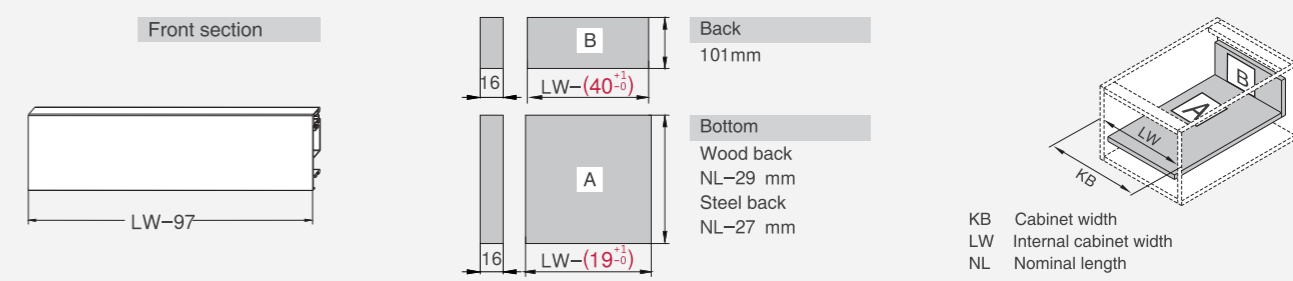


2 REQUIRED COMPONENTS TO MAKE INNER SYSTEM

- 1** **M Height Drawer Kit**
 (Silk White / Black) (Push to Open Slides)
 See page 46
- 4** **1 set Front Fixing Brackets** (left / right)
 Replace these brackets over kit version
- 5** **1 pc 1100mm Front Panel**
 Cutting: Internal cabinet width LW-97mm



DRAWER FRONT, BACK AND BOTTOM DIMENSIONS (MM)



High Inner Drawer

C Height - 172mm

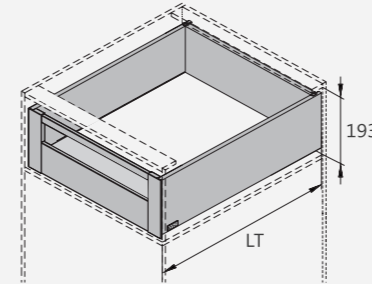
Concealed Full Extension
 Load Capacity: 40kg
 Finish: Silk White or Black

3D Adjustment:
 Up & down adjustment: ±2mm
 Left & right adjustment: ±1.5mm
 Tilt adjustment: + 1.5, -2.5mm



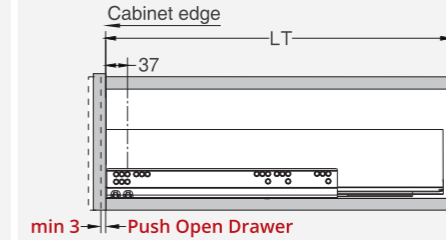
SPACE REQUIREMENT

LT = Internal Cabinet Depth
 LT = NL + 3



PLANNING

NL - Nominal Slide Length
 LT - Internal Cabinet Depth LT=NL+3
 Soft close slides/LT=NL+3



CABINET WIDTHS (MM)

300, 350, 400, 450, 500, 600,
 800, 900, 1100, 1200

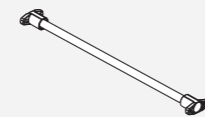
REQUIRED ELEMENT
 1100mm Synchronisation Rod
 recommended for cabinet widths
 800, 900, 1000 and 1200mm.

1 ADD-ON COMPONENTS ORDER

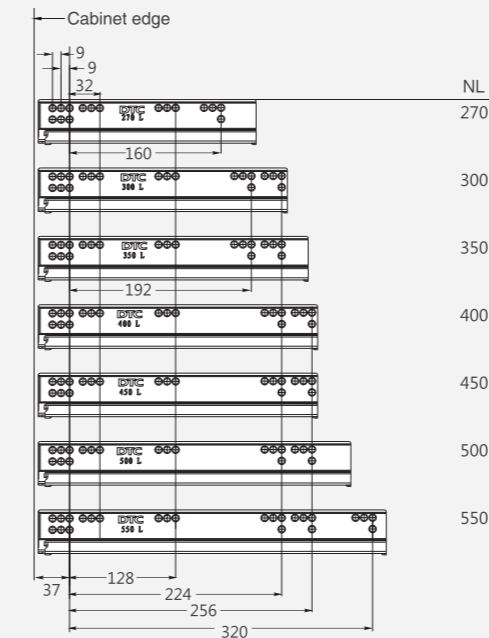
Order C Height Push Open Drawer Kit (See page 50) +
 Front Panel Components to make the Inner Drawer

DESCRIPTION	SILK WHITE	BLACK
Front Fixing Brackets	DM1-172IFXW	DM5-172IFXB
1100mm Front Panel	DM1-IP1100W	DM5-IP1100B
Square Cross Rail	DM1-SQRILW	DM5-SQRILB

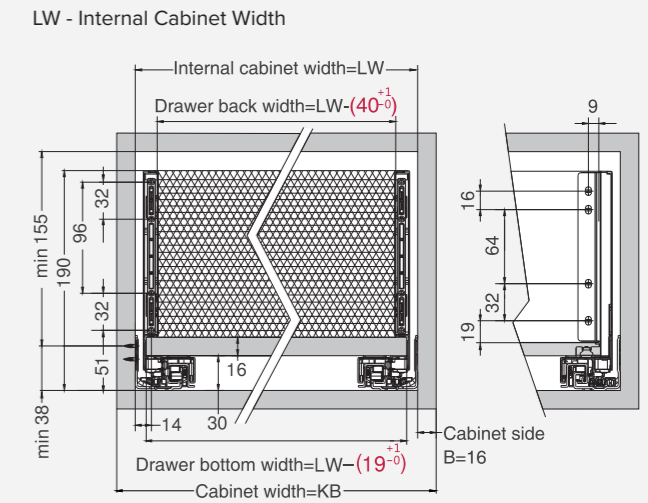
REQUIRED ADD-ON SCREW POSITIONS (MM)



7
1100mm Synchronisation Rod
 DM4-SYNROD
 Cutting: Internal cabinet width LW-172



INSTALLATION DIMENSIONS (MM)



2 REQUIRED COMPONENTS TO MAKE INNER SYSTEM

1
C Height Drawer Kit
 (Silk White / Black) (Push to Open Slides)
 See page 50

4

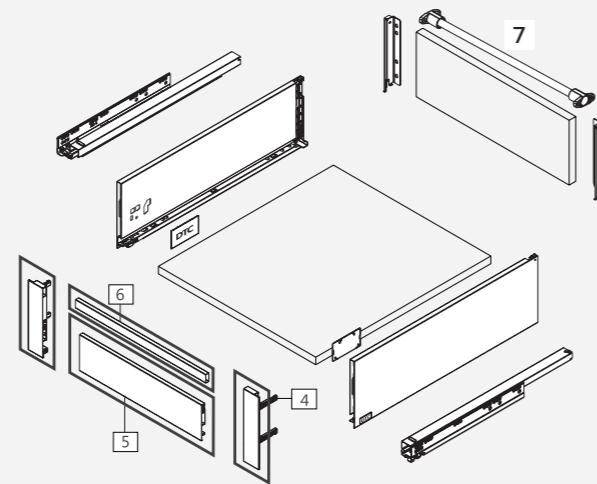
 1 set **Front Fixing Brackets** (left / right)
 Replace these brackets over kit version

5

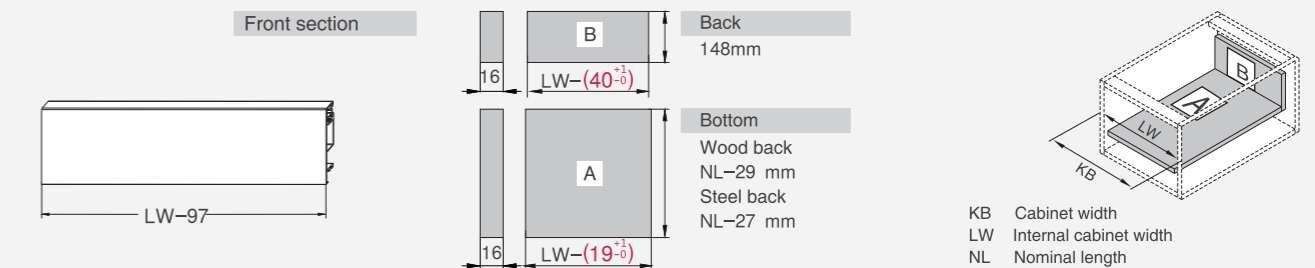
 1 pc **1100mm Front Panel**
 Cutting: Internal cabinet width LW-97mm

6

 1 pc **1100mm Square Cross Rail**
 Cutting: Internal cabinet width LW-72mm



DRAWER FRONT, BACK AND BOTTOM DIMENSIONS (MM)



Inner Glass Front Drawer

M Height - 88mm

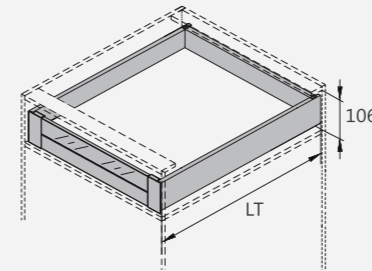
Concealed Full Extension
Load Capacity: 40kg
Finish: Silk White or Black

3D Adjustment:
 Up & down adjustment: ±2mm
 Left & right adjustment: ±1.5mm
 Tilt adjustment: + 1.5, -2.5mm



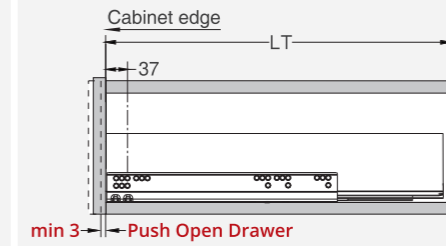
SPACE REQUIREMENT

LT = Internal Cabinet Depth
 LT = NL + 3



PLANNING

NL - Nominal Slide Length
 LT - Internal Cabinet Depth LT=NL+3
 Soft close slides/LT=NL+3



CABINET WIDTHS (MM)

400, 450, 500, 550, 600, 800, 900

REQUIRED ELEMENT
 1100mm Synchronisation Rod
 recommended for cabinet widths
 800, 900, 1000 and 1200mm.

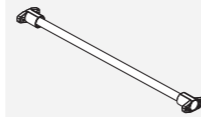
1 ADD-ON COMPONENTS ORDER

Order M Height Push Open Drawer Kit (See page 46) + Front Panel Components to make the Inner Drawer

DESCRIPTION	SILK WHITE	BLACK
1100mm Inner Drawer Front Panel	DM3-GIP1100W	DM3-GIP1100B
46/88mm Front Fixing Brackets	DM3-WIFX088046	DM3-BIFX088046

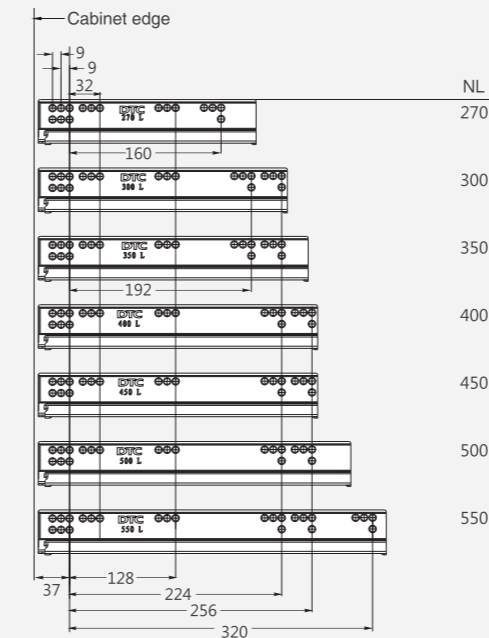
REQUIRED ADD-ONS

DRAWER FRONT WIDTH, MM	10MM GLASS FRONT (46MM)
400	DM3-IFG08846400
450	DM3-IFG08846450
500	DM3-IFG08846500
600	DM3-IFG08846600
800	DM3-IFG08846800
900	DM3-IFG08846900

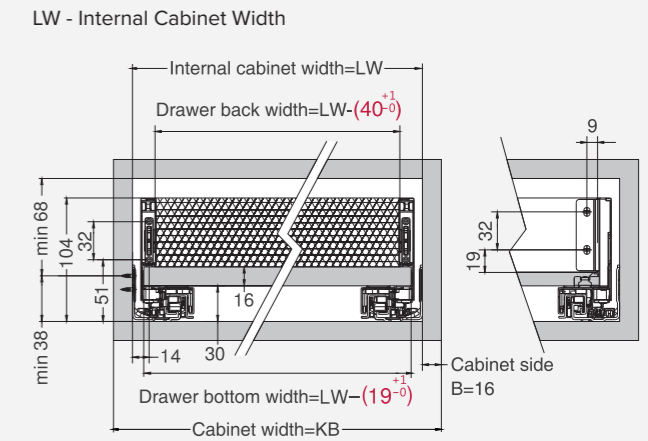


7 1100mm Synchronisation Rod
 DM4-SYNROD
 Cutting: Internal cabinet width LW-172

SCREW POSITIONS (MM)

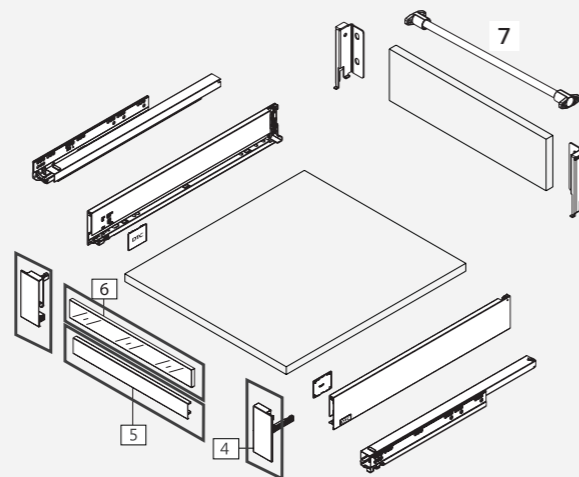


INSTALLATION DIMENSIONS (MM)

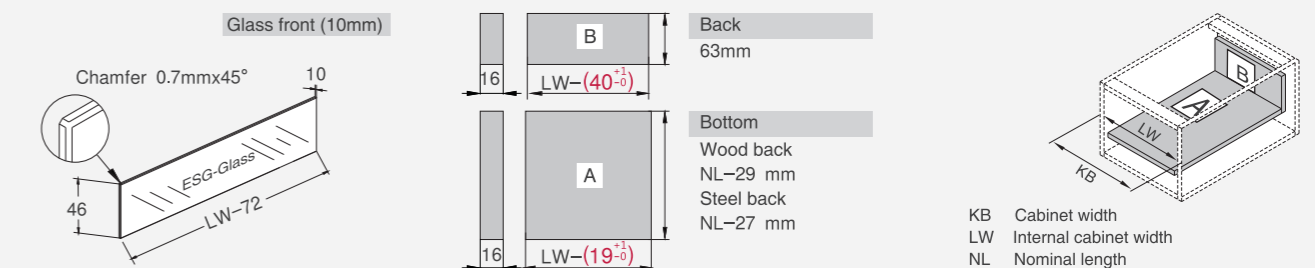


2 REQUIRED COMPONENTS TO MAKE INNER SYSTEM

- M Height Drawer Kit**
(Silk White / Black)
(Push to Open Slides)
See page 46
- 1 set **46/88mm Front Fixing Brackets**
- 1 pc **1100mm Inner Drawer Front Panel**
- 1 pc **10mm Inner Glass Front (46mm)**



DRAWER FRONT, BACK AND BOTTOM DIMENSIONS (MM)



Inner Low Glass Front Drawer

C Height - 172mm

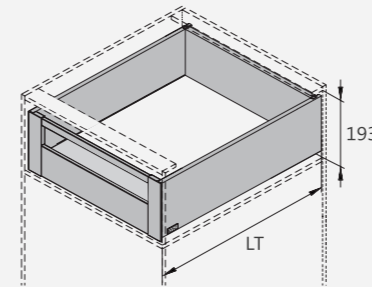
Concealed Full Extension
Load Capacity: 40kg
Finish: Silk White or Black

3D Adjustment:
 Up & down adjustment: ±2mm
 Left & right adjustment: ±1.5mm
 Tilt adjustment: + 1.5, -2.5mm



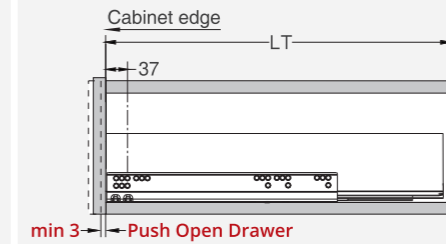
SPACE REQUIREMENT

LT = Internal Cabinet Depth
 LT = NL + 3



PLANNING

NL - Nominal Slide Length
 LT - Internal Cabinet Depth LT=NL+3
 Soft close slides/LT=NL+3



CABINET WIDTHS (MM)

400, 450, 500, 550, 600, 800, 900

REQUIRED ELEMENT
 1100mm Synchronisation Rod
 recommended for cabinet widths
 800, 900, 1000 and 1200mm.

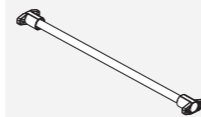
1 ADD-ON COMPONENTS ORDER

Order C Height Push Open Drawer Kit (See page 50) + Front Panel Components to make the Inner Drawer

DESCRIPTION	SILK WHITE	BLACK
1100mm Inner Drawer Front Panel	DM3-GIP1100W	DM3-GIP1100B
46/172mm Front Fixing Brackets	DM3-WIFX172046	DM3-BIFX172046

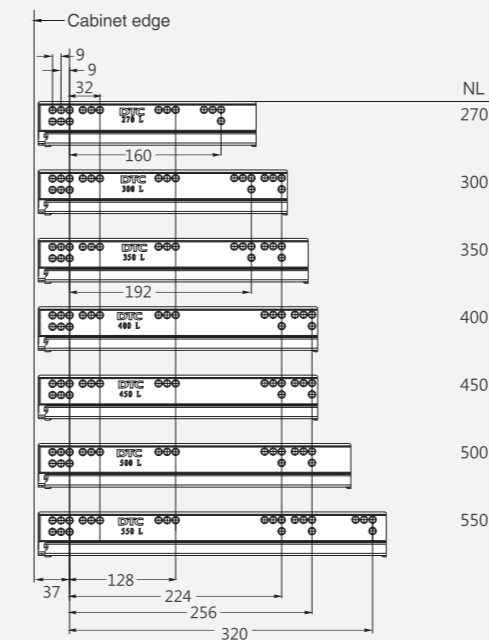
REQUIRED ADD-ONS

DRAWER FRONT WIDTH, MM	10MM GLASS FRONT (46MM)
400	DM3-IFG08846400
450	DM3-IFG08846450
500	DM3-IFG08846500
600	DM3-IFG08846600
800	DM3-IFG08846800
900	DM3-IFG08846900

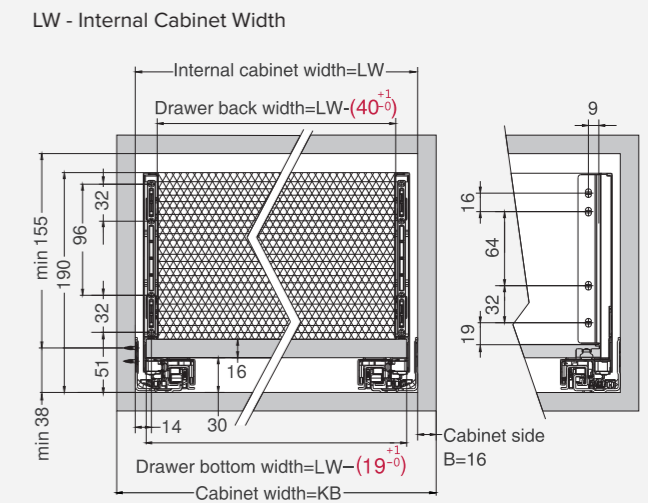


7 1100mm Synchronisation Rod
 DM4-SYNROD
 Cutting: Internal cabinet width LW-172

SCREW POSITIONS (MM)



INSTALLATION DIMENSIONS (MM)



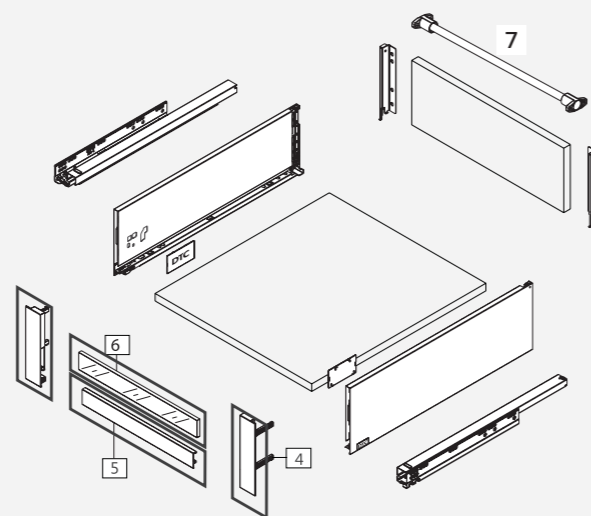
2 REQUIRED COMPONENTS TO MAKE INNER SYSTEM

1 C Height Glass Drawer Kit
 (Silk White / Black)
 (Push to Open Slides) +
10mm Glass Boxside
 (Left/Right)
 See page 50

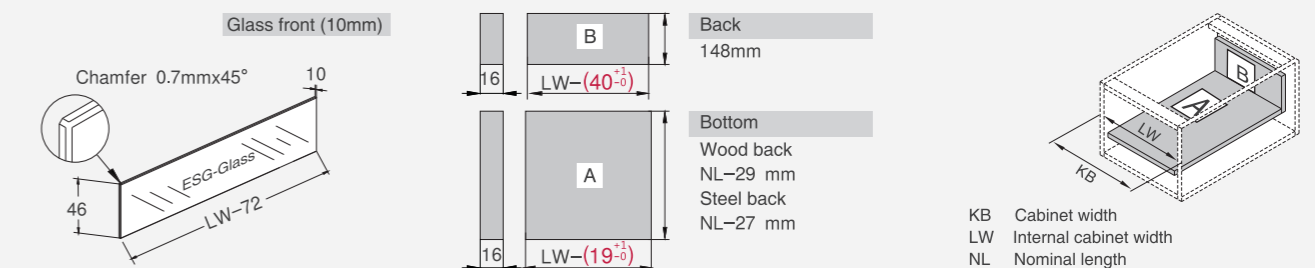
4 1 set 46/172mm Front Fixing Brackets

5 1 pc 1100mm Inner Drawer Front Panel

6 1 pc 10mm Inner Glass Front (46mm)



DRAWER FRONT, BACK AND BOTTOM DIMENSIONS (MM)



KB Cabinet width
 LW Internal cabinet width
 NL Nominal length

Inner High Glass Front Drawer

C Height - 172mm

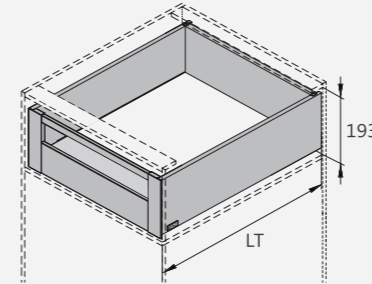
Concealed Full Extension
 Load Capacity: 40kg
 Finish: Silk White or Black

3D Adjustment:
 Up & down adjustment: ±2mm
 Left & right adjustment: ±1.5mm
 Tilt adjustment: + 1.5, -2.5mm



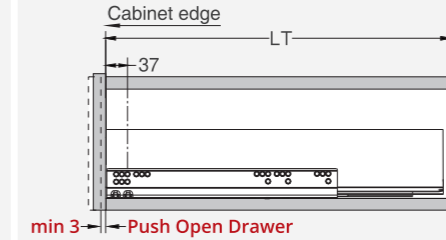
SPACE REQUIREMENT

LT = Internal Cabinet Depth
 LT = NL + 3



PLANNING

NL - Nominal Slide Length
 LT - Internal Cabinet Depth LT=NL+3
 Soft close slides/LT=NL+3



CABINET WIDTHS (MM)

400, 450, 500, 550, 600, 800, 900

REQUIRED ELEMENT
 1100mm Synchronisation Rod
 recommended for cabinet widths
 800, 900, 1000 and 1200mm.

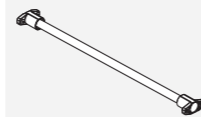
1 ADD-ON COMPONENTS ORDER

Order C Height Push Open Drawer Kit (See page 50) + Front Panel Components to make the Inner Drawer

DESCRIPTION	SILK WHITE	BLACK
1100mm Inner Drawer Front Panel	DM3-GIP1100W	DM3-GIP1100B
132/172mm Front Fixing Brackets	DM3-WIFX172132	DM3-BIFX172132

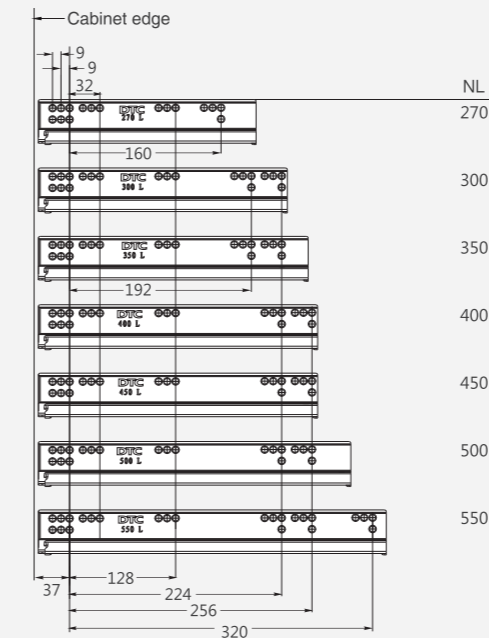
REQUIRED ADD-ONS

DRAWER FRONT WIDTH, MM	10MM GLASS FRONT (132MM)
400	DM3-IFG172132400
450	DM3-IFG172132450
500	DM3-IFG172132500
600	DM3-IFG172132600
800	DM3-IFG172132800
900	DM3-IFG172132900

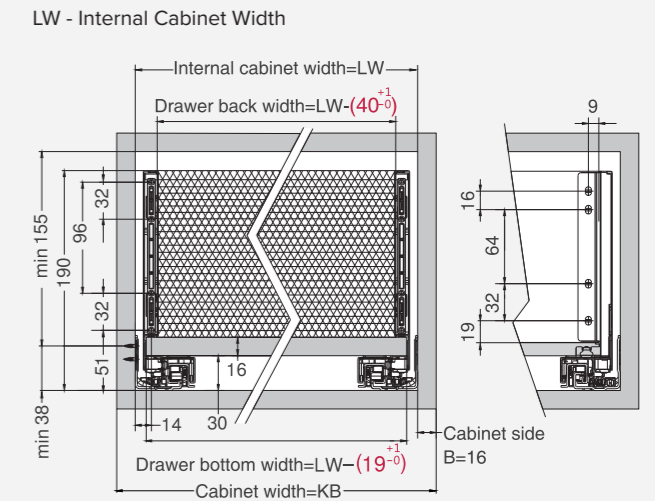


7 1100mm Synchronisation Rod
 DM4-SYNROD
 Cutting: Internal cabinet width LW-172

SCREW POSITIONS (MM)



INSTALLATION DIMENSIONS (MM)



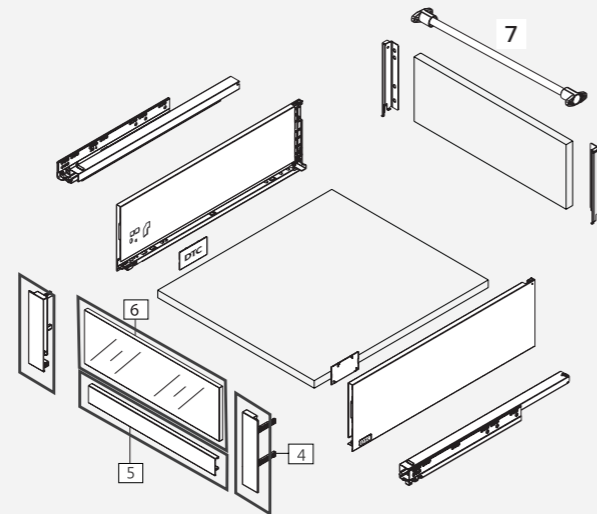
2 REQUIRED COMPONENTS TO MAKE INNER SYSTEM

1 C Height Glass Drawer Kit
 (Silk White / Black)
 (Push to Open Slides) +
10mm Glass Boxside
 (Left/Right)
 See page 50

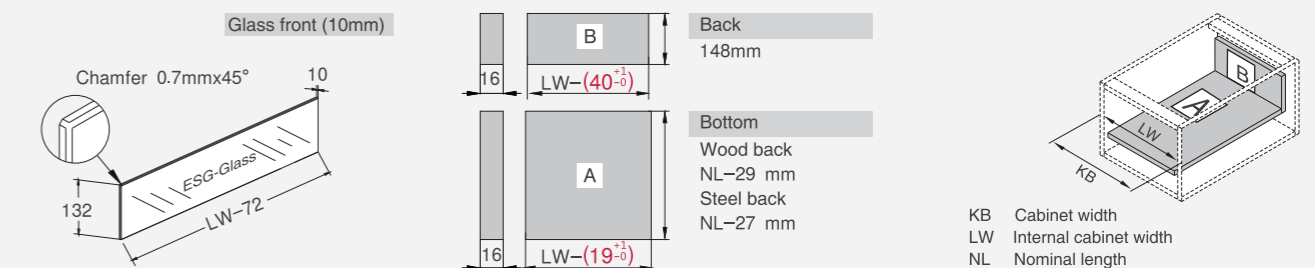
4 1 set 132/172mm Front Fixing Brackets

5 1 pc 1100mm Inner Drawer Front Panel

6 1 pc 10mm Inner Glass Front (132mm)



DRAWER FRONT, BACK AND BOTTOM DIMENSIONS (MM)



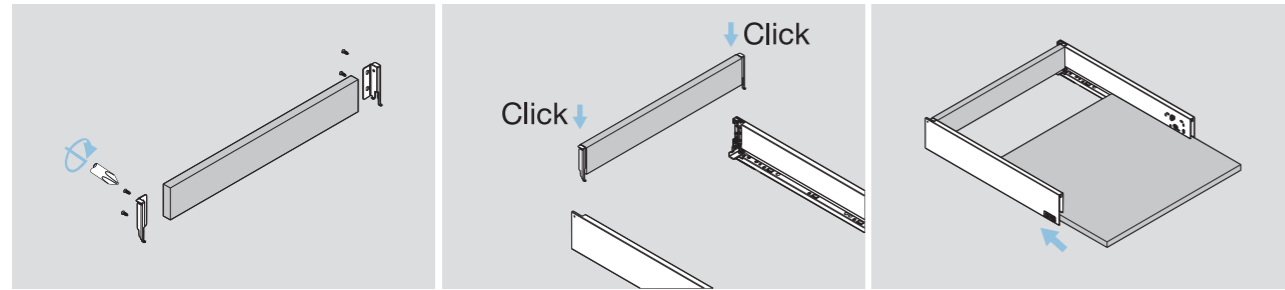


Assembly & Adjustments

Accessories

Assembly and Adjustments

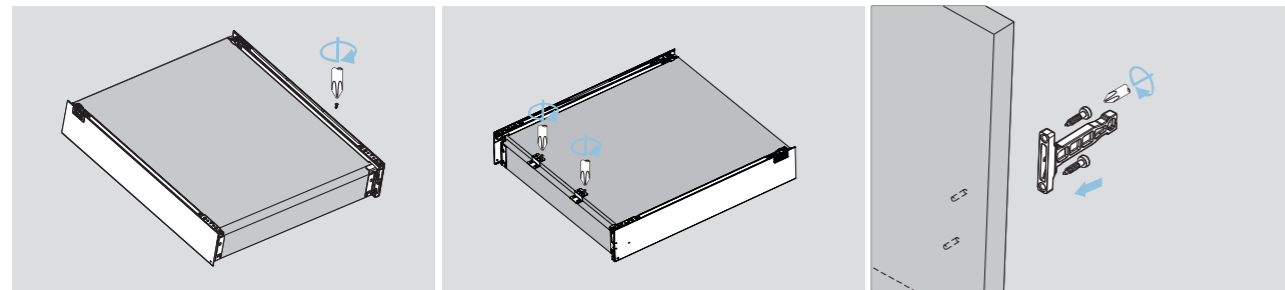
DRAWER ASSEMBLY



Back assembly

Click
Click

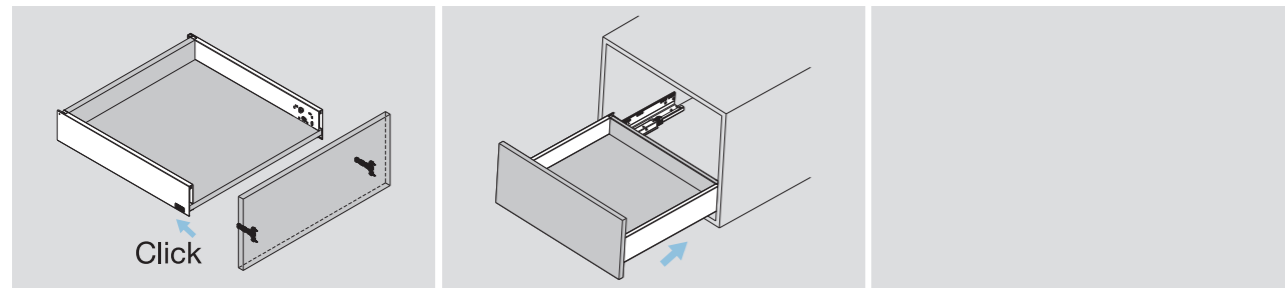
Bottom assembly



Fix screws

It is recommended to use 2 fixing-brackets for drawer width over 400mm.

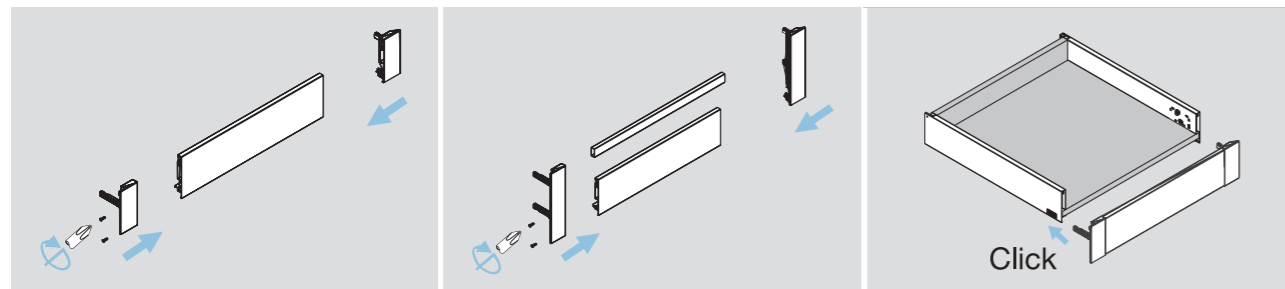
Front assembly



Front assembly

Slide into the cabinet

INNER DRAWER FRONT ASSEMBLY

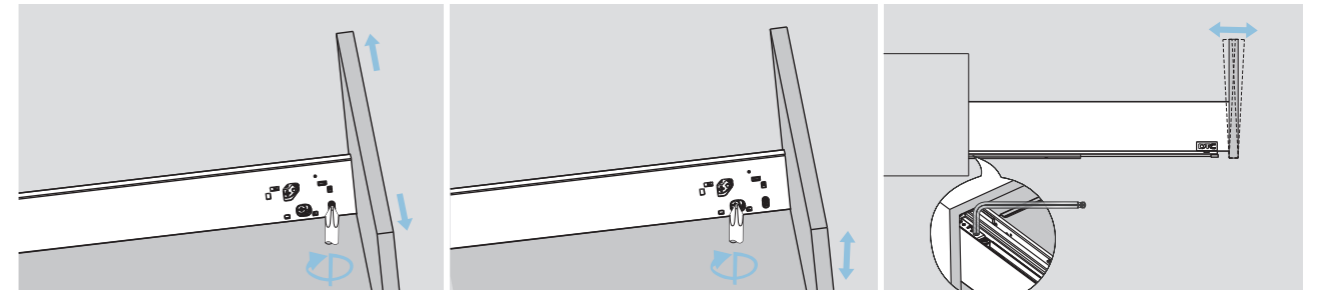


Low Inner Drawer: M Height

High Inner Drawer: C Height

Click

ADJUSTMENTS

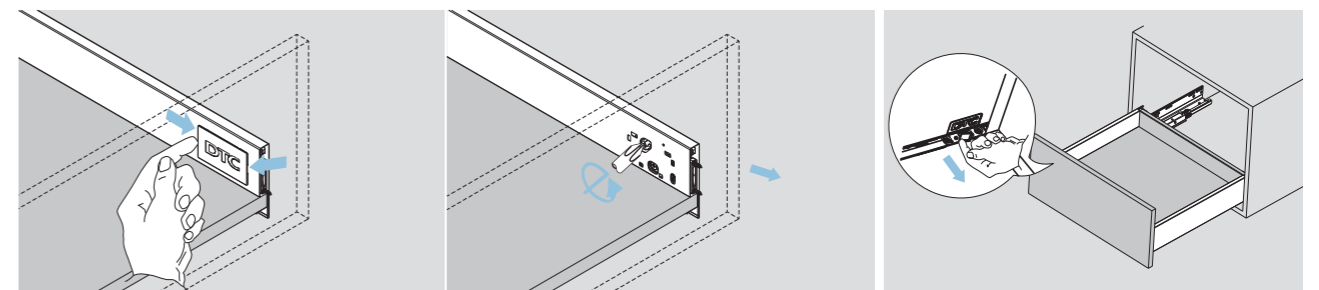


Left & right adjustment

Up & down adjustment

Tilt adjustment (by M3 Allen key)

REMOVAL

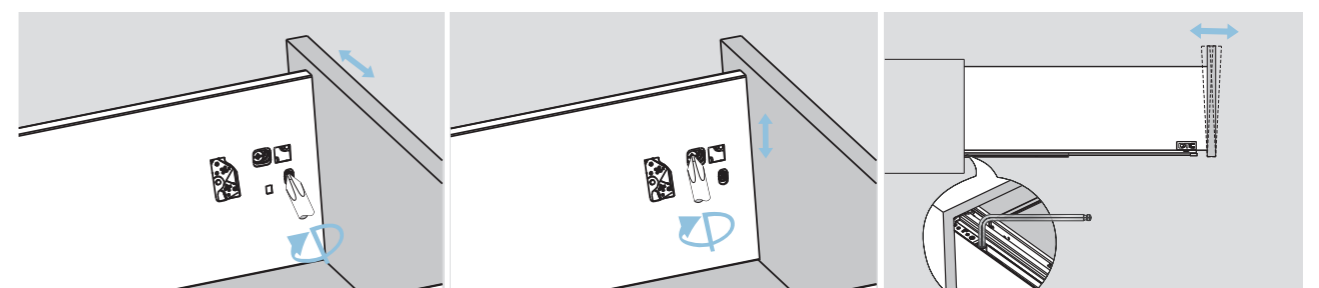


Tip up the cover and pull out

Turn screw driver to release the drawer front

Press the locking device under drawer bottom and pull out the drawer

ADJUSTMENTS FOR HIGH DRAWER

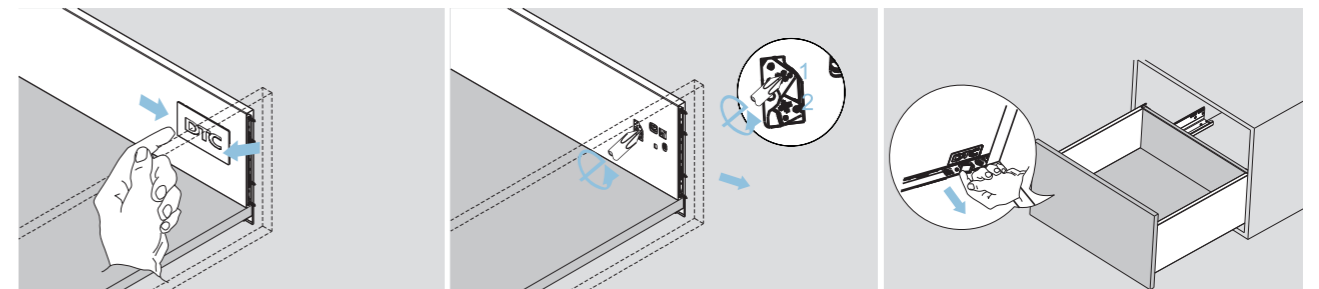


Left & right adjustment

Up & down adjustment

Tilt adjustment (by M3 Allen key)

REMOVAL OF HIGH DRAWER



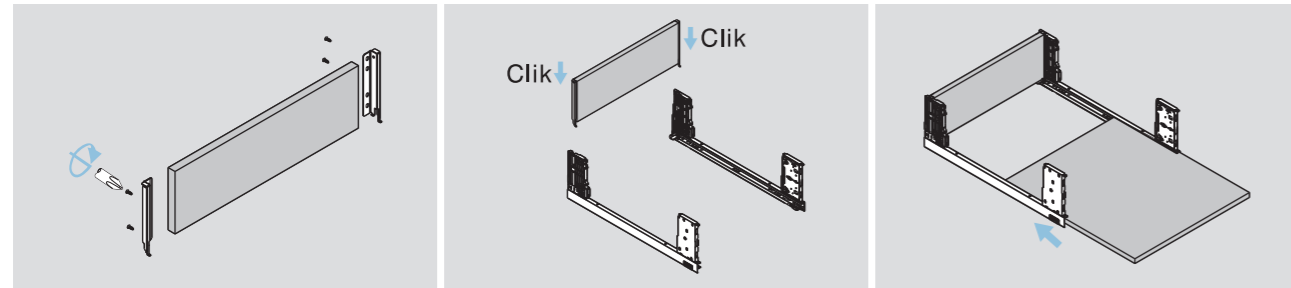
Tip up the cover and pull out

Turn screw driver to release lock 1, then release lock 2, remove the drawer front

Press the locking device under drawer bottom and pull out the drawer

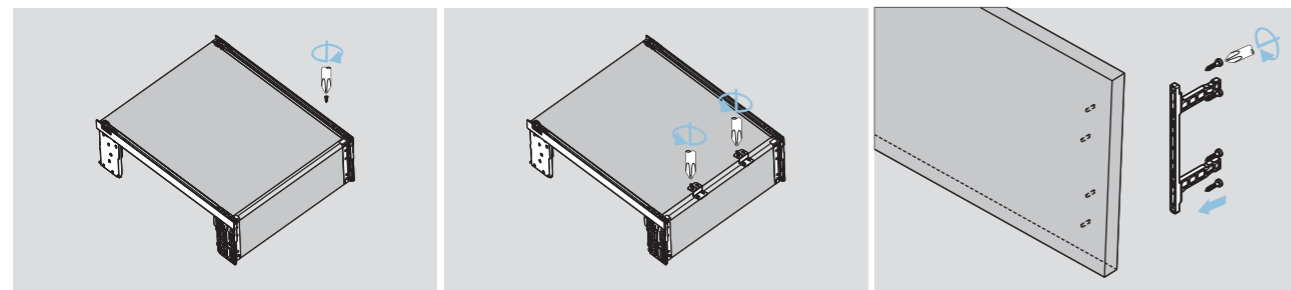
Assembly and Adjustments

GLASS DRAWER ASSEMBLY



Back assembly

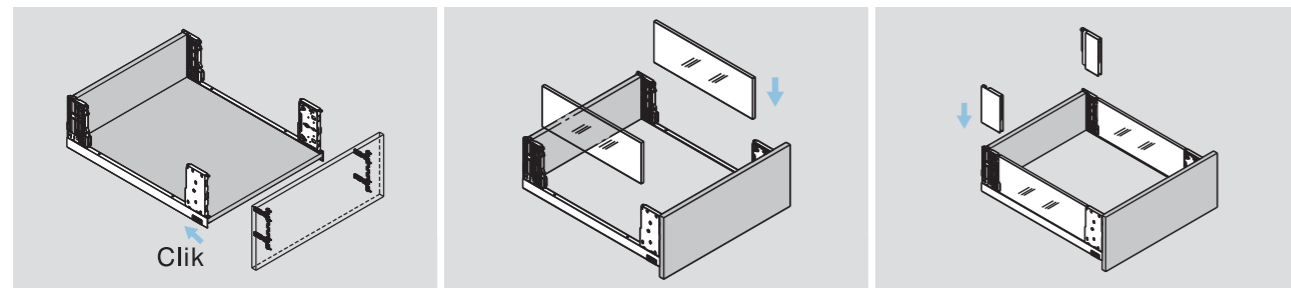
Bottom assembly



Fix screws

It is recommended to use 2 fixing-brackets for drawer width over 400mm.

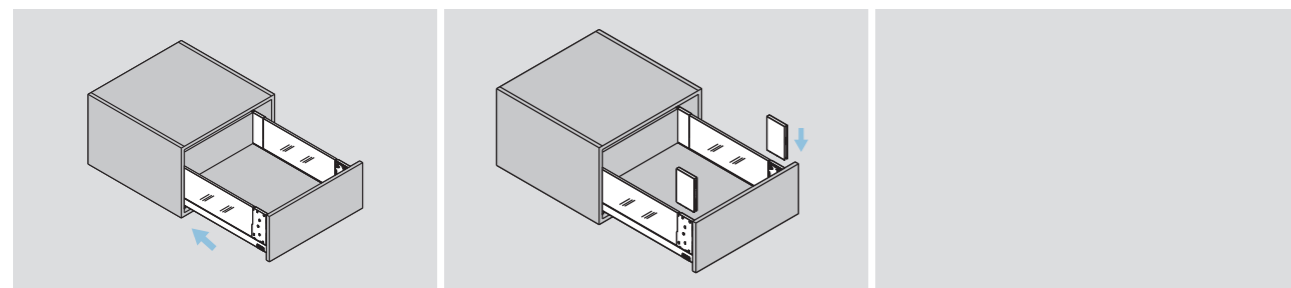
Front assembly



Front assembly

Insert glass-boxside

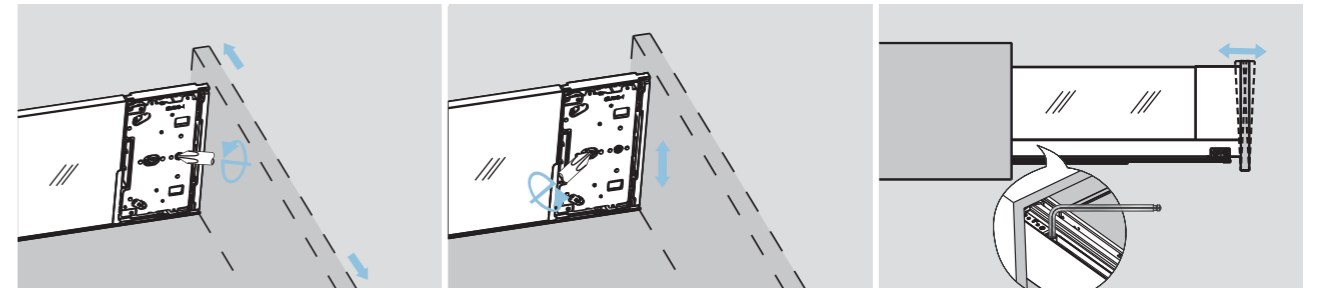
Insert back cover



Slide into the cabinet

Insert front cover

ADJUSTMENTS FOR GLASS HIGH DRAWER

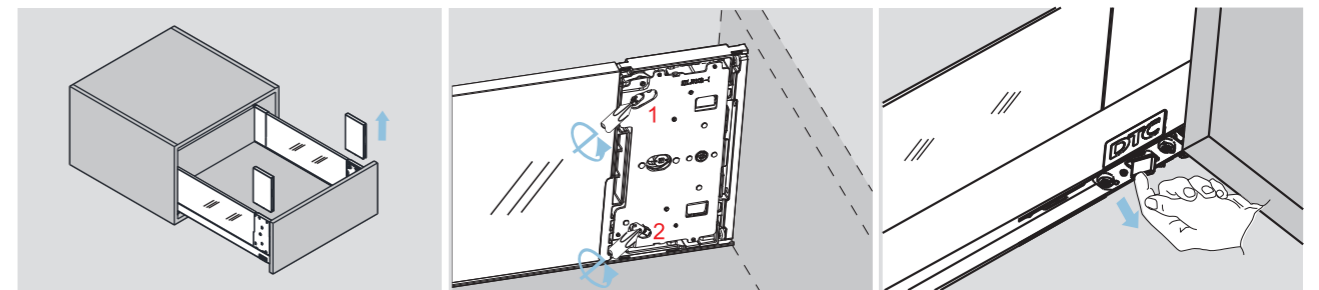


Left & right adjustment

Up & down adjustment

Tilt adjustment (by M3 Allen key)

REMOVAL OF GLASS HIGH DRAWER

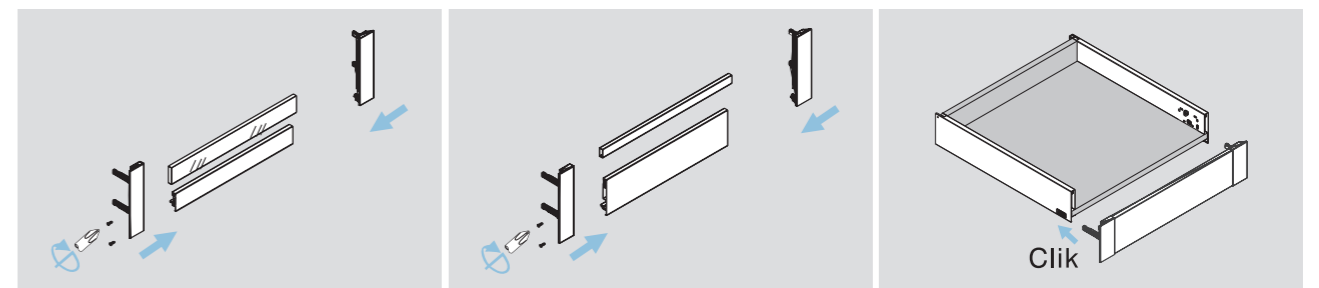
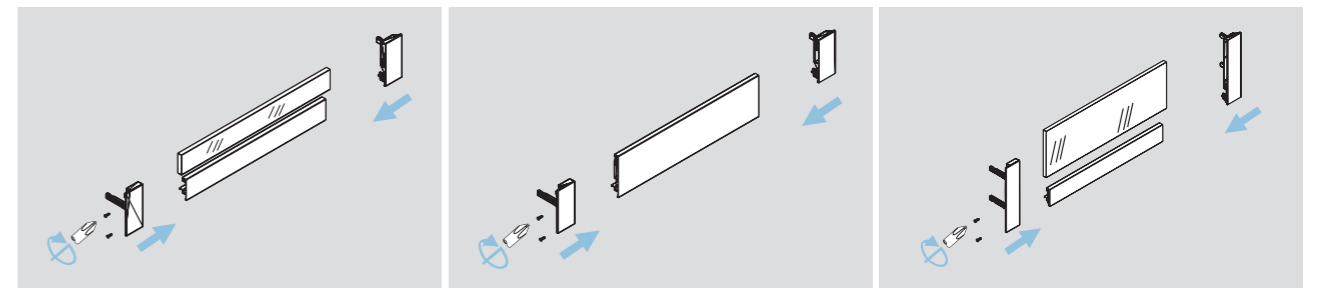


Pull out front cover

Turn screw driver to release lock 1, then release lock 2, remove the drawer front

Press the locking device under drawer bottom and pull out the drawer

INNER DRAWER FRONT ASSEMBLY



Clik

Marking Jigs

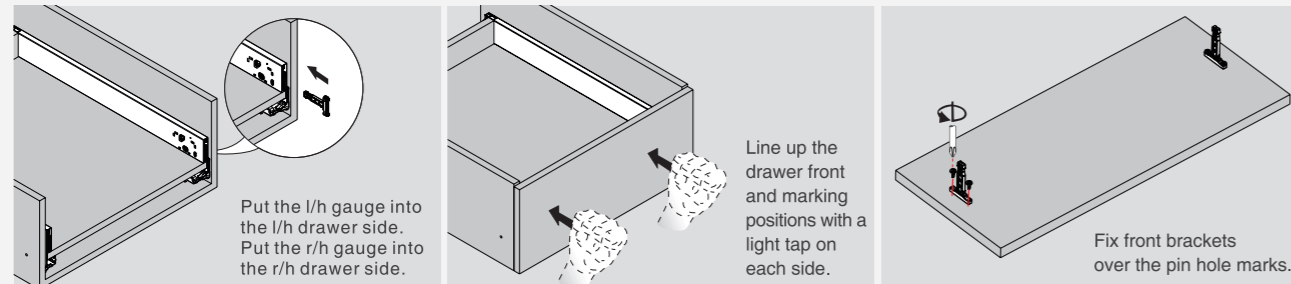
Front Panel Marking Jig for Low Drawer M Height

ORDER INFORMATION

DESCRIPTION	ITEM NUMBER	SET/CTN
Marking Jig for M Height drawer	DMA-088JFP	1



APPLICATION



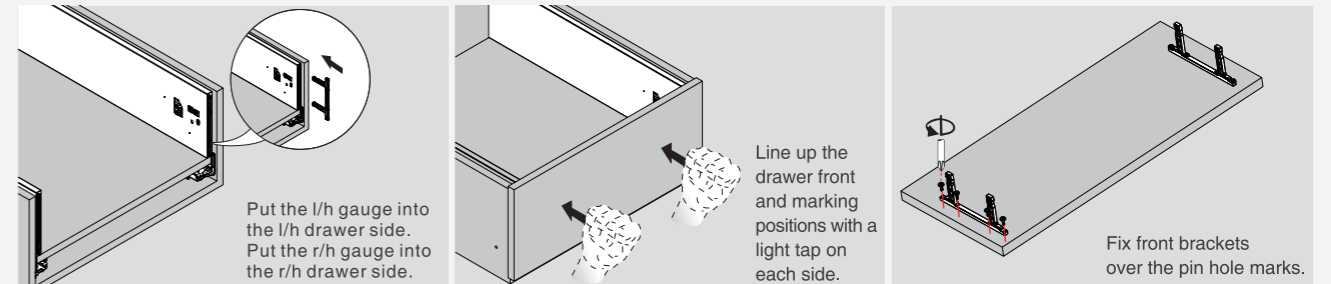
Front Panel Marking Jig for High Drawer C/F Height

ORDER INFORMATION

DESCRIPTION	ITEM NUMBER	SET/CTN
Marking Jig for C/F Height drawers	DMA-172JFP	1



APPLICATION



Accessories

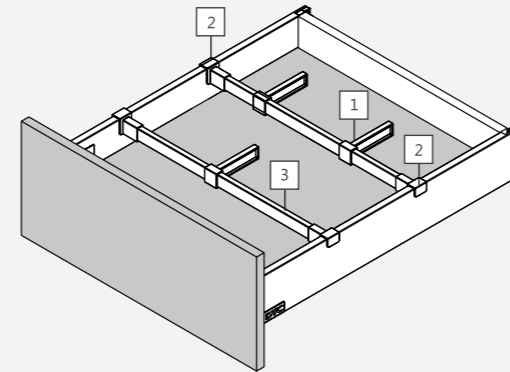
Dividing Accessories

ORDER INFORMATION

DESCRIPTION	SILK WHITE	GREY MATT	BLACK	SET/CTN
Divider	DM1-DIVIDER	DM2-DIVIDER	DM5-DIVIDER	60
Square Cross Rail Connector	DM1-SQCONW	DM2-SQCONG	DM5-SQCONB	60
1100mm Square Cross Rail	DM1-SQRILW	DM2-SQRILG	DM5-SQRILB	20

Dividing Components

- 1  1 pc **Divider**
- 2  1 pc **Square Cross Rail Connector**
- 3  1 pc **1100mm Square Cross Rail**
Cutting: Internal cabinet width LW-72



U-Shape Drawer Bracket for Under Sink Drawers

ORDER INFORMATION

ITEM NUMBER	DESCRIPTION
DM1-UBV	White U-Shape Drawer Bracket



SS Cutlery Tray

ORDER INFORMATION



ITEM NUMBER	DESCRIPTION
KCT03-450	Stainless Steel Cutlery Tray (D=450)
KCT03-500	Stainless Steel Cutlery Tray (D=500)
KCT03-550	Stainless Steel Cutlery Tray (D=550)



Accessories

Front Fixing Brackets

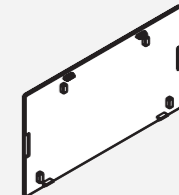
ORDER INFORMATION

ITEM NUMBER	DESCRIPTION	DRAWER HEIGHT	
DMA-088IFXS DMA-088IFXD	Screw-on Exp-Dowel	88mm 88mm	
DMA-126IFXS DMA-126IFXD	Screw-on Exp-Dowel	126mm 126mm	
DMA-172IFXS DMA-172IFXD	Screw-on Exp-Dowel	172/238mm 172/238mm	

Inner Cover Cap Set

ORDER INFORMATION

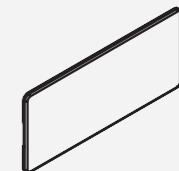
ITEM NUMBER	DESCRIPTION	COLOUR
DM1-INCAP	Inner Cover Cap Set NO logo	Silk White
DM2-INCAP	Inner Cover Cap Set NO logo	Grey Matt
DM5-INCAP	Inner Cover Cap Set NO logo	Black



Outer Cover Cap Set

ORDER INFORMATION

ITEM NUMBER	DESCRIPTION	COLOUR
DM1-OTCAP	Outer Cover Cap Set NO logo	Silk White
DM2-OTCAP	Outer Cover Cap Set NO logo	Grey Matt
DM5-OTCAP	Outer Cover Cap Set NO logo	Black



	HEIGHT	LOAD	DEPTH	WHITE	GREY	BLACK	GLASS BOXSIDE	10MM INNER GLASS FRONT	SOFT CLOSE	PUSH OPEN	
SOFT CLOSE STANDARD DRAWERS	N - 62.5mm	40kg	400	DM1-062400	-	-			✓	-	SOFT CLOSE STANDARD DRAWERS
			450	DM1-062450	-	-			✓	-	
			500	DM1-062500	-	-				✓	
	M - 88mm	40kg	270	DM1-088270	DM2-088270	DM5-088270			✓	-	
			350	DM1-088350	DM2-088350	DM5-088350			✓	-	
			400	DM1-088400	DM2-088400	DM5-088400			✓	-	
			450	DM1-088450	DM2-088450	DM5-088450			✓	-	
			500	DM1-088500	DM2-088500	DM5-088500			✓	-	
			550	DM1-088550	DM2-088550	DM5-088550			✓	-	
	K - 126mm	40kg	270	DM1-126270	DM2-126270	DM5-126270			✓	-	
			350	DM1-126350	DM2-126350	DM5-126350			✓	-	
			400	DM1-126400	DM2-126400	DM5-126400			✓	-	
			450	DM1-126450	DM2-126450	DM5-126450			✓	-	
			500	DM1-126500	DM2-126500	DM5-126500			✓	-	
			550	DM1-126550	DM2-126550	DM5-126550			✓	-	
	C - 172mm	40kg	270	DM1-172270	DM2-172270	DM5-172270			✓	-	
			350	DM1-172350	DM2-172350	DM5-172350			✓	-	
			400	DM1-172400	DM2-172400	DM5-172400			✓	-	
			450	DM1-172450	DM2-172450	DM5-172450			✓	-	
			500	DM1-172500	DM2-172500	DM5-172500			✓	-	
			550	DM1-172550	DM2-172550	DM5-172550			✓	-	
	C - 172mm	60kg	500	DM1-172500KG60	DM2-172500KG60	DM5-172500KG60			✓	-	
			550	DM1-172550KG60	DM2-172550KG60	DM5-172550KG60			✓	-	
	F - 238mm	40kg	270	DM1-238270	DM2-238270	DM5-238270			✓	-	
350			DM1-238350	DM2-238350	DM5-238350			✓	-		
400			DM1-238400	DM2-238400	DM5-238400			✓	-		
450			DM1-238450	DM2-238450	DM5-238450			✓	-		
500			DM1-238500	DM2-238500	DM5-238500			✓	-		
550			DM1-238550	DM2-238550	DM5-238550			✓	-		
F - 238mm	60kg	500	DM1-238500KG60	DM2-238500KG60	DM5-238500KG60			✓	-		
		550	DM1-238550KG60	DM2-238550KG60	DM5-238550KG60			✓	-		
INNER DRAWERS	M - 88mm	40kg	Front Fixing Brackets	DM1-088IFXW	DM1-088IFXG	DM1-088IFXB			✓	✓	
			110mm Front Panel	DM1-IP1100W	DM1-IP1100G	DM1-IP1100B			✓	✓	
	K - 126mm	40kg	Front Fixing Brackets	DM1-126IFXW	DM1-126IFXG	DM1-126IFXB			✓	✓	
			110mm Front Panel	DM1-IP1100W	DM1-IP1100G	DM1-IP1100B			✓	✓	
	C - 172mm	40/60kg	Front Fixing Brackets	DM1-172IFXW	DM1-172IFXG	DM1-172IFXB			✓	✓	
			110mm Front Panel	DM1-IP1100W	DM1-IP1100G	DM1-IP1100B			✓	✓	
		Square Cross Rail	DM1-SQRILW	DM1-SQRILG	DM1-SQRILB			✓	✓		
SOFT CLOSE INNER GLASS DRAWERS	M - 88mm	40kg	110mm Inner Front Panel	DM3-GIP1100W	DM3-GIP1100G	DM3-GIP1100B			✓	-	
			46/88mm Front Fixing Brackets	DM3-WIFX088046	DM3-GIFX088046	DM3-BIFX088046			✓	-	
			400				DM3-SGB08854400	DM3-IFG08846400	✓	-	
			450				DM3-SGB08854450	DM3-IFG08846450	✓	-	
			500				DM3-SGB08854500	DM3-IFG08846500	✓	-	
			550				DM3-SGB08854550	DM3-IFG08846550	✓	-	
			600					DM3-IFG08846600	✓	-	
			800					DM3-IFG08846800	✓	-	
			900					DM3-IFG08846900	✓	-	
			C FULL - 172mm	40kg	110mm Inner Front Panel	DM3-GIP1100W	DM3-GIP1100G	DM3-GIP1100B			✓
	132/172mm Front Fixing Brackets	DM3-WIFX172132			DM3-GIFX172132	DM3-BIFX172132			✓	-	
	400						DM3-SGB172140400	DM3-IFG172132400	✓	-	
	450						DM3-SGB172140450	DM3-IFG172132450	✓	-	
	500						DM3-SGB172140500	DM3-IFG172132500	✓	-	
	550						DM3-SGB172140550	DM3-IFG172132550	✓	-	
	600							DM3-IFG172132600	✓	-	
	800							DM3-IFG172132800	✓	-	
	900							DM3-IFG172132900	✓	-	
	C HALF - 172mm	40kg			110mm Inner Front Panel	DM3-GIP1100W	DM3-GIP1100G	DM3-GIP1100B			✓
			46/172mm Front Fixing Brackets	DM3-WIFX172046	DM3-GIFX172046	DM3-BIFX172046			✓	-	
			400				DM3-SGB172140400	DM3-IFG08846400	✓	-	
			450				DM3-SGB172140450	DM3-IFG08846450	✓	-	
			500				DM3-SGB172140500	DM3-IFG08846500	✓	-	
			550				DM3-SGB172140550	DM3-IFG08846550	✓	-	
600							DM3-IFG08846600	✓	-		
800							DM3-IFG08846800	✓	-		
900							DM3-IFG08846900	✓	-		
SOFT CLOSE GLASS DRAWERS			M - 88mm	40kg	400	DM3-W088400	-	DM3-B088400	DM3-SGB08854400		✓
	450	DM3-W088450			-	DM3-B088450	DM3-SGB08854450		✓	-	
	500	DM3-W088500			-	DM3-B088500	DM3-SGB08854500		✓	-	
	550	DM3-W088550			-	DM3-B088550	DM3-SGB08854550		✓	-	
	550	DM3-W088550			-	DM3-B088550	DM3-SGB08854550		✓	-	
	C - 172mm	40kg	400	DM3-W172400	-	DM3-B172400	DM3-SGB172140400		✓	-	
			450	DM3-W172450	-	DM3-B172450	DM3-SGB172140450		✓	-	
			500	DM3-W172500	-	DM3-B172500	DM3-SGB172140500		✓	-	
			550	DM3-W172550	-	DM3-B172550	DM3-SGB172140550		✓	-	
			550	DM3-W172550	-	DM3-B172550	DM3-SGB172140550		✓	-	

	HEIGHT	LOAD	DEPTH	WHITE	GREY	BLACK	GLASS BOXSIDE	10MM INNER GLASS FRONT	SOFT CLOSE	PUSH OPEN			
PUSH OPEN DRAWERS	M - 88mm	40kg	400	DM4-W088400	-	DM4-B088400			-	✓	PUSH OPEN DRAWERS		
			450	DM4-W088450	-	DM4-B088450			-	✓			
			500	DM4-W088500	-	DM4-B088500			-	✓			
	K - 126mm	40kg	400	DM4-W126400	-	DM4-B126400			-	✓			
			450	DM4-W126450	-	DM4-B126450			-	✓			
			500	DM4-W126500	-	DM4-B126500			-	✓			
	C - 172mm	40kg	400	DM4-W172400	-	DM4-B172400			-	✓			
			450	DM4-W172450	-	DM4-B172450			-	✓			
			500	DM4-W172500	-	DM4-B172500			-	✓			
	F - 238mm	40kg	400	DM4-W238400	-	DM4-B238400			-	✓			
			450	DM4-W238450	-	DM4-B238450			-	✓			
			500	DM4-W238500	-	DM4-B238500			-	✓			
PUSH OPEN INNER DRAWERS	M - 88mm	40kg	Front Fixing Brackets	DM1-088IFXW	-	DM1-088IFXB			-	✓	PUSH OPEN INNER DRAWERS		
			1100mm Front Panel	DM1-IP1100W	-	DM1-IP1100B			-	✓			
			1100mm Synchronisation Rod	DM4-SYNROD	-	DM4-SYNROD			-	✓			
	K - 126mm	40kg	Front Fixing Brackets	DM1-126IFXW	-	DM1-126IFXB			-	✓			
			1100mm Front Panel	DM1-IP1100W	-	DM1-IP1100B			-	✓			
			1100mm Synchronisation Rod	DM4-SYNROD	-	DM4-SYNROD			-	✓			
	C - 172mm	40/60kg	Front Fixing Brackets	DM1-172IFXW	-	DM1-172IFXB			-	✓			
			1100mm Front Panel	DM1-IP1100W	-	DM1-IP1100B			-	✓			
			Square Cross Rail	DM1-SQRAILW	-	DM1-SQRAILB			-	✓			
	PUSH OPEN INNER GLASS DRAWERS	M - 88mm	40kg	1100mm Inner Front Panel	DM3-GIP1100W	-	DM3-GIP1100B			-		✓	PUSH OPEN INNER GLASS DRAWERS
				46/88mm Front Fixing Brackets	DM3-WIFX088046	-	DM3-BIFX088046			-		✓	
				1100mm Synchronisation Rod	DM4-SYNROD	-	DM4-SYNROD			-		✓	
400							DM3-IFG08846400	-	✓				
450						DM3-IFG08846450	-	✓					
500						DM3-IFG08846500	-	✓					
600						DM3-IFG08846600	-	✓					
800						DM3-IFG08846800	-	✓					
900						DM3-IFG08846900	-	✓					
C FULL - 172mm		40kg	1100mm Inner Front Panel	DM3-GIP1100W	-	DM3-GIP1100B			-	✓			
			132/172mm Front Fixing Brackets	DM3-WIFX172132	-	DM3-BIFX172132			-	✓			
			1100mm Synchronisation Rod	DM4-SYNROD	-	DM4-SYNROD			-	✓			
			400			DM3-IFG172132400	-	✓					
			450			DM3-IFG172132450	-	✓					
			500			DM3-IFG172132500	-	✓					
			600			DM3-IFG172132600	-	✓					
			800			DM3-IFG172132800	-	✓					
			900			DM3-IFG172132900	-	✓					
C HALF - 172mm	40kg	1100mm Inner Front Panel	DM3-GIP1100W	-	DM3-GIP1100B			-	✓				
		46/172mm Front Fixing Brackets	DM3-WIFX172046	-	DM3-BIFX172046			-	✓				
		1100mm Synchronisation Rod	DM4-SYNROD	-	DM4-SYNROD			-	✓				
		400			DM3-IFG08846400	-	✓						
		450			DM3-IFG08846450	-	✓						
		500			DM3-IFG08846500	-	✓						
		600			DM3-IFG08846600	-	✓						
		800			DM3-IFG08846800	-	✓						
		900			DM3-IFG08846900	-	✓						



Lek

Phone: 1300 489 399
Email: info@leksupply.com.au
Website: www.leksupply.com.au

VIC Head Office
37-41 Letcon Drive
Bangholme, VIC 3175

NSW
96 Newton Road,
Wetherill Park, NSW 2164

QLD
8/62 Crockford St,
Northgate, QLD 4013

SA
41 Weaver Street,
Edwardstown, SA 5039