

WingLine L – folding door system



WingLine L application examples



Bedroom cabinet

- Optimal use of space in the corner of the cabinet

WingLine L application examples



Kitchen

- Clever solution for kitchen worktop cabinet
- Bottom profile below construction panel (if required).
- Easy access to kitchen appliances / products

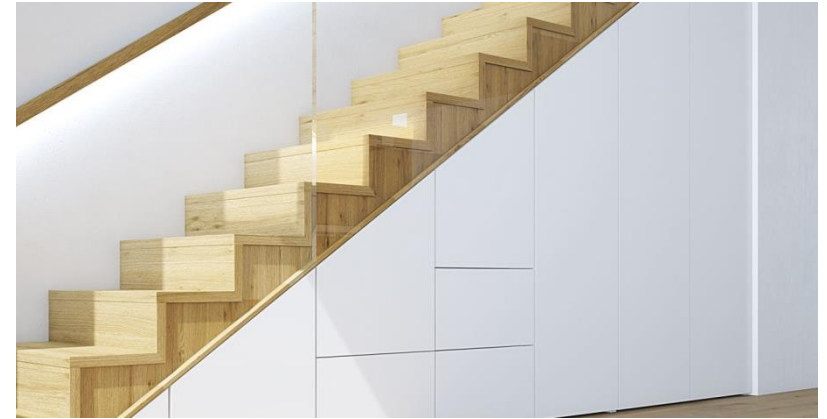
WingLine L application examples



Laundry room

- Functional storage space without bottom profile
- Washing machine and dryer are hidden when not in use

WingLine L – new ideas



Staircase

- Efficient usage of “dead” space under the staircase as a storeroom
- Especially in small apartments / houses, the area under the staircase can create additional storage space

All facts on WingLine L



- Folding door system with two door wings
- Overlay or inlay door position
- Suitable for wooden doors
- Mechanical opening support Push to move, Pull to move or Pull to move Silent
- Recommended use with Sensys 110 degree
- Max. door panel height 2.400 mm
- Max. door panel width 600 mm
- Max. door panel weight up to 25 Kg
- Minimal door protrusion of 45mm (+door thickness) for full overlay doors
- Height adjustment +/- 3 mm
- Tested with 40.000 cycles

All facts on WingLine L

Folding door system

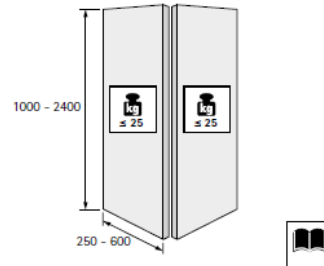
- ▶ WingLine L / attached to the side
- ▶ Performance summary



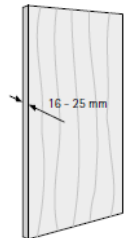
Technical details in brief

- ▶ For one folding door with 2 wings
- ▶ Overlay door position
- ▶ For wooden doors
- ▶ Push / Pull to move
- ▶ Suitable for use with Sensys hinge with Silent System
- ▶ Door wing weight up to 25 kg
- ▶ Door height up to 2400 mm
- ▶ Door wing width up to 600 mm
- ▶ Tested with 40000 cycles

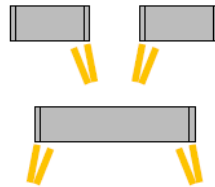
Door format and door weight



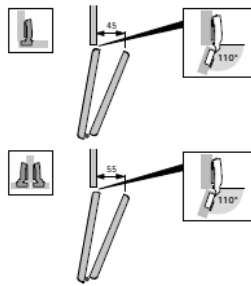
Door material



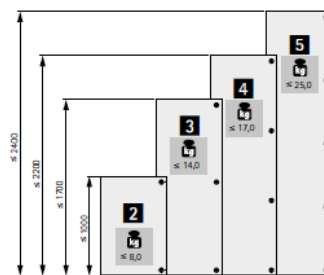
Number of door wings and door position



Door protrusion



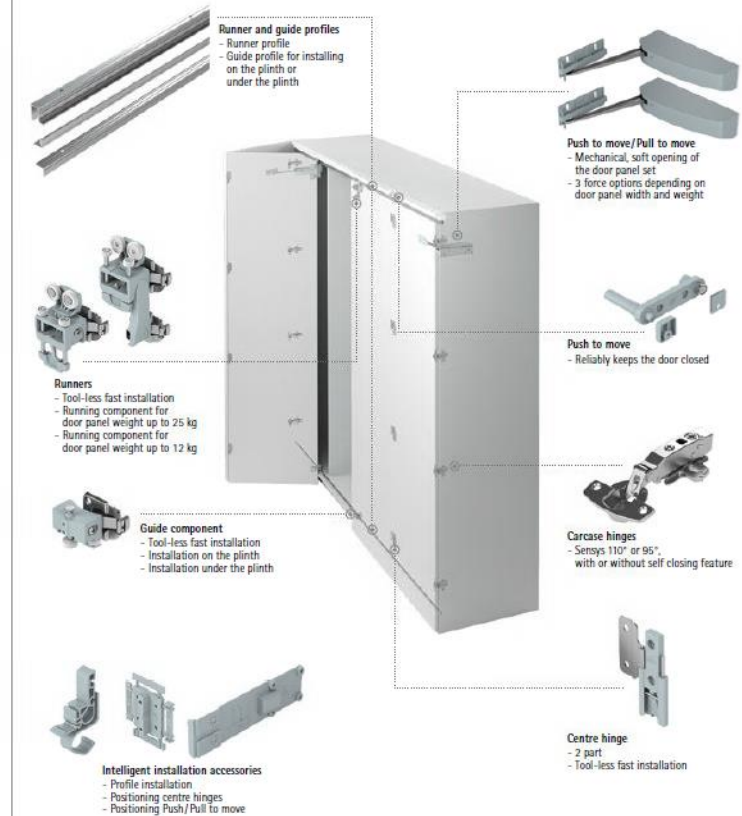
Recommended number of carcass and folding door hinges



Folding door system

- ▶ WingLine L / attached to the side
- ▶ System summary

The new multifolder: WingLine L



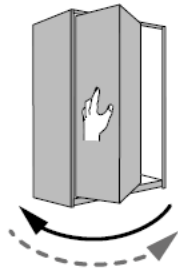
All facts on WingLine L

Folding door system

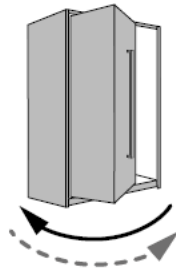
- ▶ WingLine L / attached to the side
- ▶ System summary

WingLine L with Push to move and Pull to move

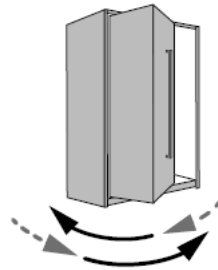
Pull to move and Push to move are two innovative and unique opening mechanisms for folding door systems. A slight pull on the handle or gentle push on the (handleless) front automatically opens the door all the way, taking it to the open position in a cushioned movement. A fascinating opening effect that works all mechanically! This means it requires neither cables nor any connection to the power supply.



Push to move
The door opens automatically in response to a light press on the front and is returned to the closed position by hand.



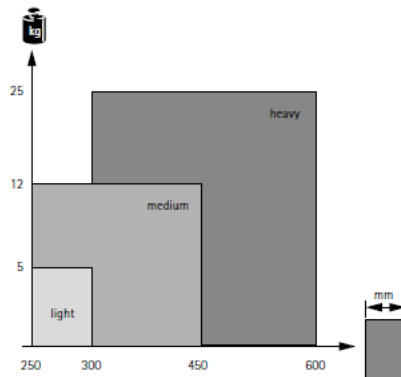
Pull to move
The door opens automatically from a 1° opening angle in response to a minimal pull on the handle and is returned to the closed position by hand.



Pull to move Silent
The door opens automatically from a 35° opening angle in response to a slight pull on the handle and is returned to the closed position in a cushioned movement.

Capacity classes

For Push to move and Pull to move to work perfectly in conjunction with every door size and weight, the modules are available in various capacity classes. Choose the right set for your particular application. A trial mounting is recommended!



4 different options:

- Push to move
- Pull to Move
- Pull to Move Silent

3 different weight capacities – always dependant on door wing weight

Light, Medium and Heavy

WingLine L – how to pick the correct product code

The following planning information is required for selecting the correct WingLine L articles in just a few easy steps:

- ▶ Number of folding doors
- ▶ Door wing width (mm)
- ▶ Door wing weight (kg)

Only a few clicks away to the folding door cabinet or wardrobe.



<https://www.hettich.com/short/59ada1>

| | | | |
|--|--|---|--|
| Opening assistance required? Classic front with handle or purist look without handles? | | Is spring assisted self closing feature needed in the hinge and in the running and guide components? | |
| Door with handle | Door without handle | Opening mechanism | Self-closing feature |
| <ul style="list-style-type: none"> - Pull to move - Pull to move Silent - No opening assistance | <ul style="list-style-type: none"> - Push to move | <ul style="list-style-type: none"> Push to move Pull to move Pull to move Silent No opening mechanism | <ul style="list-style-type: none"> No self closing feature No self closing feature With self closing feature With self closing feature |
| What opening force is needed for Push / Pull / Pull to move Silent? | | Is a bottom door guide required? | |
| | | Door wing weight up to 12 kg | Bottom door guide: optional |
| | | From a door wing weight of 12 kg | Bottom door guide: recommended |
| | | Where will the bottom door guide be positioned? | |
| | | Cabinet with plinth | Guide profile underneath bottom panel |
| | | Cabinet without plinth | Guide profile on front of bottom panel Guide profile underneath structural panel |

WingLine L – how to pick the correct product code

Example: wardrobe



Planning details:

- ▶ Number of folding doors: 2
- ▶ Door wing width: 596 mm
- ▶ Door wing weight: 16.5 kg
- ▶ Front design: without handle
- ▶ Opening assistance: Push to move
- ▶ Self closing feature: no
- ▶ Opening force: high
- ▶ Bottom door guide: recommended
- ▶ Wardrobe with plinth: guide below the bottom panel

<https://www.hettich.com/short/81ebb1>



Set of profiles:

- ▶ Set of profiles, 2400 mm: **9 239 310**

Set of fittings:

- ▶ Set for max. weight of 25 kg, without self closing feature – left: **9 237 880**
- ▶ Set for max. weight of 25 kg, without self closing feature – right: **9 237 881**

Opening assistance:

- ▶ Push to move, high – left: **9 238 052**
high – right: **9 238 053**

Example: utility room cabinet



Planning details:

- ▶ Number of folding doors: 2
- ▶ Door wing width: 363 mm
- ▶ Door wing weight: 4 kg
- ▶ Front design: with handle
- ▶ Opening assistance: Pull to move Silent
- ▶ Self closing feature: yes
- ▶ Opening force: moderate
- ▶ Bottom door guide: none needed
- ▶ Cabinet without plinth: guide not needed

<https://www.hettich.com/short/f33ae0>



Set of profiles:

- ▶ Set of profiles, 2400 mm: **9 239 310**

Set of fittings:

- ▶ Set for max. weight of 12 kg, with self closing feature without guide – left: **9 237 903**
- ▶ Set for max. weight of 12 kg, with self closing feature without guide – right: **9 237 902**

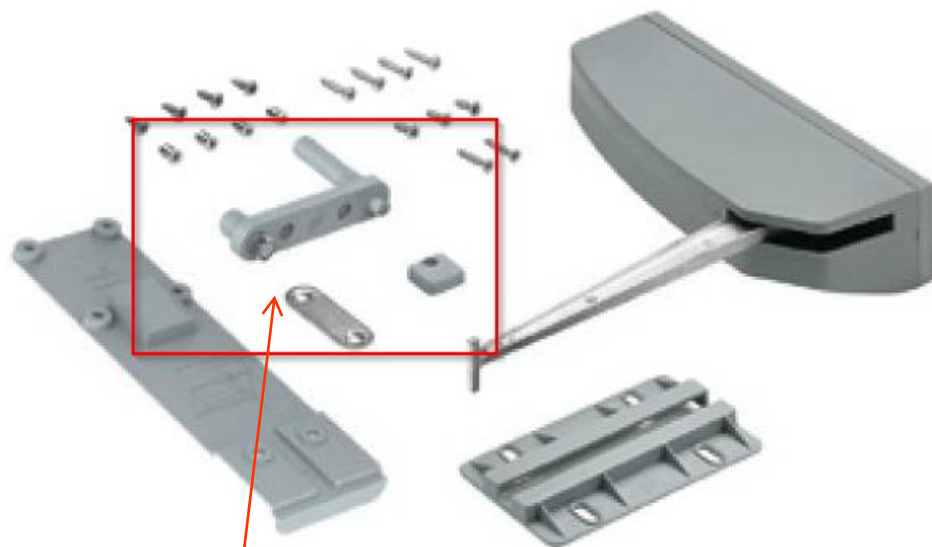
Opening assistance:

- ▶ Pull to move Silent, moderate – left: **9 238 121**
moderate – right: **9 238 124**

EXAMPLES

WingLine L – Push to Move

Push to move

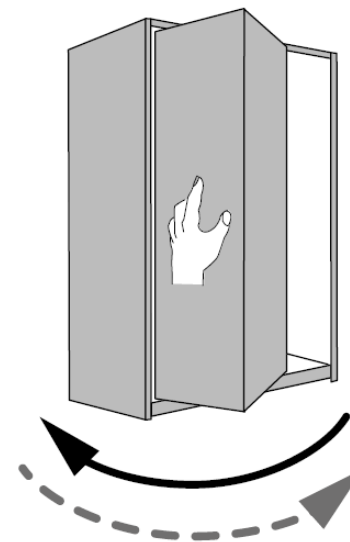


Set comprises:

- ▶ 1 Push to move unit
 - ▶ 1 support unit with 1 Push to open Pin and 1 magnet
 - ▶ 1 magnetic counterplate
-
- ▶ Carcase hinges without self closing feature must be used in combination with Push to move. Recommendation: Sensys 8675, opening angle 110°

System Components

- Push to move

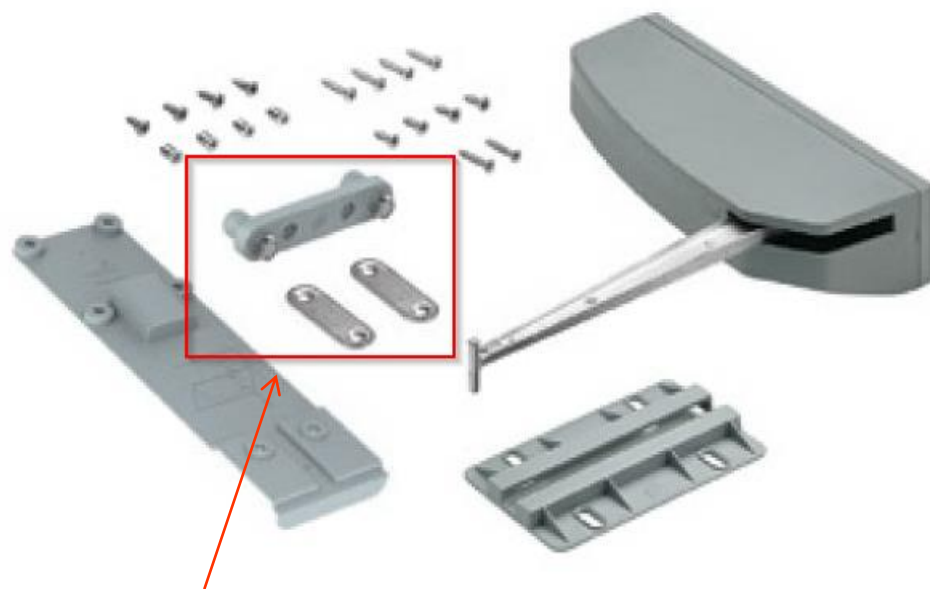


Push to move

The door opens automatically in response to a light press on the front and is returned to the closed position by hand.

WingLine L – Pull to Move

Pull to move



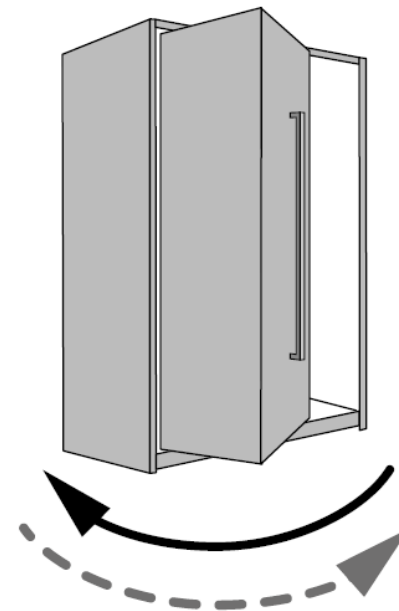
Set comprises:

- ▶ 1 Pull to move unit
- ▶ 1 support unit with 2 magnets
- ▶ 2 magnetic counterplates

- ▶ Carcase hinges without self closing feature must be used in combination with Pull to move. Recommendation: Sensys 8675, opening angle 110°

System Components

- Pull to move



Pull to move

The door opens automatically from a 1° opening angle in response to a minimal pull on the handle and is returned to the closed position by hand.

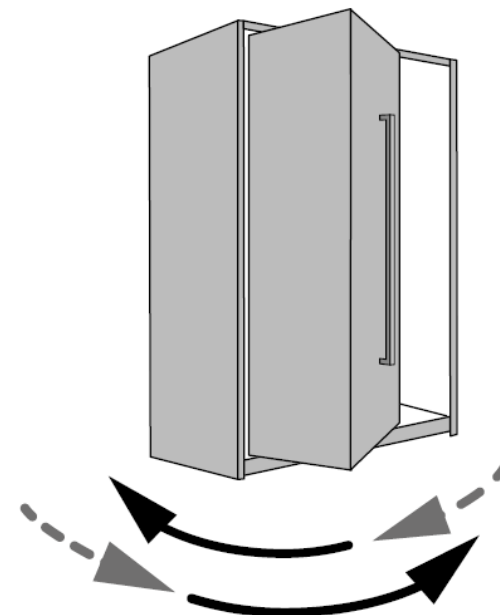
WingLine L – Pull to Move Silent



Use with standard Sensys 8645i 110 degree hinges

System Components

- Pull to Move Silent



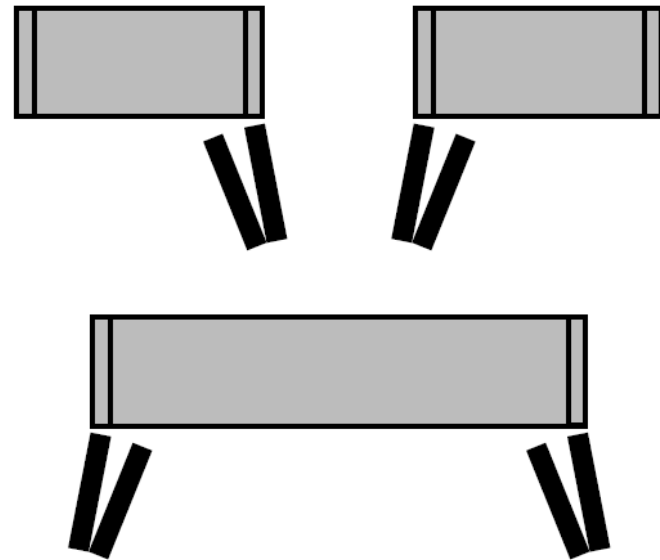
Pull to move Silent

The door opens automatically from a 35° opening angle in response to a slight pull on the handle and is returned to the closed position in a cushioned movement.



Handle-less perfection

- First folding door system in the market which enables handle less cabinet design
- The door package opens all the way with just one push (***Push to move***)





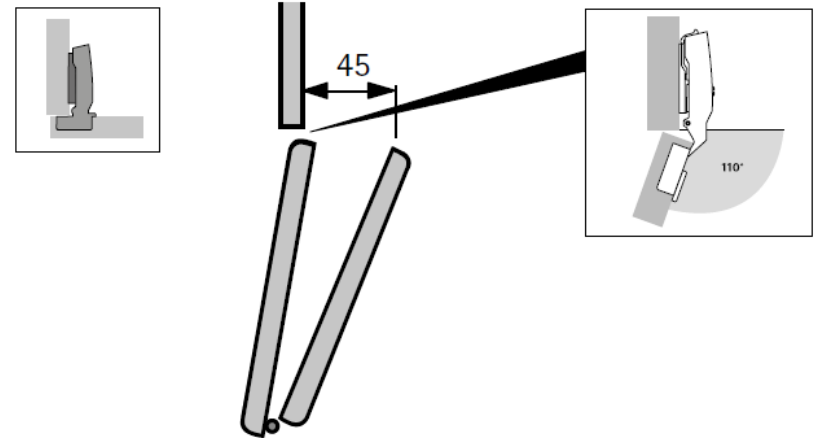
For easy and gentle opening

- Pull to move and Push to move are two innovative and unique opening mechanisms for folding door systems
- A slight pull on the handle or gentle push on the (handle less) front automatically opens the door all the way and stops quiet and gently in opening position
- A fascinating opening effect that works mechanical! No cable mess and no electricity required



Optimum use of space

- Minimal door protrusion, with door reliably held in place while open (45 mm + door thickness).
- No rebound effect of door package
- Drawers, runners and clothes rail open securely past the door package

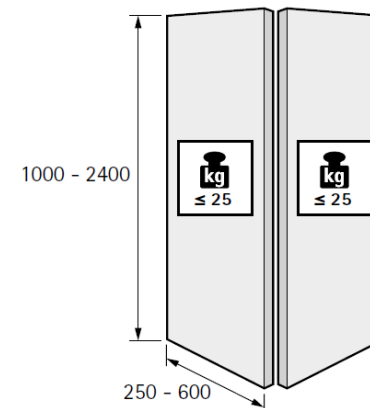


WingLine L | Product benefits



Panorama convenience

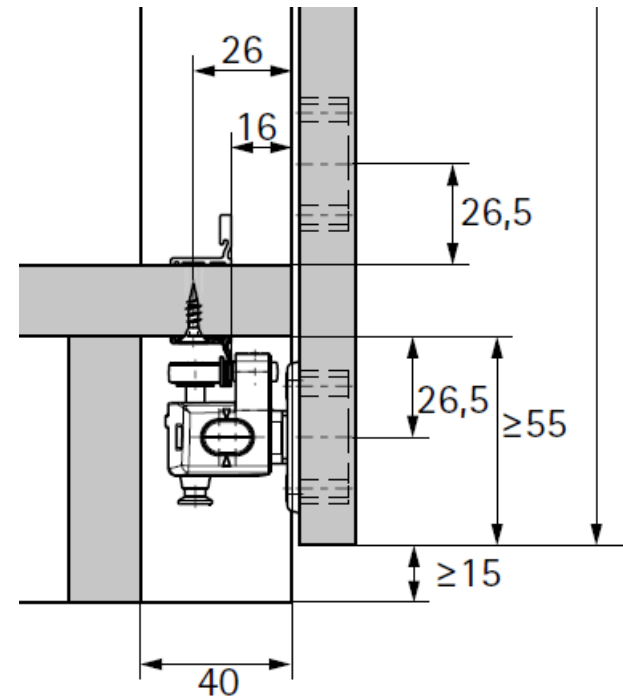
- Access to 6m² of cabinet content, leaving everything in perfect view.
- Complete cabinet opens without distracting doors in the middle of the cabinet
- Door panel height up to 2.400 mm
- Door panel width up to 600 mm
- Door panel weight up to 25 Kg





Purist and convenient

- No distracting profile on the bottom panel
- Profile can be mounted on the bottom panel if required



WingLine L | Product benefits



Impresses everywhere

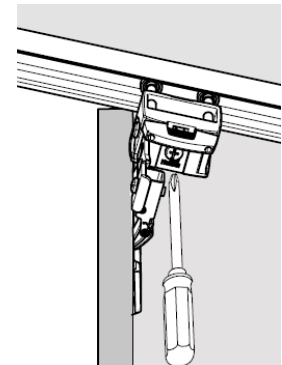
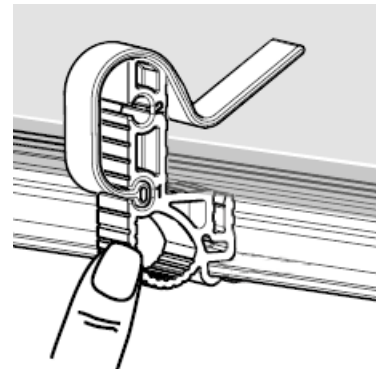
- WingLine L is suitable for all commonly used door dimensions
- Whether in a bedroom cabinet, in a kitchen worktop cabinet, a sideboard or as an hidden kitchen solution, WingLine L has the right solution for all applications:
 - 2x running part versions for different door panel weight
 - 3x Push/Pull to move power versions depending on door panel weight and width
 - With or without guiding part / profile





Easy and cost effective

- Intelligent installation accessories for efficient one person installation.
- Toolless fast assembly of running and guiding parts
- Easy definition of drilling positions with assembly jigs
- Perfect gap alignment with $\pm 3\text{mm}$ height adjustment



WingLine L – Marketing / online

Hettich » Products » Folding and sliding door systems » Folding door systems » WingLine L

Experiencing folding doors in a new way.

WingLine L lets you produce folding sliding doors in a completely new dimension of convenience. The revolutionary Push / Pull to move opening mechanism provides access to everything inside the cabinet with just one movement of the hand. An impressive panorama effect! Further highlights: optimised running performance, soft opening and closing, tool-less installation as well as minimal door protrusion for efficiently organising the space inside. WingLine L competently and securely moves door wings weighing up to 25 kg and measuring up to 2,400 mm in height: a talented all rounder for the bedroom, kitchen and office.




Experiencing folding doors in a new way. WingLine L

Technical details in brief


- For one folding door with 2 wings
- Overlay door position
- For wooden doors
- Push / Pull to move
- Suitable for use with Sensys hinge with Silent System
- Door wing weight up to 25 kg
- Door height up to 2400 mm
- Door wing width up to 600 mm
- Tested with 40000 cycles

▼ Catalogue

Downloads







-  Sliding and folding door systems

Catalogue Browser

-  Sliding and folding door systems

▼ Installation and assembly

Mounting instruction

-  WingLine L up to 25 kg
-  WingLine L up to 12 kg
-  Push to move
-  Pull to move
-  Pull to move Silent
-  More mounting instruction

► Interesting links

Access to catalogue and installation instructions in Media section

Thank You!

