



## General Furniture Fittings

Technik für Möbel

  
**Hettich**

Flap fittings

8 - 17

Easys electromechanical opening system

18 - 29

Drawer runners for wooden drawers

30 - 48

Locking systems

49 - 53

Connecting technology

54 - 75

Cabinet interiors

76 - 121

Order number index

122 - 123

Your contact:

Hettich Australia

1 Herbert Place  
Smithfield 2164, Sydney

Phone: (02) 9616 7700

Free Phone: 1800 687 789

Fax: (02) 9616 7778

Free Fax: 1800 150 129

[sales@hettich.com.au](mailto:sales@hettich.com.au)

[hettich.com.au](http://hettich.com.au)

## Hettich - a family owned company



Outstanding engineering achievements. Entrepreneurial courage. And a reliable instinct for the needs of the market. These are the cornerstones of Hettich's success – the same ones we've been building on for over 125 years. Back in 1888 Karl Hettich designed a machine that revolutionised the production of anchor escapements for Black Forest cuckoo clocks. In 1928, August Hettich turned towards the furniture industry with an innovative production line for piano hinges.

Encouraged by further achievements, brothers Paul, August and Franz Hettich set up a new company at Herford in 1930. Kirchlengern became headquarters in 1966. Our company has been a wholly owned family business ever since – now with Dr. Andreas Hettich at the helm as the fourth generation managing director.



Technology for furniture – our passion for over a century. Throughout the world, the Hettich brand stands for quality, innovation, reliability and closeness to customers. Some 6,000 people at Hettich develop intelligent technology for furniture – with renewed commitment every day. Hettich is at home in Kirchlegern, Germany, where we create compelling solutions for people around the globe – solutions that make a big difference in furniture and in people's lives.

Finest quality workmanship



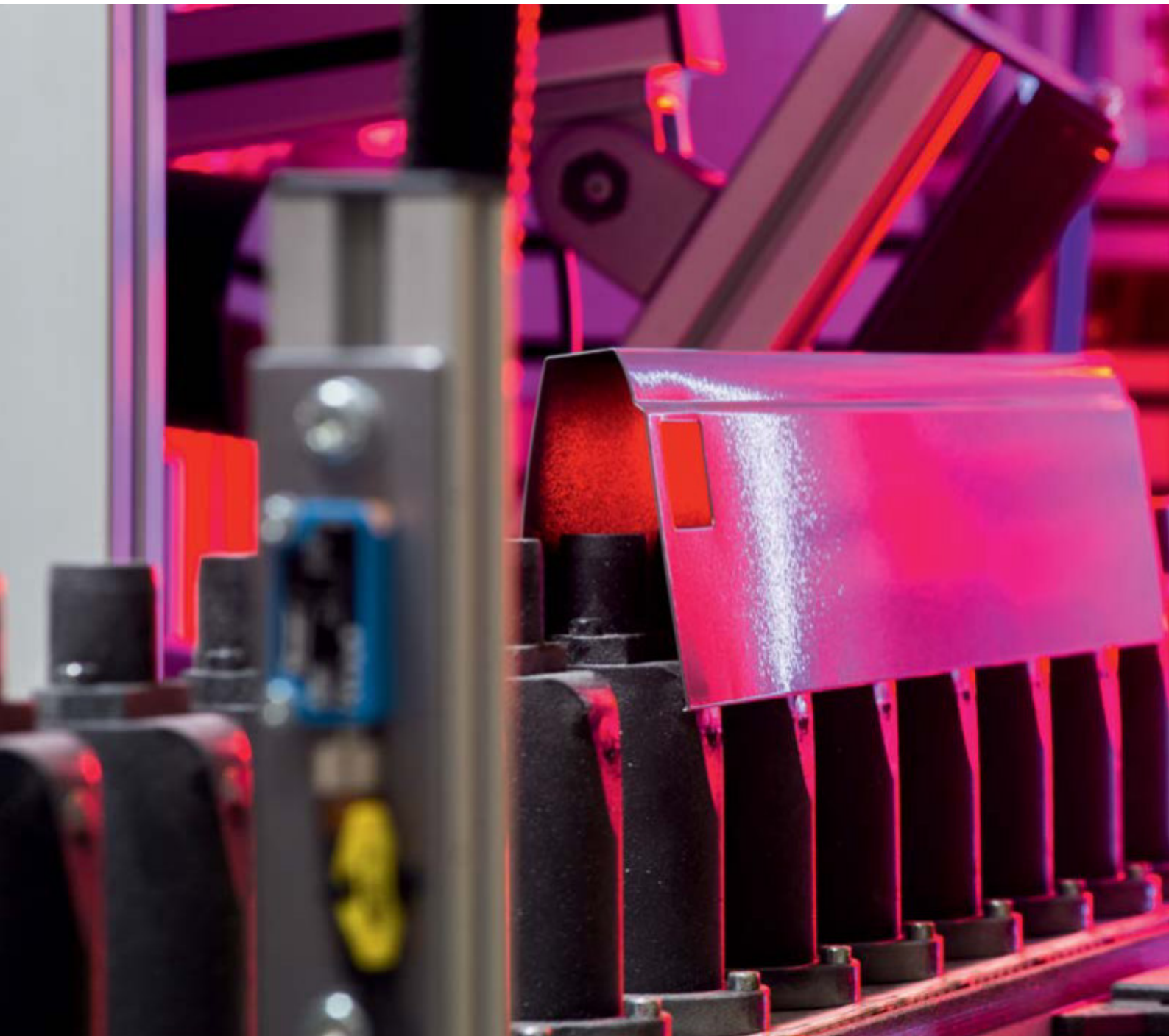
Our promise to you, our customers, is outstanding quality. In every single Hettich product. How do we keep this promise? With the passion, expertise and sophisticated production processes that make every Hettich product just what you have come to expect: reliable and long lasting, safe and easy to install and use.



We fully embrace our responsibility for the environment. We regard statutory regulations as minimum requirements which we exceed with tremendous drive and passion. At sites in an ecologically sensitive environment we apply the stringent EMAS Regulation. In everything we do, we focus on using nature's resources carefully and saving raw materials. Our Hettich Forum office building and showroom as well

as the ArciTech production facility are perfect examples of our sustainability philosophy. The new production building's primary energy requirement is 73 percent lower than limits set by the German Energy Saving Regulation. And the Hettich Forum has received the national Green Building Award.



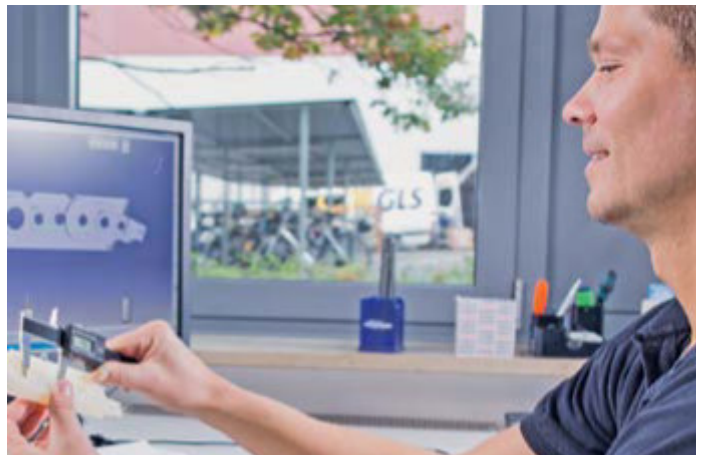


Hettich products must work safely and reliably. They must be sturdy and strong, easy to install and user friendly. This requirement profile demands ambitious research and development – and meticulous quality management.

In complex test procedures, we test every Hettich product for qualities such as durability, resistance to changing climatic conditions, safety and ergonomics.

The promise we give to our customers is: "fit and forget": once installed, Hettich products simply get on and do their job day after day after day. For furniture manufacturers, Hettich quality guarantees the reliability and long life of their own products. And the lasting satisfaction of furniture buyers.





German quality you can trust

## eServices: expertise on the web

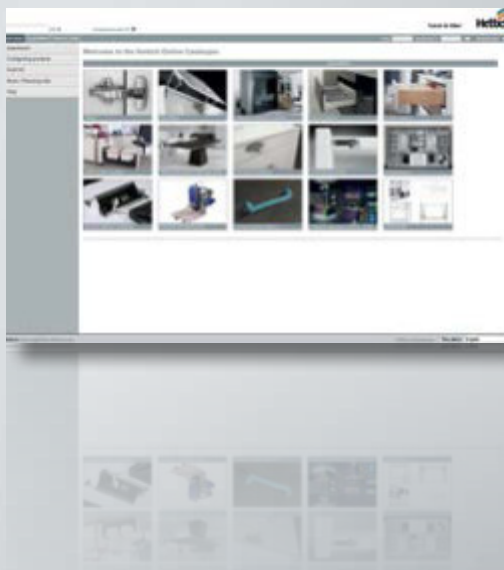
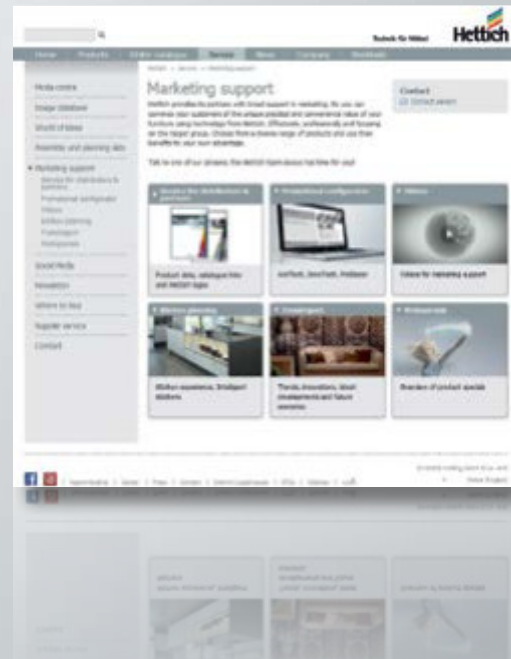
### Hettich app:

Our app is available from  
the respective online store



Hettich is your reliable partner on the web, too. Benefit from our intelligent online tools: product catalogues with CAD data in 2D and 3D, quickly downloaded drawings, instructions and certificates, planning aids and much more besides. Always up to date and quickly accessible from [www.hettich.com](http://www.hettich.com)





**Online catalogue for Hettich Fittings:** the easy way to find, select ... and order them directly online. With valuable additional information. This is also where you can order products noted down in the configurator, planning tool or flip page catalogue.

**Media library:** this is where you will find all Hettich catalogues, brochures, magazines, certificates, installation instructions ... and other current publications. With user friendly search function.

**Social Media:** Stay in touch with us! On Facebook there's always plenty of interesting Hettich news and open dialogue. YouTube shows you product films and installation videos.



To the online catalogue:  
<http://www.hettich.com/short/21d3e0>



To the Furniture Fittings and Applications flip page catalogue:  
<http://www.hettich.com/short/327b4a>



To Hettich on YouTube:  
<http://www.hettich.com/short/72e099>



# Flap fittings

## ► Summary of ranges

Flap fittings

10 - 14



Technical information  
Calculating flap weights

15 - 16



# Flap fittings

- ▶ Flap lift fitting
- ▶ HLB



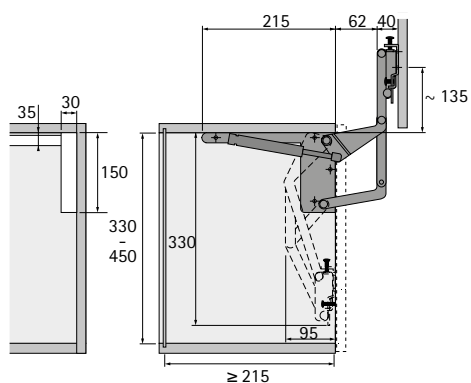
## HLB



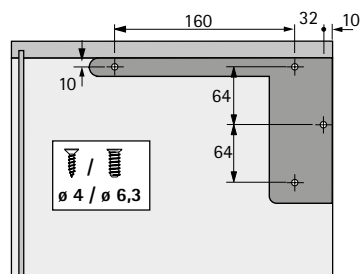
- ▶ For wooden front panels or framed wooden front panels
- ▶ For 16 carcass side
- ▶ Inside carcass width 567 mm
- ▶ Maximum flap weight 3.5 kg
- ▶ Fitted with 1 gas spring
- ▶ Two-dimensional front panel adjustment: vertical  $\pm 3$  mm, horizontal  $\pm 3$  mm
- ▶ Powder coated steel white

Order no.	PU
0 079 392	1 ea.

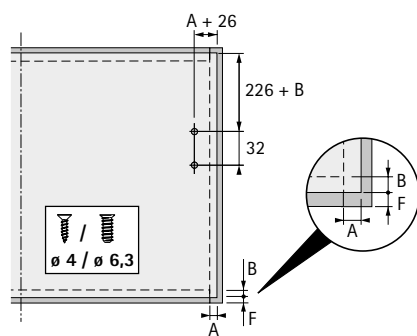
### Flap and opening dimensions



### Carcass drilling pattern



### Flap drilling pattern



# Flap fittings

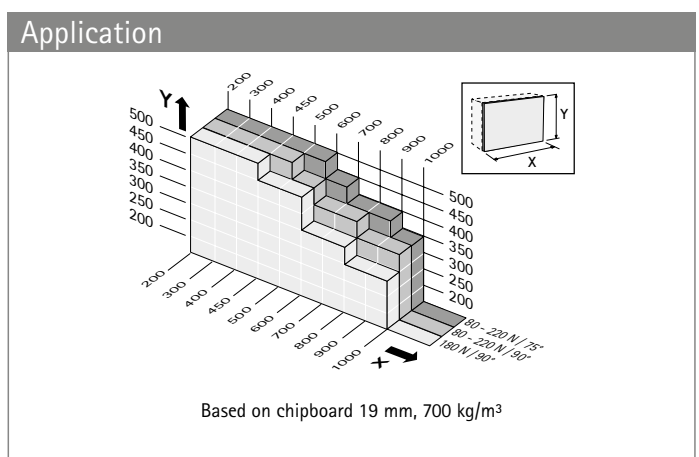
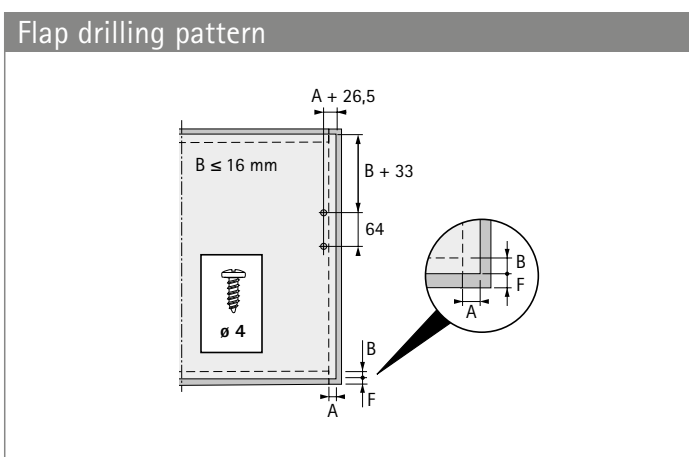
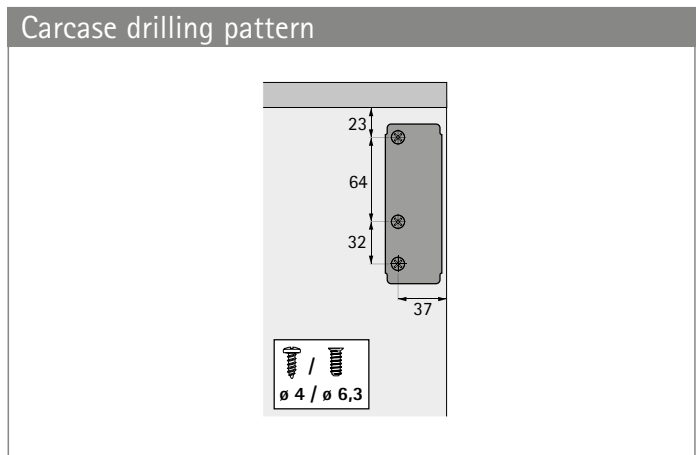
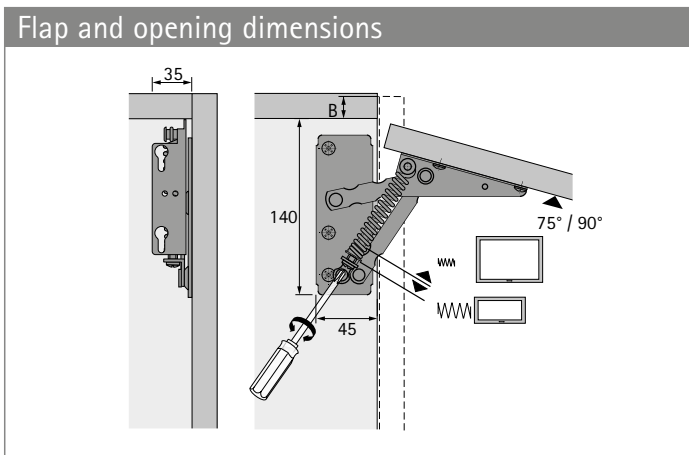
- ▶ Upward opening flap fitting
- ▶ Lift

## Lift



- ▶ For wooden front panels or framed wooden front panels
- ▶ Hole line application for fast, easy installation in system 32
- ▶ Flap dimensions: height 200 - 500 mm / width 300 - 1000 mm
- ▶ Steel, nickel plated

Opening angle °	Spring force N	Max. flap weight kg	Order no.	PU
75	80 - 220	4.6	<b>0 040 721</b>	1/10 pair
90	80 - 220	4.6	<b>0 010 921</b>	1/10 pair
90	180	3.3	<b>0 079 389</b>	1/10 pair



# Flap fittings

- ▶ Flap support
- ▶ KLS 10

## KLS 10



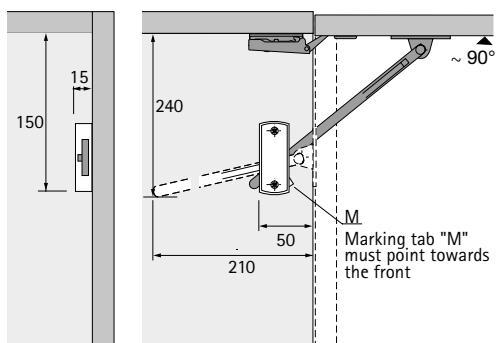
- ▶ For wooden front panels or framed wooden front panels
- ▶ Flap weight including handle max. 6 kg
- ▶ The flap is held open by a catch which is released when the flap is lifted slightly.
- ▶ Flap dimensions: height max. 500 mm / width max. 600 mm
- ▶ Suitable for use on the right
- ▶ Concealed hinges must be fitted at the top of the flap, please order separately
- ▶ Steel, nickel plated / plastic, white

Page reference:

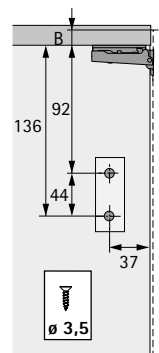
- ▶ For concealed hinges please see our latest hinge catalogue Intermat and Sensys

Order no.	PU
0 013 239	1/10 ea.

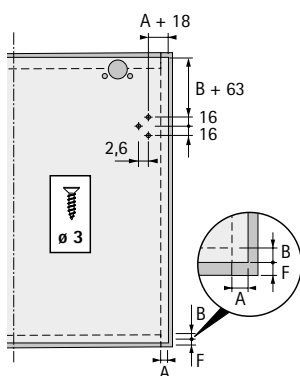
## Flap and opening dimensions



## Carcase drilling pattern



## Flap drilling pattern





# Flap fittings

- ▶ Flap support
- ▶ KLS 30

## KLS 30



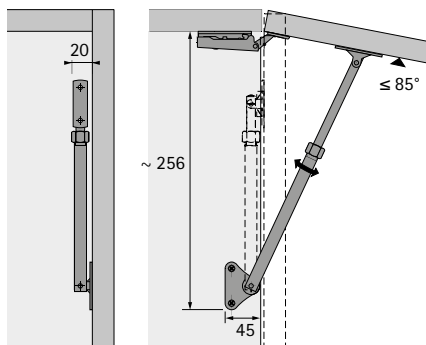
- ▶ For wooden front panels or framed wooden front panels
- ▶ Flap weight including handle max. 4 kg (when using 2 fittings)
- ▶ Adjustable opening force
- ▶ Flap dimensions: height max. 500 mm / width max. 600 mm
- ▶ Can be used on one or both sides
- ▶ Can be used on right or left
- ▶ Concealed hinges must be fitted at the top of the flap, please order separately
- ▶ Steel, nickel plated

Page reference:

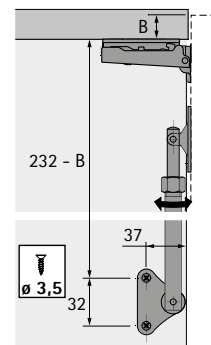
- ▶ For concealed hinges please see our latest hinge catalogue Intermat and Sensys

<b>Order no.</b>	PU
<b>0 016 179</b>	1/10 ea.

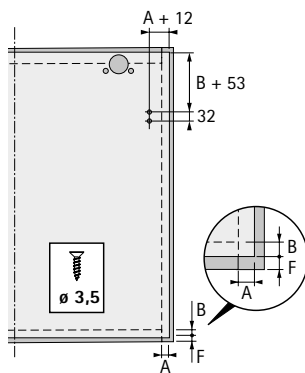
## Flap and opening dimensions



## Carcase drilling pattern



## Flap drilling pattern



## Application

Height mm	Width 450 mm	Width 500 mm	Width 600 mm
260	1	1	1
300	1	1	1
400	1	1	2
500	2	2	2

Number of fittings to be used depends on flap dimensions  
Based on 19 mm chipboard, 700 kg/m<sup>3</sup>

# Flap fittings

- ▶ Flap stay
- ▶ Centra S 250

## Centra S 250



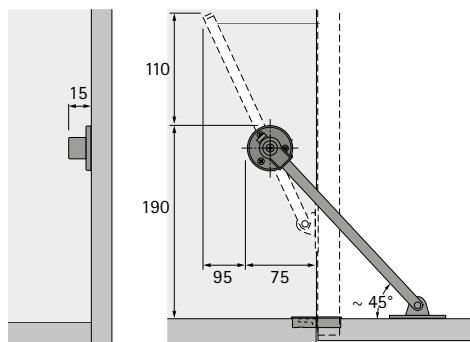
- ▶ For wooden front panels or framed wooden front panels
- ▶ Braking effect adjustable via clamping screw
- ▶ For right side
- ▶ Flap hinges must be fitted at the bottom of the flap, please order separately
- ▶ Steel, nickel plated / plastic white

Page reference:

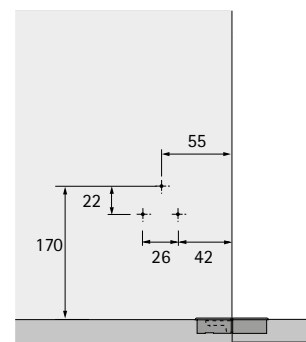
- ▶ For concealed hinges please see our latest hinge catalogue Intermat and Sensys

Order no.	PU
0 013 223	1/10 ea.

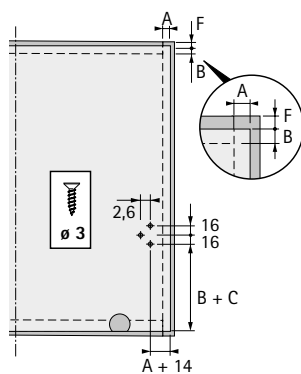
## Flap and opening dimensions



## Carcase drilling pattern



## Flap drilling pattern



## Installation dimensions

Dimension C depends on hinge used.  
Please carry out trial installation.

# Flap fittings

- ▶ Technical information
- ▶ Calculating flap weights

Weight table for chipboard

Chipboard	Flap width mm												
Flap height mm	300	400	500	600	700	800	900	1000	1100	1200	1300	1400	1500
300	1.2	1.6	2.0	2.4	2.8	3.2	3.6	4.0	4.4	4.8	5.2	5.6	6.0
350	1.4	1.9	2.3	2.8	3.3	3.7	4.2	4.7	5.1	5.6	6.1	6.5	7.0
400	1.6	2.2	2.7	3.2	3.7	4.3	4.8	5.3	5.9	6.4	6.9	7.5	8.0
450	1.8	2.4	3.0	3.6	4.2	4.8	5.4	6.0	6.6	7.2	7.8	8.4	9.0
500	2.0	2.7	3.3	4.0	4.7	5.3	6.0	6.7	7.3	8.0	6.7	9.3	10.0
550	2.2	3.0	3.7	4.4	5.1	5.9	6.6	7.3	8.1	8.8	9.5	10.2	11.0
600	2.4	3.2	4.0	4.8	5.6	6.4	7.2	8.0	8.8	9.6	10.4	11.2	12.0
650	2.6	3.5	4.3	5.2	6.1	6.9	7.8	8.7	9.5	10.4	11.2	12.1	13.0
700	2.8	3.7	4.7	5.6	6.5	7.5	8.4	9.3	10.2	11.2	12.1	13.0	14.0
750	3.0	4.0	5.0	6.0	7.0	8.0	9.0	10.0	11.0	12.0	13.0	14.0	15.0
800	3.2	4.3	5.3	6.4	7.5	8.5	9.6	10.6	11.7	12.8	13.8	14.9	16.0
850	3.4	4.5	5.7	6.8	7.9	9.0	10.2	11.3	12.4	13.6	14.7	15.8	17.0
900	3.6	4.8	6.0	7.2	8.4	9.6	10.8	12.0	13.2	14.4	15.6	16.8	18.0
950	3.8	5.0	6.3	7.6	8.8	10.1	11.4	12.6	13.9	15.2	16.4	17.7	19.0

Flap weight in kg (chipboard: 19 mm thick, density = 700 kg/m<sup>3</sup>)

Weight table for MDF board

MDF	Flap width mm												
Flap height mm	300	400	500	600	700	800	900	1000	1100	1200	1300	1400	1500
300	1.5	2.1	2.6	3.1	3.6	4.1	4.6	5.1	5.6	6.2	6.7	7.2	7.7
350	1.8	2.4	3.0	3.6	4.2	4.8	5.4	6.0	6.6	7.2	7.8	8.4	9.0
400	2.0	2.7	3.4	4.1	4.8	5.5	6.2	6.8	7.5	8.2	8.9	9.6	10.3
450	2.3	3.1	3.9	4.6	5.4	6.2	6.9	7.7	8.5	9.2	10.0	10.8	11.5
500	2.6	3.4	4.3	5.1	6.0	6.8	7.7	8.6	9.4	10.3	11.1	11.9	12.8
550	2.8	3.8	4.7	5.6	6.6	7.5	8.5	9.4	10.4	11.3	12.2	13.2	14.1
600	3.1	4.1	5.1	6.2	7.2	8.2	9.2	10.3	11.3	12.3	13.3	14.4	15.4
650	3.3	4.5	5.6	6.7	7.8	8.9	10.0	11.1	12.2	13.3	14.5	15.6	16.7
700	3.6	4.8	6.0	7.2	8.4	9.6	10.8	12.0	13.2	14.4	15.6	16.8	18.0
750	3.9	5.1	6.4	7.7	9.0	10.3	11.5	12.8	14.1	15.4	16.7	18.0	19.2
800	4.1	5.5	6.8	8.2	9.6	10.9	12.3	13.7	15.1	16.4	17.8	19.2	20.5
850	4.4	5.8	7.3	7.7	10.2	11.6	13.1	14.5	16.0	17.4	18.9	20.4	21.8
900	4.6	6.2	7.7	9.2	10.8	12.3	13.9	15.4	16.9	18.5	20.1	21.6	23.1
950	4.9	6.5	8.1	9.8	11.4	13.0	14.7	16.3	17.9	19.5	21.1	22.7	24.4

Flap weight in kg (MDF: 19 mm thick, density = 900 kg/m<sup>3</sup>)

# Flap fittings

- ▶ Technical information
- ▶ Calculating flap weights

## Adjustment to different material thicknesses

The values in the tables above refer to 19 mm thick material. The table value must be multiplied by a factor in order to adjust to material of a different thickness.

### Formula for conversion

Flap weight = weight of 19 mm thick flap according to table above x factor

## Conversion factors

Material thickness mm	Factor
15	0.79
16	0.84
18	0.95
19	1.00
20	1.05
22	1.16
23	1.21
26	1.37
29	1.53



# Easys electromechanical opening system



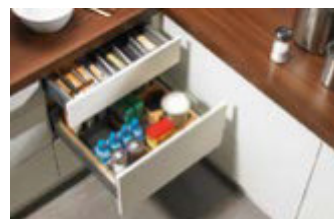
Gently opened and extremely convenient: with the Easys electromechanical opening system, drawers open all by themselves in response to a light press on the front panel. And thanks to Silent System, they can be closed again at any time just as smoothly.



Ideal for purist, handleless design - e.g. for large, heavy pull-outs.



Unobtrusive and space saving, Easys is located behind the drawer rear panel to make full use of storage space.



A cable can optionally be fitted to avoid collisions in face angle applications.



The Easys electromechanical opening system can be used in a variety of applications: ArciTech, InnoTech, InnoTech Atira, wooden drawers and pull-outs for sink units.



**Single unit application**

**20 - 21**



**System components  
for ArciTech, InnoTech Atira  
and Quadro for wooden drawers**

**22 - 29**

- ▶ For ArciTech, InnoTech Atira and Quadro with wooden drawers
- ▶ Single unit application

## Example application



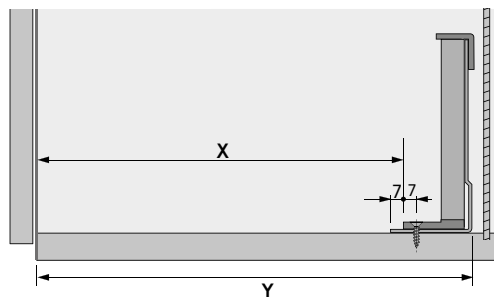
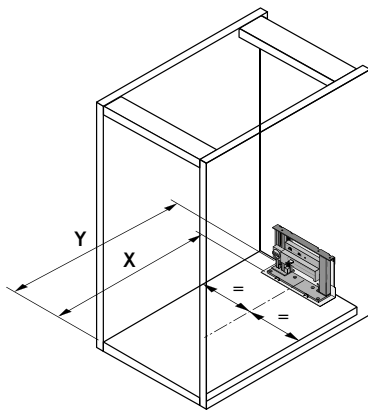
- ▶ Ideal for use with waste bins
- ▶ Can be added at any time
- ▶ Easy installation as few components:  
Connection directly to power supply unit (no more than one drive unit per power supply unit)
- ▶ No addressing necessary
- ▶ No synchronisation possible
- ▶ Not compatible with electrical system components 22 - 29

### Set comprises:

- ▶ 1 drive unit
- ▶ 1 mounting bracket
- ▶ 1 power supply unit
- ▶ 1 power supply unit holder
- ▶ 4 drill in buffers for fitting into the drawer front
- ▶ 1 drilling jig for drawer front
- ▶ 1 drilling depth limiter
- ▶ 1 hole marking template
- ▶ Fixing material
- ▶ 1 rear panel bracket 11 mm (only for ArciTech with steel rear panel)

Article	Order no.	PU
Easys-Set without power cord	<b>9 125 365</b>	1 set
Power Cord	<b>1 161 457</b>	1 ea.

## Planning dimensions

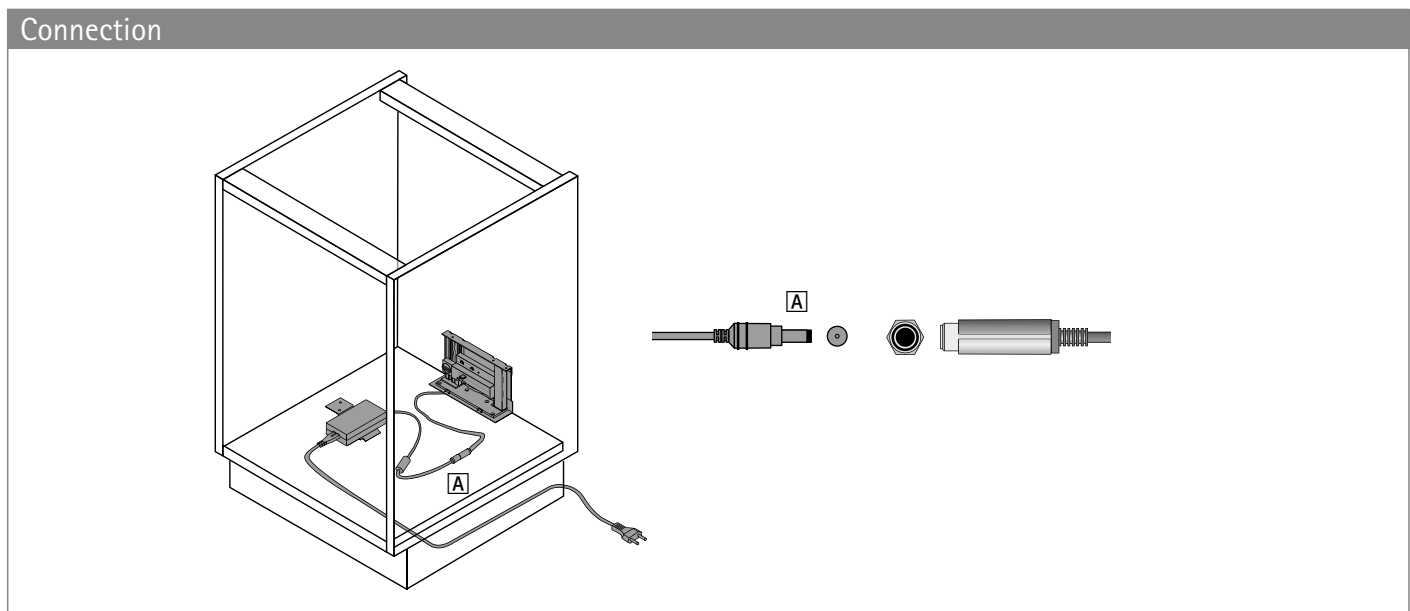
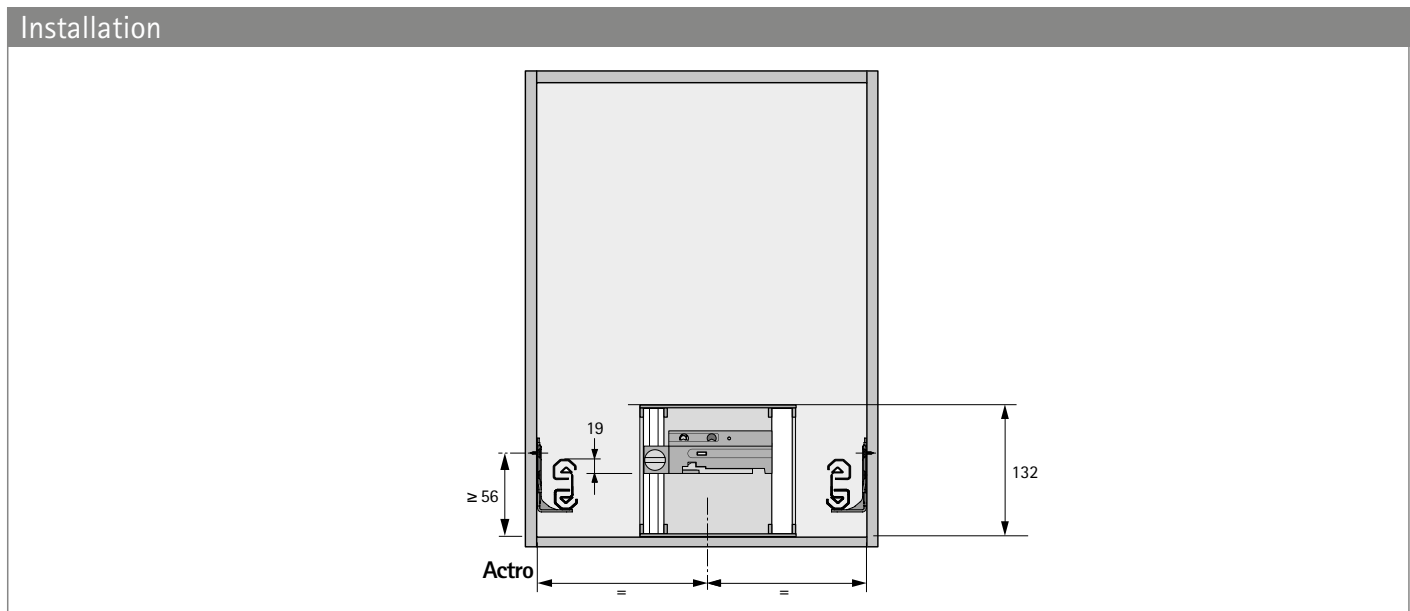
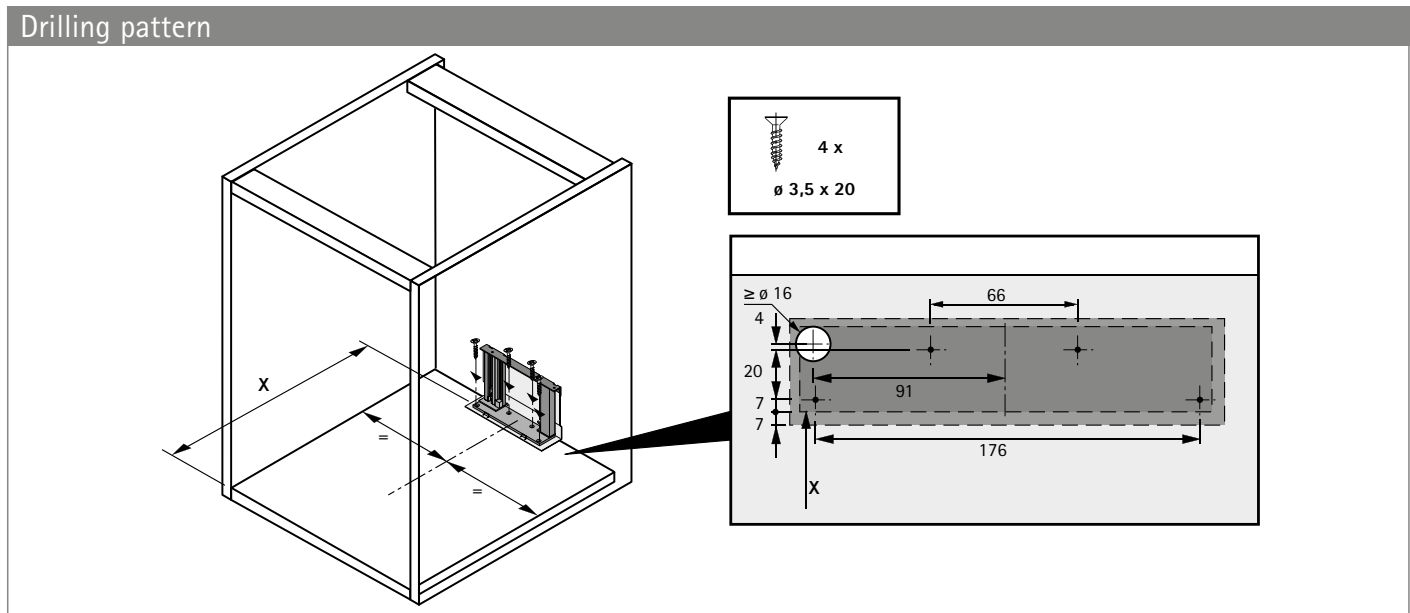


Minimum space required	X mm	Y mm
ArciTech with wooden / aluminium rear panel*	Nominal length - 13	Nominal length + 32
InnoTech Atira with wooden / aluminium rear panel*	Nominal length + 5	Nominal length + 50
Quadro with wooden drawers	Drawer length - 4	Drawer length + 42

\* Rear panel bracket must be fitted, see page 26



- ▶ For ArciTech, InnoTech Atira and Quadro with wooden drawers
- ▶ Single unit application



- ▶ For ArciTech, InnoTech Atira and Quadro with wooden drawers
- ▶ System components

## Set of profile mounts

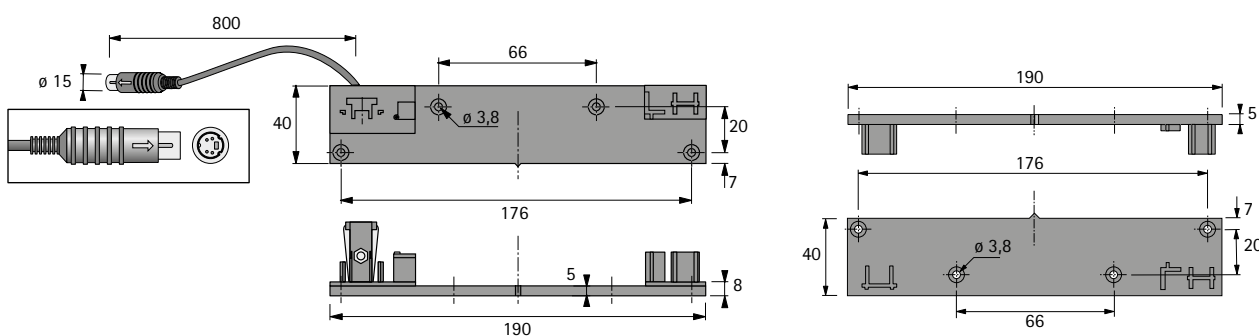


- ▶ For attaching the profiles to top and bottom panel

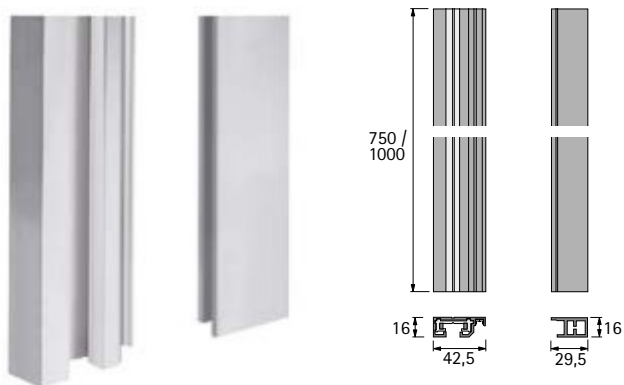
Set comprises:

- ▶ 1 bottom profile mount, including 800 mm connection cable
- ▶ 1 top profile mount

Order no.	PU
9 082 357	1 set



## Set of profiles



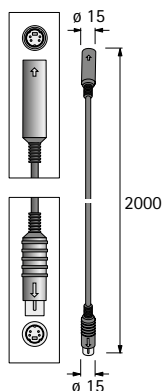
- ▶ For up to 6 drive units
- ▶ Can be shortened as required
- ▶ Aluminium

Set comprises:

- ▶ 1 mounting profile with integrated power and data cables (left)
- ▶ 1 mounting profile without cables (right)

Length mm	Order no.	PU
750	9 082 353	1 set
1000	9 082 356	1 set

## Extension lead



- ▶ For extending the connection cable on the profile mount set or mounting bracket - only one extension lead may be used per connection cable
- ▶ Length 2000 mm

Advice:

- ▶ **Please note:** observe max. cable length for each power supply unit, see page 25

Order no.	PU
9 100 852	1 ea.

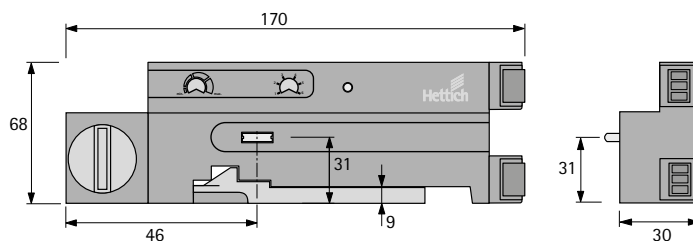
- ▶ For ArciTech, InnoTech Atira and Quadro with wooden drawers
- ▶ System components

## Drive unit



- ▶ For opening the drawer / pot-and-pan drawer
- ▶ Tool-less assembly on profiles with automatic power supply
- ▶ Driving force infinitely adjustable
- ▶ **For use in the following countries:**  
Australia, Austria, Belgium, Bulgaria, Belarus, Cyprus, Czech Republic, Denmark, Estonia, Finland, France, Germany, Greece, Hungary, Iceland, India, Ireland, Italy, Japan, Latvia, Liechtenstein, Lithuania, Luxembourg, Malta, The Netherlands, New Zealand, Norway, Poland, Portugal, Romania, Russia, Singapore, Slovakia, Slovenia, Sweden, Switzerland, Spain, Ukraine, United Arab Emirates, United Kingdom – other countries on request

Order no.	PU
9 078 139	1 ea.

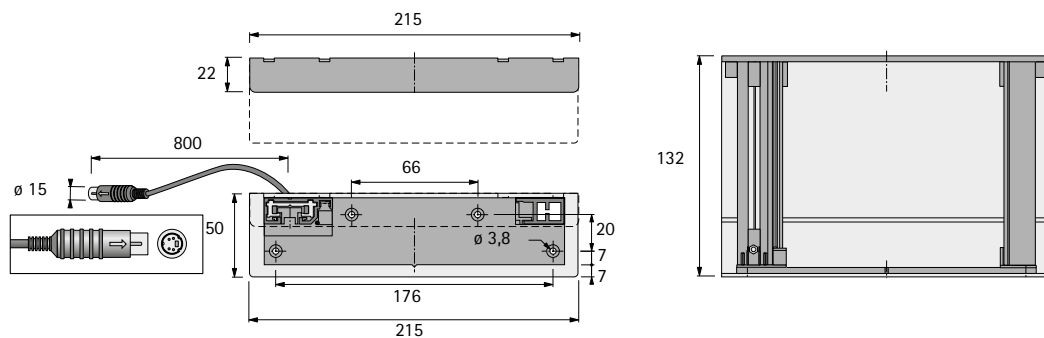


## Mounting bracket



- ▶ Used for special fitting situations, instead of the set of profiles and profile mounts
- ▶ For one drive unit
- ▶ With 800 mm connection cable

Order no.	PU
9 082 358	1 ea.



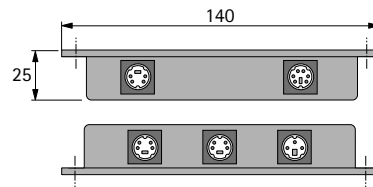
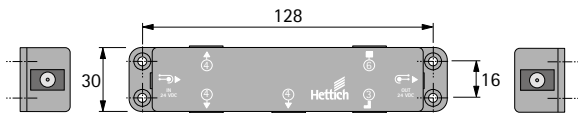
- ▶ For ArciTech, InnoTech Atira and Quadro with wooden drawers
- ▶ System components

## Distribution block

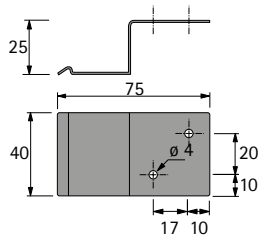


- ▶ One distribution block is required per carcass

Order no.	PU
9 082 360	1 ea.



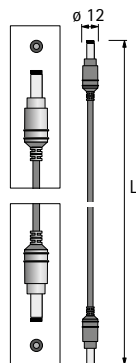
## Distribution block bracket



- ▶ For mounting on the wall or bottom of the carcass
- ▶ For simplifying distribution block installation / removal

Order no.	PU
9 097 923	1 ea.

## Distribution block extension



- ▶ For connecting distribution block to distribution block

Advice:

- ▶ **Please note:** observe max. cable length for each power supply unit, see page 25

Length mm	Order no.	PU
1500	9 082 362	1 ea.
2500	9 106 449	1 ea.

# Easys electromechanical opening system

- ▶ For ArciTech, InnoTech Atira and Quadro with wooden drawers
- ▶ System components

## Power supply unit

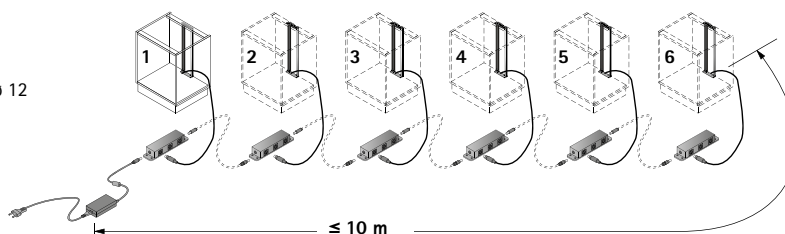
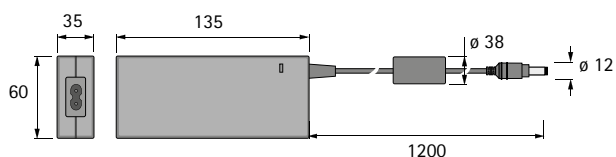


- ▶ 100 - 240 V, 50 - 60 Hz
- ▶ For connecting up to 6 distribution blocks
- ▶ Protection Class II
- ▶ 1200 mm secondary cable to the first distribution block
- ▶ Mains power cable must be ordered separately
- ▶ Including front panel drilling jig

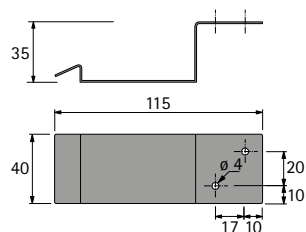
Page reference:

- ▶ Mains power cable must be ordered separately, see below

Order no.	PU
9 082 363	1 ea.



## Power supply unit bracket



- ▶ For mounting on the wall or bottom of the carcass

Order no.	PU
9 082 364	1 ea.

## Mains power cable

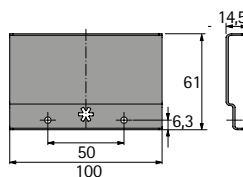


- ▶ Length 1800 mm

Order no.	PU
1 161 457	1 ea.

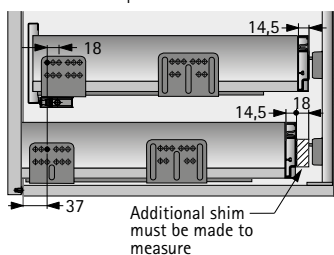
- ▶ For ArciTech, InnoTech Atira and Quadro with wooden drawers
- ▶ System components

## ArciTech rear panel bracket

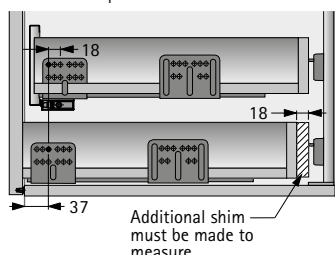


Order no.	PU
9 134 769	1 ea.

Aluminium rear panel



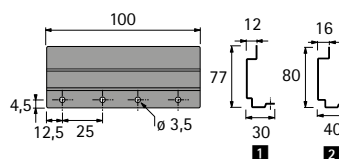
Wooden rear panel



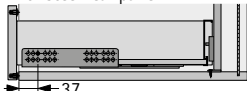
## InnoTech / InnoTech Atira rear panel bracket



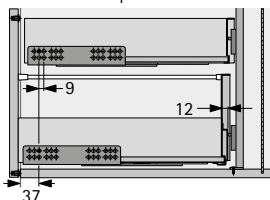
Article type	Order no.	PU
<b>1</b> 12 mm	9 086 714	1 ea.
<b>2</b> 16 mm	9 097 922	1 ea.



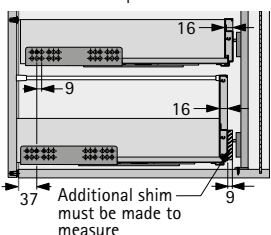
Drawer / pot-and-pan drawer with steel rear panel



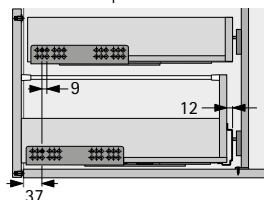
Internal drawer / internal pot-and-pan drawer with steel rear panel



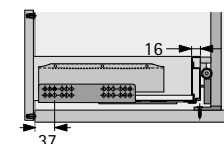
Aluminium rear panel



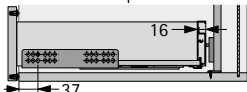
Wooden rear panel



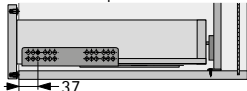
Drawer / pot-and-pan drawer with steel or aluminium rear panel and side stabiliser



Aluminium rear panel



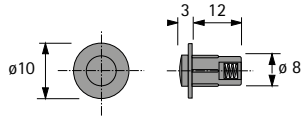
Wooden rear panel



# Easys electromechanical opening system

- ▶ For ArciTech, InnoTech Atira and Quadro with wooden drawers
- ▶ System components

## Buffer for drilling into the front panel



- ▶ For fitting into the front panel
- ▶ 4 each must be mounted per front panel for front panel heights of more than 300 mm

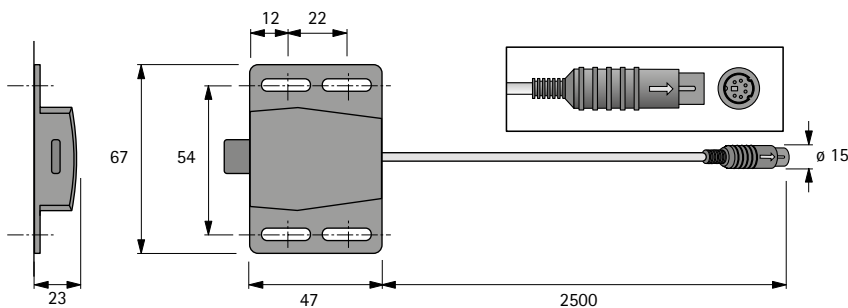
<b>Order no.</b>	PU
<b>9 082 365</b>	2 ea.

## Sensor



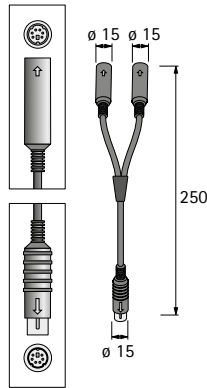
- ▶ For reliable activation with very high front panels
- ▶ Can be retrofitted
- ▶ Always activates the drive unit addressed to 1

<b>Order no.</b>	PU
<b>9 079 944</b>	1 ea.



- ▶ For ArciTech, InnoTech Atira and Quadro with wooden drawers
- ▶ System components

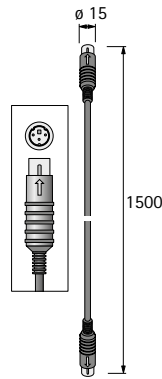
## Y-cable for sensor



- ▶ Required when using two sensors

Order no.	PU
9 084 794	1 ea.

## Cable for corner solution



- ▶ Prevents drawers or pot-and-pan drawers from being opened at the same time in diagonally opposite units

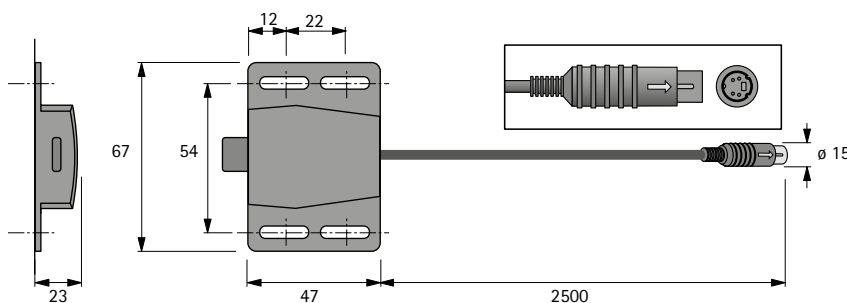
Order no.	PU
9 084 790	1 ea.

## Button for collision guard



- ▶ Collision guard: prevents drawers or pot-and-pan drawers from opening when positioned next to or diagonally opposite units with hinged doors, larger units or similar cabinets

Order no.	PU
9 105 850	1 ea.





# Easys electromechanical opening system

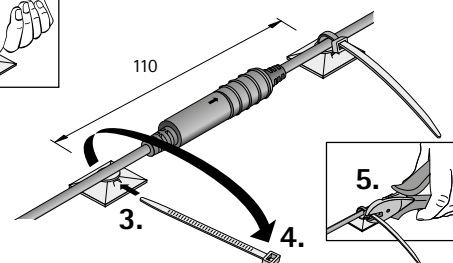
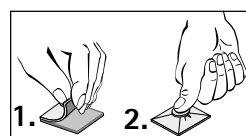
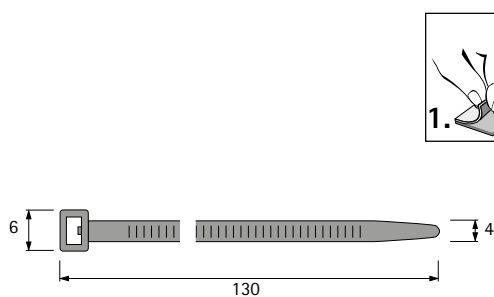
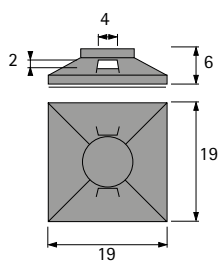
- ▶ For ArciTech, InnoTech Atira and Quadro with wooden drawers
- ▶ System components

## Set of cable ties



- Set comprises:
- ▶ 50 self adhesive base plates
  - ▶ 50 cable ties

Order no.	PU
9 109 834	1 set



# Drawer runners for wooden drawers

## ▶ KA ball bearing runners



### Intelligent technology – robust quality:

The ball bearing runners from Hettich guarantee smooth running action and high lateral stability. Hardened steel ball bearings, enclosed in noise absorbing plastic, provide many years of reliable, maintenance free service in any

application. Available as partial, full or over extension runners, they are the ideal choice when it come to meeting exacting demands in the office, living room or bedroom.



**Full extension runner:**  
with smooth gliding action and ergonomic access to drawer contents, load capacity up to 45 kg.



**Over extension runner:**  
whole storage space at a glance, with a load capacity up to 90 kg.

- ▶ KA ball bearing runners
- ▶ Summary



Ball bearing runners for side installation

32 - 37



Ball bearing runners for overlay installation  
Range summary / technical comparison

38



Technical information

39

# Drawer runners for wooden drawers

- ▶ KA 4532 full extension runner with Silent System for side installation
- ▶ Load capacity 35 kg

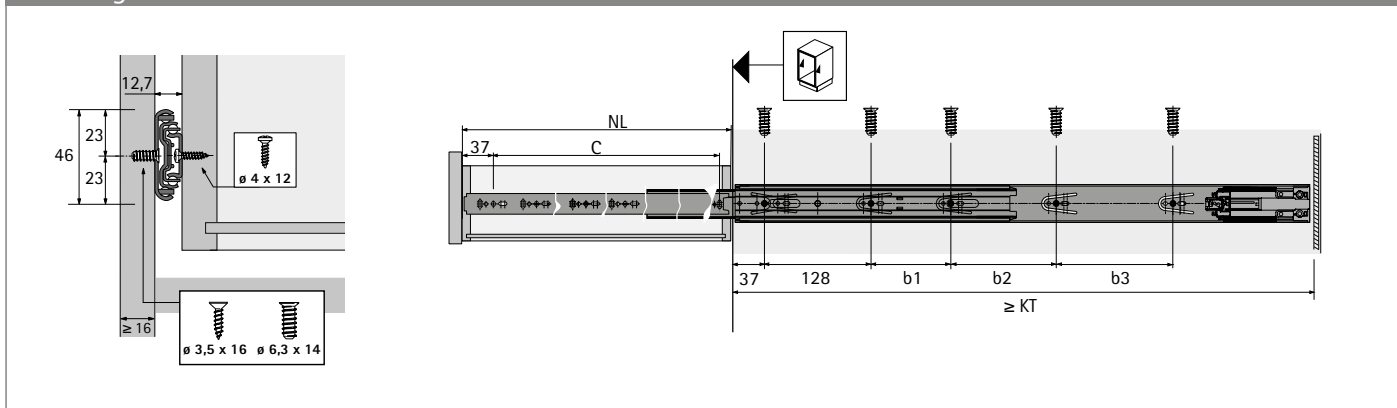


- ▶ **Silent System** - the integrated Silent System closes the drawer quietly and gently
- ▶ A release lever makes the drawer easy to remove and reinstall
- ▶ Precision control for moving smoothly and freely and high lateral stability
- ▶ For drawers with grooved, rebated or loosely fitted drawer bottom panel
- ▶ Load capacity to EN 15338, Level 2
- ▶ Galvanised steel, blue passivated

## Ball bearing runner KA 4532 Silent System, 12.7 mm installed width

Nominal length / drawer length NL mm	Minimum carcass depth KT mm	Hole spacing b1 mm	Hole spacing b2 mm	Hole spacing b3 mm	Hole spacing C mm	Order no.	PU
300	304				171	9 114 271	1/10 pairs
350	354	64			220	9 114 273	1/10 pairs
400	404	64			254	9 114 274	1/10 pairs
450	454	96			294	9 114 275	1/10 pairs
500	504	96	64		344	9 114 276	1/10 pairs
550	554	96	128		394	9 114 277	1/10 pairs
600	604	96	160		444	9 114 278	1/10 pairs
650	654	96	128	96	494	9 114 279	1/10 pairs

## Planning dimensions



## Advice

- ▶ For technical information, see page 39
- ▶ For accessories, see page 46 - 48

# Drawer runners for wooden drawers

- ▶ KA 4532 full extension runner with Push to open for side installation
- ▶ Load capacity 35 kg

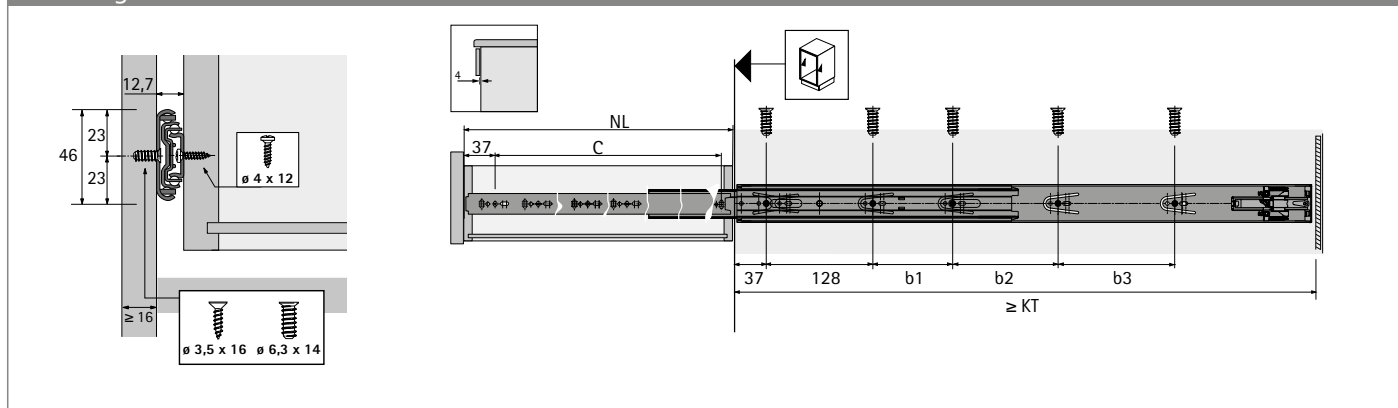


- ▶ **Push to open** - the precision activating mechanism opens the drawer automatically and in virtual silence - a light press is all it takes!
- ▶ A release lever makes the drawer easy to remove and reinstall
- ▶ Precision control for moving smoothly and freely and high lateral stability
- ▶ For drawers with grooved, rebated or loosely fitted drawer bottom panel
- ▶ Load capacity to EN 15338, Level 2
- ▶ Galvanised steel, blue passivated

## Ball bearing runner KA 4532 Push to open, 12.7 mm installed width

Nominal length / drawer length NL mm	Minimum carcase depth KT mm	Hole spacing b1 mm	Hole spacing b2 mm	Hole spacing b3 mm	Hole spacing C mm	Order no.	PU
300	304				192	9 114 281	1/10 pairs
350	354	64			242	9 114 282	1/10 pairs
400	404	96			292	9 114 283	1/10 pairs
450	454	160			342	9 114 284	1/10 pairs
500	504	96	96		392	9 114 285	1/10 pairs
550	554	96	128		442	9 114 286	1/10 pairs
600	604	96	128	96	492	9 114 288	1/10 pairs

## Planning dimensions



## Advice

- ▶ For technical information, see page 39
- ▶ For accessories, see page 46 - 48

# Drawer runners for wooden drawers

- ▶ KA 5632 SC full extension runner with Stop Control for side installation
- ▶ Load capacity 40 kg

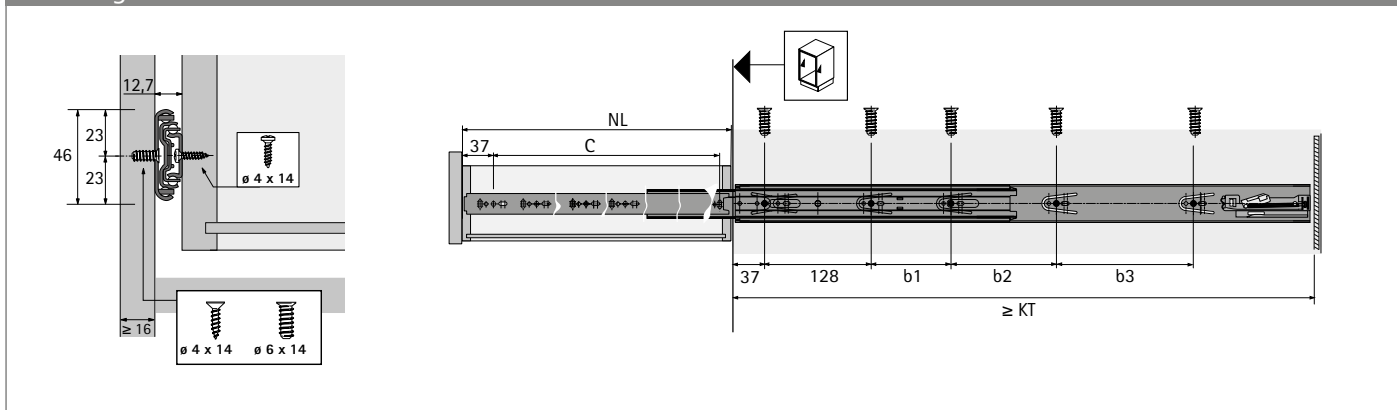


- ▶ **Stop Control** – integrated self closing reliably and automatically closes the drawer
- ▶ A release lever makes the drawer easy to remove and reinstall
- ▶ Precision control for moving smoothly and freely and high lateral stability
- ▶ For drawers with grooved, rebated or loosely fitted drawer bottom panel
- ▶ Load capacity to EN 15338, Level 1
- ▶ Galvanised steel, blue passivated

## KA 5632 ball bearing runner SC with self closing mechanism, 12.7 mm installed width

Nominal length / drawer length NL mm	Minimum carcass depth KT mm	Hole spacing b1 mm	Hole spacing b2 mm	Hole spacing b3 mm	Hole spacing C mm	Order no.	PU
300	304				208	9 068 958	10 pair
350	354				240	9 068 961	10 pair
400	404	96			288	9 068 962	10 pair
450	454	96			320	9 068 963	10 pair
500	504	96	128		352	9 068 964	10 pair
550	554	96	128		416	9 068 965	10 pair
600	604	96	128	96	416	9 068 966	10 pair

## Planning dimensions



## Advice

- ▶ For technical information, see page 39
- ▶ For accessories, see page 46 - 48

# Drawer runners for wooden drawers

- ▶ KA 5632 full extension runner for side installation
- ▶ Load capacity 45 kg

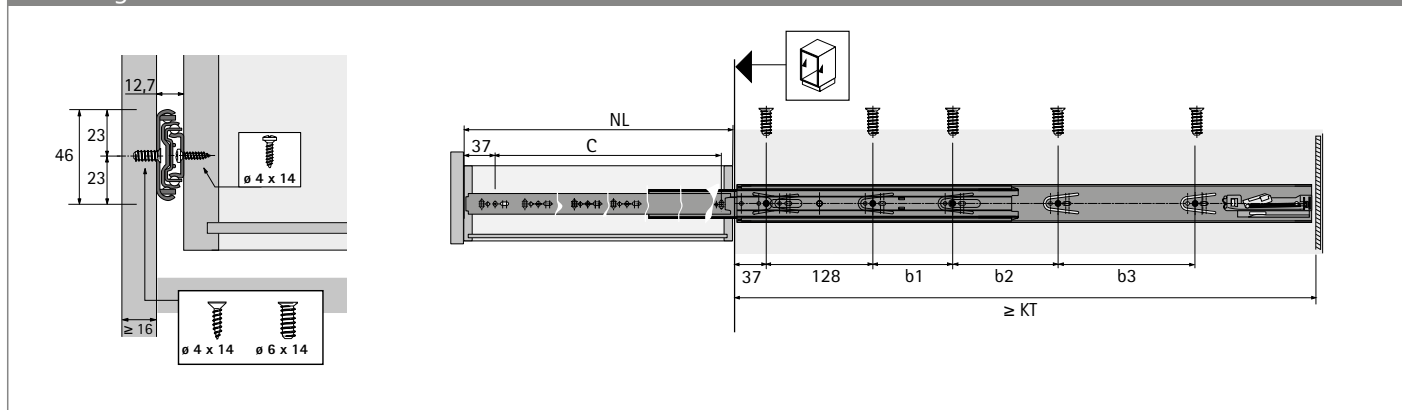


- ▶ Precision full extension runner with pull-out stop and roll-out prevention
- ▶ A release lever makes the drawer easy to remove and reinstall
- ▶ Precision control for moving smoothly and freely and high lateral stability
- ▶ For drawers with grooved, rebated or loosely fitted drawer bottom panel
- ▶ Load capacity to EN 15338, Level 1
- ▶ Galvanised steel, blue passivated

## KA 5632 ball bearing runner, 12.7 mm installed width

Nominal length / drawer length NL mm	Minimum carcass depth KT mm	Hole spacing b1 mm	Hole spacing b2 mm	Hole spacing b3 mm	Hole spacing b4 mm	Hole spacing b5 mm	Hole spacing C mm	Order no.	PU
250	254						192	1 071 891	10 pair
300	304	96					242	1 071 893	10 pair
350	354	96					292	1 071 894	10 pair
400	404	96	96				342	1 071 895	10 pair
450	454	96	128				392	1 071 896	10 pair
500	504	96	128	64			442	1 071 897	10 pair
550	554	96	128	64	32	32	492	1 071 898	10 pair
600	604	96	128	96	32	32	542	1 071 899	10 pair
650	654	96	128	160	32	32	592	1 071 900	10 pair

## Planning dimensions



## Advice

- ▶ For technical information, see page 39
- ▶ For accessories, see page 46 - 48

# Drawer runners for wooden drawers

- ▶ KA 4932 over extension runner for side installation
- ▶ Load capacity 60 kg

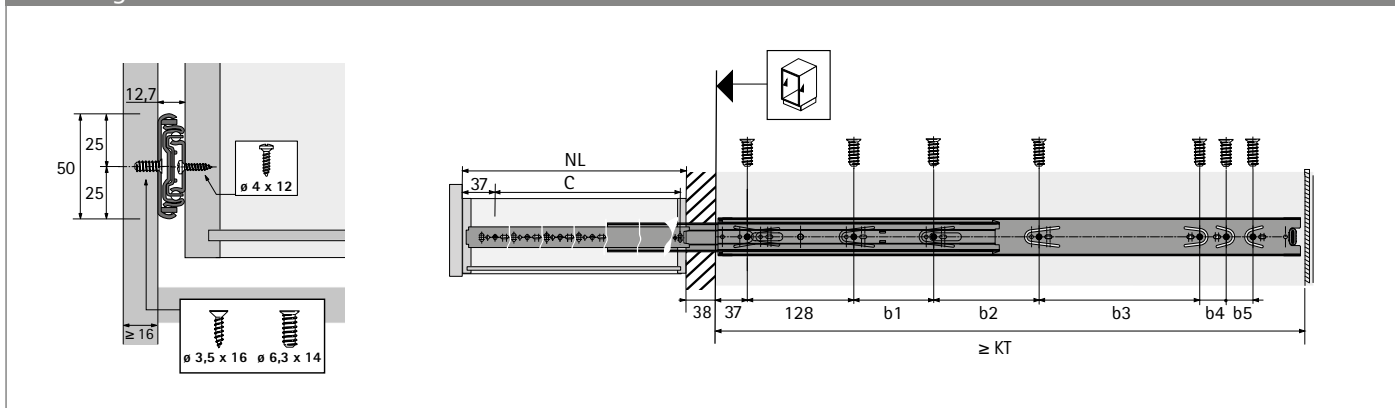


- ▶ Over extension runner with pull-out stop and roll-out prevention
- ▶ A release lever makes the drawer easy to remove and reinstall
- ▶ Precision control for moving smoothly and freely and high lateral stability
- ▶ For drawers with grooved, rebated or loosely fitted drawer bottom panel
- ▶ Load capacity to EN 15338, Level 1
- ▶ Galvanised steel, blue passivated

## KA 4932 ball bearing runner, 12.7 mm installed width

Nominal length / drawer length NL mm	Minimum carcass depth KT mm	Hole spacing b1 mm	Hole spacing b2 mm	Hole spacing b3 mm	Hole spacing b4 mm	Hole spacing b5 mm	Hole spacing C mm	Order no.	PU
350	354	96					292	<b>0 041 358</b>	1 pair
400	404	96	96				342	<b>0 041 359</b>	1 pair
450	454	96	128				392	<b>0 041 361</b>	1 pair
500	504	96	128	64			442	<b>0 041 362</b>	1 pair
550	554	96	128	64	32	32	492	<b>0 041 363</b>	1 pair
600	604	96	128	96	32	32	542	<b>0 041 364</b>	1 pair
650	654	96	128	160	32	32	592	<b>0 041 365</b>	1 pair

## Planning dimensions



## Advice

- ▶ For technical information, see page 39
- ▶ For accessories, see page 46 - 48



# Drawer runners for wooden drawers

- ▶ KA 4620 over extension runner for side installation
- ▶ Load capacity 90 kg

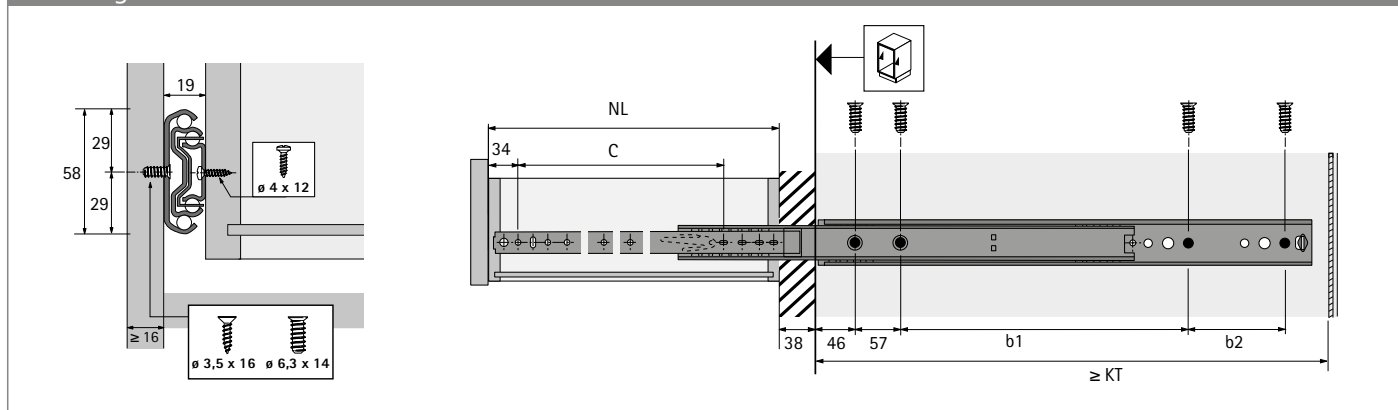


- ▶ Over extension runner with pull-out stop and roll-out prevention
- ▶ A release lever makes the drawer easy to remove and reinstall
- ▶ Precision control for moving smoothly and freely and high lateral stability
- ▶ For drawers with grooved, rebated or loosely fitted drawer bottom panel
- ▶ Load capacity to EN 15338, Level 1
- ▶ Galvanised steel, blue passivated

## KA 4620 ball bearing runner, 19 mm installed width

Nominal length / drawer length NL mm	Minimum carcass depth KT mm	Hole spacing b1 mm	Hole spacing b2 mm	Hole spacing C mm	Order no.	PU
450	454	136	139	383,5	<b>0 041 393</b>	1 pair
500	504	161	164	433,5	<b>0 041 394</b>	1 pair
550	554	186	189	483,5	<b>0 041 395</b>	1 pair
600	604	211	214	533,5	<b>0 041 396</b>	1 pair
650	654	236	239	583,5	<b>0 041 397</b>	1 pair
700	704	261	264	633,5	<b>0 041 398</b>	1 pair

## Planning dimensions



## Advice

- ▶ For technical information, see page 39
- ▶ For accessories, see page 46 - 48

# Drawer runners for wooden drawers

- ▶ KA 4532 AM full extension runner with Silent System for overlay installation
- ▶ Load capacity 35 kg

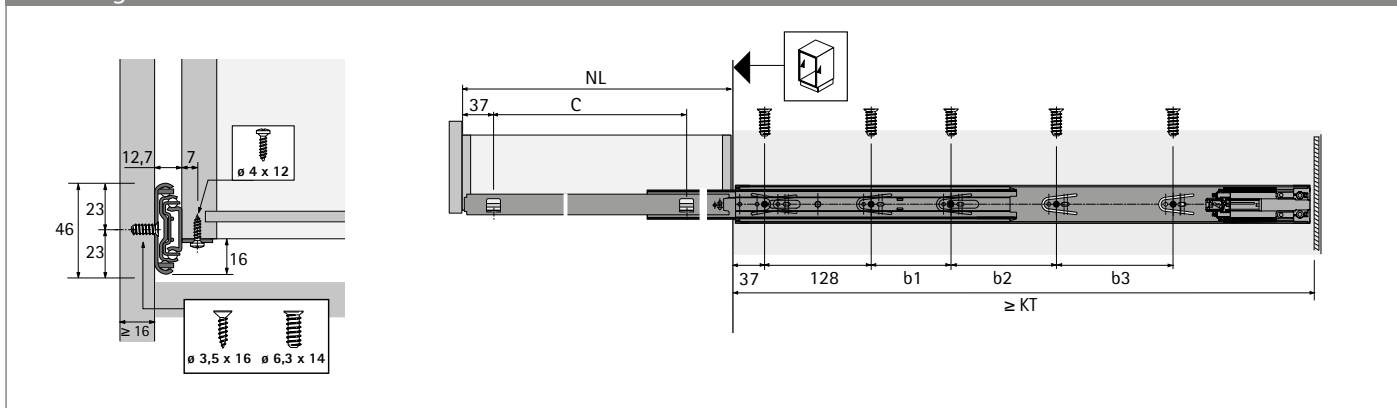


- ▶ **Silent System** - the integrated Silent System closes the drawer quietly and gently
- ▶ A release lever makes the drawer easy to remove and reinstall
- ▶ Precision control for moving smoothly and freely and high lateral stability
- ▶ For wooden drawers and pull-out shelves
- ▶ Load capacity to EN 15338, Level 2
- ▶ Galvanised steel, blue passivated

## KA 4532 AM ball bearing runner Silent System, 12.7 mm installed width

Nominal length / drawer length NL mm	Minimum carcass depth KT mm	Hole spacing b1 mm	Hole spacing b2 mm	Hole spacing b3 mm	Hole spacing C mm	Order no.	PU
300	304				230	9 114 548	1/10 pairs
350	354	64			280	9 114 553	1/10 pairs
400	404	64			315	9 114 554	1/10 pairs
450	454	96			365	9 114 555	1/10 pairs
500	504	96	64		415	9 114 557	1/10 pairs
550	554	96	128		465	9 114 558	1/10 pairs
600	604	96	160		515	9 114 559	1/10 pairs
650	654	96	128	96	565	9 114 560	1/10 pairs

## Planning dimensions



## Advice

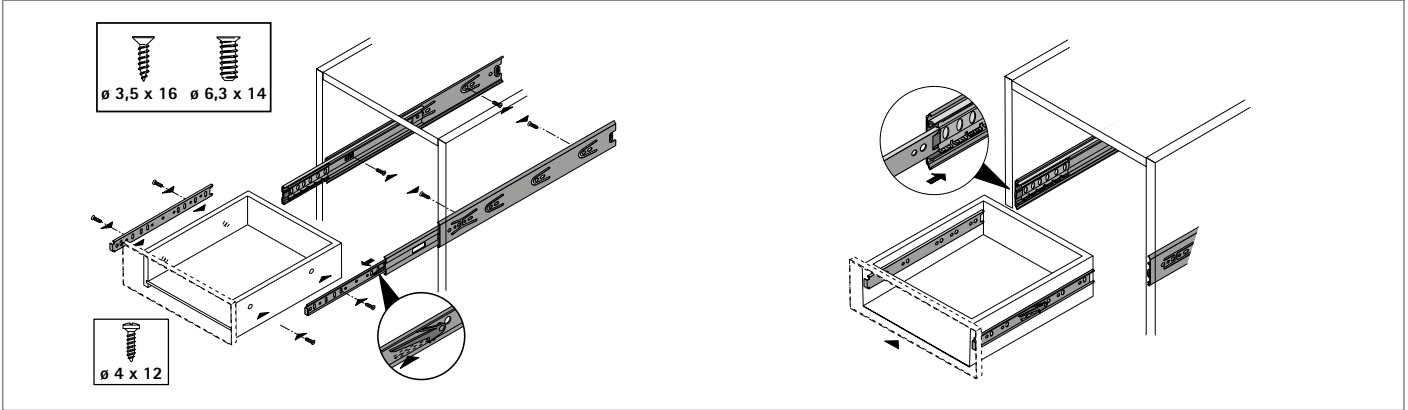
- ▶ For technical information, see page 39
- ▶ For accessories, see page 46 - 48

# Drawer runners for wooden drawers

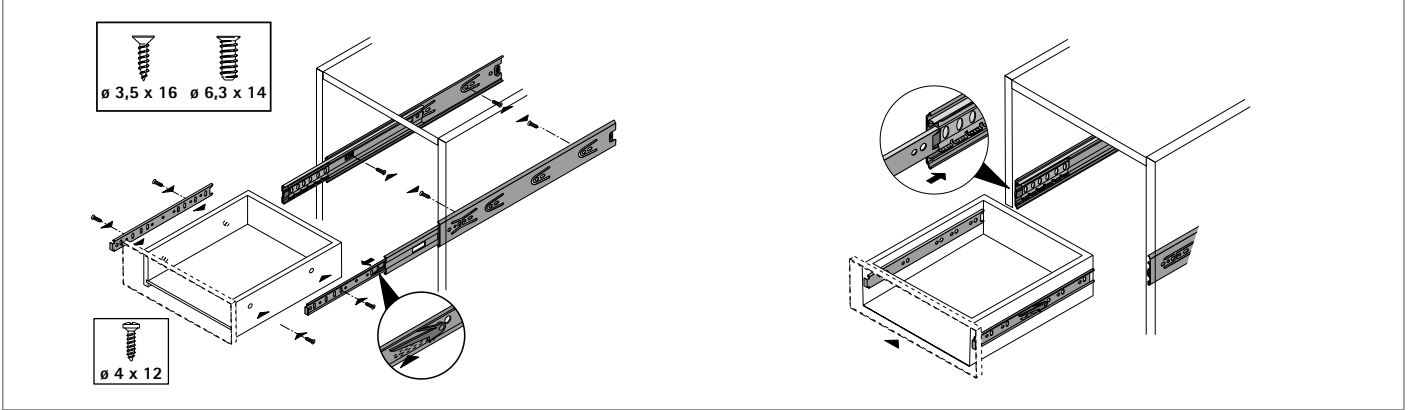


- ▶ KA ball bearing runner
- ▶ Technical information

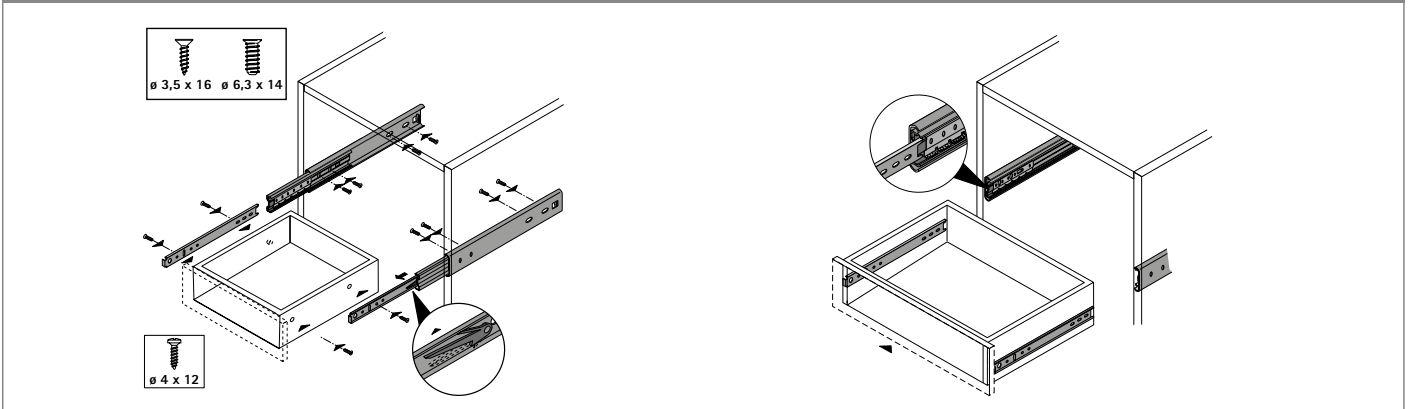
## KA 4532



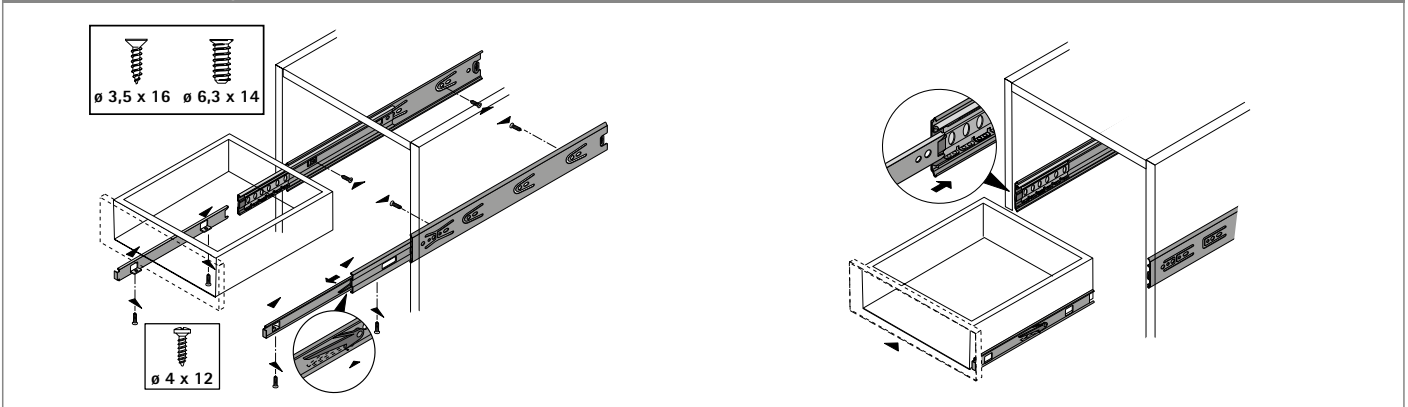
## KA 5632 SC, 5632, 4932



## KA 4620



## KA 4532 Silent System AM



## Drawer runners for wooden drawers

### ► FR roller runners



**Noticeable convenience opening and closing drawers:** roller runners with integrated self closing function and roll-out prevention. A further benefit: the drawers are easy to remove, e.g. for thorough cleaning or for quickly taking

their contents somewhere else. The system is simple and secure, sturdy and durable, open to tolerances and production-friendly.



**Partial extension runner:**  
load capacity of up to 30 kg.  
Suitable for many applications.



**Over extension runner:**  
with a load capacity up to 50 kg.  
Unobstructed view of everything inside.

- ▶ FR roller runners
- ▶ Summary



**Roller runners with Stop Control / partial extension runners**  
Range summary / technical comparison

42 - 43



**Roller runner with Stop Control / over extension runner**  
Range summary / technical comparison

44



**Technical Information**

45

# Drawer runners for wooden drawers

- ▶ FR 402 partial extension runner with Stop Control
- ▶ Load capacity 25 kg

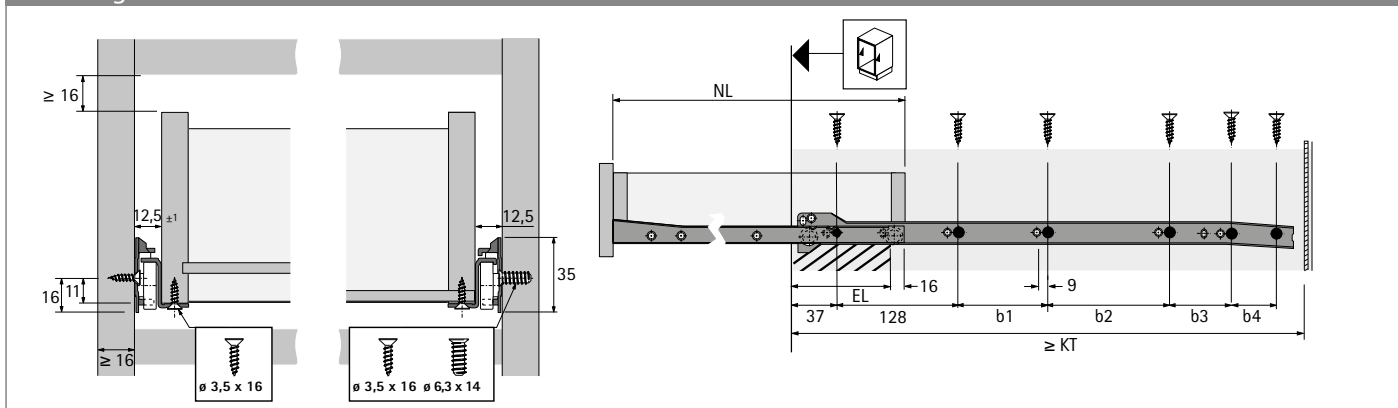


- ▶ **Stop Control** - integrated self closing mechanism for automatic closure
- ▶ With double stop and roll-out prevention
- ▶ With captive guide rail on one side
- ▶ Automatic tolerance compensation  $\pm 1$  mm
- ▶ Load capacity to EN 15338, Level 1
- ▶ powder coated steel, white

## FR 402 roller runner

Nominal length / drawer length NL mm	Minimum carcass depth KT mm	Extension loss EL mm	Hole spacing b1 mm	Hole spacing b2 mm	Hole spacing b3 mm	Hole spacing b4 mm	Order no.	PU
350	353	69	96	64			<b>1 056 058</b>	1/100 pair
400	403	69	96	128			<b>1 056 063</b>	1/100 pair
450	453	79	96	128	32		<b>1 056 068</b>	1/100 pair
500	503	86	96	128	64	32	<b>1 056 073</b>	1/100 pair

## Planning dimensions



## Advice

- ▶ For technical information, see page 45
- ▶ For accessories, see pages 46 - 48

# Drawer runners for wooden drawers

- ▶ Partial extension runner FR 602 with Stop Control
- ▶ Load capacity 30 kg

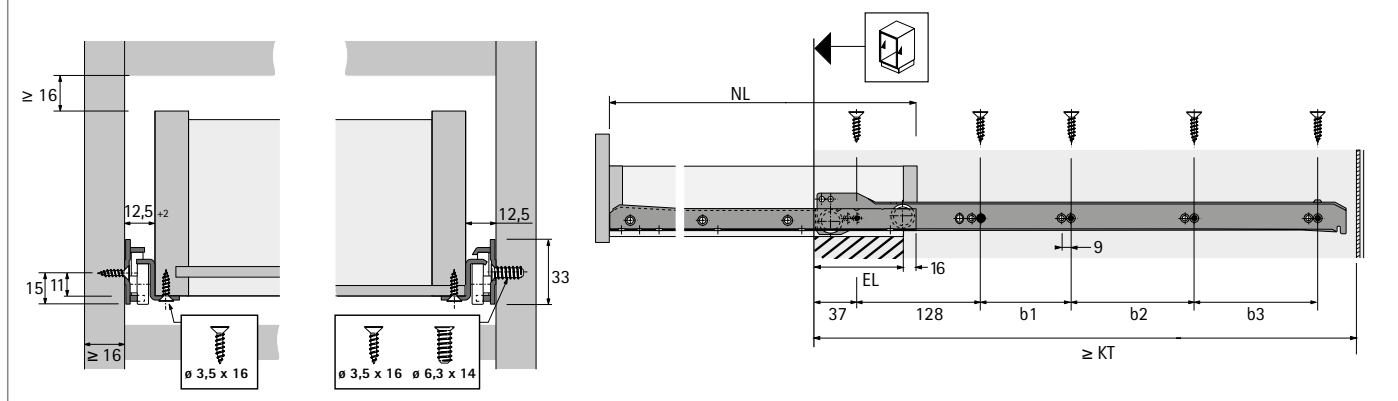


- ▶ **Stop Control** – integrated self closing mechanism for automatic closure
- ▶ With double stop and roll-out prevention
- ▶ With captive guide rail on one side
- ▶ Automatic tolerance compensation + 2 mm
- ▶ Load capacity to EN 15338, Level 2
- ▶ powder coated steel, white

## FR 602 roller runner

Nominal length / drawer length NL mm	Minimum carcase depth KT mm	Extension loss EL mm	Hole spacing b1 mm	Hole spacing b2 mm	Hole spacing b3 mm	Order no.	PU
250	253	74				0 041 657	1/20 pair
300	303	74	96			0 041 659	1/20 pair
350	353	74	96	64		0 041 661	1/20 pair
400	403	74	96	96		0 041 663	1/20 pair
400	403	74	96	96		0 048 727	25 pair
450	453	87	96	128		0 041 665	1/20 pair
450	453	87	96	128		0 048 728	25 pair
500	503	87	96	128	96	0 041 667	1/20 pair
500	503	87	96	128	96	0 048 729	25 pair
550	553	102	96	128	128	0 041 669	1/20 pair
550	553	102	96	128	128	0 048 730	25 pair
600	603	102	96	128	128	0 041 671	1/20 pair

## Planning dimensions



### Advice

- ▶ For technical information, see page 45
- ▶ For accessories, see pages 46 - 48

# Drawer runners for wooden drawers

- ▶ FR 6142 over extension runner with Stop Control
- ▶ Load capacity 50 kg

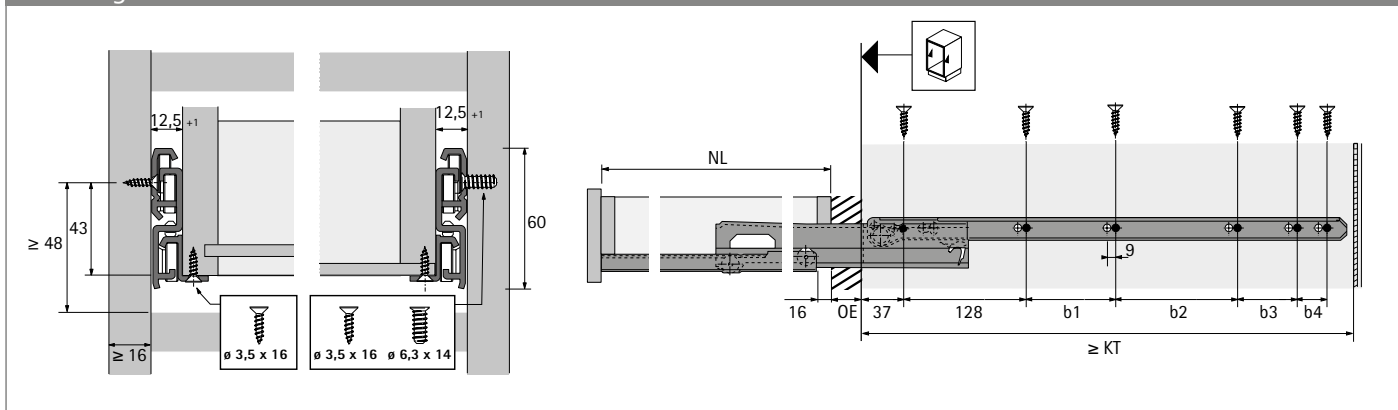


- ▶ **Stop Control** - integrated self closing mechanism for automatic closure
- ▶ With captive guide rails on both side
- ▶ With lift off guard and lockable centre runner
- ▶ Automatic tolerance compensation + 2 mm
- ▶ powder coated steel, white

## FR 6142 roller runner

Nominal length / drawer length NL mm	Minimum carcass depth KT mm	Over extension runner OE mm	Hole spacing b1 mm	Hole spacing b2 mm	Hole spacing b3 mm	Hole spacing b4 mm	Order no.	PU
400	405	30	96	96			<b>0 086 774</b>	1/10 pair
450	455	30	96	128			<b>0 086 776</b>	1/10 pair
500	505	30	96	128	64	32	<b>0 086 778</b>	1/10 pair
550	555	30	96	128	128		<b>0 086 781</b>	1/10 pair
600	605	30	96	128	128		<b>0 086 783</b>	1/10 pair

## Planning dimensions



## Advice

- ▶ For technical information, see page 45
- ▶ For accessories, see pages 46 - 48

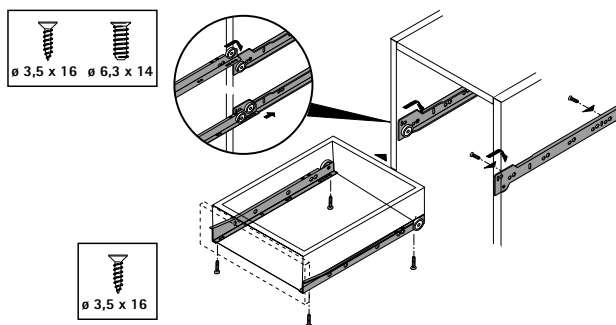


# Drawer runners for wooden drawers

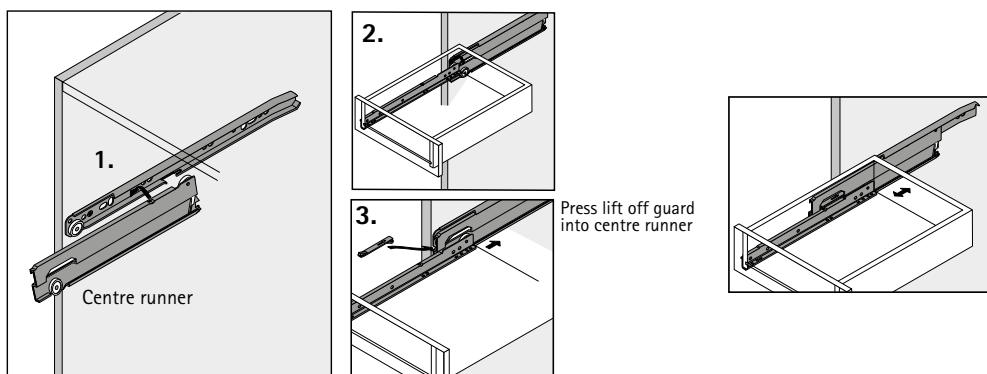


- ▶ FR roller runners
- ▶ Technical Information

## FR 402, 602



## FR 6142



## ► Internal organisation for drawers



- Variable in width
- For nominal lengths of 450 and 500 mm
- White plastic

### OrgaTray 650

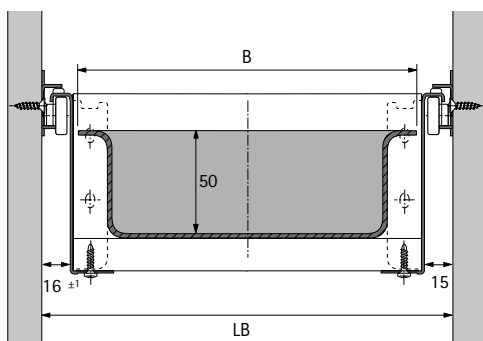
Nominal width mm	Width mm	Order no.	PU
300	200 - 240	<b>0 044 924</b>	10 ea.
350	250 - 290	<b>0 044 923</b>	10 ea.
400	300 - 340	<b>0 044 922</b>	10 ea.
450	350 - 390	<b>0 044 921</b>	10 ea.
500	400 - 440	<b>0 044 919</b>	10 ea.
600	500 - 540	<b>0 044 918</b>	10 ea.

### Partitioning

<b>D</b>						
433 - 483						
<b>W</b>	200 - 240	250 - 290	300 - 340	350 - 390	400 - 440	500 - 540
<b>NB</b>	300	350	400	450	500	600

D = Depth W = Width NB = Nominal width

### Dimensions for cutting to size



- Trimmed width (B) = LB - 31
- Trimmed depth = Nominal length - 17 (for 16 mm rear panel)

# Single-walled drawer system MultiTech / MultiTech LS

## ► Internal organisation for drawers

### Cutlery trays for drawers with timber backs



Cabinet overall size 16 mm side panels mm	Drawer length mm	Cutlery insert depth x width mm	Style	Order no.	PU
400	500	481 x 335	Standard	<b>0 048 751</b>	20 ea.
450	500	481 x 385	Diagonal	<b>0 048 752</b>	20 ea.
600	500	481 x 535	Standard	<b>0 048 754</b>	20 ea.

### Cutlery trays cut to size to suit individual drawer depth / width



Depth x width mm	Can be trimmed to mm	Order no.	PU
434 x 434	315 x 315	<b>0 048 769</b>	25 ea.

### Cutlery trays cut to size to suit individual drawer depth / width



Depth x width mm	Can be trimmed to mm	Order no.	PU
490 x 434	324 x 363	<b>0 048 230</b>	25 ea.

### Cutlery trays cut to size to suit individual drawer depth / width

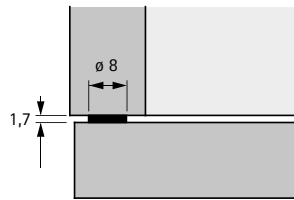


Depth x width mm	Style	Order no.	PU
372 x 372	Standard	<b>0 048 761</b>	20 ea.
400 x 400	Standard	<b>0 048 762</b>	20 ea.
482 x 532	Standard	<b>0 048 763</b>	20 ea.

# Accessories

## ▶ Door damper / spacer profile

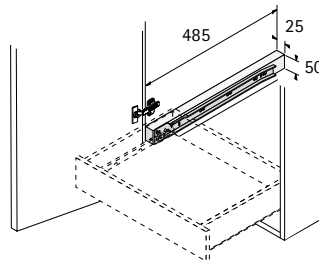
### Door damper for sticking on



- ▶ Self adhesive
- ▶ Plastic, transparent

Order no.	PU
0 046 695	1000 ea.

### Spacer profile



- ▶ Suitable for Quadro drawer runners as well as FR roller runners
- ▶ For bridging the hinge protrusion when using internal pot-and-pan drawers
- ▶ To span greater spaces, several profiles can be clipped on top of one another
- ▶ The spacer profiles can also be used for tolerance compensation
- ▶ White plastic
- ▶ Load capacity 60 kg max.

Width x depth x height mm	Order no.	PU
25 x 484 x 49	0 013 952	1 ea.

# Locking systems

## ► Summary



SafeFix child safeguard

50



Cylinder locks Economy

51



Exanchangeable F18 barrels for Economy cylinder locks

52



Front panel locking set Economy

53

# Children's safety

## ▶ SafeFix child safeguard



- ▶ Child safeguard for added safety in the home
- ▶ Prevents direct access
- ▶ Suitable for use as left-hand, right-hand or drawer lock
- ▶ Plastic, white

**Please note:**

SafeFix contains very powerful magnets. For this reason, please keep credit cards, etc. well away from SafeFix.

### SafeFix child safeguard

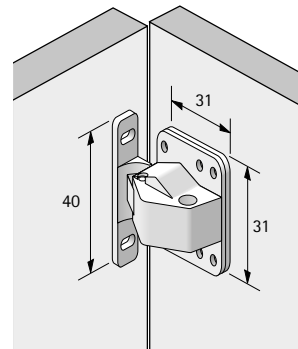
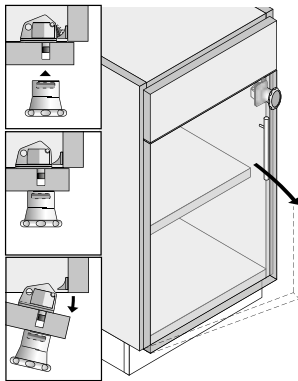


Set comprises:

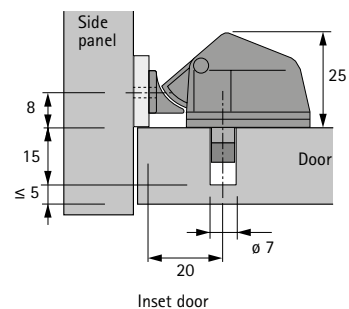
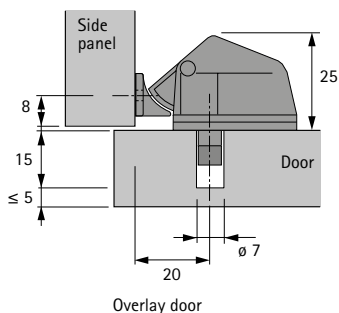
- ▶ 1 magnetic knob
- ▶ 1 stop bracket
- ▶ 1 lock

Description	Order no.	PU
1 stop bracket + 1 lock	<b>0 070 670</b>	1/10 set
1 magnetic knob	<b>0 070 671</b>	1 ea.

### Installation notes

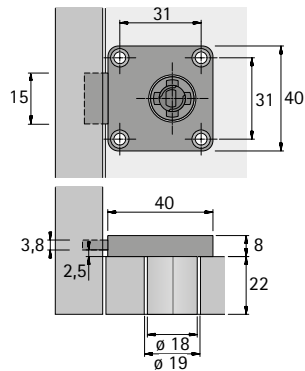


### Planning dimensions



# Cylinder lock Economy

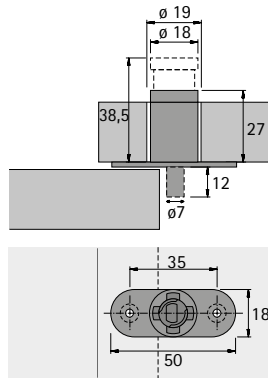
## Cylinder drawer lock Economy



- ▶ For exchangeable F18 barrels
- ▶ Barrels F18 not included, to be ordered separately see page 52
- ▶ Complete with resette
- ▶ Nickel plated

Order no.	PU
<b>0 048 976</b>	25 ea.

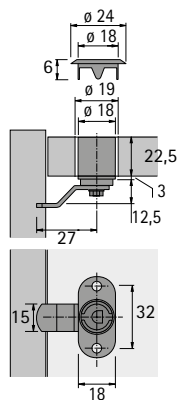
## Cylinder push lock Economy



- ▶ For exchangeable F18 barrels
- ▶ Barrels F18 not included, to be ordered separately see page 52
- ▶ Complete with resette
- ▶ Nickel plated

Order no.	PU
<b>0 048 977</b>	25 ea.

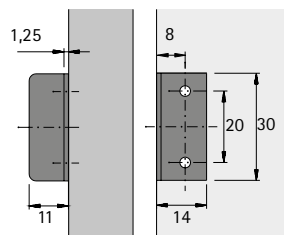
## Cylinder cam lock Economy



- ▶ For exchangeable F18 barrels
- ▶ Barrels F18 not included, to be ordered separately see page 52
- ▶ Complete with resette
- ▶ Nickel plated

Order no.	PU
<b>0 048 978</b>	25 ea.

## Stop bracket, type 3011



- ▶ Steel, nickel plated

Order no.	PU
<b>0 030 125</b>	1/100 ea.

## Exchangeable F18 barrels for Economy cylinder locks



- ▶ Lock System 8000, master key capability, nickel plated
- ▶ With 2 double-profile keys, nickel plated
- ▶ Complete with resette
- ▶ Nickel plated

Article	Order no.	PU
Selected key operations from: 8110 - 8200, keyed to differ	<b>0 048 980</b>	25 ea.

Keyed alike	Order no.	PU
8110	<b>0 048 981</b>	25 ea.
8120	<b>0 048 982</b>	25 ea.
8130	<b>0 048 983</b>	25 ea.
8140	<b>0 048 984</b>	25 ea.
8150	<b>0 048 985</b>	25 ea.
8160	<b>0 048 986</b>	25 ea.
8170	<b>0 048 987</b>	25 ea.
8180	<b>0 048 988</b>	25 ea.
8190	<b>0 048 989</b>	25 ea.
8200	<b>0 048 990</b>	25 ea.

## F18 master key for lock system 8000



- ▶ Nickel plated

Order no.	PU
<b>0 048 992</b>	1 ea.

## Removal key for F18 barrels



- ▶ Nickel plated

Order no.	PU
<b>0 048 994</b>	1 ea.



# Front panel locking set Economy

## Front panel locking set Economy

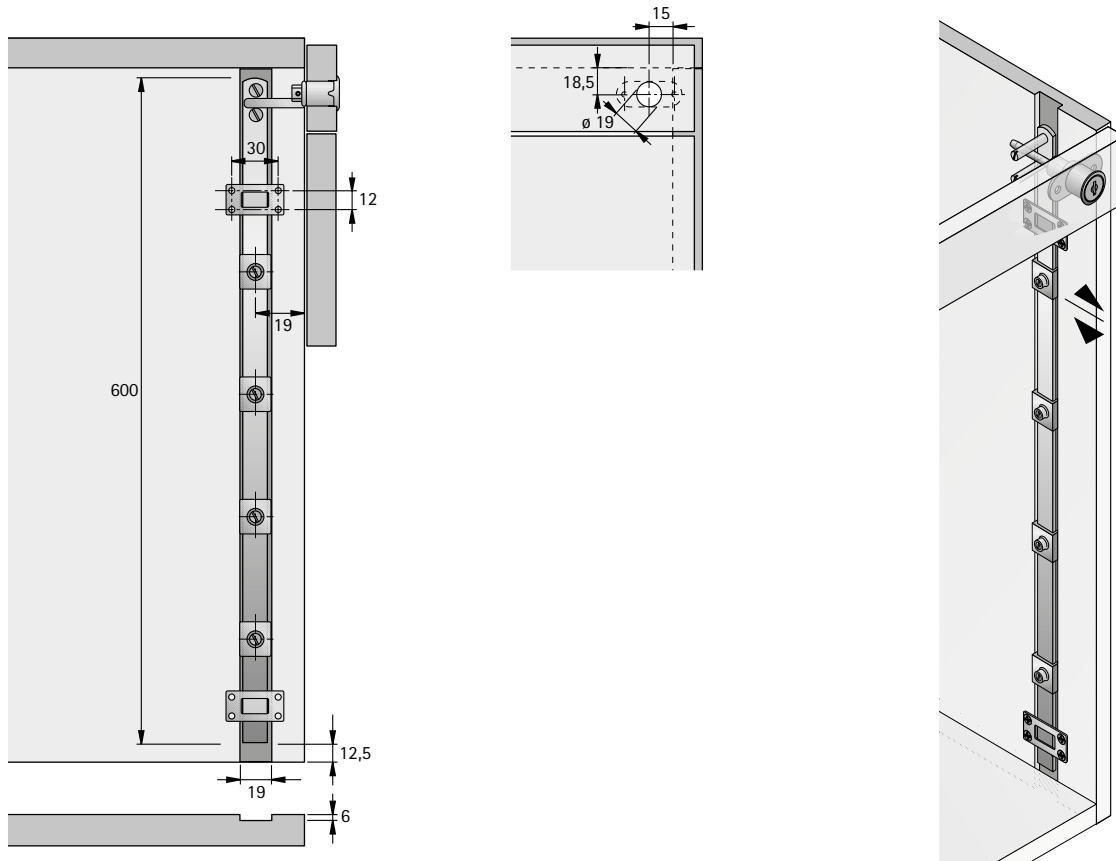


Set contains:

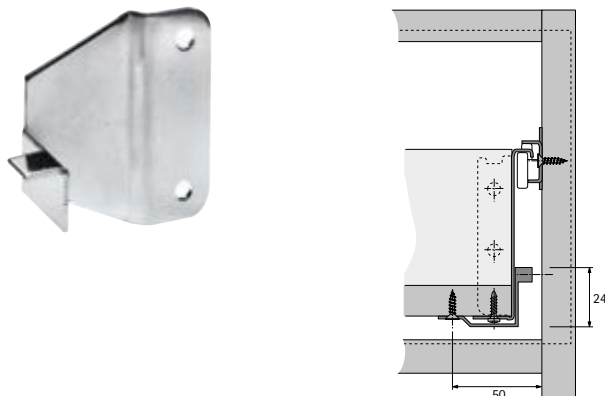
- ▶ 1 cylinder lever lock for exanchangeable F18 barrels
- ▶ 1 rosette
- ▶ 1 locking bar 600 mm
- ▶ 4 adjustable pins with grub-screw
- ▶ 2 bar guides

Order no.	PU
0 040 145	1 set

## Panning dimensions



## Lock activator








Order no.	PU
0 047 262	1 ea.



# Connecting technology

## ► Summary of ranges

<p><b>Connecting fittings for carcasses</b> Summary</p>	<p>56 - 57</p>	
<p><b>Shelf supports / rails and brackets</b></p>	<p>67 - 69</p>	
<p><b>Height adjustable legs</b></p>	<p>70 - 71</p>	
<p><b>Cabinet suspension brackets</b></p>	<p>72 - 73</p>	
<p><b>Screws</b></p>	<p>74 - 75</p>	



**Hettich keeps a firm hold.** What fittings from Hettich join together just doesn't come apart. Hettich also supplies reliable and easy to use solutions for more difficult connections in furniture construction.

Solutions that open up numerous design options using classic or lightweight materials. Convenient on-site assembly. Hettich fittings keep what you promise your customers.



**Small components, big performers:** Hettich connecting technology is brimming with expertise. For perfect results.









**Spherical eccentric cam:** For a better hold in the drill hole. The screwdriver can be held at an angle for greater convenience.



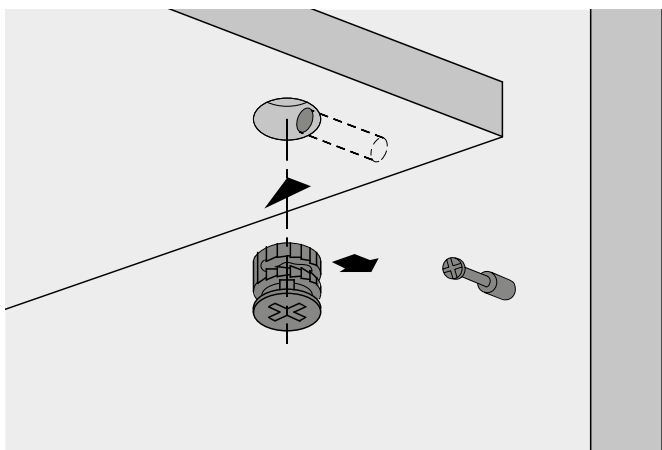
**Providing a firm hold:** Strong connections between shelves and side panels. High load capacity.

# Connecting fittings for carcases

## ► Summary

	<b>Rastex 15 and Rastex 25 eccentric cam connecting fittings</b> Can be used in conjunction with fast installation dowels Twister	<b>58 - 59</b>
	<b>Eccentric cam connecting fitting with spherical eccentric cams VB 35 / VB 35 M</b> Can be used in conjunction with steel dowels	<b>60 62</b>
	<b>Eccentric cam connecting fitting with spherical eccentric cams VB 36 M</b> Can be used in conjunction with steel dowels	<b>61 62</b>
	<b>TZ 28 block connecting fittings</b> For connecting carcases, also suitable for solid wood	<b>63</b>
	<b>Worktop connectors</b>	<b>64</b>
	<b>Connecting angles / connecting screws</b>	<b>65 - 66</b>

- ▶ Rastex 15
- ▶ Rapid S dowel for Rastex 15, Twister dowel for Rastex 15



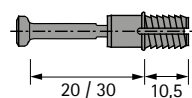
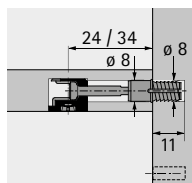
- ▶ With torque support – allows furniture side panels to be pulled into place from space up to 4 mm from the panel end
- ▶ Twice as secure thanks to interior and exterior indentations – the dowel is always pulled in to the centred position, ruling out any displacement of furniture components!
- ▶ Eccentric cam can be tightened with flat-blade screwdriver, Pozidrive screwdriver PZ 3 or Allen key AF 4
- ▶ With or without rim, the rim covers any jagged drillings, making an additional cover cap unnecessary
- ▶ zinc die-cast

## Rastex 15 without rim



Finish	Order no. / panel thickness mm		PU
	15	18	
bright	0 079 462	0 013 962	1/2000 ea.

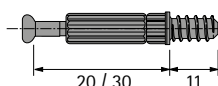
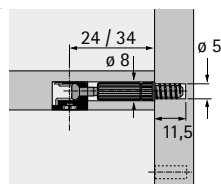
## Rapid S fast installation dowel DU 324 / DU 325



- ▶ Expanding socket for 8 mm drilling diameter
- ▶ Dowel length 20 mm / 30 mm
- ▶ Steel, galvanised / blue plastic

Article version	Dowel length mm	Order no.	PU
Rapid S DU 324	20	9 046 180	2000 ea.
Rapid S DU 325	30	9 046 182	2000 ea.

## Twister screw in dowel DU 243 T / DU 232 T

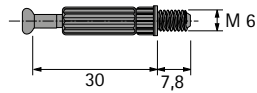
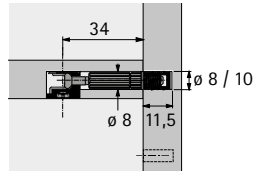


- ▶ With direct fixing thread for drilling diameter of 5 mm
- ▶ Dowel length 20 / 30 mm
- ▶ Steel / green or black plastic
- ▶ Can be used in System 32

Article version	Dowel length mm	Order no.	PU
Twister DU 243 T, galvanised	20	9 047 863	1/2000 ea.
Twister DU 232 T, galvanised	30	9 047 861	1/2000 ea.

- ▶ Rastex 15
- ▶ Twister dowel for Rastex 15

## Twister screw in dowel DU 644 T



- ▶ M6 x 7.8 mm thread
- ▶ Dowel length 30 mm
- ▶ Steel / black plastic

Advice:

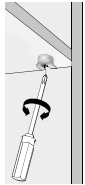
- ▶ Please order M6 sockets separately, see page 66

Article version	Order no.	PU
Twister DU 644 T, galvanised	<b>0 020 157</b>	1/200 ea.

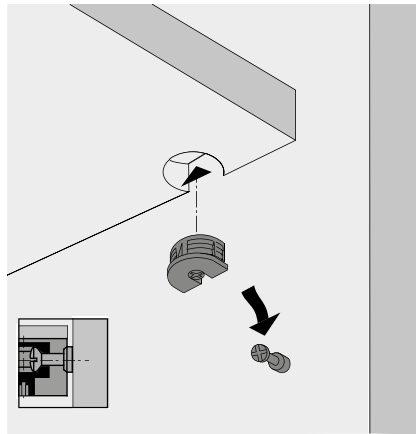
# Eccentric cam connecting fitting

- ▶ VB 35 M
- ▶ With / without rib

Insert shelf from above. Installation aid for hooking in the shelves



$\sphericalangle \sim 5^\circ$

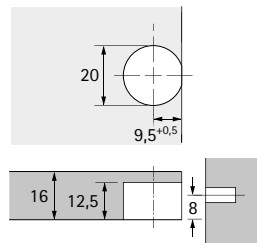


- ▶ Small connecting fittings for sturdy, positive fitting and friction locked connections between shelves and side panels using the tried and proven eccentric cam latching principle
- ▶ The fitting is pressed into the cropped 20 mm diameter drilling
- ▶ The fitting has a spherical eccentric cam
- ▶ Zinc die-cast / plastic
- ▶ Can be used in System 32

## VB 35 M / 16 for 16 mm shelves



Drilling pattern for shelves



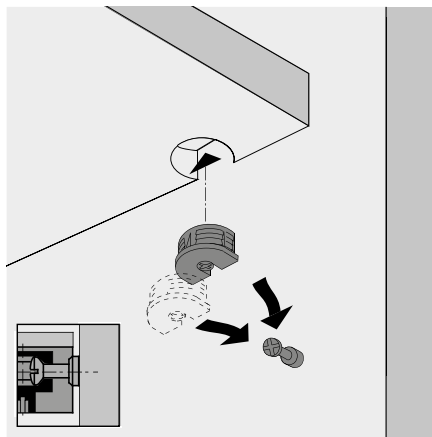
Dowel centre from underside of shelf

Finish / colour	Order no.	PU
nickel plated	0 065 501	1/200 ea.
white	1 019 470	1/1000 ea.

Insert shelf from above or from the front



$\sphericalangle \sim 5^\circ$

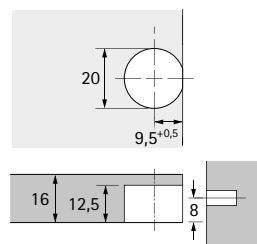


- ▶ Small connecting fittings for sturdy, positive fitting and friction locked connections between shelves and side panels using the tried and proven eccentric cam latching principle
- ▶ The fitting is pressed into the cropped 20 mm diameter drilling
- ▶ The fitting has a spherical eccentric cam
- ▶ Zinc die-cast / plastic
- ▶ Can be used in System 32

## VB 35 / 16 for 16 mm shelves



Drilling pattern for shelves



Dowel centre from underside of shelf

Finish / colour	Order no.	PU
white	0 065 511	1/200 ea.



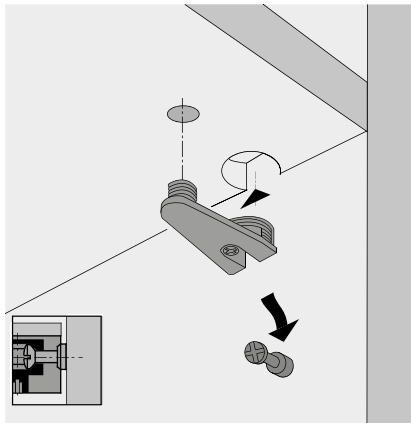
# Eccentric cam connecting fitting

- ▶ VB 36 M
- ▶ With rib

Insert shelf from above. Installation aid for hooking in the shelves



~ 5°

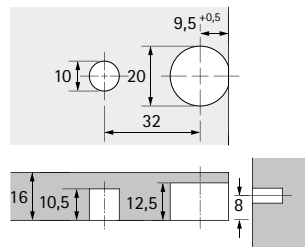


- ▶ Small connecting fittings for sturdy, positive fitting and friction locked connections between shelves and side panels using the tried and proven eccentric cam latching principle
- ▶ The fitting is pressed into a double hole drilled 32 mm apart. Insertion holes in a diameter of 20 and 10 mm
- ▶ The fitting has a spherical eccentric cam
- ▶ Zinc die-cast / plastic
- ▶ Can be used in System 32

## VB 36 M / 16 for 16 mm shelves



### Drilling pattern for shelves



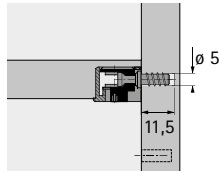
Dowel centre from underside of shelf

Finish / colour	Order no.	PU
nickel plated	0 065 517	1/200 ea.
white	1 019 482	1/1000 ea.

# Screw in dowel

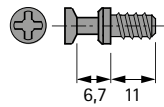
- ▶ VB 35, 35 M, 36 M
- ▶ Dowels for VB 35, 35 M, 36 M

## Screw in dowel DU 321

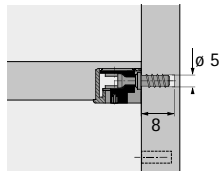


- ▶ With direct fixing thread for drilling diameter of 5 mm
- ▶ Dowel length 6.7 mm
- ▶ Steel, galvanised
- ▶ Can be used in System 32

Order no.	PU
9 021 847	1/5000 ea.

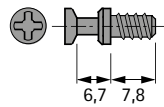


## Screw in dowel DU 322

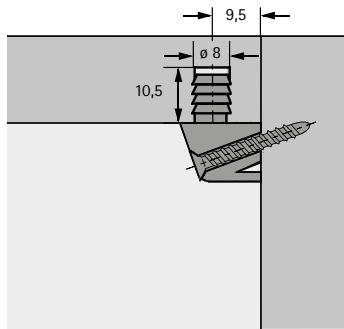


- ▶ With direct fixing thread for drilling diameter of 5 mm
- ▶ Dowel length 6.7 mm
- ▶ Steel, galvanised
- ▶ Can be used in System 32

Order no.	PU
9 022 370	1/5000 ea.



## TZ 28



- ▶ For pressing in
- ▶ Socket length 10 mm
- ▶ Attached by  $\varnothing$  4 mm countersunk screw, with the capability of holding screwdriver at an angle
- ▶ Plastic, white

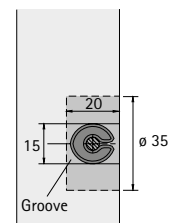
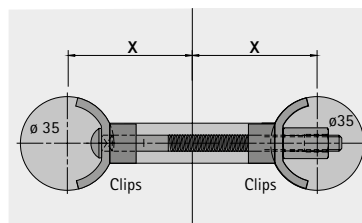
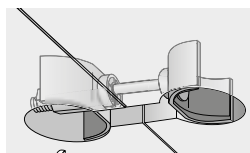
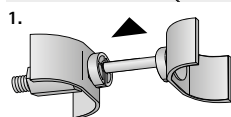
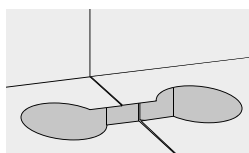
<b>Order no.</b>	PU
<b>0 072 053</b>	1/100 ea.

### AVB 5



- ▶ For sturdy, positive fitting and friction locked worktop connections
- ▶ With two curved clamping plates
- ▶ Two premounted clips ensure easy installation:  
They hold the clamping plates and connectors in position or groove, permitting easy insertion into drilling or routed recess – while leaving both hands free for bracing
- ▶ Housing hole diameter 35 mm
- ▶ Drilling depth at least 20 mm
- ▶ Steel, galvanised

Dimension X mm	Length mm	Order no.	PU
30 - 37	65	0 025 084	1/50 ea.



# Connecting angles

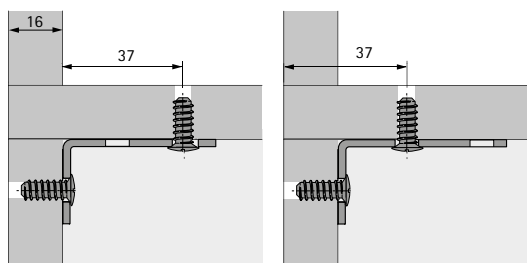
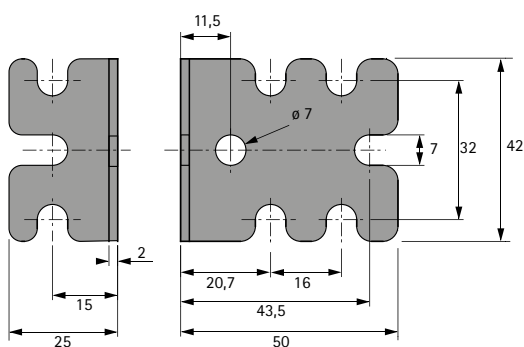
## ► Euro angle, universal angle

### Euro angle for 32 mm hole line

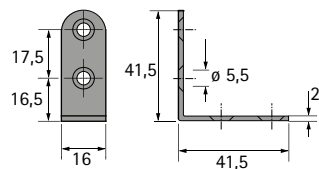


- Can be used as a multi-purpose connecting fitting for carcasses, shelves, rear panels and drawer fronts
- Direct fixing screws,  $\varnothing$  6.3 mm
- Can be used in System 32
- Steel galvanised

<b>Order no.</b>	PU
<b>0 024 832</b>	1/200 ea.



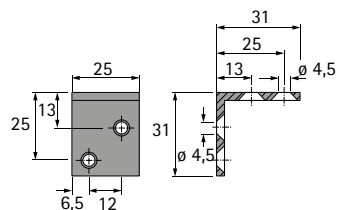
### Universal angle 41.5 x 41.5 mm



- Steel, galvanised

<b>Order no.</b>	PU
<b>0 025 197</b>	1/100 ea.

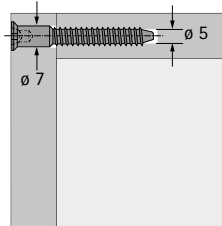
### Universal angle 31 x 31 mm



- Steel, galvanised

<b>Order no.</b>	PU
<b>0 079 665</b>	1/100 ea.

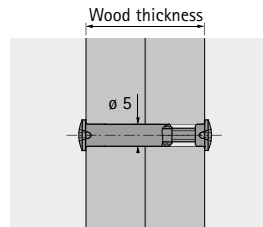
## Direkta 2



- ▶ With drilled head and Pozidrive screw
- ▶ Steel, galvanised

Length mm	Order no.	PU
6.3 x 50	<b>1 005 109</b>	1000 ea.

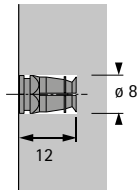
## Connecting screw VHS 32



- ▶ Unobtrusive carcass connectors for a particularly firm hold
- ▶ For drilling diameter of 5 mm
- ▶ The connecting sleeves are 27 or 35 mm long
- ▶ The threaded sleeve is set back, making it easier to screw the connecting screw in
- ▶ Screw M4 x 15 mm / connecting sleeve: nickel plated steel

Article version	Panel thickness mm	Order no.	PU
VHS 32 / 35	28 - 36	<b>1 054 519</b>	1/1000 ea.

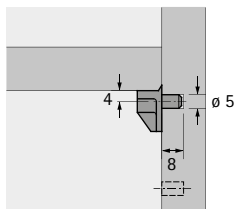
## Expanding socket



- ▶ For M6 thread
- ▶ Drilling diameter 8 mm
- ▶ With nylon ball, length 12 mm
- ▶ Suitable for use with Rastex 15 and VB 35 / 36
- ▶ Brass, bright

Article version	Length mm	Order no.	PU
with nylon ball	12	<b>1 028 024</b>	1/2000 ea.

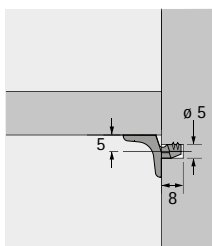
## Safety



- ▶ Steel pin with plastic support surface
- ▶ Can be used in System 32
- ▶ Load group L 50 (50 kg/m<sup>2</sup>)

Drilling diameter mm	Colour	Order no.	PU
5	translucent	<b>0 016 180</b>	1/500 ea.
5	white	<b>0 025 090</b>	1/500 ea.

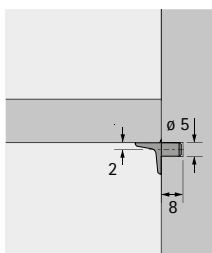
## Sekura 2



- ▶ Pin diameter 5 mm
- ▶ Can be used in System 32
- ▶ Load group L 75 (75 kg/m<sup>2</sup>)
- ▶ Zinc die-cast nickel-plated

Order no.	PU
<b>0 025 100</b>	1/500 ea.

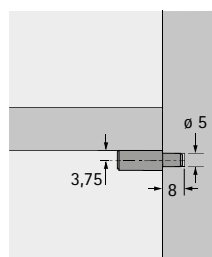
## Universal D



- ▶ Pin diameter 5 mm
- ▶ Can be used in System 32
- ▶ Load group L 75 (75 kg/m<sup>2</sup>)
- ▶ Zinc die-cast nickel-plated

Order no.	PU
<b>0 022 737</b>	1/500 ea.

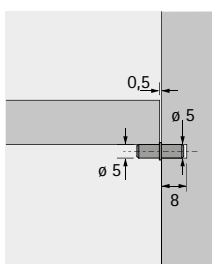
## Push in shelf supports with shoulder



- ▶ Pin diameter 5 mm
- ▶ Can be used in System 32
- ▶ Load group L 50 (50 kg/m<sup>2</sup>)
- ▶ Steel, galvanised

Order no.	PU
<b>0 016 181</b>	1/500 ea.

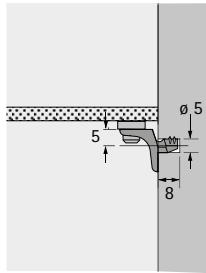
## Duplo



- ▶ Pin diameter 5 mm on both sides
- ▶ Steel nickel plated
- ▶ Can be used in System 32
- ▶ Load group L 50 (50 kg / m<sup>2</sup>)

Order no.	PU
<b>0 046 642</b>	1/500 ea.

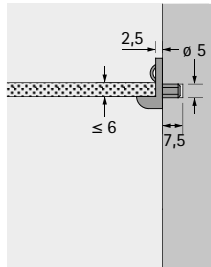
## Sekura 8



- ▶ Glass shelf supports
- ▶ Pin diameter 5 mm
- ▶ Can be used in System 32
- ▶ Load group L 75 (75 kg/m<sup>2</sup>)
- ▶ Zinc die-cast nickel plated / clear plastic

<b>Order no.</b>	PU
<b>0 047 609</b>	1/500 ea.

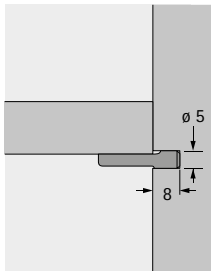
## Glass shelf supports in plastic



- ▶ With tilt prevention
- ▶ Pin diameter 5 mm
- ▶ Can be used in System 32
- ▶ Load group L 25 (25 kg/m<sup>2</sup>)
- ▶ Plastic translucent

<b>Order no.</b>	PU
<b>0 073 615</b>	1/500 ea.

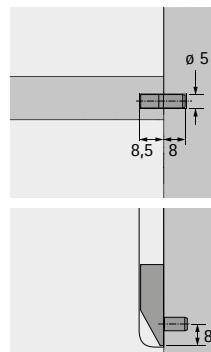
## Flattened shelf supports



- ▶ Drilling diameter 5 mm
- ▶ Can be used in System 32
- ▶ Load group L 25 (25 kg/m<sup>2</sup>)
- ▶ Steel, galvanised

<b>Order no.</b>	PU
<b>0 020 782</b>	1/500 ea.

## Grooved shelf supports

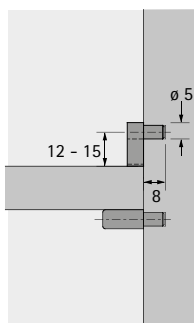


- ▶ For grooved bottom panels
- ▶ Pin diameter 5 mm
- ▶ Can be used in System 32
- ▶ Load group L 25 (25 kg/m<sup>2</sup>)
- ▶ Zinc die-cast, bright

<b>Order no.</b>	PU
<b>0 074 805</b>	1/500 ea.



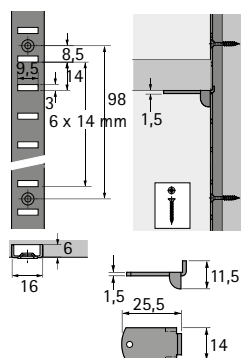
## Shelf studs



- ▶ Pin diameter 5 mm
- ▶ Can be used in System 32
- ▶ Plastic translucent

Order no.	PU
<b>0 063 549</b>	1/500 ea.

## Vari shelf support rail, steel, 16 x 6 mm



- ▶ Standard length: 3500 mm
- ▶ Load group L 50 (50 kg/m<sup>2</sup>)
- ▶ Steel

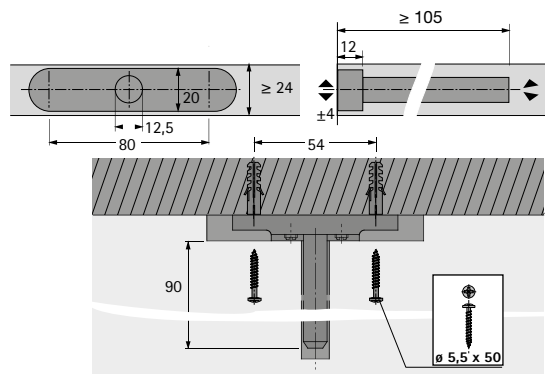
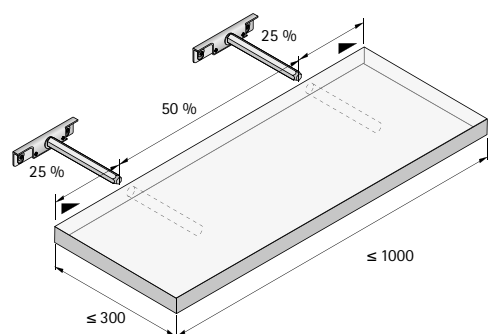
Article version	Finish	Order no.	PU
Shelf support	galvanised	<b>0 013 129</b>	1/250 ea.
Rail	nickel plated	<b>1 018 324</b>	50 ea.

## Titan 2



- ▶ Concealed installation behind the shelf
- ▶ Bolt: 12 mm ø
- ▶ Max. load capacity is 50 kg/m<sup>2</sup> for shelves measuring 1000 x 300 mm, 100 kg/m<sup>2</sup> for shelves measuring 1000 x 250 mm and 160 kg/m<sup>2</sup> for shelves measuring 1000 x 200 mm
- ▶ Height adjustment: ± 4 mm
- ▶ Minimum shelf thickness: 24 mm
- ▶ Adjustment of shelf tilt
- ▶ Steel, galvanised

Order no.	PU
<b>0 063 598</b>	1/20 ea.



# Height adjustable legs

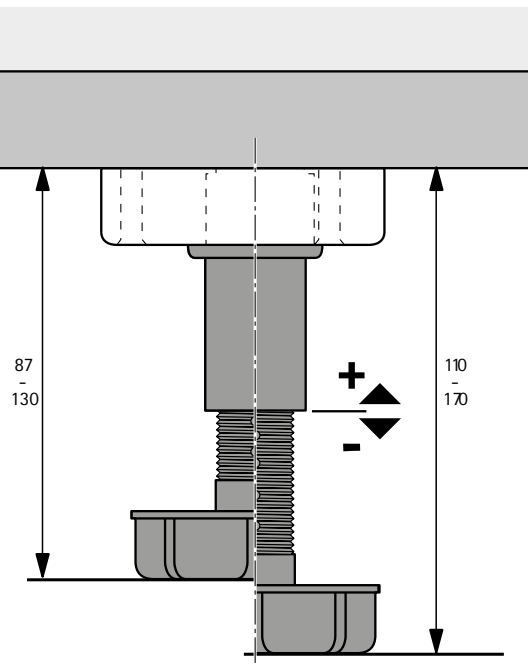
## Height adjustable leg pre-set



- ▶ A perfect combination of block, leg and plinth fixing
- ▶ Strong, robust and reliable construction
- ▶ Adjustable legs are preset at 150 mm
- ▶ Minimum height 110 mm, maximum height 170 mm
- ▶ Vanity / laundry leg preset at 87 mm
- ▶ Maximum height 130 mm
- ▶ Fixing blocks available in 2 / 4 dowel and screw-on
- ▶ Universal clip available with screw-on and knock-in attachment
- ▶ Robust when moving or mounting the cabinet
- ▶ Express leg revolution "one turn" = 8 mm of adjustment
- ▶ Easy height adjustment either manually or by screwdriver
- ▶ Load bearing capacity 650 kg/each
- ▶ Please order fixing blocks, plinth clips and adapter separately, see below and page 71
- ▶ White plastic

Article	Adjustment range mm	Order no.	PU
Pre-set at 150 mm	110 - 170	<b>0 048 100</b>	200 ea.
Pre-set at 87 mm	87 - 130	<b>0 048 140</b>	300 ea.

## Planning dimensions



## Adapter



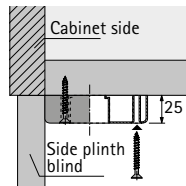
- ▶ Height extension of 50 mm
- ▶ White plastic

Order no.	PU
<b>0 048 150</b>	200 ea.

# Height adjustable legs

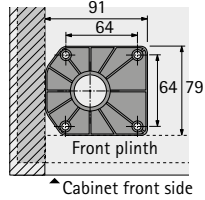
## ► Fixing blocks and plinth clips

### Fixing block, screw-on version

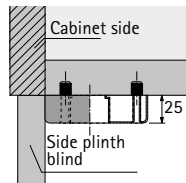


► White plastic

<b>Order no.</b>	PU
<b>0 048 110</b>	200 ea.

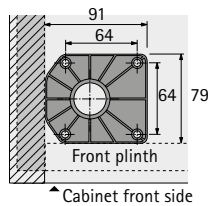


### Fixing block with 4 knock-in sockets

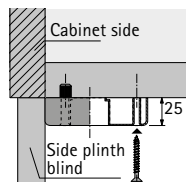


► White plastic

<b>Order no.</b>	PU
<b>1 161 836</b>	200 ea.

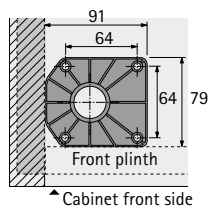


### Fixing block with 2 knock-in sockets

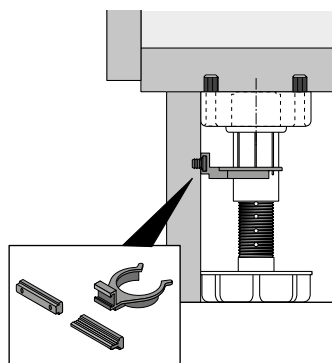


► White plastic

<b>Order no.</b>	PU
<b>0 048 120</b>	200 ea.



### Plinth clip for height adjustable leg



► With screw-on and knock-in attachment  
► Black plastic

<b>Order no.</b>	PU
<b>0 048 130</b>	50 ea.

# Cabinet suspension brackets

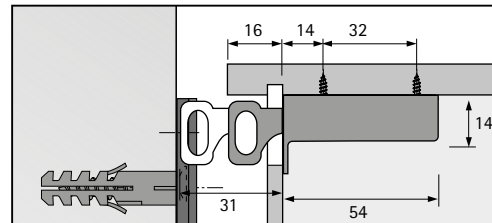
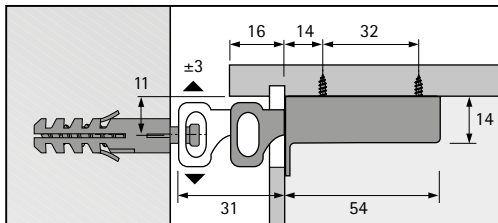
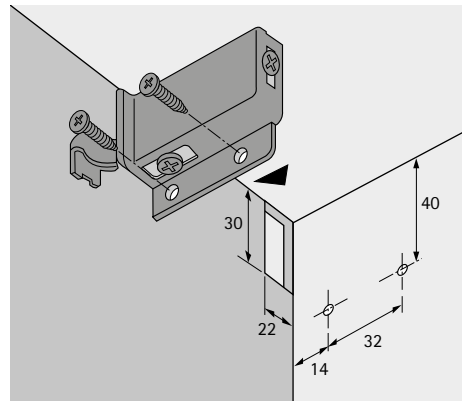
## Cabinet suspension bracket SAH 116 S



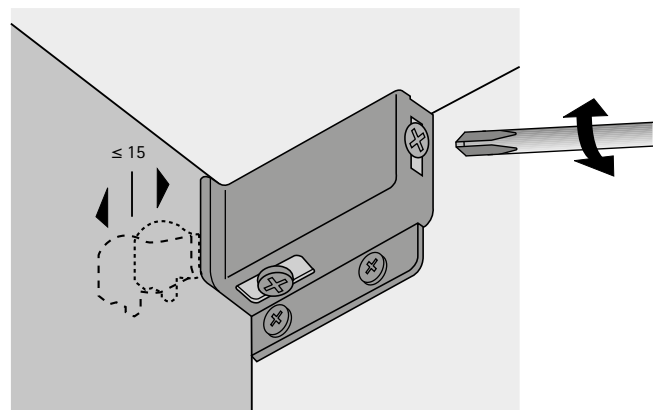
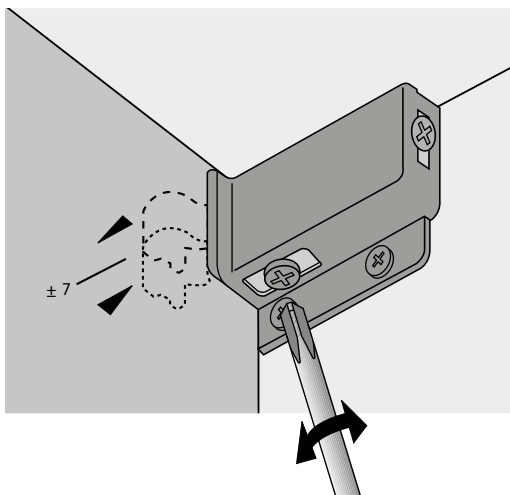
- ▶ Screw-on version
- ▶ Load capacity 65 kg
- ▶ Adjustment possibilities:  
Height: + 7 mm / - 7 mm  
Depth: 15 mm  
Lateral adjustment on suspension rail
- ▶ Rear panel: rear wall set back resp. groove depth min. 16 mm
- ▶ Can be used with suspension rail, see page 73
- ▶ Steel white

Order no.		PU
left	right	
1 019 619	1 019 618	100 ea.

### Mounting



### Adjustment possibilities



# Cabinet suspension brackets

## ► Suspension rail

### Suspension rail type B



- Load-bearing capacity 150 kg/cabinet
- Mounting with 2 special screws dia. 5,5 x 50 mm per cabinet, for total cabinet shelf areas measuring 1 sqm and more, with 4 special screws dia. 5,5 x 50 mm per cabinet
- Length 3000 or 4800 mm with oblong holes, spacing 50,8 mm
- Custom length by request
- Zinc-plated steel

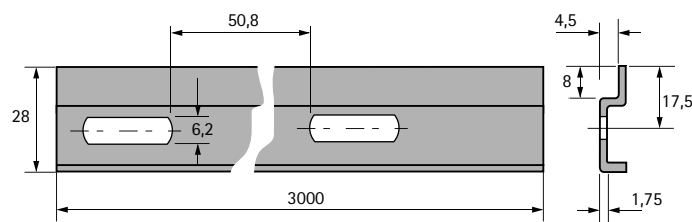
Length mm	Order no.	PU
3000	<b>1 007 403</b>	100 ea.
4800	<b>9 102 252</b>	100 ea.

### Suspension rail cover

- White plastic

Length mm	Order no.	PU
3000	<b>0 046 982</b>	25 ea.
5000	<b>1 161 046</b>	25 ea.

### Planning dimensions



### Information on loading capacity of cabinet suspension brackets and on accessories

The following basic loading principles must be observed when using cabinet suspension brackets and accessories:

- Both the furniture design and the quality of the furniture's material and production are beyond our control.
- The quality and condition of wall materials are also beyond our control.
- The suspension hooks we supply must be used with wall plugs and are intended for attachment to solid brick, solid sand lime brick, concrete or engineering brick. An 8 mm hole must be drilled into the wall, with the plastic wall plug being knocked in to leave it flush with the surface. The hook must be screwed into a depth that leaves at least 10 mm of its length projecting from the wall.
- Commercial type special mounting elements must be used for attachment to other wall materials.
- Dowels and screws must be matched to one another. Ordinary chipboard screws must not be used instead of wall plug screws.
- Mounting suspension rails:
  - with 2 special screws,  $\varnothing$  5,5 x 50 mm, at the level of each cabinet suspension bracket
  - from a carcass width of 900 mm, an additional special screw,  $\varnothing$  5,5 x 50 mm, must be fitted at the centre on the back of each carcass (type A, type B and type H).
- Add on elements, such as end shelves, must not be fitted without separate cabinet suspension bracket.

## Euro screw countersunk $\varnothing$ 6.3 mm



- ▶ Countersunk
- ▶ EN-Pozidrive screw
- ▶ For hole diameter 5 mm
- ▶ Nickel plated

Length mm	Order no.	PU
10.5	1 005 508	1000 ea.
11	0 047 451	200 ea.
14	0 047 452	200 ea.

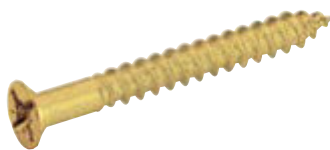
## Euro screw countersunk $\varnothing$ 6.3 mm



- ▶ Oval head
- ▶ EN-Pozidrive screw
- ▶ For hole diameter 5 mm
- ▶ Nickel plated

Length mm	Order no.	PU
11	0 040 006	200 ea.
15	0 040 008	200 ea.

## Profix screw $\varnothing$ 8 G



- ▶ Countersunk with nibs
- ▶ EN-Pozidrive screw
- ▶ Yellow passivated

Length mm	Order no.	PU
28	0 046 942	1000 ea.
32	0 046 943	1000 ea.
40	0 046 944	1000 ea.
50	0 046 945	500 ea.

## Cover cap for profix screw



- ▶ Plastic white

Order no.	PU
0 046 946	1000 ea.

## Chipboard screw



- ▶ Countersunk with nibs
- ▶ EN-Pozidrive screw
- ▶ Yellow passivated

Diameter mm	Length mm	Order no.	PU
6 G	16	1 161 031	1000 ea.
8 G	28	0 046 953	1000 ea.
8 G	32	0 046 954	1000 ea.
8 G	40	0 046 955	1000 ea.
8 G	50	<del>0 046 956</del>	<del>500 ea.</del>
8 G	65	1 161 029	500 ea.
8 G	75	1 161 030	500 ea.

Chipboard screw  
8G Diameter  
50 Length mm  
Code change: 0 046 945  
PU is 1,000 per carton

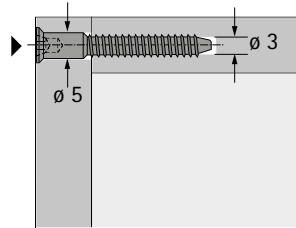
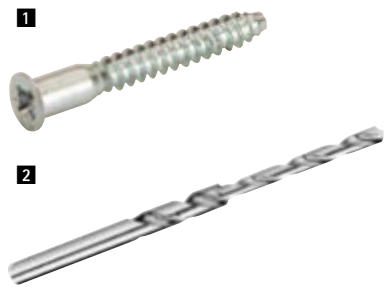
## Chipboard screw $\varnothing$ 4.5 x 16 mm



- ▶ Countersunk
- ▶ EN-Pozidrive screw
- ▶ Nickel plated

Order no.	PU
1 006 580	1000 ea.

## One piece connector Direkta 3



- ▶ With Pozidrive head
- ▶ Diameter 5 x 50 mm
- ▶ Chromated steel

Article	Order no.	PU
<b>1</b> Direkta 3	0 048 692	500 ea.
<b>2</b> Stepped drill 3 mm / 5 mm dia.	0 048 698	1 ea.





Fitting systems for kitchens  
Summary

78 - 79



Fitting systems for wardrobe interiors  
Summary

115





## Neat on the outside, clever inside.

That's the motto of modern kitchens. Intelligent fitting systems from Hettich let you include innovative functions behind attractive front panels. Also make efficient use of narrow cabinets and inaccessible corner to the benefit of

your customers: provide unobstructed, easy access to storage space. High quality materials and attractive design define the look of first class quality.



**Making full use of corner storage space:** with the LeMans II swivel pull-out. Shelves swivel independently of each other and are height adjustable.



**Internal pot-and-pan drawer for wall units:** ideal for narrow and tall elements. For kitchen and bathroom. Variable, can be retro-fitted, smooth running action.

# Fitting systems for kitchens

## ► Summary



**Base unit interior fittings**

**80 - 89**



**Corner unit equipment**

**90 - 99**



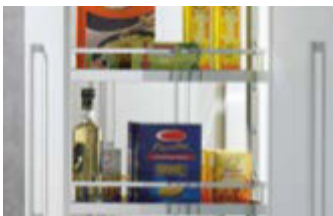
**Sink unit equipment**

**100 - 101**



**Waste collecting systems**

**102 - 103**



**Interior fittings for larder units**

**104 - 112**



**Wall unit interior fittings**

**113**

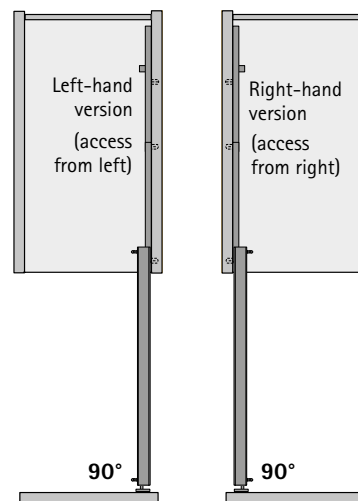
# Base unit interior fittings



- ▶ 90° pot-and-pan drawers
- ▶ With full extension runner and Silent System



- ▶ Base unit pot-and-pan drawers permit a large variety of possibilities for combination
- ▶ Optimal use of the available space with compensating and diagonal base units



## Pull-out frame



- ▶ Frame with full extension ball bearing runner complete with Silent System
- ▶ Attached to the carcass side
- ▶ Suitable shelves / baskets are simply hooked in
- ▶ Inside carcass depth / width depend on the front bracket used
- ▶ Front brackets and shelves / baskets must be ordered separately
- ▶ Right and left-hand version
- ▶ Load capacity 24 kg
- ▶ Powder coated steel brilliant white

Page reference:

- ▶ For front brackets, see below
- ▶ For Arena STYLE shelves, see page 81

Type	Height mm	Minimum inside carcass height mm	Dimension B mm	Order no.	PU
left (hinged right)	661	663	603	<b>9 079 682</b>	1 ea.
right (hinged left)	661	663	603	<b>9 080 172</b>	1 ea.

## Front bracket



- ▶ For robust connection and 3-dimensional adjustment of the front on the pull-out frame
- ▶ Powder coated steel brilliant white

Set comprises:

- ▶ 2 front brackets

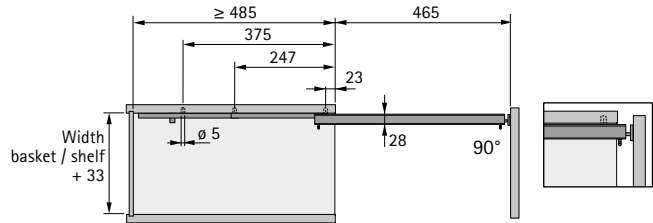
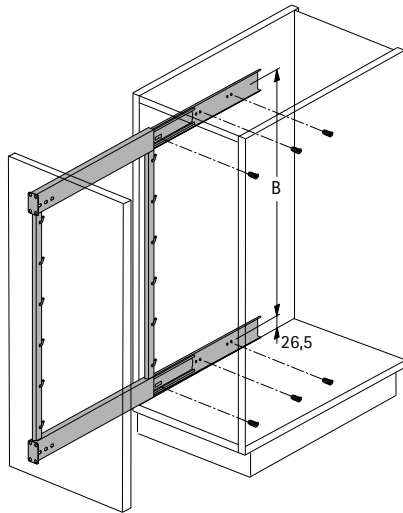
Order no.	PU
<b>9 079 714</b>	1 set

# Base unit interior fittings

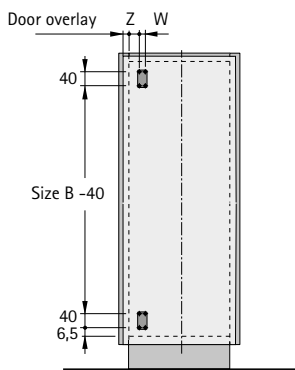


- ▶ 45°, 55° and 90° pot-and-pan drawers
- ▶ With full extension runner and Silent System

## Pull-out frame

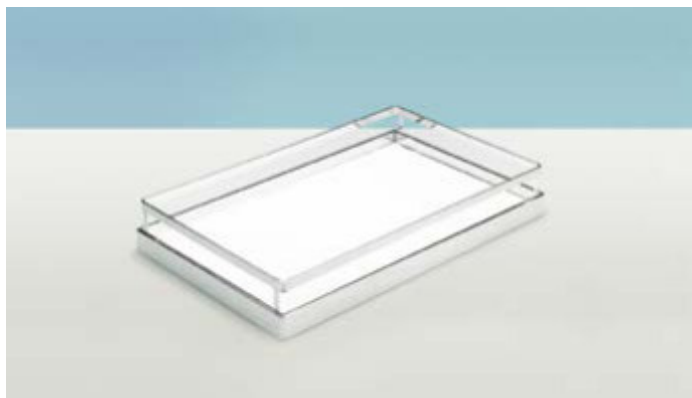


## Planning dimensions



Face angle	Dimension Z mm	Dimension W mm
90°	12.0	15.0

## Arena STYLE non-slip clip on shelves 90°



- ▶ For for hook in assembly in the pull-out frame
- ▶ Wooden shelf, melamine resin coated, white, with non-slip special coating
- ▶ Railing chrome plated steel

Width x depth x height mm	Order no.	PU
110 x 470 x 75	<b>9 080 157</b>	1 ea.
160 x 470 x 75	<b>9 079 755</b>	1 ea.
228 x 470 x 75	<b>9 079 803</b>	1 ea.
320 x 470 x 75	<b>9 079 804</b>	1 ea.

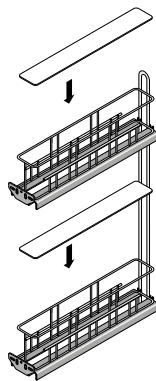
# Base unit interior fittings

- ▶ Cargo IQ plus 150, 90° pot-and-pan drawer, 2-tier
- ▶ For cabinet width 150 mm



- ▶ For cabinet width 150 mm
- ▶ Load capacity 15 kg
- ▶ Minimum inside carcass dimensions:  
Width 112 mm  
Depth 495 mm  
Height 590 mm
- ▶ Please order Quadro V6 full extension runner with Silent System and shelves separately, see below
- ▶ Can be mounted on the right or left or diagonally
- ▶ Pot-and-pan drawer powder coated steel, silver  
Shelf translucent plastic

## Cargo IQ plus 150



Article	Colour	Order no.	PU
Cargo IQ plus 150	Silver	<b>9 077 588</b>	1/10 ea.
Shelf 150	Translucent	<b>9 077 601</b>	1/40 ea.

## Quadro V6 full extension runner with Silent System



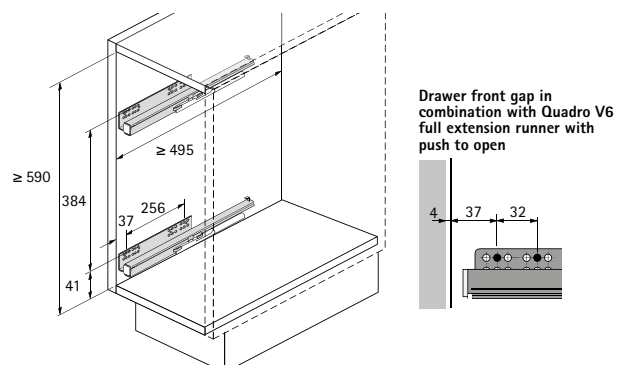
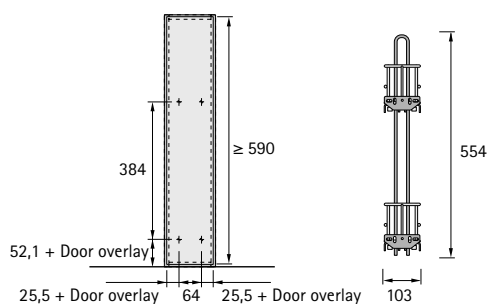
- ▶ Nominal length 470 mm
- ▶ Galvanised steel

Page reference:

- ▶ Can optionally also be used with Quadro V6 full extension runner with Push to open, see InnoTech Atira catalogue

Installed width mm	Carcass side thickness mm	Order no. / Hinge side of cabinet		PU
		left	right	
12.5	16	<b>9 118 054</b>	<b>9 118 055</b>	1/20 ea.

## Planning dimensions



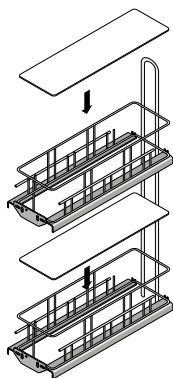
## Base unit interior fittings

- ▶ Cargo IQ plus 200, 90° pot-and-pan drawer, 2-tier
- ▶ For cabinet width 200 mm



- ▶ For cabinet width 200 mm
- ▶ Load capacity 17.5 kg
- ▶ Minimum inside carcass dimensions:  
Width 162 mm  
Depth 495 mm  
Height 590 mm
- ▶ Please order Quadro V6 full extension runner with Silent System and shelves separately, see below
- ▶ Can be mounted on the right or left or diagonally
- ▶ Pot-and-pan drawer powder coated steel, silver  
Shelf translucent plastic

### Cargo IQ plus 200



Article	Colour	Order no.	PU
Cargo IQ plus 200	Silver	<b>9 065 857</b>	1/5 ea.
Shelf 200	Translucent	<b>9 065 861</b>	1/40 ea.

### Quadro V6 full extension runner with Silent System



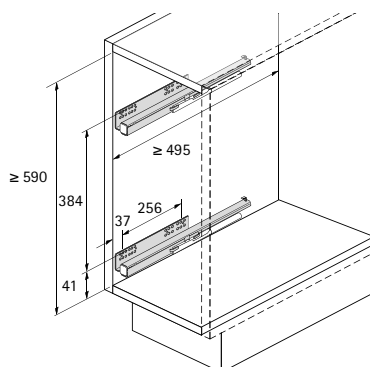
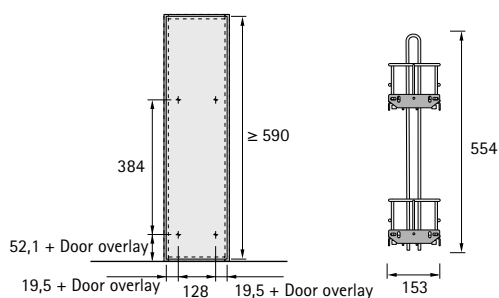
- ▶ Nominal length 470 mm
- ▶ Galvanised steel

Page reference:

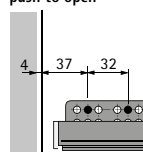
- ▶ Can optionally also be used with Quadro V6 full extension runner with Push to open, see InnoTech Atira catalogue

Installed width mm	Carcass side thickness mm	Order no. / Hinge side of cabinet		PU
		left	right	
12.5	16	<b>9 118 054</b>	<b>9 118 055</b>	1/20 ea.

### Planning dimensions



Drawer front gap in combination with Quadro V6 full extension runner with push to open



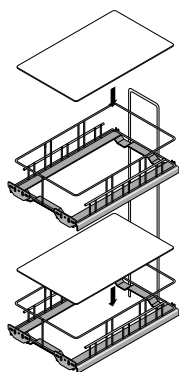
## Base unit interior fittings

- ▶ Cargo IQ plus 300 90° pot-and-pan drawer, 2-tier
- ▶ For cabinet width 300 mm



- ▶ For cabinet width 300 mm
- ▶ Load capacity 20 kg
- ▶ Minimum inside carcass dimensions:  
Width 262 mm  
Depth 495 mm  
Height 590 mm
- ▶ Please order Quadro V6 full extension runner with Silent System and shelves separately, see below
- ▶ Mounting is required on the left and right, mounted diagonally
- ▶ Pot-and-pan drawer powder coated steel, silver  
Shelf translucent plastic

### Cargo IQ plus 300



Article	Colour	Order no.	PU
Cargo IQ plus 300	Silver	<b>9 065 860</b>	1/4 ea.
Shelf 300	Translucent	<b>9 065 862</b>	1/40 ea.

### Quadro V6 full extension runner with Silent System



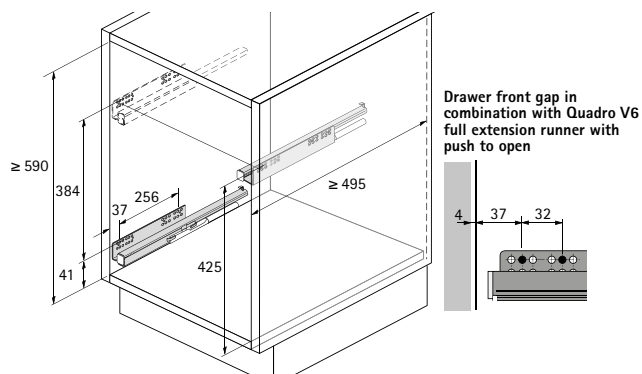
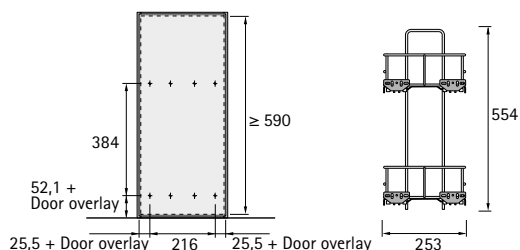
- ▶ Nominal length 470 mm
- ▶ Galvanised steel

Page reference:

- ▶ Can optionally also be used with Quadro V6 full extension runner with Push to open, see InnoTech Atira catalogue

Installed width mm	Carcass side thickness mm	Order no. / Hinge side of cabinet		PU
		left	right	
12.5	16	<b>9 118 054</b>	<b>9 118 055</b>	1/20 ea.

### Planning dimensions





# Interior fittings for base units



- ▶ Front pull-out, 2-tier non slip
- ▶ For cabinet width 150 mm



- ▶ For cabinet width 150 mm
- ▶ Including Quadro full-extension runners with integrated Silent System
- ▶ Loading capacity max. 15 kg
- ▶ Minimum inside carcase dimensions:  
Width 108 mm  
Depth 485 mm  
Height 545 mm
- ▶ Wooden shelf: melamine coated white with non-slip coating  
Railing: chrome-plated steel

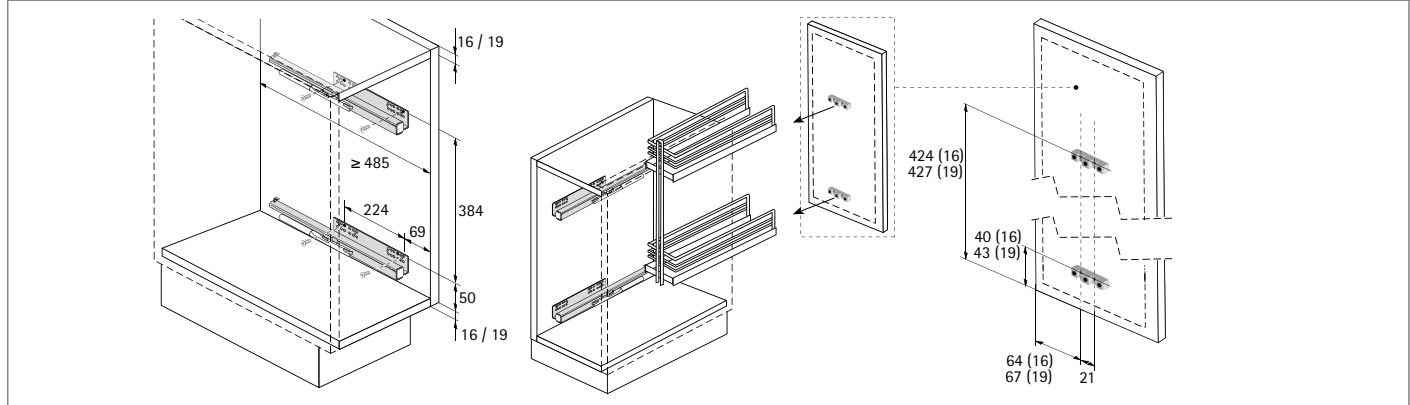
## Front pull-out 90°



- Set comprises:
- ▶ 1 pull-out frame with:  
2 wooden shelves with non-slip coating  
2 front connectors  
2 full-extension runners

Order no.	PU
9 162 129	1 set

## Planning dimensions



# Interior fittings for base units



- ▶ Front pull-out with towel rail
- ▶ For cabinet width 150 mm



- ▶ For cabinet width 150 mm
- ▶ Including Quadro full-extension runners with integrated Silent System
- ▶ Loading capacity 15 kg
- ▶ Minimum inside carcass dimensions:  
Width 108 mm  
Depth 485 mm  
Height 563 mm
- ▶ Wooden shelf: melamine coated white with non-slip coating  
Railing and towel holder: chrome-plated steel

## Pull-out towel holder

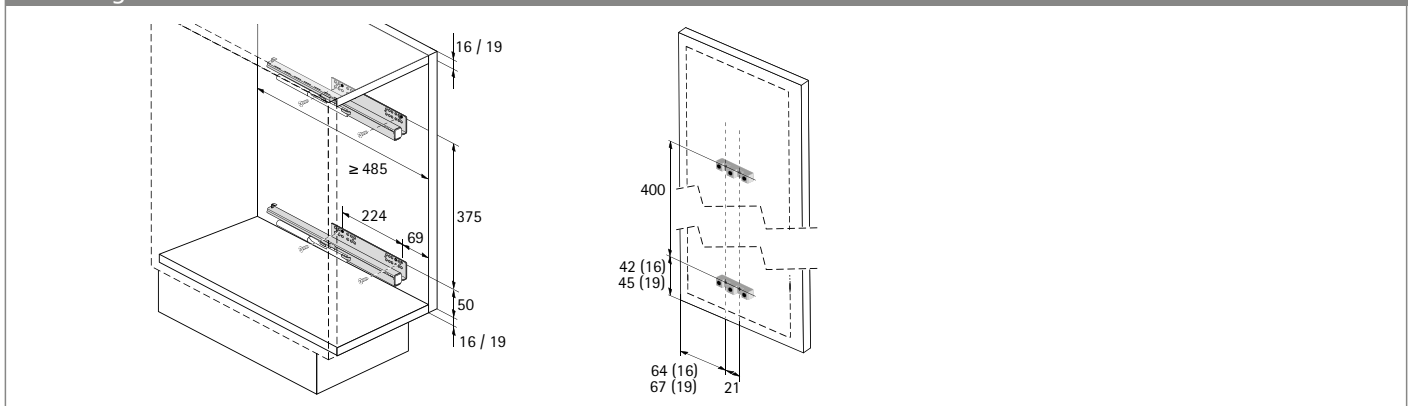


Set comprises:

- ▶ 1 pull-out frame with:  
2 towel holders, 1 wooden shelf with non-slip coating  
2 front connectors  
2 full-extension runners

Order no.	PU
9 162 130	1 set

## Planning dimensions



## Interior fittings for base units

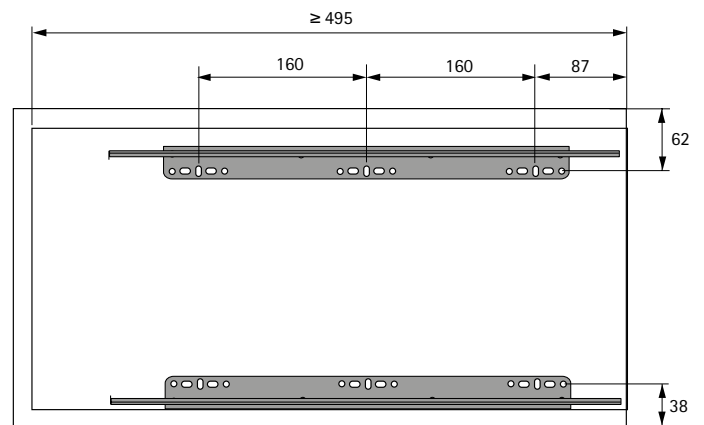
- ▶ Sink unit equipment
- ▶ Cleaning utensil pull-out

### Cleaning utensil pull-out



- ▶ Complete with ball-bearing runners
- ▶ Bottom fixing
- ▶ Load capacity 45 kg
- ▶ Width 216 mm
- ▶ Depth 400 mm
- ▶ Height 470 mm
- ▶ Chrome-plated steel

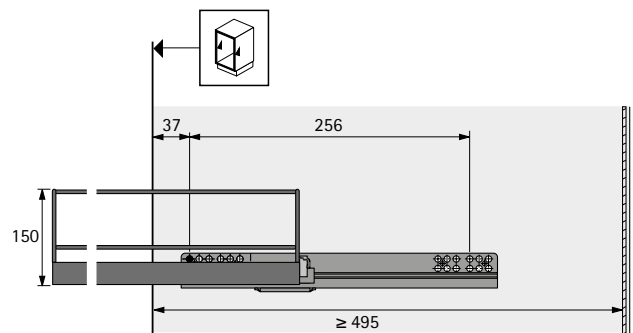
Order no.	PU
9 162 181	1 set



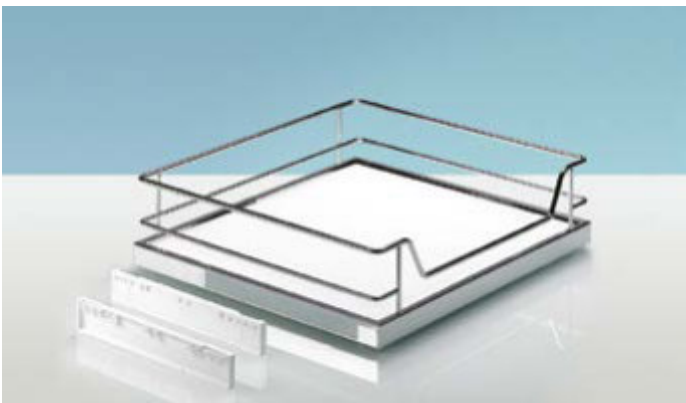
## ▶ Internal pot-and-pan drawer with non-slip coating



- ▶ With cut-away handle
- ▶ Suitable for installing behind hinged doors or pot-and-pan drawers
- ▶ For carcass sides 16 - 19 mm thick
- ▶ Minimum carcass depth inside 495 mm
- ▶ Please order Quadro drawer runners separately
- ▶ Including 2 spacer profiles each 10 mm wide, white plastic
- ▶ Wooden shelf, melamine resin coated white with non-slip coating
- ▶ Railing chrome plated steel



## Internal pot-and-pan drawer with non-slip coating



- Set comprises:
- ▶ 1 internal pot-and-pan drawer
  - ▶ 2 spacer profiles

Page reference:  
▶ For Quadro drawer runners see page 89

For cabinet width mm	Width x depth x height mm	Useful width x depth mm	Order no.	PU
400	333 x 480 x 150	308 x 455	<b>9 132 478</b>	1 set
450	383 x 480 x 150	358 x 455	<b>9 132 479</b>	1 set
500	433 x 480 x 150	408 x 455	<b>9 132 437</b>	1 set
600	533 x 480 x 150	508 x 455	<b>9 132 480</b>	1 set

- ▶ Internal pot-and-pan drawer with non-slip coating
- ▶ Accessories

## Quadro V6 drawer runner with Silent System, load capacity 30 kg



- ▶ Nominal length 470 mm




Page reference:

- ▶ For other possible Quadro runners see InnoTech Atira catalogue
- ▶ E.g. Quadro V6 full extension runner with Push to open

Installed width mm	Carcase side thickness mm	Order no. / Hinge side of cabinet		PU
		left	right	
12.5	16	9 118 054	9 118 055	1/20 ea.

# Corner unit equipment

## ► Range summary / technical comparison

	Moving Corner	LeMans II	Revo 90°
			
Page	91 - 92	93 - 95	96 - 98
Description	Corner unit pull-out for installing with pot-and-pan drawer	Corner unit swivel pull-out for installing behind hinged door	Folding door corner unit carousel fitting for entrained front panels
Features	<ul style="list-style-type: none"> <li>► With ClickFixx fast installation system</li> <li>► Pull-out with integrated Silent System</li> </ul>	<ul style="list-style-type: none"> <li>► With ClickFixx fast installation system</li> <li>► Silent System can be fitted as an optional upgrade</li> </ul>	<ul style="list-style-type: none"> <li>► With ClickFixx fast installation system</li> <li>► With integrated Silent System</li> </ul>
Loading capacity	7 kg per shelf / basket, front 9 kg per shelf / basket, rear	25 kg per shelf	25 kg per shelf / basket
For corner cabinet widths	For corner units with 450 to 600 mm front width	For corner units with 450, 500 or 600 mm front width	For corner dimensions of 800 x 800 mm and 900 x 900 mm
For inside carcass height	525 mm min.	600 - 750 mm, 720 - 900 mm or 1265 mm min.	660 - 860 mm
Fitting / centre column colour	<ul style="list-style-type: none"> <li>► Silver</li> <li>► Brilliant white</li> </ul>	<ul style="list-style-type: none"> <li>► White</li> </ul>	<ul style="list-style-type: none"> <li>► Center column, chrome plated steel</li> <li>► Fitting, powder coated steel, silver</li> </ul>
Clip on baskets / carousel shelves	<ul style="list-style-type: none"> <li>► Arena STYLE, chrome plated</li> <li>► Arena CLASSIC, chrome plated</li> </ul>	<ul style="list-style-type: none"> <li>► Arena STYLE, chrome plated, champagne</li> <li>► Arena CLASSIC, chrome plated, silver</li> </ul>	<ul style="list-style-type: none"> <li>► STYLE chrome plated</li> <li>► CLASSIC, chrome plated, silver</li> </ul>
Clip on baskets / carousel baskets	<ul style="list-style-type: none"> <li>► Steel, chrome plated</li> </ul>	-	<ul style="list-style-type: none"> <li>► Steel, chrome plated</li> <li>► Powder coated steel, silver</li> </ul>
Specifics	<ul style="list-style-type: none"> <li>► The rear shelves / baskets are moved to the cabinet opening on pulling out the pot-and-pan drawer</li> </ul>	<ul style="list-style-type: none"> <li>► Shelves individually swing out all the way, leaving them in front of the carcass</li> </ul>	<ul style="list-style-type: none"> <li>► Closing speed can be adjusted without the need for tools</li> <li>► Shelves infinitely height adjustable</li> </ul>

# Base unit interior fittings

- ▶ Corner unit pull-out system
- ▶ Moving Corner

## Moving Corner



- ▶ Optimum use of space for corner cabinets 900 and 1000 mm wide
- ▶ Integrated Silent System
- ▶ With ClickFixx fast installation system
- ▶ Please order matching clip on shelves and baskets separately
- ▶ Powder coated steel

Set comprises:

- ▶ Complete fitting including Silent System

Page reference:

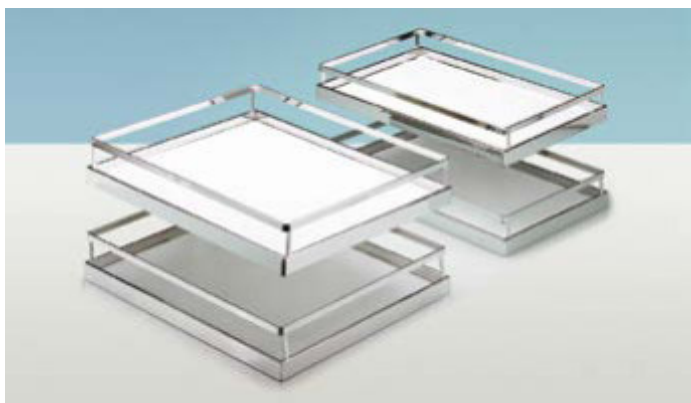
- ▶ For clip on shelves and baskets, see below and page 92

Type	Order no. / Colour		PU
	Brilliant white	Silver	
left	9 080 006	0 073 504	1 set
right	9 080 007	0 073 505	1 set

## Operating principle (illustration shows a left-hand version):



## Arena STYLE non-slip clip on shelves



- ▶ Wooden shelf, melamine resin coated, white, with non-slip special coating
- ▶ Load capacity 7 kg per front shelf, 9 kg per rear shelf
- ▶ Railing chrome plated steel

Set comprises:

- ▶ 4 Arena STYLE clip on shelves

Order no.	PU
9 080 011	1 set

- ▶ Corner unit pull-out system
- ▶ Moving Corner

## Arena CLASSIC non-slip clip on shelves



- ▶ Wooden shelf, melamine resin coated, white, with non-slip special coating
- ▶ Load capacity 7 kg per front shelf, 9 kg per rear shelf
- ▶ Railing chrome plated steel

Set comprises:  
▶ 4 Arena CLASSIC clip on shelves

Order no.	PU
0 013 890	1 set

## Clip on baskets

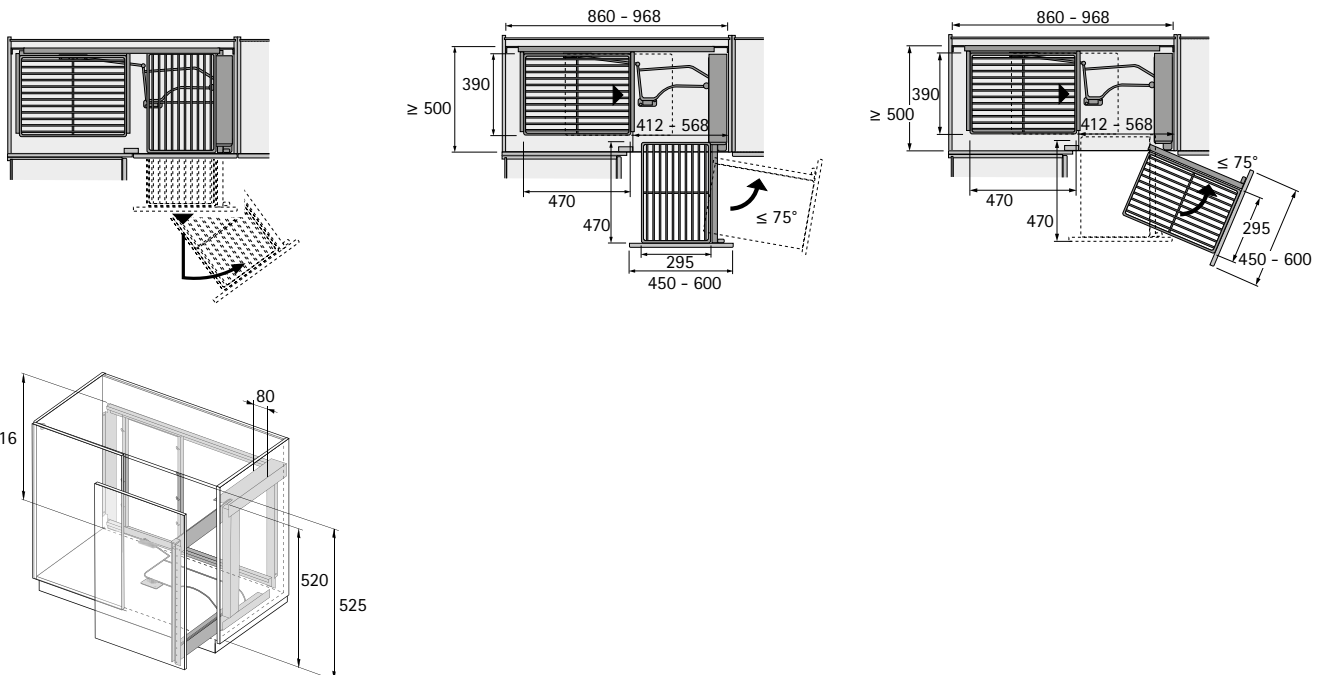


- ▶ Load capacity 7 kg per front basket, 9 kg per rear basket
- ▶ Steel, chrome plated

Set comprises:  
▶ 4 clip on baskets

Order no.	PU
0 073 506	1 set

## Installation\*



\* Illustration is showing a right-hand version



- ▶ Corner unit swivel pull-out
- ▶ LeMans II

## Shelf sets



- ▶ For complete and unrestricted access to the corner cabinet
- ▶ The shelves can be swivelled out individually and completely
- ▶ Minimum carcass depth inside 500 mm
- ▶ Load capacity 25 kg / bottom panel
- ▶ With ClickFixx fast installation system
- ▶ Pivot arm and optional Silent System must be ordered separately
- ▶ Arena shelves, melamine resin coated wooden shelves white with non-slip special coating
- ▶ Railing, steel, chrome plated
- ▶ **Note:** Two shelf sets are needed for the LeMans II highboard.

Set comprises:

- ▶ 2 Arena STYLE/CLASSIC non-slip shelves
- ▶ 2 swivel mechanisms
- ▶ 1 drilling template

Page reference:

- ▶ For pivot arm and optional Silent System, see page 94

Front panel width mm	Type	Order no. / Article		PU
		STYLE railing Chrome plated	CLASSIC railing Chrome plated	
450	left	9 136 151	9 136 157	1 set
450	right	9 136 152	9 136 158	1 set
500	left	9 136 153	9 136 159	1 set
500	right	9 136 154	9 136 160	1 set
600	left	9 136 155	9 136 171	1 set
600	right	9 136 156	9 136 172	1 set

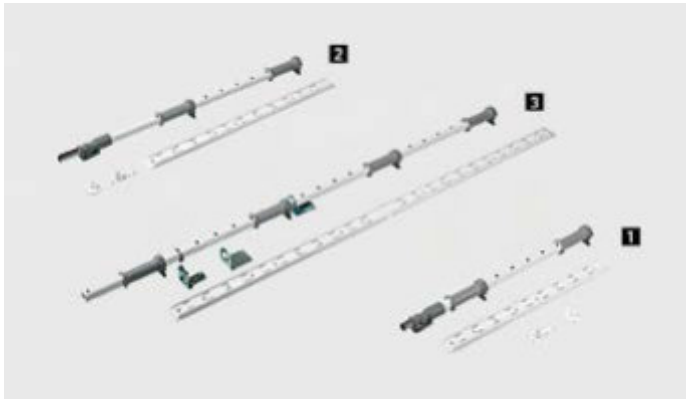
## Sequence of movements (illustration shows a right-hand version):





- ▶ Corner unit swivel pull-out
- ▶ LeMans II

## Pivot arms for LeMans II



- ▶ Pivot arm for LeMans II corner unit swivel pull-out
- ▶ Powder coated steel white

- Set comprises:
- ▶ 1 center column
  - ▶ 1 assembly rail (2 for pivot arm 1265 mm)
  - ▶ Accessories

Inside carcase height mm	Number of pull-out shelf sets	Order no.	PU
<b>1</b> 600 - 750	1 pull-out shelf set (2 pull-out shelves)	<b>9 132 546</b>	1 set
<b>2</b> 720 - 900	1 pull-out shelf set (2 pull-out shelves)	<b>9 132 547</b>	1 set
<b>3</b> min. 1265	2 pull-out shelf sets (4 pull-out shelves)	<b>9 132 548</b>	1 set

## Silent System for LeMans II



- ▶ Optional Silent System for LeMans II shelves
- ▶ Simply clips onto the swivel arm
- ▶ One soft closing element is needed per shelf
- ▶ Plastic, white

- Set comprises:
- ▶ 2 soft closing elements for a LeMans II shelf set, left and right

Type	Order no.	PU
left	<b>9 132 399</b>	1 set
right	<b>9 132 400</b>	1 set

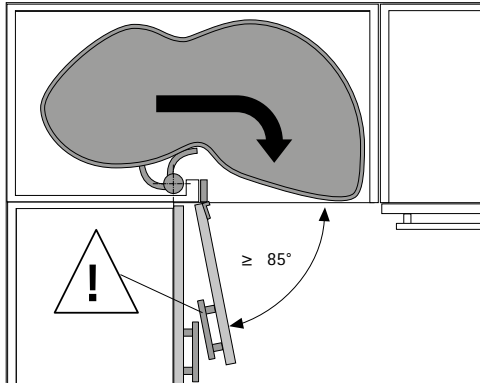
## LeMans II - set codes including one pivot arm (600 - 750 mm) and two shelves STYLE or CLASSIC

- Set comprises:
- ▶ 2 shelves
  - ▶ 1 pivot arm 600 - 750 mm

Front panel width mm	Inside carcase height mm	Type	Version	Order no.	PU
450	600 - 750	left	STYLE	<b>9 154 066</b>	1 set
450	600 - 750	right	STYLE	<b>9 154 067</b>	1 set
500	600 - 750	left	STYLE	<b>9 154 088</b>	1 set
500	600 - 750	right	STYLE	<b>9 154 090</b>	1 set
600	600 - 750	left	STYLE	<b>9 154 091</b>	1 set
600	600 - 750	right	STYLE	<b>9 154 092</b>	1 set
450	600 - 750	left	CLASSIC	<b>9 154 093</b>	1 set
450	600 - 750	right	CLASSIC	<b>9 154 094</b>	1 set
500	600 - 750	left	CLASSIC	<b>9 154 095</b>	1 set
500	600 - 750	right	CLASSIC	<b>9 154 096</b>	1 set
600	600 - 750	left	CLASSIC	<b>9 154 097</b>	1 set
600	600 - 750	right	CLASSIC	<b>9 154 098</b>	1 set

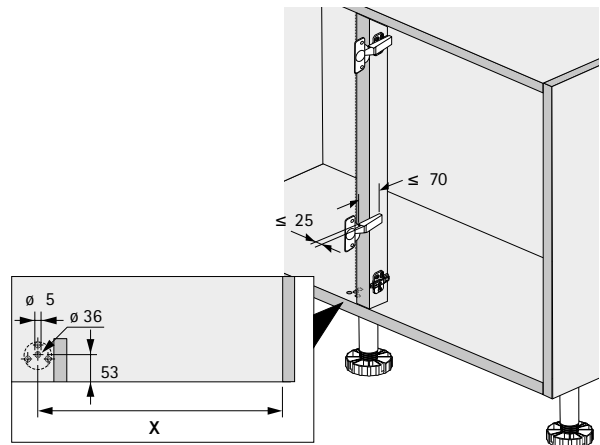
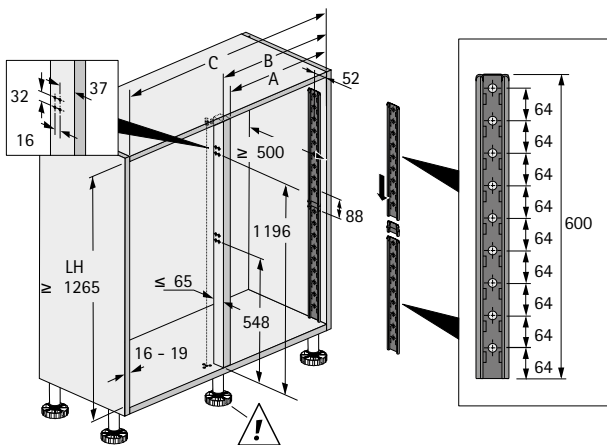
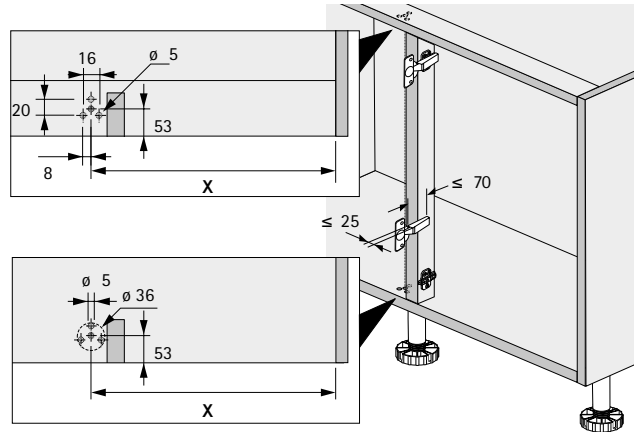
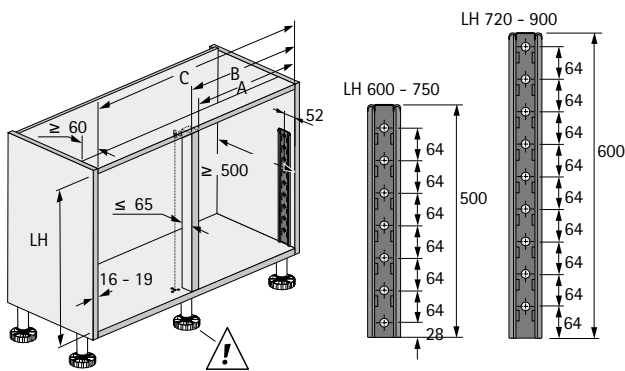
- ▶ Corner unit swivel pull-out
- ▶ LeMans II

## Installation\*



Door mm	Dim. X mm	Dim. A mm	Dim. B mm	Dim. C mm
450	476	411 - 418	450	≥ 800
500	526	461 - 468	500	≥ 910
600	626	561 - 568	600	≥ 960

\* Illustration is showing a right-hand version



- ▶ Folding door corner unit carousel fitting
- ▶ Revo 90°

## Revo 90° corner unit carousel fitting



- ▶ Basic fitting for carcass dimensions 800 x 800 and 900 x 900 mm
- ▶ The Revo 90° mechanism lets the front panel of the cabinet disappear in the carcass when the unit is opened, thus ensuring unhindered access to the storage space
- ▶ With integrated Silent System, the closing speed can be adjusted without the need for tools
- ▶ For inside heights of 660 - 860 mm
- ▶ The mounting cross makes an additional top panel unnecessary
- ▶ With ClickFixx fast installation system
- ▶ Load capacity 25 kg / bottom panel
- ▶ Carousel fittings infinitely height adjustable
- ▶ The basic fitting is designed to accommodate two bottom panels
- ▶ Powder coated steel, silver

### Set comprises:

- ▶ 1 mounting frame including spacers
- ▶ 1 telescopic center column with folding door mechanism and drawer front connectors
- ▶ 1 carousel shelf support for the second shelf



Order no.	PU
9 080 040	1 set

## Details



## Base unit interior fittings

- ▶ Folding door corner unit carousel fitting
- ▶ Revo 90°



### Arena STYLE non-slip shelf for Revo 90°



- ▶ 810 mm ø (for 900 x 900 carcass)
- ▶ Wooden shelf, melamine resin coated, white, with non-slip special coating
- ▶ Railing chrome plated steel

<b>Order no.</b>	PU
<b>9 080 043</b>	1/2 ea.

### Arena CLASSIC non-slip shelf for Revo 90°

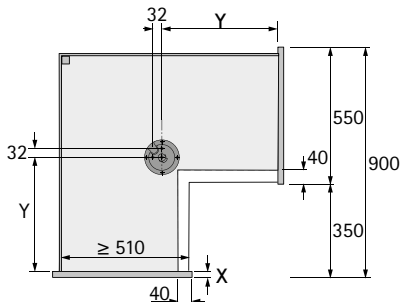


- ▶ 810 mm ø (for 900 x 900 carcass)
- ▶ Wooden shelf, melamine resin coated, white, with non-slip special coating
- ▶ Railing chrome plated steel

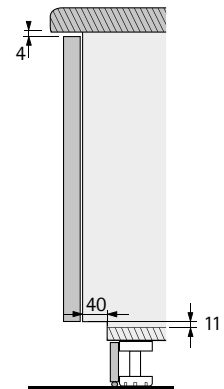
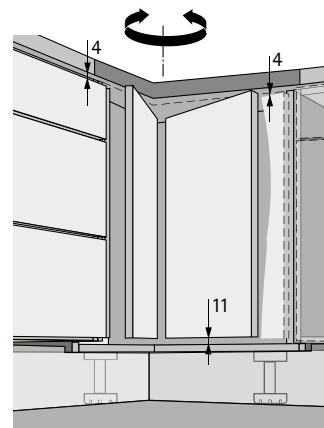
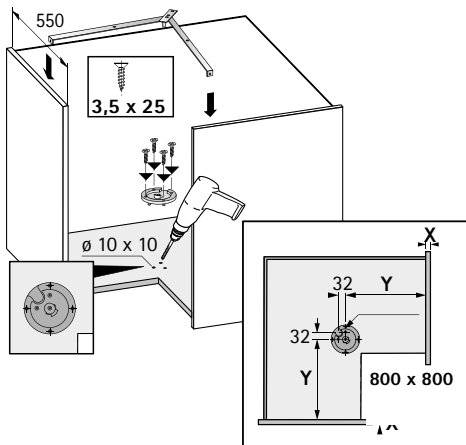
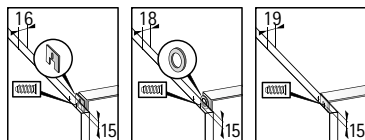
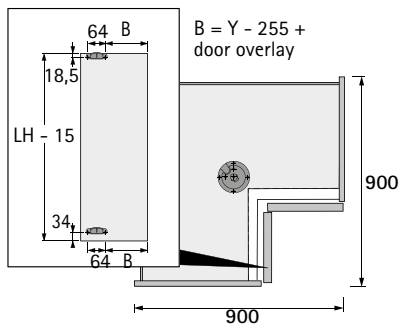
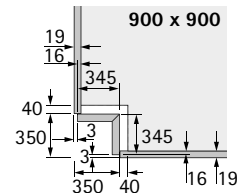
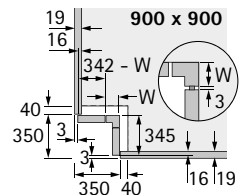
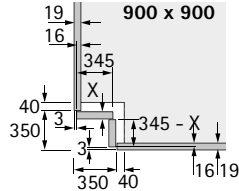
<b>Order no.</b>	PU
<b>0 048 679</b>	1/2 ea.

- ▶ Folding door corner unit carousel fitting
- ▶ Revo 90°

## Installation



X mm	Y mm
19	421,5
18	422,5
16	424,5



# Interior fittings for base units



- ▶ Corner unit carousel fittings
- ▶ With three-quarter circle revolving shelves



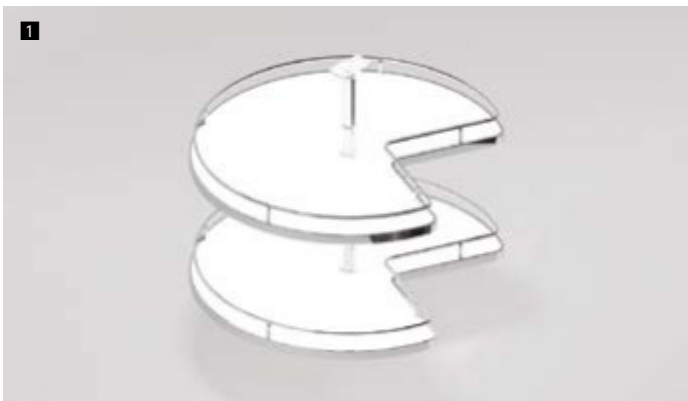
- ▶ For corner base units, carcass dimensions 800 x 800 or 900 x 900 mm
- ▶ Variable installation height: the centre column can be adjusted by 630 - 730 mm
- ▶ Quick and simple adjustment of the carousel shelf height thanks to adjustable bearings
- ▶ Load capacity 20 kg / shelf
- ▶ White wooden shelves with non-slip coating with railing chrome-plated steel

Set comprises:

- ▶ 2 three-quarter circle revolving shelves
- ▶ 1 height-adjustable revolving column
- ▶ 1 set of fittings

Article	Order no. / carcass dimensions mm		PU
	800 x 800	900 x 900	
1 Wooden shelf, non-slip, chrome-plated rail	9 162 190	9 162 201	1 set
2 Chrome-plated steel	9 162 202	9 162 203	1 set

## Three-quarter circle revolving shelves



## Installation

ø mm	Dim. A mm	Dim. B mm
710	min. 760	min. 460
810	min. 860	min. 510

- ▶ Sink unit equipment
- ▶ Portero cleaning utensil pull-out

## Portero 2 cleaning utensil pull-out



Set comprises:

- ▶ 1 system carrier
- ▶ 1 clip on basket with handle and plastic tray
- ▶ 1 clip on basket with plastic tray, 8 divider bars

Width x depth x height mm	Dimension A mm	Dimension B mm	Order no.	PU
276 x 468 x 395	395	285	<b>0 049 086</b>	1 set

## Portero 3 cleaning utensil pull-out

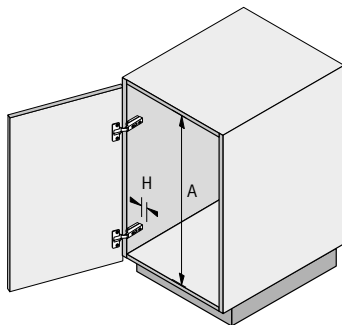


Set comprises:

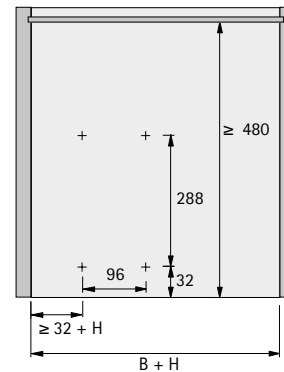
- ▶ 1 system carrier
- ▶ 1 clip on basket with handle and plastic tray
- ▶ 1 clip on basket with plastic tray, 8 divider bars
- ▶ 1 swivel basket with plastic shelf

Width x depth x height mm	Dimension A mm	Dimension B mm	Order no.	PU
276 x 468 x 510	507	285	<b>0 049 087</b>	1 set

## Planning dimensions



H = Hinge protrusion





## Base unit interior fittings



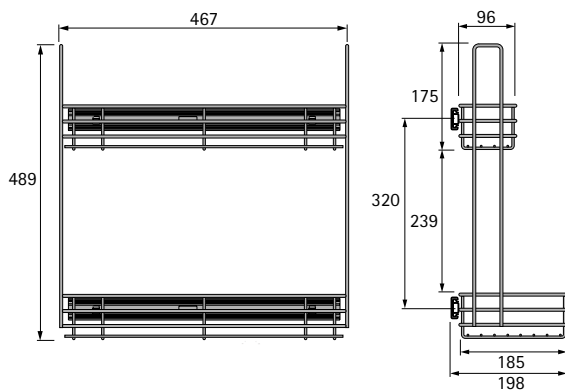
- ▶ Sink unit equipment
- ▶ Cleaning Agent pull-out, towel rail

### Cleaning utensil pull-out



- ▶ Complete with full extension ball bearing runner
- ▶ Suitable for use on left or right
- ▶ Steel, chrome plated

Order no.	PU
<b>0 073 549</b>	1 set



### Telescopic and pivotable towel rails



- ▶ Can be pivoted infinitely
- ▶ Mounted on the right / left of the carcass and on the top panel
- ▶ Overall length 495 mm, pull-out length 395 mm
- ▶ Steel, chrome plated

Number of bars	Width mm	Order no.	PU
3	145	<b>0 049 235</b>	1 ea.

### Side mounted towel rail



- ▶ With 2 sliding bars
- ▶ Width 93 mm
- ▶ Length 445 mm
- ▶ Matt aluminium

Order no.	PU
<b>0-048-789</b>	1 ea.

Phased-out as of January 2019

- ▶ Waste collecting systems behind hinged doors
- ▶ Bin.it Classic

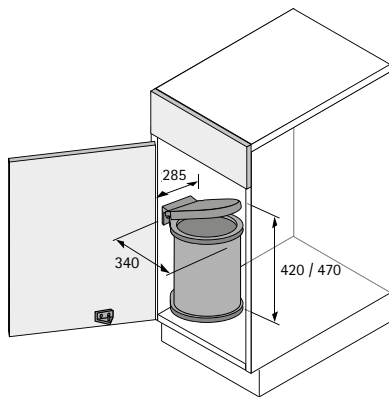
## Bin.it Classic



- ▶ For minimum cabinet width 400 mm
- ▶ Capacity 11 / 13 litres
- ▶ Can be installed on the left or right
- ▶ Insert, plastic

Set comprises:

- ▶ 1 round bin with lid
- ▶ 1 swivel mechanism



Article	Width x depth x height mm	Order no.	PU
<b>1</b> Silver lacquered / black plastic 11 litre bin	340 x 285 x 420*	<b>0 048 936</b>	1 set
<b>2</b> White lacquered / white plastic 13 litre bin	340 x 285 x 470*	<b>0 048 935</b>	1 set

\* lid in open position

- ▶ Built-in waste bins
- ▶ Bin.it Duo II 400


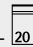

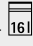
## Bin.it Duo II - 400

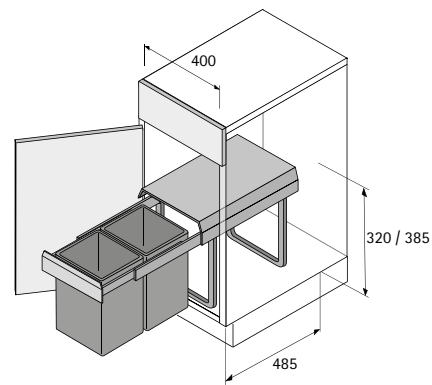


- ▶ For minimum cabinet width 400 mm
- ▶ Quick and simple bottom panel installation
- ▶ Pull-out system with full extension runner
- ▶ Frame and pull-out, steel
- ▶ Lid, plastic

Set comprises:

- ▶ 2 bins
- ▶ Complete fitting with full extension runner and lid

Article	Capacity	Width x depth x height mm	Order no.	PU
<b>1</b> Stainless steel bin / black plastic lid	 + 	338 x 485 x 385	<b>0 049 475</b>	1 set
<b>2</b> Bins with lid Plastic, grey	 + 	338 x 485 x 320	<b>0 049 472</b>	1 set





- Larder unit with integrated Silent System
- With ClickFixx fast installation system
- Contents can be accessed from both sides
- Full or partial extension runner
- Contents are clearly arranged and compactly stored
- As option for combining with the eTouch electromechanical opening system

### Center upright

- Complete with Silent System
- 400 mm height adjustable
- Suitable for cabinet widths 300 and 400 mm
- Minimum carcass depth inside 500 mm
- Pull-out and shelves / baskets must be ordered separately
- Powder coated steel brilliant white

### Set comprises:

- 1 height adjustable center upright
- 2 height adjustable front members
- 2 front holders

### Page reference:

- For pull-out fittings and soft opening, see page 105
- For Arena STYLE shelves and other accessories, see pages 107



## Height adjustable center upright

Minimum inside cabinet width mm	Inside carcass height mm	Frame height mm	Number of shelves / baskets	Order no.	PU
262	1600 - 2000	1545 - 1945	5 - 6	<b>9 117 216</b>	1 set
262	1900 - 2300	1845 - 2245	6	<b>9 117 217</b>	1 set
362	1600 - 2000	1545 - 1945	5 - 6	<b>9 117 219</b>	1 set
362	1900 - 2300	1845 - 2245	6	<b>9 117 220</b>	1 set

### Full extension runner



- Complete with Silent System
- With ClickFixx fast installation system
- For center-mounted Dispensa 90° center upright
- Load capacity 100 kg
- Drawer movement 470 mm
- Powder coated steel brilliant white

Order no.	PU
9 117 222	1 set

### Soft opening for full extension runner



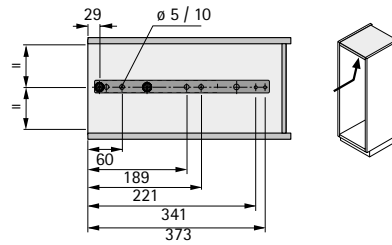
- Optional soft opening
- Simply clips onto the bottom runner
- Can be used in Dispensa full extension runners, order no. 9 117 222

Order no.	PU
9 162 402	1 set

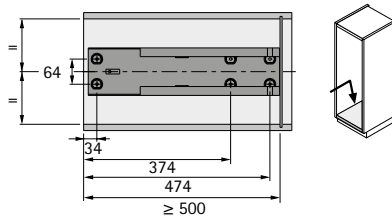
Planning dimensions

Dispensa with full-extension runner – 100 kg

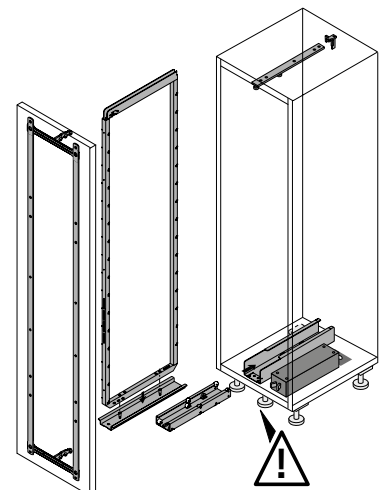
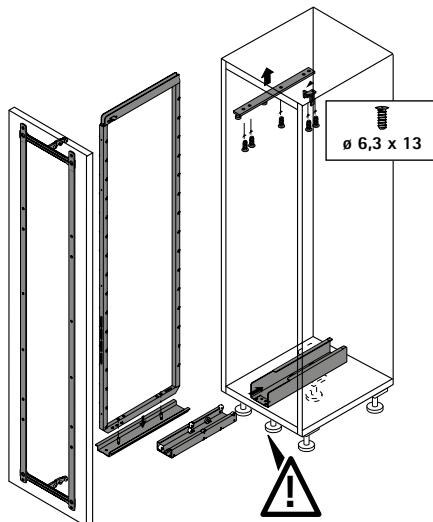
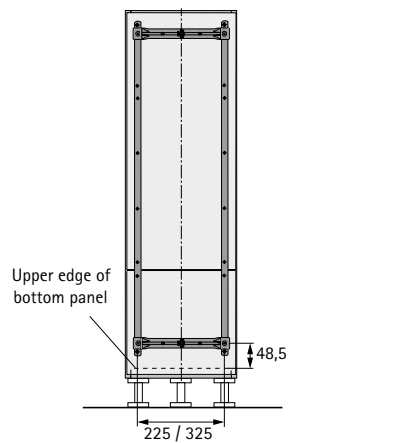
Top carcass runner



Bottom carcass runner



Front brackets / rails



## Interior fittings for larder units

- ▶ Dispensa 90°
- ▶ Accessories

### Stabiliser for frame fronts



- ▶ Required when using frame fronts
- ▶ Powder coated steel brilliant white

For carcase width mm	Order no.	PU
300	<b>9 080 055</b>	1 ea.
400	<b>9 080 059</b>	1 ea.

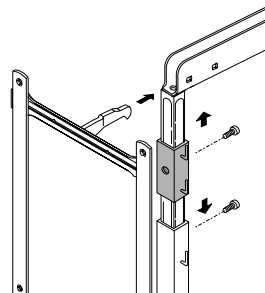
### Stabiliser



- ▶ For use in any position
- ▶ For optional use
- ▶ Powder coated steel brilliant white

Order no.	PU
<b>9 080 064</b>	1 ea.

### Basket holder for height adjustable center upright



- ▶ Optimum use of the space available in the adjusting range of the center upright
- ▶ Height 125 mm
- ▶ Powder coated steel brilliant white

- Set comprises:
- ▶ 2 basket holders

Order no.	PU
<b>9 080 073</b>	1 set

### Arena STYLE non-slip clip on shelves



- ▶ For hook in assembly in the center upright
- ▶ Wooden shelf, melamine resin coated, white, with non-slip special coating
- ▶ Railing chrome plated steel

For carcase width mm	Width x depth x height mm	Order no.	PU
300	250 x 462 x 93	<b>9 080 084</b>	1 ea.
400	350 x 462 x 93	<b>9 080 089</b>	1 ea.



## ► Pull-out pantry set



- Pull-out pantry with integrated Silent System
- Contents can be accessed from both sides
- Full extension runner
- Contents are clearly arranged and compactly stored
- Load capacity 120 kg

Height adjustable center upright with front brackets / rails

- Complete with Silent System soft closure
- Height adjustable
- Suitable for cabinet widths 300, 400, 500 and 600 mm
- Minimum inside carcass depth 500 mm
- Steel, powder-coated silver

Set comprises:

- 2 full extension runners, silver
- 1 height adjustable centre upright
- 2 front brackets
- Baskets and supports

Cabinet width mm	Interior cabinet width mm	Interior cabinet height mm	Number of baskets	Order no.	PU
300	260	1900 - 2300	5	<b>9 162 182</b>	1 set
400	360	1900 - 2300	5	<b>9 162 183</b>	1 set
500	460	1900 - 2300	5	<b>9 162 184</b>	1 set
600	560	1600 - 2000	4	<b>9 162 185</b>	1 set

## Additional basket



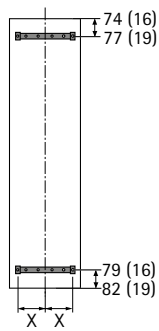
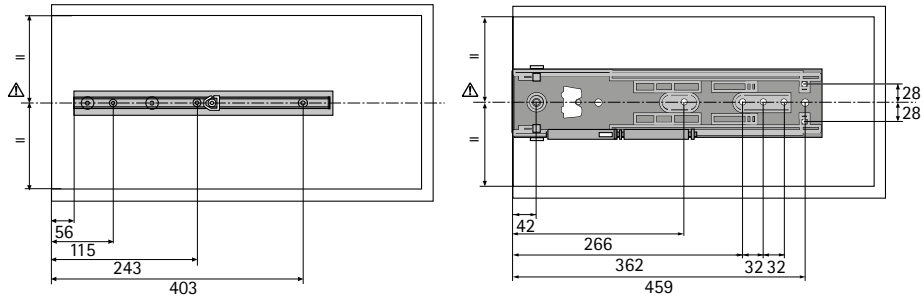
- Chrome-plated steel

Cabinet width mm	Width x depth x height mm	Order no.	PU
300	250 x 480 x 95	<b>9 162 186</b>	1 ea.
400	350 x 480 x 95	<b>9 162 187</b>	1 ea.
500	450 x 480 x 95	<b>9 162 188</b>	1 ea.
600	550 x 480 x 95	<b>9 162 189</b>	1 ea.



- ▶ Pull-out pantry set
- ▶ Assembly

## Planning dimensions



Cabinet width mm	Dim. X mm
300	114,5
350	114,5
400	164,5
450	189,5
500	189,5
600	189,5

## ► Dispensa Duo



- Swivelling pull-out for larder units, complete with Silent System
- Door and pull-out shelf ensure full use of the space available
- The pull-out shelf is pulled forwards when the door is opened
- Creates enormous storage space and well arranged storage unit
- Direct access to everything in the cupboard
- Can also be used for 2-door larder units (900, 1000 and 1200 mm) without centre panel



### Pull-out frame



- Complete with top and bottom guide and pull-out mechanism
- Complete with Silent System
- For use in left-hand and right-hand units
- Cabinet width 450, 500 and 600 mm
- Load capacity 50 kg
- Minimum carcass depth inside 500 mm
- Door shelf and matching shelves / baskets must be ordered separately
- Powder coated steel brilliant white

Set comprises:

- 1 pull-out frame
- 1 pull-out mechanism incl. guides

Page reference:

- For door shelf and shelves, see page 111

For cabinet width mm	For inside carcass width mm	Minimum inside carcass height mm	Number of shelves / baskets	Order no.	PU
450	412 - 418	1700	6	<b>9 080 080</b>	1 set
500	462 - 468	1700	6	<b>9 080 106</b>	1 set
600	562 - 568	1700	6	<b>9 080 122</b>	1 set

### Arena STYLE door shelf



- For use on left or right door
- Cabinet width 450, 500 and 600 mm
- Load capacity 20 kg (cabinet width 450 / 500 mm) or 25 kg (cabinet width 600 mm)
- Steel

Set comprises:

- 1 door shelf
- Fixing material

For cabinet width mm	For inside carcass width mm	Minimum inside carcass height mm	Order no.	PU
450	412 - 418	1700 (6 boards)	<b>9 079 864</b>	1 set
500	462 - 468	1700 (6 boards)	<b>9 079 868</b>	1 set
600	562 - 568	1700 (6 boards)	<b>9 079 892</b>	1 set

### Arena STYLE non-slip clip on shelves

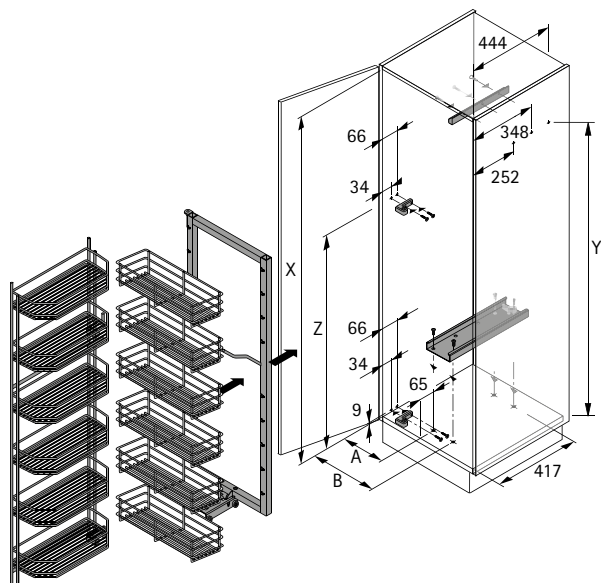


- For for hook in assembly in the pull-out frame
- Wooden shelf, melamine resin coated, white, with non-slip special coating
- Railing chrome plated steel

For cabinet width mm	W x D x H mm	Order no.	PU
450	383 x 275 x 75	<b>9 080 150</b>	1 ea.
500	433 x 275 x 75	<b>9 080 152</b>	1 ea.
600	518 x 275 x 75	<b>9 080 154</b>	1 ea.



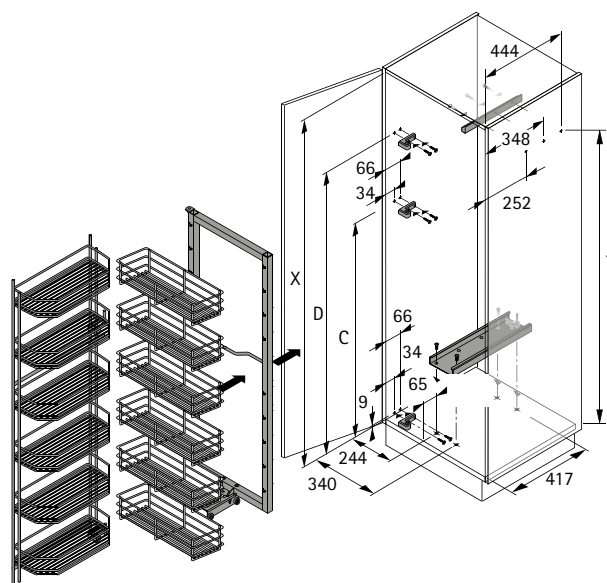
### Cabinet widths 450 und 500 mm



Dim. X mm	Dim. Y mm
1700	1675

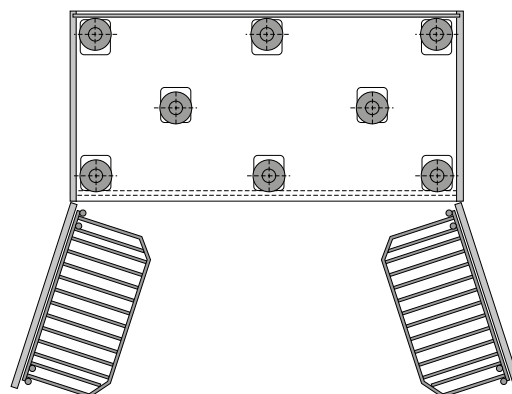
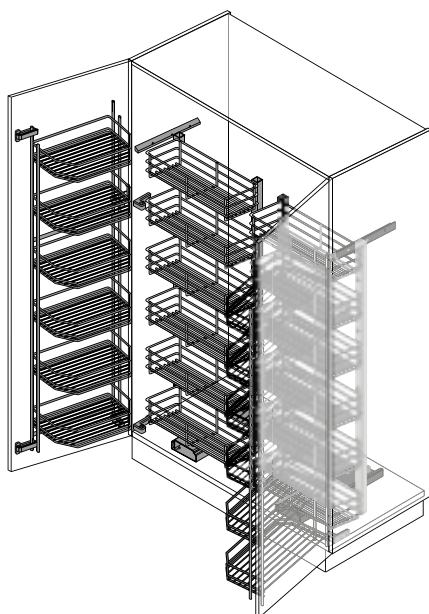
Cabinet width mm	Dim. A mm	Dim. B mm	Dim. Z mm
450	169	265	625
500	194	290	1225

### Cabinet width 600 mm



Dim. X mm	Dim. Y mm	Dim. C mm	Dim. D mm
1700	1675	1225	1415

### Planning instructions



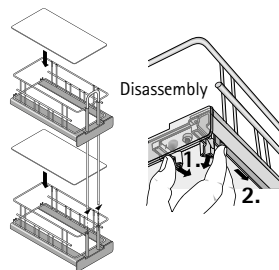
# Wall unit interior fittings

- ▶ Cargo IQ Plus, 90° internal pot-and-pan drawer
- ▶ 2-tier



- ▶ Suitable for use on left or right
- ▶ Load capacity 10 kg
- ▶ Minimum inside carcass dimensions:  
Width 148 mm  
Depth 290 mm  
Height 548 mm
- ▶ Top basket height adjustable
- ▶ Please order Quadro V6 full extension runner with Silent System and shelf separately, see below
- ▶ Steel

## Cargo IQ Plus 90°



- ▶ Inside basket width 105 mm
- ▶ Plastic shelves

Article	Finish	Order no.	PU
Cargo IQ plus 90°	Chrome plated	<b>9 077 616</b>	1/10 ea.
Shelf	Translucent	<b>9 066 464</b>	1/40 ea.

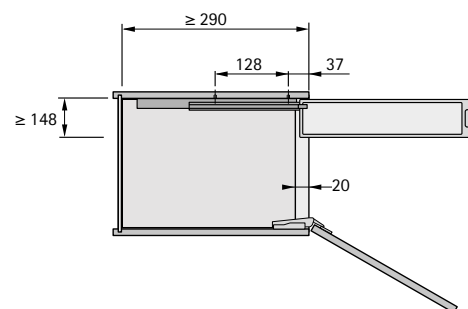
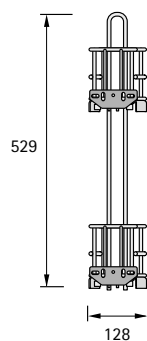
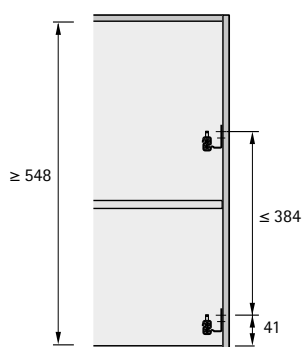
## Quadro V6 full extension runner with Silent System

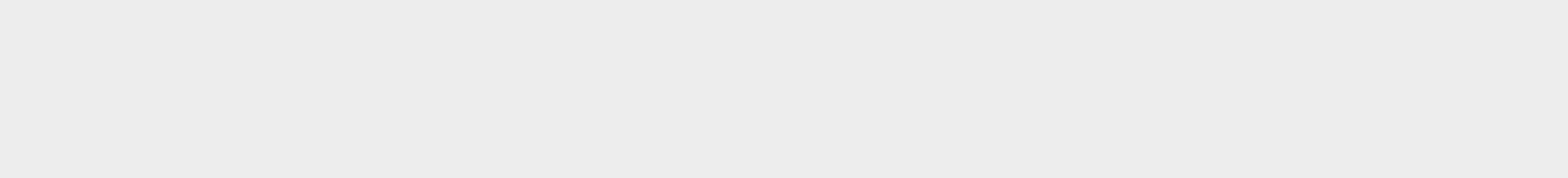


- ▶ Nominal length 260 mm
- ▶ Galvanised steel

Installed width mm	Carcass side thickness mm	Order no. / Hinge side of cabinet		PU
		left	right	
12.5	16	<b>9 118 019</b>	<b>9 118 020</b>	1/20 ea.

## Planning dimensions





# Interior fittings for wardrobes

## ► Summary



**Garment lifts**

**116 - 117**



**Wardrobe rails / wardrobe rail supports**

**118 - 120**



**Telescopic trouser holders / tie and belt rack**

**121**

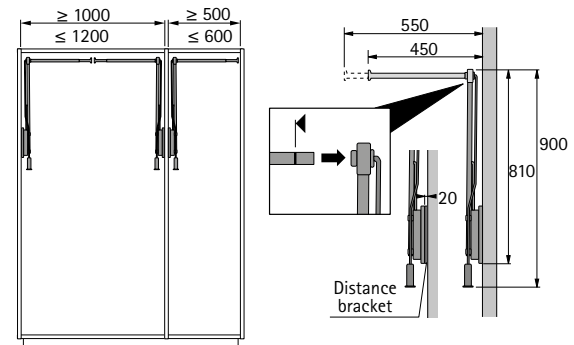
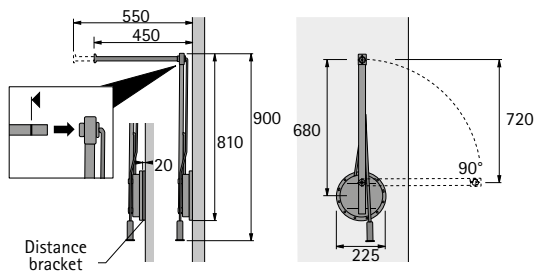
- ▶ **Garment lifts**
- ▶ **Single Lift 12, Duo Lift 10**

## Single Lift 12



- ▶ Connection on one side
- ▶ Load capacity 12 kg
- ▶ Telescopic width adjustment 100 mm
- ▶ Detent engages when swivelled out into position
- ▶ Garment rail, chrome plated steel
- ▶ Housing, pivot arm and spacer  
Plastic / steel, aluminium look

Article	Order no.	PU
Single Lift 12, left	<b>9 079 872</b>	1 ea.
Single Lift 12, right	<b>9 079 874</b>	1 ea.

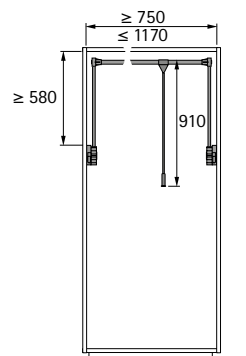
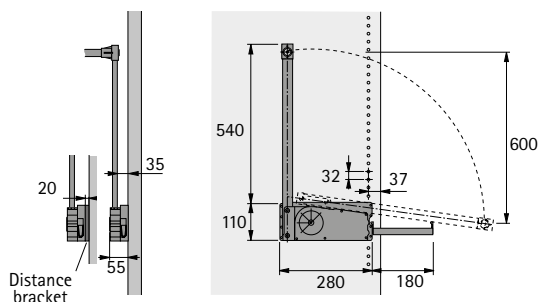


## Duo Lift 10



- ▶ Connection on both sides
- ▶ Load capacity 10 kg
- ▶ Telescopic width adjustment for inside carcase widths of 750 - 1170 mm
- ▶ Additional telescopic garment rail integrated in right-hand housing
- ▶ Installation in System 32
- ▶ Garment rail, chrome plated steel
- ▶ Housing, pivot arm and spacer  
Plastic / steel, aluminium look

Article	Order no.	PU
Duo Lift 10	<b>9 079 878</b>	1 ea.





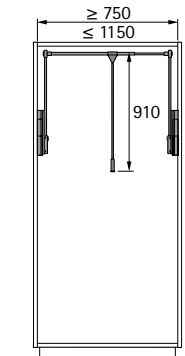
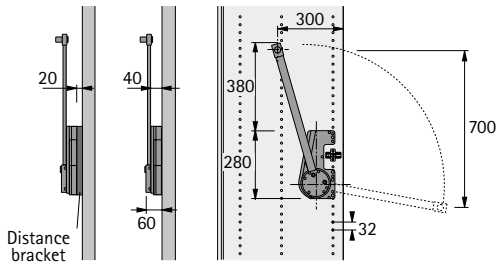
- ▶ Garment lifts
- ▶ Duo Lift 15, Duo Lift 18

## Duo Lift 15



- ▶ Connection on both sides
- ▶ Load capacity 15 kg
- ▶ Telescopic width adjustment for inside carcase widths of 750 - 1150 mm
- ▶ Installation in System 32
- ▶ Special spacing in the housing also permits installation in the area of existing door hinges
- ▶ Garment rail, chrome plated steel
- ▶ Housing, pivot arm and spacer  
Plastic / steel, aluminium look

Article	Order no.	PU
Duo Lift 15	<b>0 042 507</b>	1 ea.

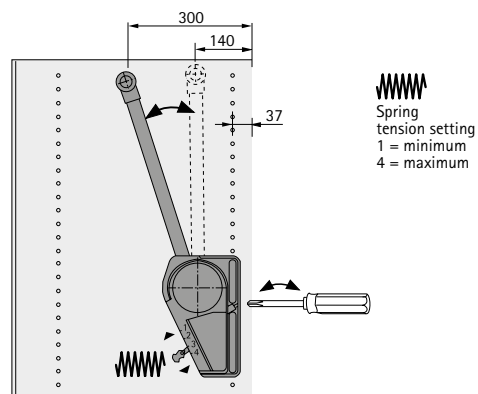
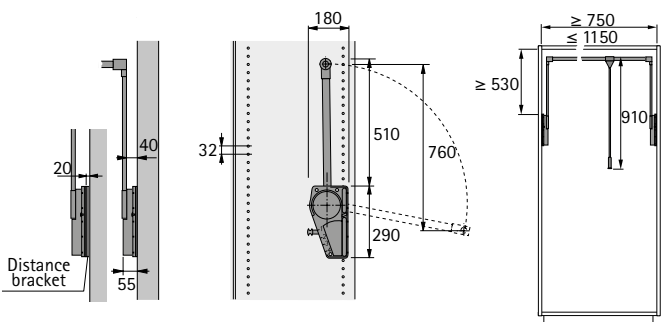


## Duo Lift 18



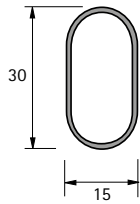
- ▶ Connection on both sides
- ▶ Load capacity 12 - 18 kg
- ▶ Telescopic width adjustment for inside carcase widths of 750 - 1150 mm
- ▶ Installation in System 32
- ▶ Spring force adjustment in 4 stages
- ▶ Garment rail, chrome plated steel
- ▶ Housing, pivot arm and spacer  
Plastic / steel, aluminium look

Article	Order no.	PU
Duo Lift 18	<b>9 079 882</b>	1 ea.



## ► Oval wardrobe rails / wardrobe rail supports

### Oval wardrobe rail, nickel plated



- Length 3000 mm
- Material 0.6 mm thick
- Matt nickel plated steel

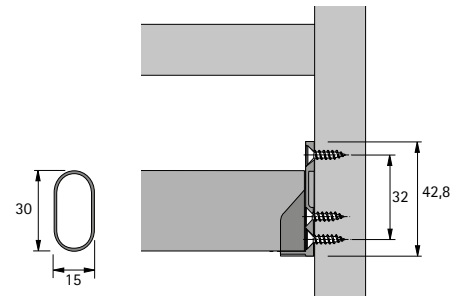
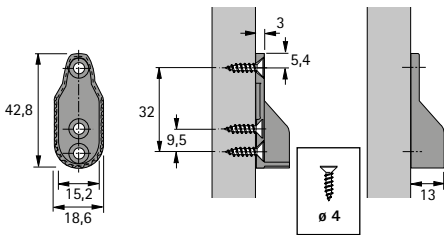
Order no.	PU
9 002 176	20 ea.

### SL 322 wardrobe rail supports



- For screwing on with 3 screw holes
- Hole spacing 32 mm
- Zinc die-cast nickel plated

Order no.	PU
0 070 664	1/50 ea.



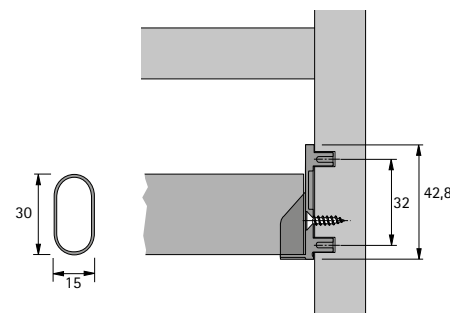
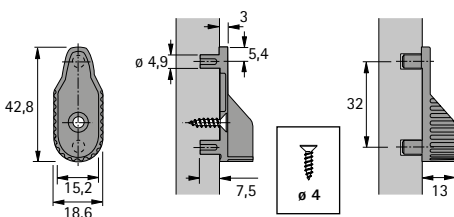
wardrobe rail length = internal cabinet width – 7 mm

### SL 323 wardrobe rail supports



- For pressing in with 2 pins for drilling diameter of 5 mm
- Distance between pins 32 mm
- 1 additional screw hole
- Zinc die-cast nickel plated

Order no.	PU
0 070 666	1/50 ea.



wardrobe rail length = internal cabinet width – 7 mm

# Interior fittings for wardrobes

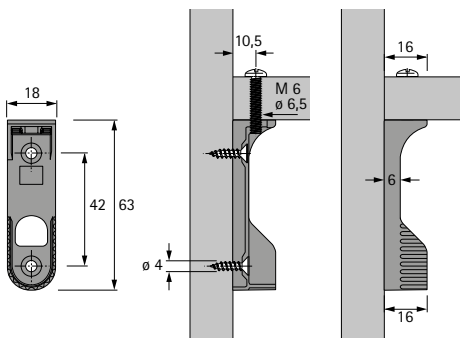
## ▶ Wardrobe rail supports

### SL 786 wardrobe rail supports

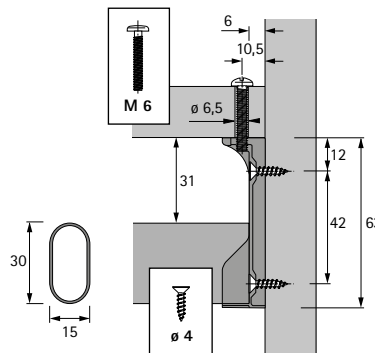


- ▶ Screw in below the shelf
- ▶ With special screw M6 x 25 mm for a maximum shelf thickness of 19 mm
- ▶ 2 additional screw holes for attachment at the side
- ▶ Zinc die-cast nickel plated

Order no.	PU
0 070 668	1/50 ea.



wardrobe rail length = internal cabinet width - 13 mm

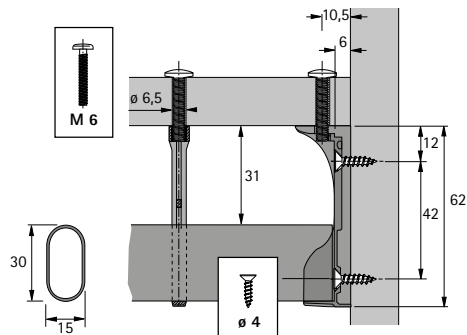
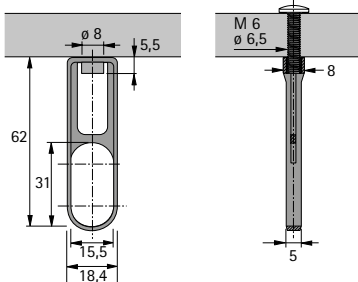


### SL 781 wardrobe rail center bearing



- ▶ Screw in below the shelf
- ▶ With special screw M6 x 25 mm for a maximum shelf thickness of 19 mm
- ▶ Zinc die-cast nickel plated

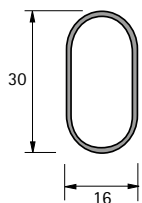
Order no.	PU
0 070 676	1/10 ea.



wardrobe rail length = internal cabinet width - 13 mm

## ▶ Wardrobe rails

### Oval wardrobe rail, aluminium clear anodized



- ▶ Oval profile 30 x 16 mm
- ▶ Length 3600 mm
- ▶ Aluminium clear anodized

<b>Order no.</b>	PU
<b>0 048 999</b>	5 ea.

### Round wardrobe rail, polished chrome



- ▶ Round profile, diameter 25 mm
- ▶ Length 3600 mm
- ▶ Polished chrome

<b>Order no.</b>	PU
<b>0 049 488</b>	5 ea.

### End flange round for round tube



- ▶ With 3 holes for screw fixing
- ▶ 2/pk polished chrome

<b>Order no.</b>	PU
<b>0 049 493</b>	50 ea.

### Telescopic trouser holder



- For installation on carcass side
- Fitting usable right or left
- With 10 swivelling holders with non-slip coating
- Width 465 mm
- Depth 505 mm
- Height 100 mm
- Steel, chrome plated / powder coated silver

Order no.	PU
0 073 587	1 ea.

### Telescopic tie and belt rack



- For installation on carcass side
- Fitting usable right or left
- Including fixing material and spacer to compensate for door protrusion
- Chrome plated steel / grey plastic

Article	Width x depth x height mm	Order no.	PU
With 9 non-slip holders and 5 brackets	455 x 74 (without spacer) x 118	0 070 660	1 ea.

# Order number index

Order no.	Page	Order no.	Page	Order no.	Page	Order no.	Page
0 010 921	11	0 044 922	46	0 048 982	52	1 005 109	66
0 013 129	69	0 044 923	46	0 048 983	52	1 005 508	74
0 013 223	14	0 044 924	46	0 048 984	52	1 006 580	75
0 013 239	12	0 046 642	67	0 048 985	52	1 007 403	73
0 013 890	92	0 046 695	48	0 048 986	52	1 018 324	69
0 013 952	48	0 046 942	74	0 048 987	52	1 019 470	60
0 013 962	58	0 046 943	74	0 048 988	52	1 019 482	61
0 016 179	13	0 046 944	74	0 048 989	52	1 019 618	72
0 016 180	67	0 046 945	74	0 048 990	52	1 019 619	72
0 016 181	67	0 046 946	74	0 048 992	52	1 028 024	66
0 020 157	59	0 046 953	74	0 048 994	52	1 054 519	66
0 020 782	68	0 046 954	74	0 048 999	120	1 056 058	42
0 022 737	67	0 046 955	74	0 049 086	100	1 056 063	42
0 024 832	65	0 046 956	74	0 049 087	100	1 056 068	42
0 025 084	64	0 046 982	73	0 049 235	101	1 056 073	42
0 025 090	67	0 047 262	53	0 049 472	103	1 071 891	35
0 025 100	67	0 047 451	74	0 049 475	103	1 071 893	35
0 025 197	65	0 047 452	74	0 049 488	120	1 071 894	35
0 030 125	51	0 047 609	68	0 049 493	120	1 071 895	35
0 040 006	74	0 048 100	70	0 063 549	69	1 071 896	35
0 040 008	74	0 048 110	71	0 063 598	69	1 071 897	35
0 040 145	53	0 048 120	71	0 065 501	60	1 071 898	35
0 040 721	11	0 048 130	71	0 065 511	60	1 071 899	35
0 041 358	36	0 048 140	70	0 065 517	61	1 071 900	35
0 041 359	36	0 048 150	70	0 070 660	121	1 161 029	74
0 041 361	36	0 048 230	47	0 070 664	118	1 161 030	74
0 041 362	36	0 048 679	97	0 070 666	118	1 161 031	74
0 041 363	36	0 048 692	75	0 070 668	119	1 161 046	73
0 041 364	36	0 048 698	75	0 070 670	50	1 161 457	20
0 041 365	36	0 048 727	43	0 070 671	50	1 161 457	25
0 041 393	37	0 048 728	43	0 070 676	119	1 161 836	71
0 041 394	37	0 048 729	43	0 072 053	63	9 002 176	118
0 041 395	37	0 048 730	43	0 073 504	91	9 021 847	62
0 041 396	37	0 048 751	47	0 073 505	91	9 022 370	62
0 041 397	37	0 048 752	47	0 073 506	92	9 046 180	58
0 041 398	37	0 048 754	47	0 073 549	101	9 046 182	58
0 041 657	43	0 048 761	47	0 073 587	121	9 047 861	58
0 041 659	43	0 048 762	47	0 073 615	68	9 047 863	58
0 041 661	43	0 048 763	47	0 074 805	68	9 065 857	83
0 041 663	43	0 048 769	47	0 079 389	11	9 065 860	84
0 041 665	43	0 048 789	101	0 079 392	10	9 065 861	83
0 041 667	43	0 048 935	102	0 079 462	58	9 065 862	84
0 041 669	43	0 048 936	102	0 079 665	65	9 066 464	113
0 041 671	43	0 048 976	51	0 086 774	44	9 068 958	34
0 042 507	117	0 048 977	51	0 086 776	44	9 068 961	34
0 044 918	46	0 048 978	51	0 086 778	44	9 068 962	34
0 044 919	46	0 048 980	52	0 086 781	44	9 068 963	34
0 044 921	46	0 048 981	52	0 086 783	44	9 068 964	34

# Order number index

Order no.	Page	Order no.	Page	Order no.	Page	Order no.	Page
9 068 965	34	9 084 794	28	9 132 399	94	9 162 203	99
9 068 966	34	9 086 714	26	9 132 400	94	9 162 402	105
9 077 588	82	9 097 922	26	9 132 437	88		
9 077 601	82	9 097 923	24	9 132 478	88		
9 077 616	113	9 100 852	22	9 132 479	88		
9 078 139	23	9 102 252	73	9 132 480	88		
9 079 682	80	9 105 850	28	9 132 546	94		
9 079 714	80	9 106 449	24	9 132 547	94		
9 079 755	81	9 109 834	29	9 132 548	94		
9 079 803	81	9 114 271	32	9 134 769	26		
9 079 804	81	9 114 273	32	9 136 151	93		
9 079 864	111	9 114 274	32	9 136 152	93		
9 079 868	111	9 114 275	32	9 136 153	93		
9 079 872	116	9 114 276	32	9 136 154	93		
9 079 874	116	9 114 277	32	9 136 155	93		
9 079 878	116	9 114 278	32	9 136 156	93		
9 079 882	117	9 114 279	32	9 136 157	93		
9 079 892	111	9 114 281	33	9 136 158	93		
9 079 944	27	9 114 282	33	9 136 159	93		
9 080 006	91	9 114 283	33	9 136 160	93		
9 080 007	91	9 114 284	33	9 136 171	93		
9 080 011	91	9 114 285	33	9 136 172	93		
9 080 040	96	9 114 286	33	9 154 066	94		
9 080 043	97	9 114 288	33	9 154 067	94		
9 080 055	107	9 114 548	38	9 154 088	94		
9 080 059	107	9 114 553	38	9 154 090	94		
9 080 064	107	9 114 554	38	9 154 091	94		
9 080 073	107	9 114 555	38	9 154 092	94		
9 080 080	110	9 114 557	38	9 154 093	94		
9 080 084	107	9 114 558	38	9 154 094	94		
9 080 089	107	9 114 559	38	9 154 095	94		
9 080 106	110	9 114 560	38	9 154 096	94		
9 080 122	110	9 117 216	104	9 154 097	94		
9 080 150	111	9 117 217	104	9 154 098	94		
9 080 152	111	9 117 219	104	9 162 129	85		
9 080 154	111	9 117 220	104	9 162 130	86		
9 080 157	81	9 117 222	105	9 162 181	87		
9 080 172	80	9 118 019	113	9 162 182	108		
9 082 353	22	9 118 020	113	9 162 183	108		
9 082 356	22	9 118 054	82	9 162 184	108		
9 082 357	22	9 118 054	83	9 162 185	108		
9 082 358	23	9 118 054	84	9 162 186	108		
9 082 360	24	9 118 054	89	9 162 187	108		
9 082 362	24	9 118 055	82	9 162 188	108		
9 082 363	25	9 118 055	83	9 162 189	108		
9 082 364	25	9 118 055	84	9 162 190	99		
9 082 365	27	9 118 055	89	9 162 201	99		
9 084 790	28	9 125 365	20	9 162 202	99		

# Technical information/legal notice

## **General technical conditions**

The fitting information, screw fixing points and load capacity information contained in this catalogue assume proper attachment using screws specified by Hettich to a chipboard panel providing a screw pull out resistance of at least 1,000 N in accordance with EN 320.

Hettich accepts no responsibility for the load capacity of furniture and its components if materials or fastening methods are used other than those stated; the furniture manufacturer must verify load capacity.

The fitting situations shown in this catalogue are only intended to illustrate the possible options.

The furniture manufacturer is responsible for ensuring that furniture is designed in compliance with standards, in particular with regard to meeting the requirements on safety.

We will be pleased to provide any further information you may require.

## **General Terms of Sale and Delivery**

All products and services will be provided exclusively on the basis of our General Terms of Sale and Delivery published on our website at [www.hettich-agb.com](http://www.hettich-agb.com).

## **Legal notice**

© Hettich Marketing- und Vertriebs GmbH & Co. KG  
32278 Kirchlengern · Germany

May 2018

We reserve all rights to this catalogue under copyright law. It shall not be permissible to duplicate this catalogue in any form either in whole or in part without our written consent. Subject to technical alterations. Errors and omissions excepted. Subject to colour variations.

Order no. 9254 791



Flap fittings 8 - 17

Easys electromechanical opening system 18 - 29

Drawer runners for wooden drawers 30 - 48

Locking systems 49 - 53

Connecting technology 54 - 75

Cabinet interiors 76 - 121

Order number index 122 - 123

[www.hettich.com](http://www.hettich.com)

Order no.: 9 254 791  
1802-028\_HAU-Accessories\_2018\_HAU/en

Technik für Möbel

  
**Hettich**